



US00D338554S

United States Patent [19]

[11] Patent Number: **Des. 338,554**

Davey

[45] Date of Patent: **** Aug. 24, 1993**

[54] THREAD ORGANIZER

D. 70,890 8/1926 Olson D3/25

[76] Inventor: **Ardell D. Davey**, P.O. Box 6 440 W.
8th St., Browerville, Minn. 56438

FOREIGN PATENT DOCUMENTS

552204 4/1923 France D3/25

[**] Term: **14 Years**

Primary Examiner—Louis S. Zarfes
Attorney, Agent, or Firm—Leon Gilden

[21] Appl. No.: **664,969**

[57] CLAIM

[22] Filed: **Mar. 5, 1991**

The ornamental design for a thread organizer, as shown and described.

[52] U.S. Cl. **D3/25; D3/27**

[58] Field of Search **D3/18, 20, 23-25,
D3/27; 223/106-109 A, 120; 38/102.2;
66/116-118**

DESCRIPTION

[56] References Cited

U.S. PATENT DOCUMENTS

D. 32,862	6/1900	Poinsett	D3/25 X
D. 34,090	2/1901	Violette	D3/27
D. 39,515	9/1908	Simmons	D3/25
40,229	8/1909	Giles	D3/25
70,825	11/1867	Fletcher	D3/25 X

FIG. 1 is a front elevational view of the thread organizer showing my new design;
 FIG. 2 is a rear elevational view thereof;
 FIG. 3 is a left side elevational view thereof;
 FIG. 4 is a right side elevational view thereof;
 FIG. 5 is a top plan view thereof;
 FIG. 6 is a bottom plan view thereof; and,
 FIG. 7 is a perspective view thereof.

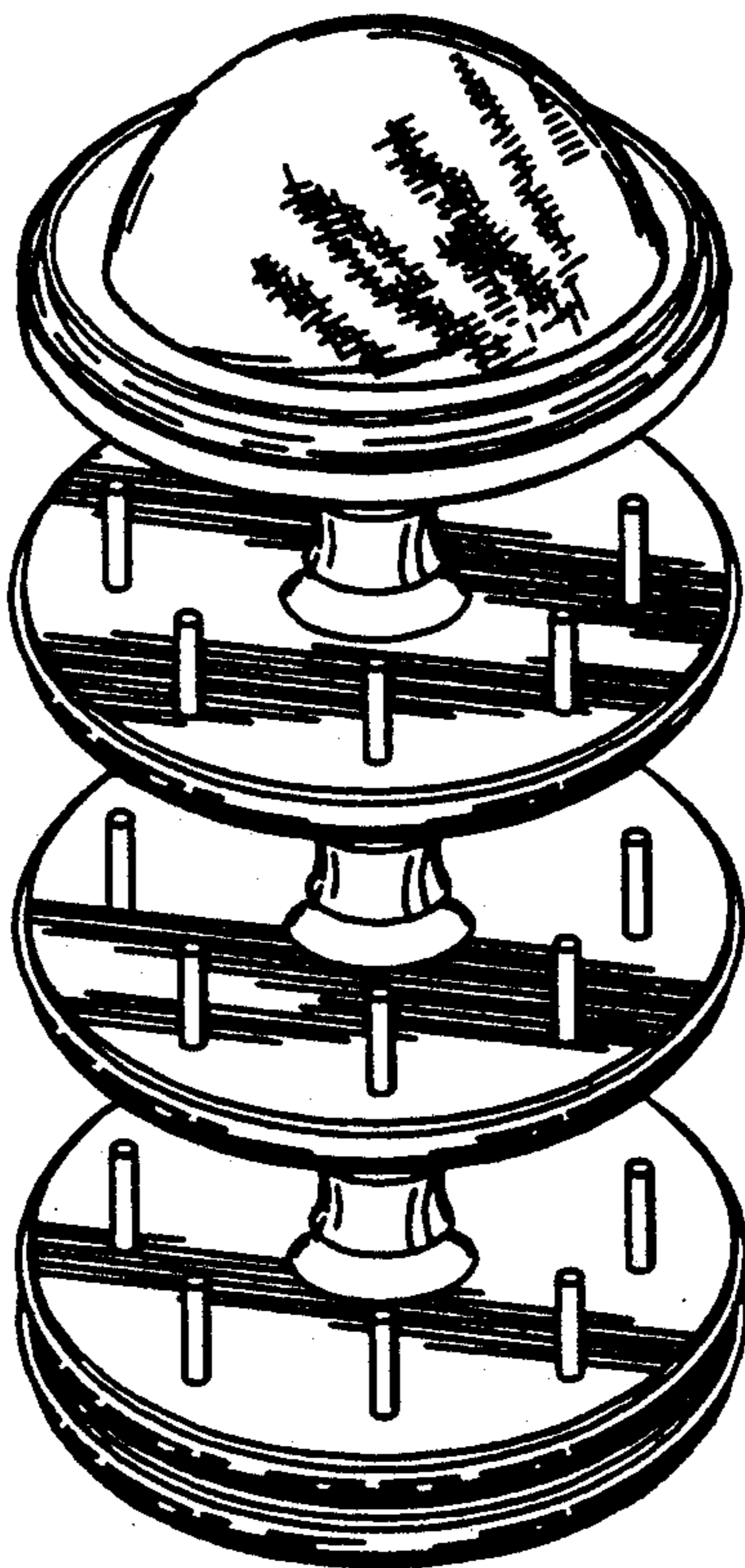


FIG. 1

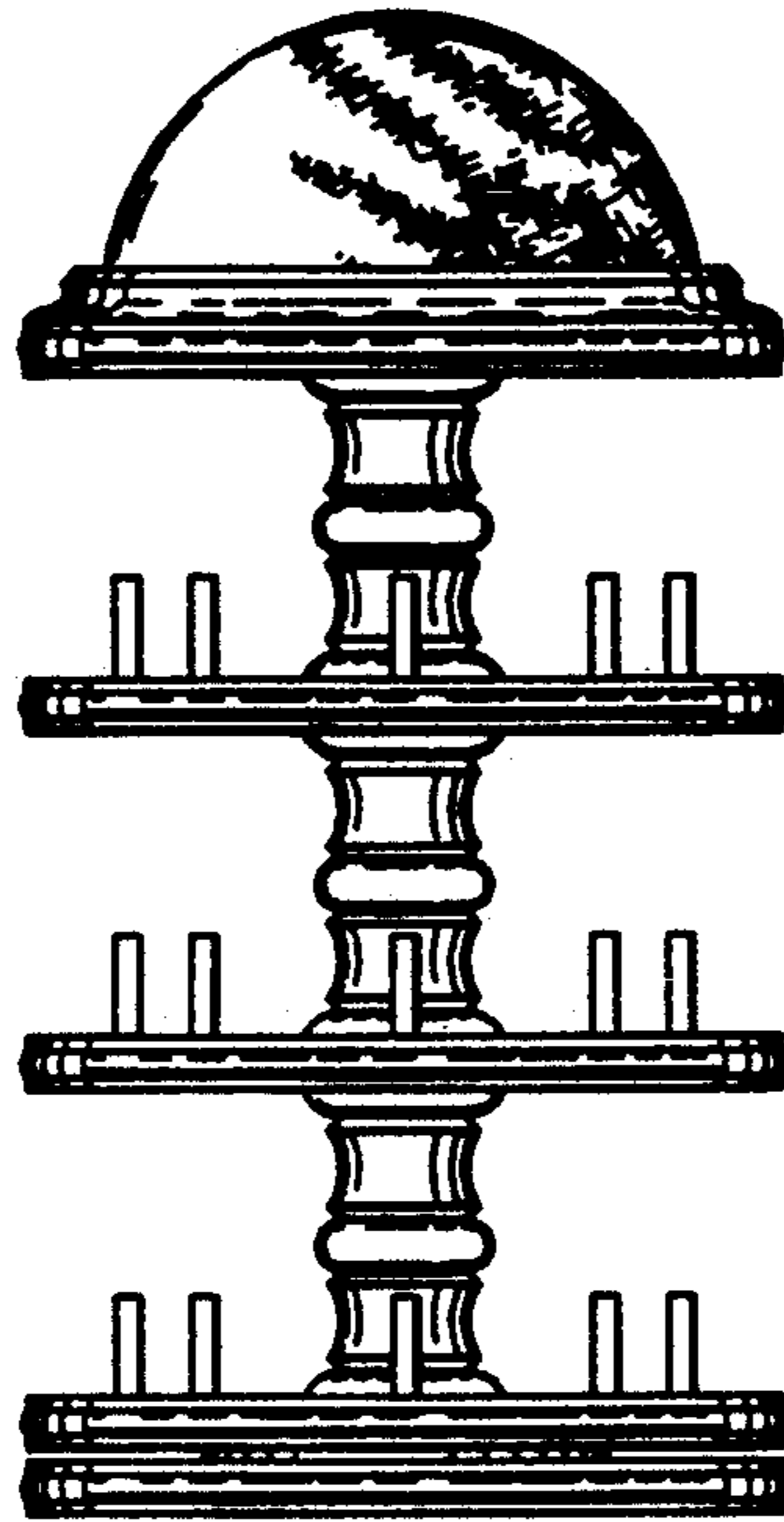


FIG. 2

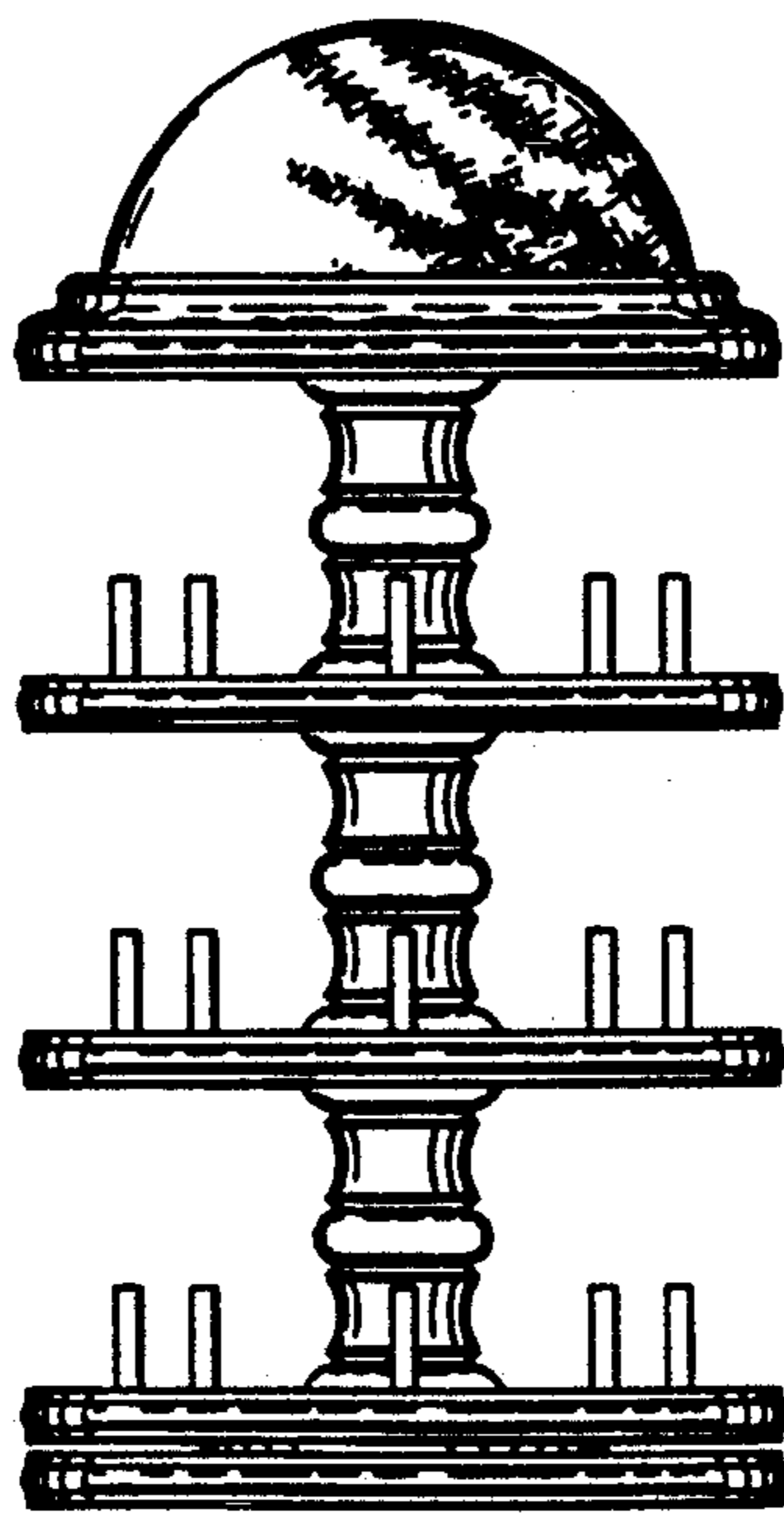


FIG. 3

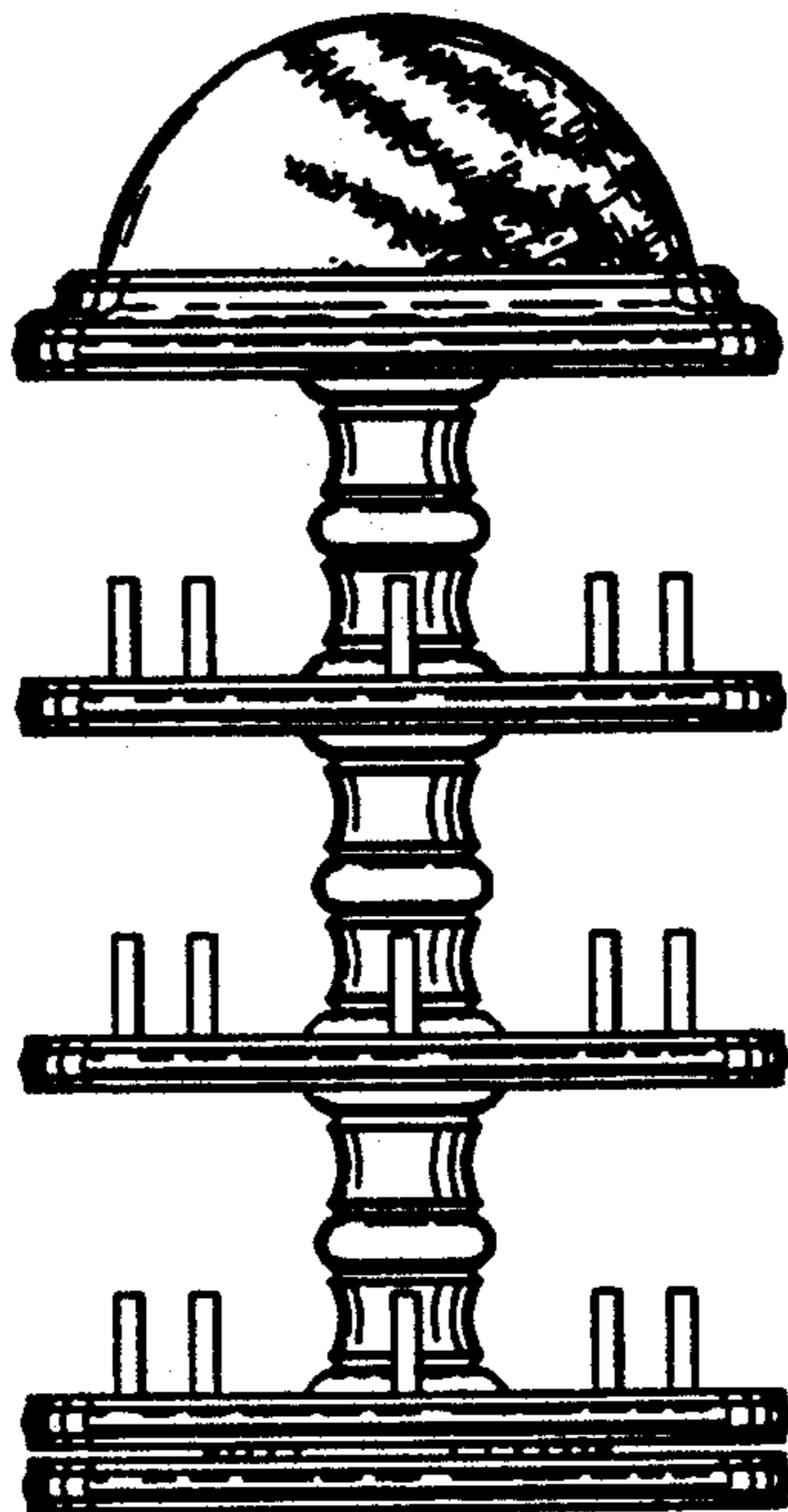


FIG. 4

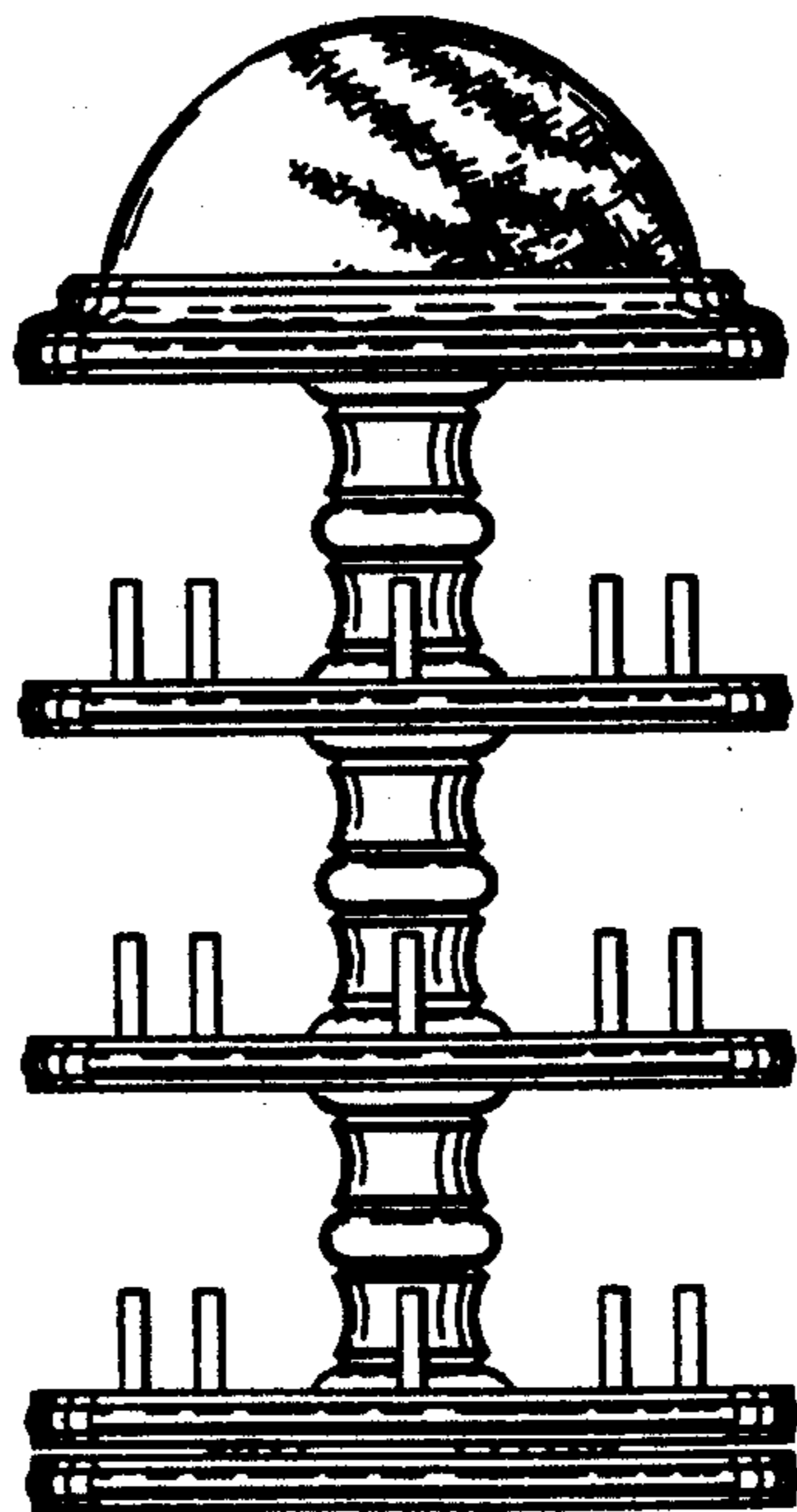


FIG. 5



FIG. 6

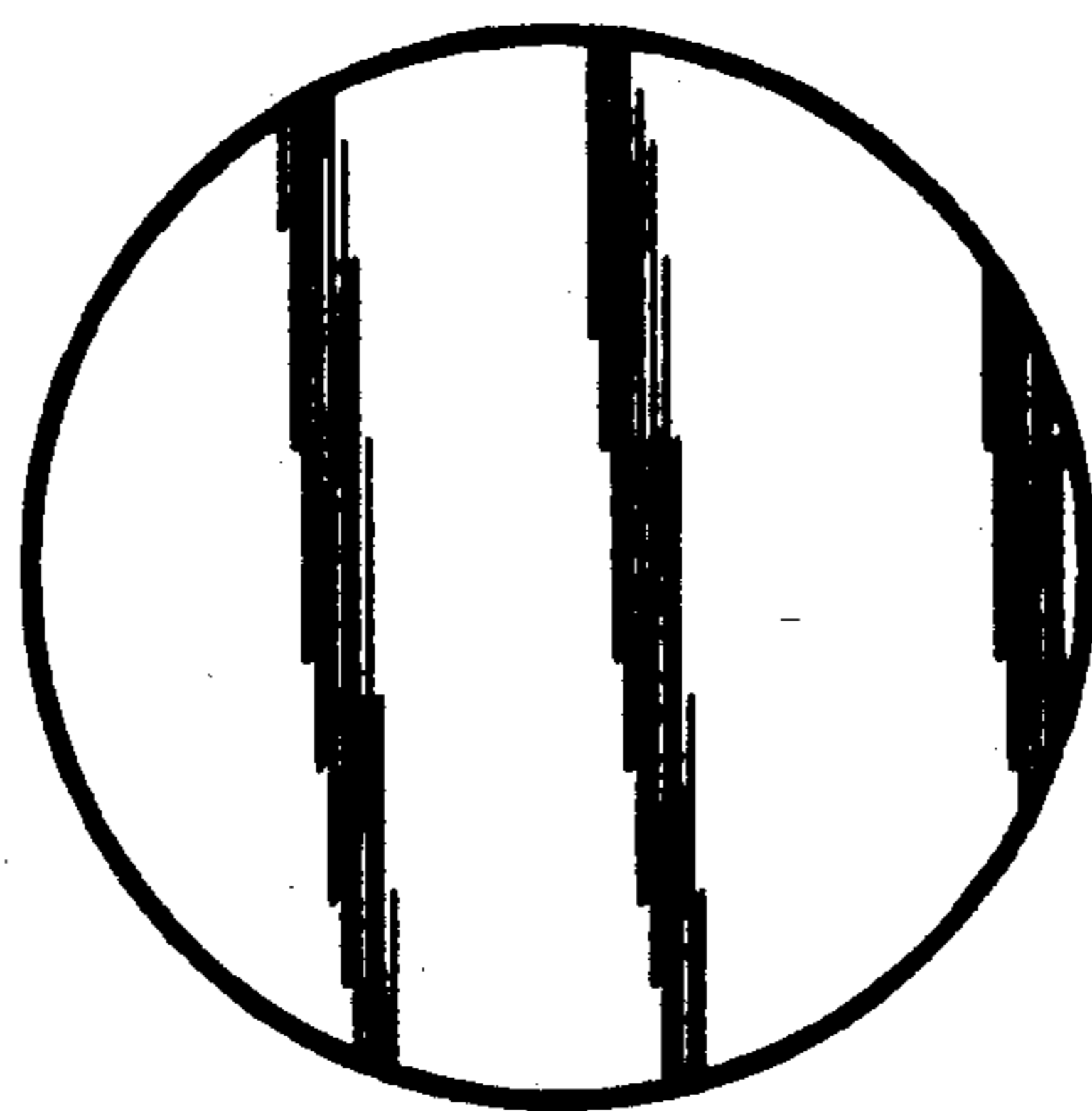


FIG. 7

