



US00D338542S

United States Patent [19]

[11] Patent Number: **Des. 338,542**

Yuen

[45] Date of Patent: **** Aug. 17, 1993**

[54] MULTI-PURPOSE LANTERN

[75] Inventor: **John S. Yuen, Kowloon, Hong Kong**

[73] Assignee: **John Manufacturing Limited, Hong Kong, Hong Kong**

[**] Term: **14 Years**

[21] Appl. No.: **758,970**

[22] Filed: **Sep. 13, 1991**

[30] Foreign Application Priority Data

Mar. 14, 1991 [GB] United Kingdom 2013590

[52] U.S. Cl. **D26/42; D26/44**

[58] Field of Search **D26/37-50; 362/157, 158, 183-191, 196, 197, 198, 199, 200, 202, 205**

[56] References Cited

U.S. PATENT DOCUMENTS

- D. 304,089 10/1989 Wan D26/42
- D. 328,501 8/1992 Yuen D26/42
- D. 329,504 9/1992 Yuen D26/42

FOREIGN PATENT DOCUMENTS

- 2207195 5/1990 United Kingdom .
- 2248292 9/1990 United Kingdom .

Primary Examiner—Susan J. Lucas
Attorney, Agent, or Firm—Fay, Sharpe, Beall, Fagan, Minnich & McKee

[57] CLAIM

The ornamental design for a multi-purpose lantern, as shown and described.

DESCRIPTION

FIG. 1 is a perspective view from front, left side and above of a multi-purpose lantern showing my new design;

FIG. 2 is a front elevational view thereof;

FIG. 3 is a rear elevational view thereof;

FIG. 4 is a right side elevational thereof;

FIG. 5 is an left side elevational view thereof;

FIG. 6 is a top plan view thereof;

FIG. 7 is a bottom plan view thereof; and,

FIG. 8 is a left side elevational view showing part in an alternative position.

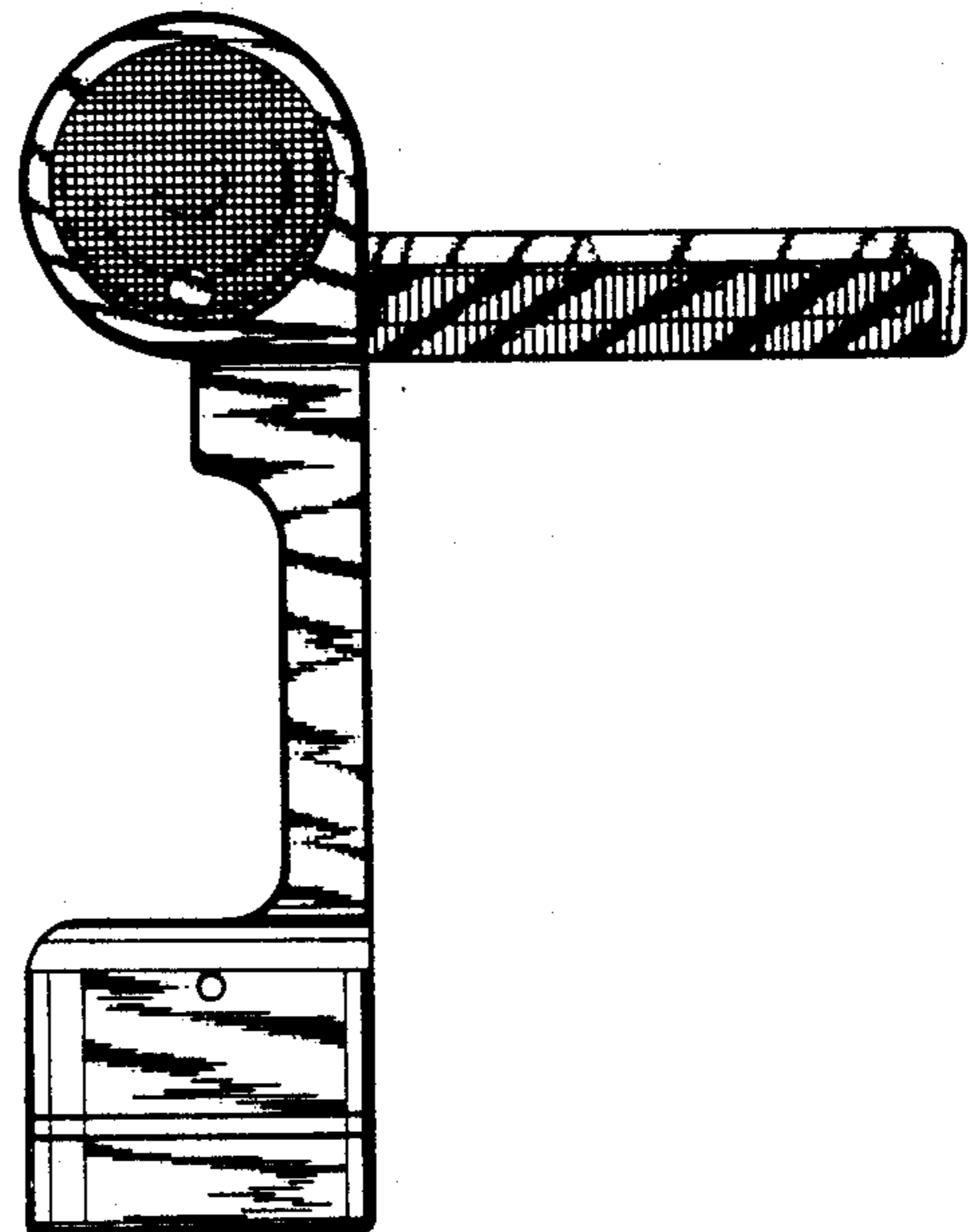
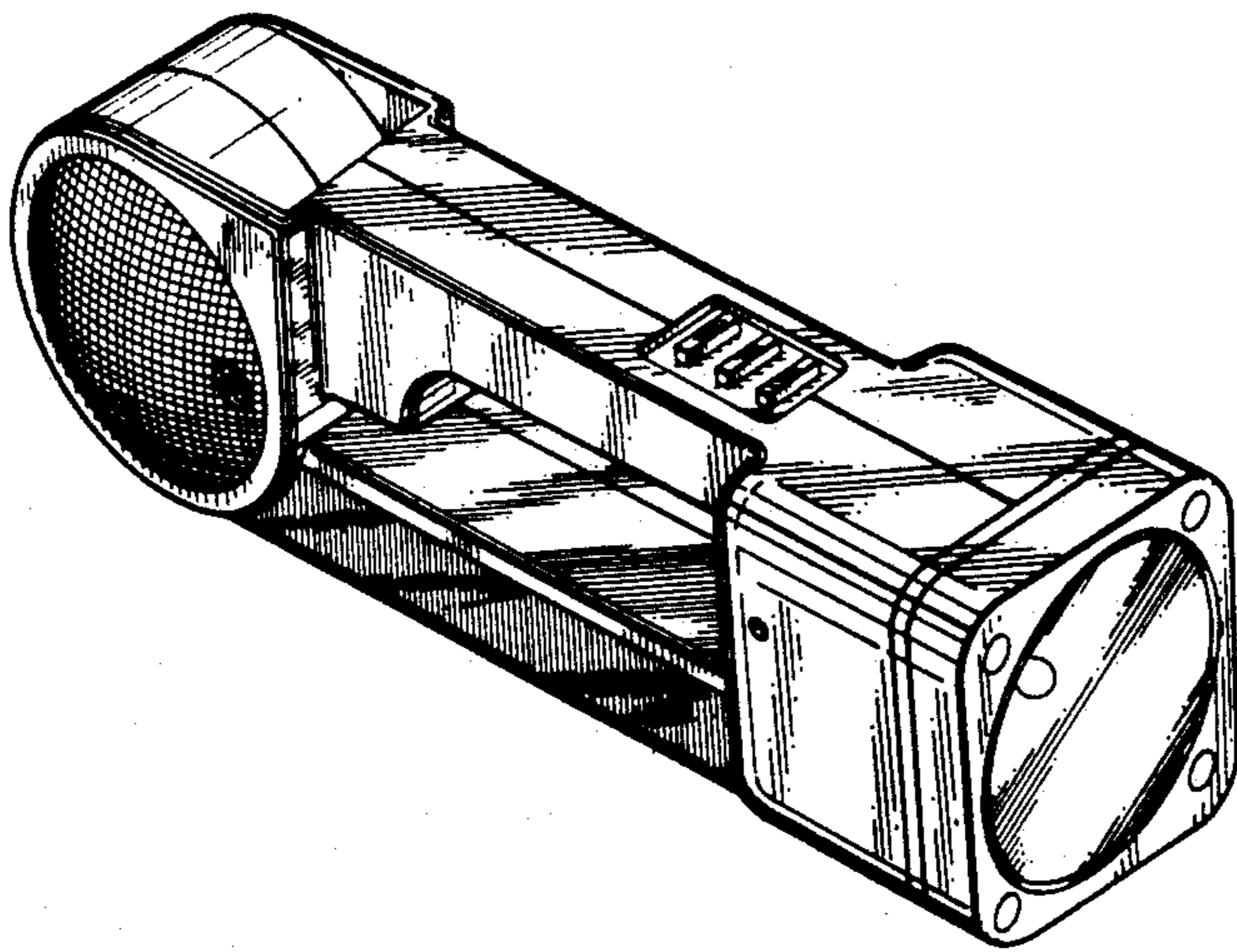


FIG. 1

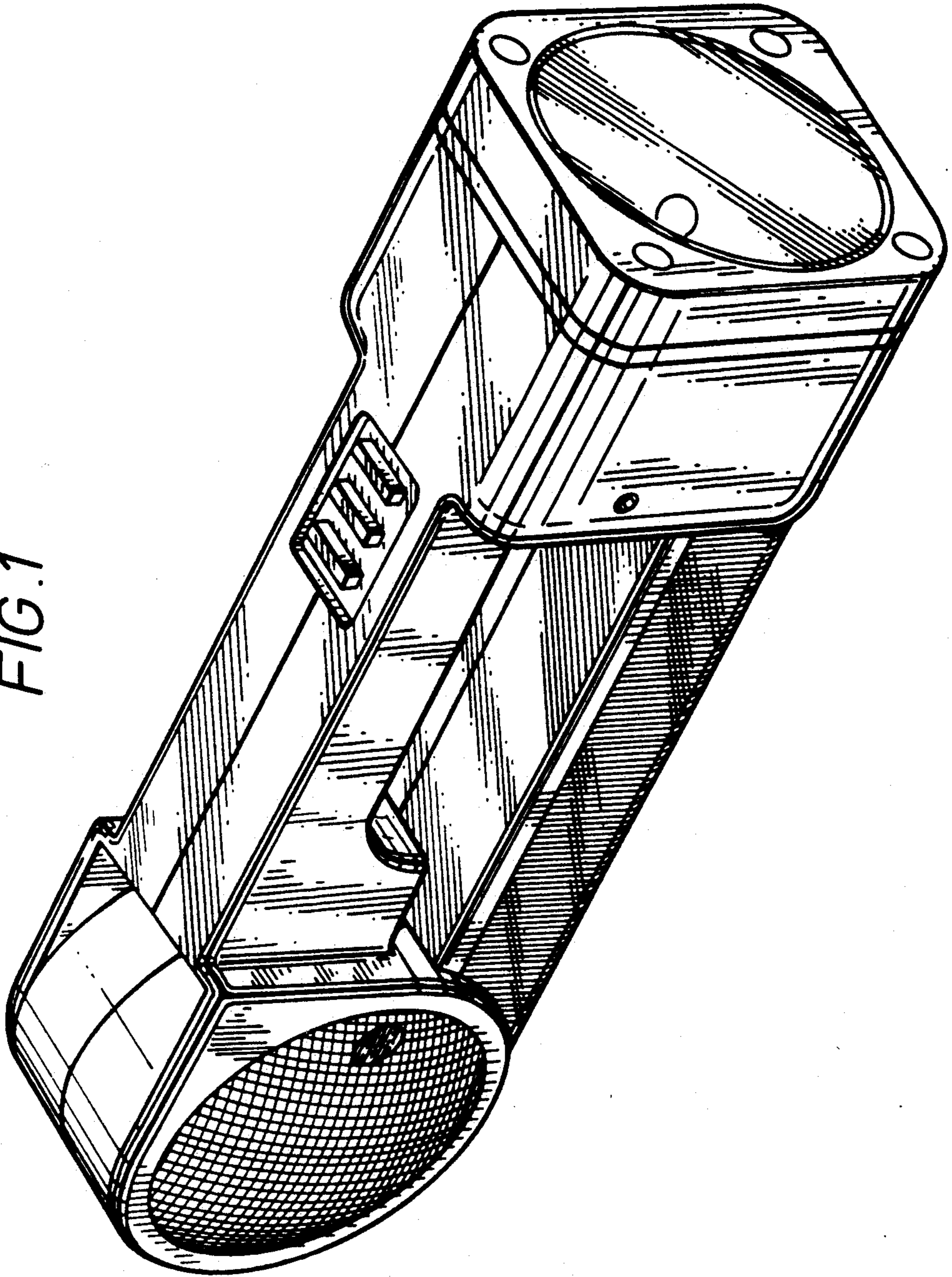


FIG. 2

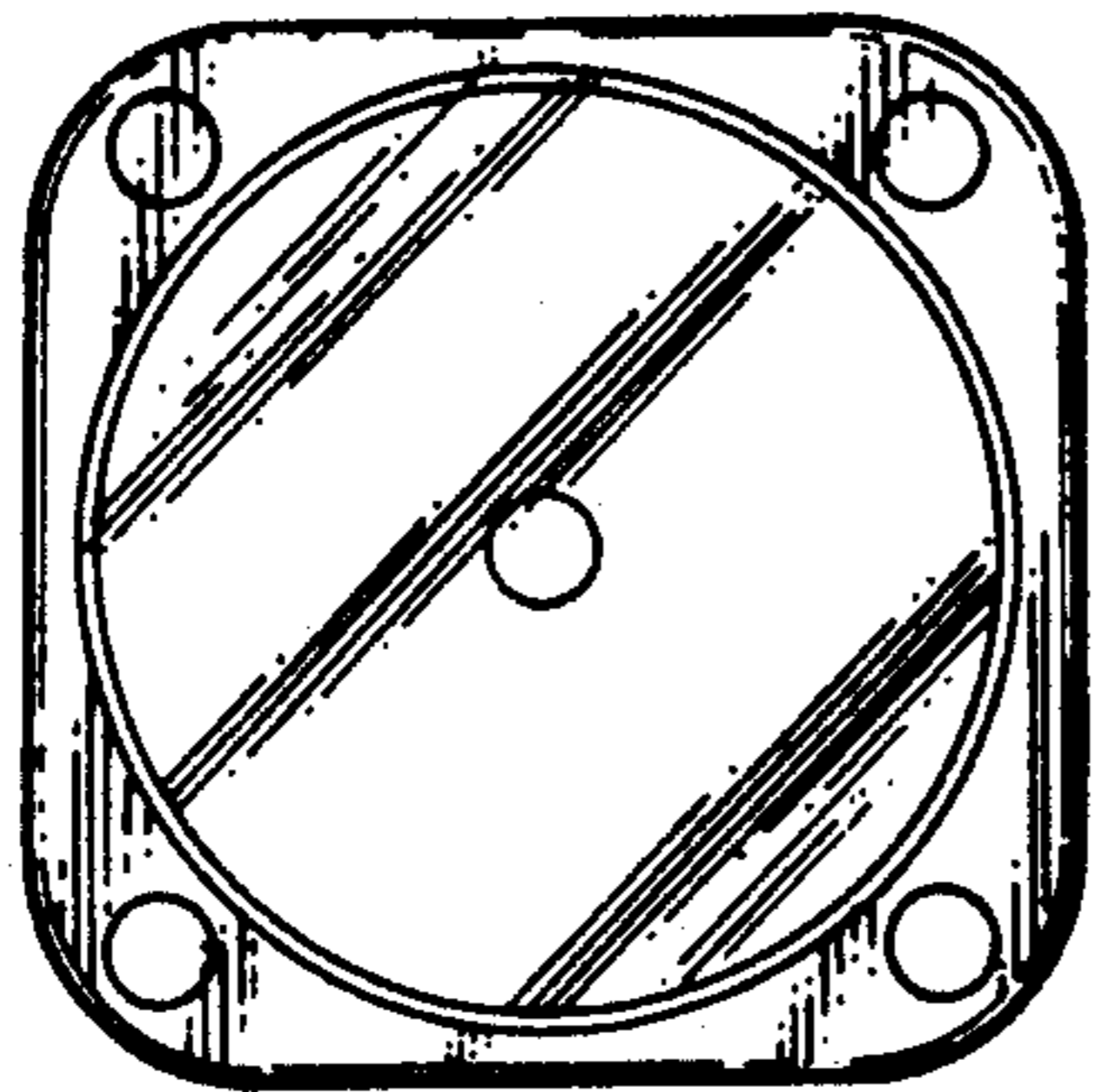


FIG. 3

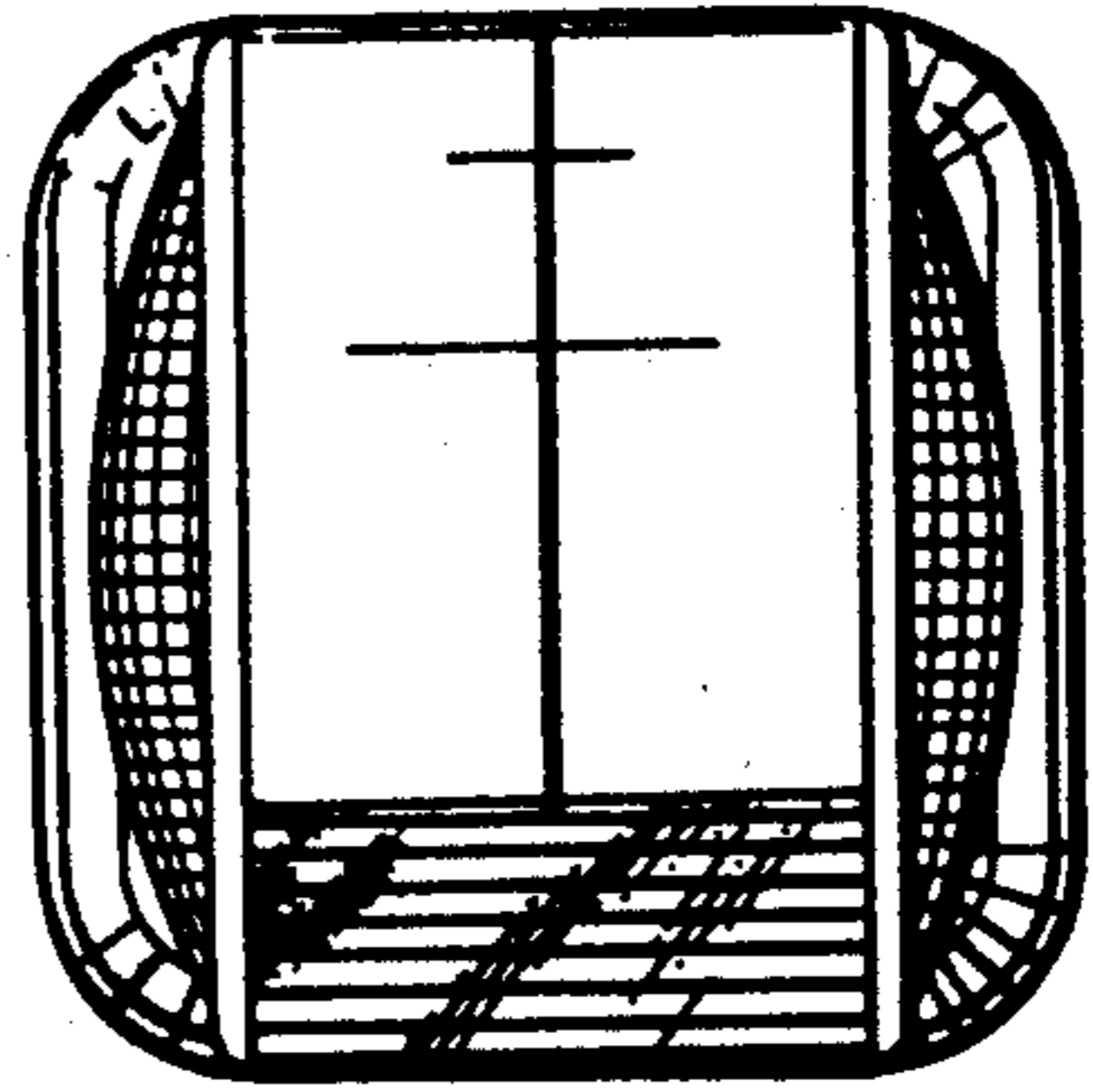


FIG. 4

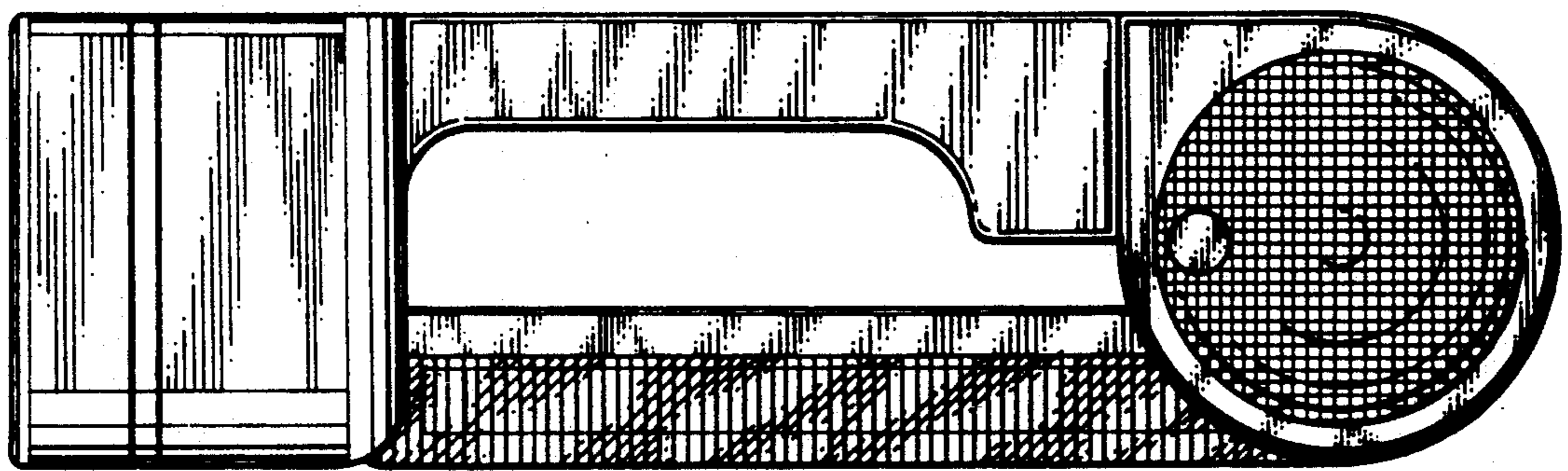


FIG. 5

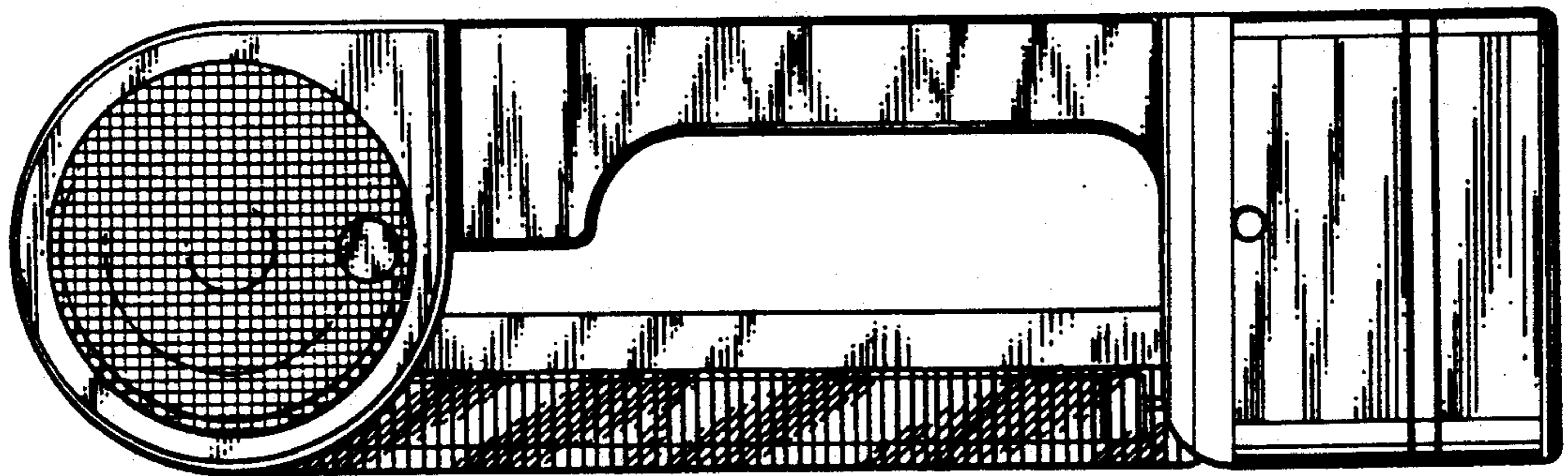


FIG. 6

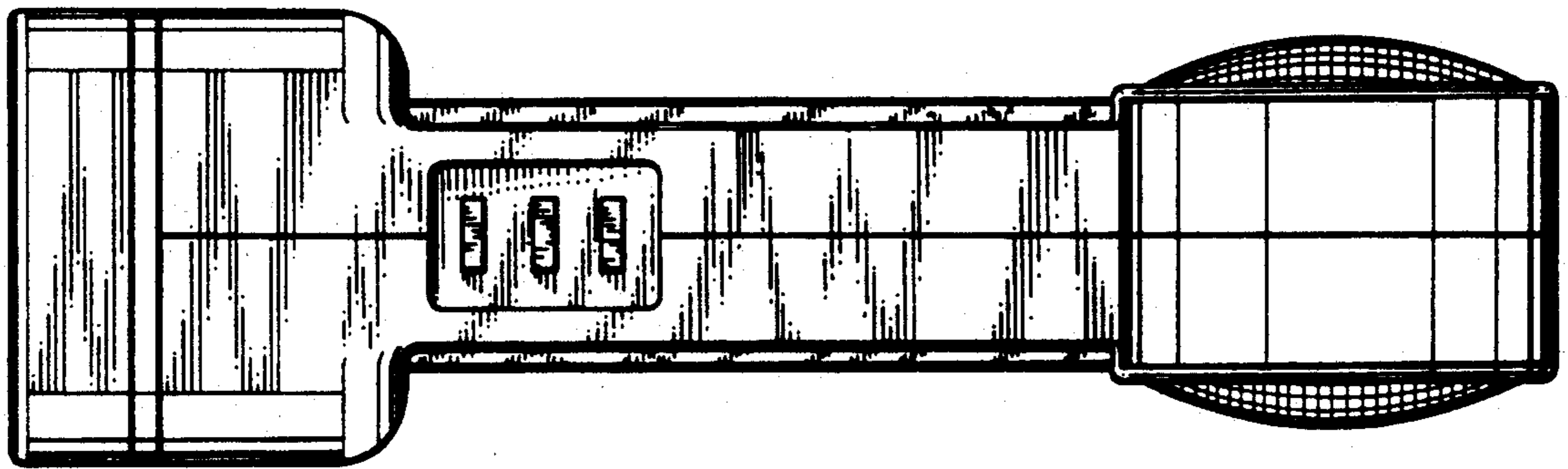


FIG. 7

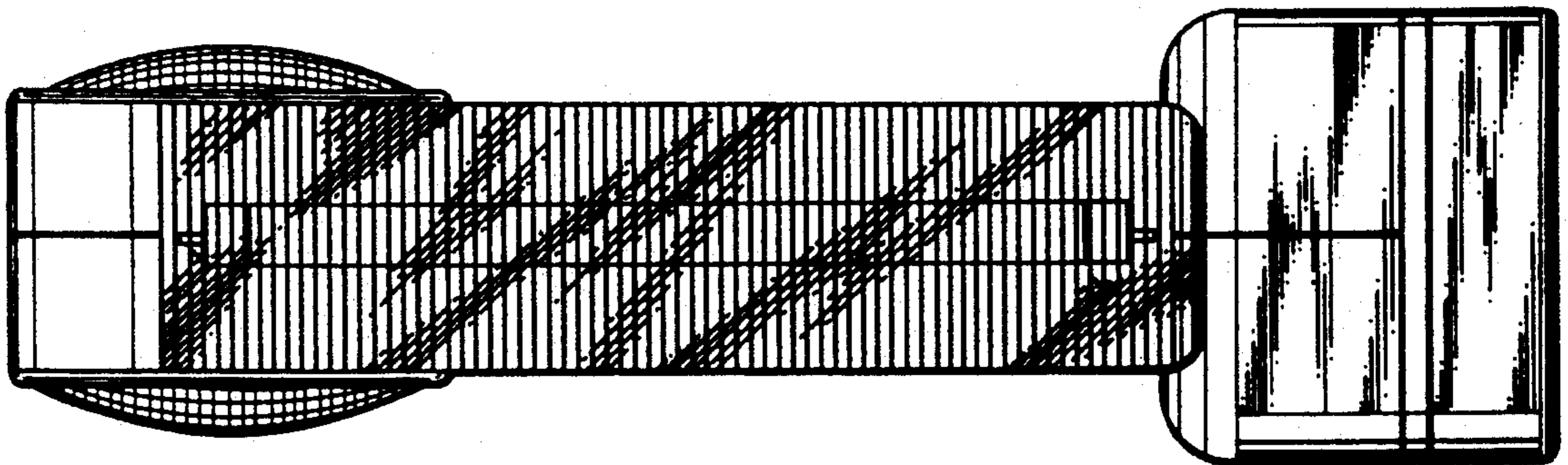


FIG. 8

