



US00D338541S

United States Patent [19]

[11] Patent Number: **Des. 338,541**

Fifield

[45] Date of Patent: **** Aug. 17, 1993**

[54] **ROOF TILE**

0375802 7/1990 European Pat. Off. .

[75] Inventor: **John A. Fifield, Aylesbury, Great Britain**

Primary Examiner—A. Hugo Word
Assistant Examiner—Doris Clark

[73] Assignee: **Oldcastle, Inc., Los Angeles, Calif.**

[57] **CLAIM**

[**] Term: **14 Years**

The ornamental design for a roof tile, as shown and described.

[21] Appl. No.: **704,638**

[22] Filed: **May 23, 1991**

DESCRIPTION

[30] **Foreign Application Priority Data**

Sep. 6, 1990 [GB] United Kingdom 9019441

[52] U.S. Cl. **D25/140**

[58] Field of Search **D25/139-140;**
52/533, 518, 524, 536

FIG. 1 is a top, rear, left side perspective view of a roof tile showing my new design;

FIG. 2 is a bottom, rear, right side perspective view thereof;

FIG. 3 is a left side elevational view thereof;

FIG. 4 is a rear elevational view thereof;

FIG. 5 is a front elevational view thereof;

FIG. 6 is a top, rear, left side perspective view of a second embodiment of a roof tile showing my new design;

FIG. 7 is a bottom, rear, right side perspective view of the roof tile shown in FIG. 6;

FIG. 8 is a front elevational view thereof;

FIG. 9 is a bottom, rear, right side perspective view of a third embodiment of a roof tile showing my new design; and,

FIG. 10 is a front elevational view thereof.

The top, rear, left side perspective view, the left side elevational view, and the rear elevational view of the roof tile shown in FIG. 9 are identical to those shown respectively in FIGS. 1, 3 and 4.

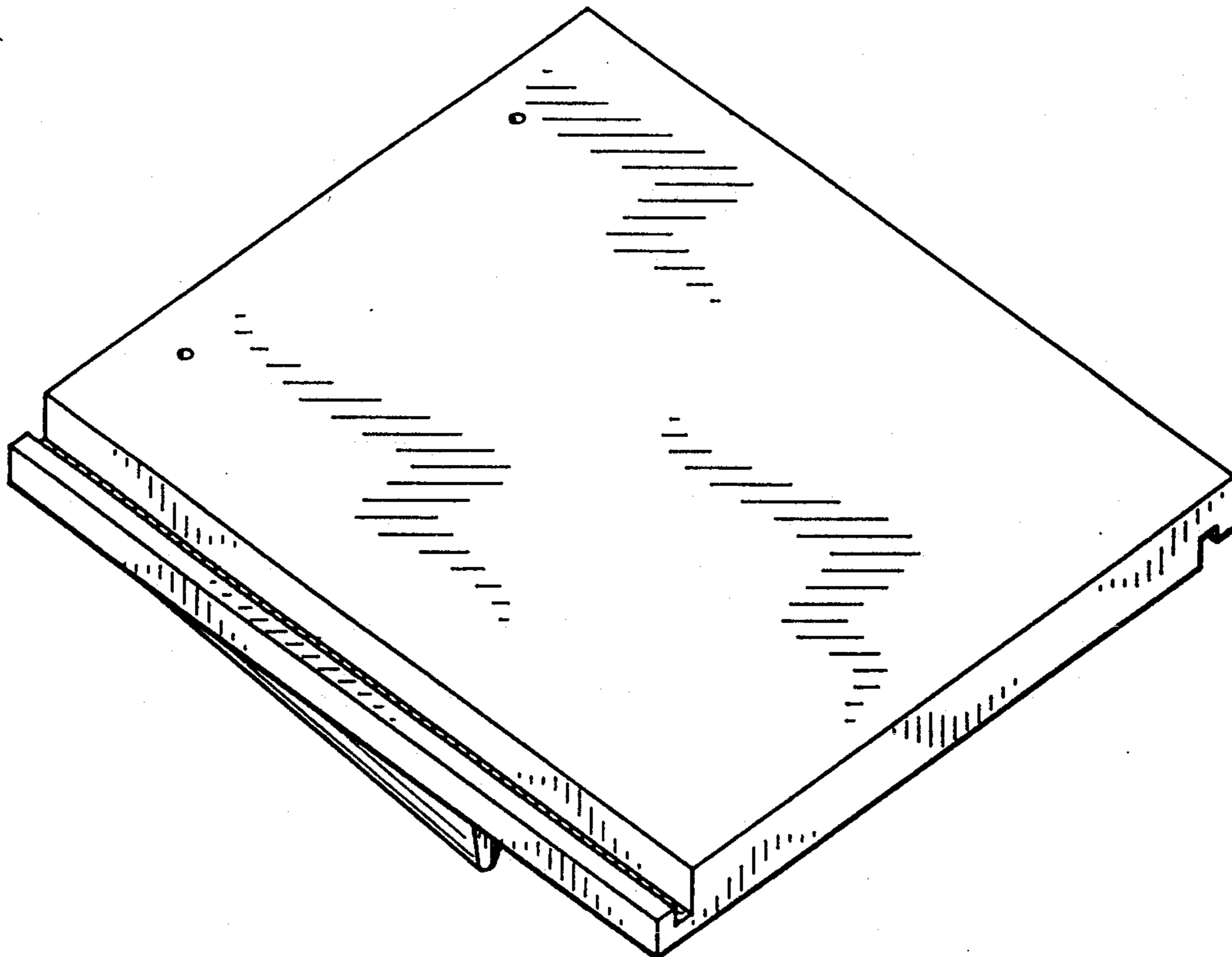
[56] **References Cited**

U.S. PATENT DOCUMENTS

- 147,061 2/1874 Manvel .
- D. 282,288 1/1986 Bates .
- 2,510,416 6/1950 Pretty 52/533
- 4,065,899 1/1978 Kirkhuff .
- 4,279,106 7/1981 Gleason et al. .
- 4,432,183 2/1984 Pike et al. D25/140
- 4,514,947 5/1985 Grail 52/533
- 4,574,536 3/1986 Bamber et al. 52/533
- 4,899,514 2/1990 Brookhart, Jr. 52/536

FOREIGN PATENT DOCUMENTS

- 0115374 8/1984 European Pat. Off. .



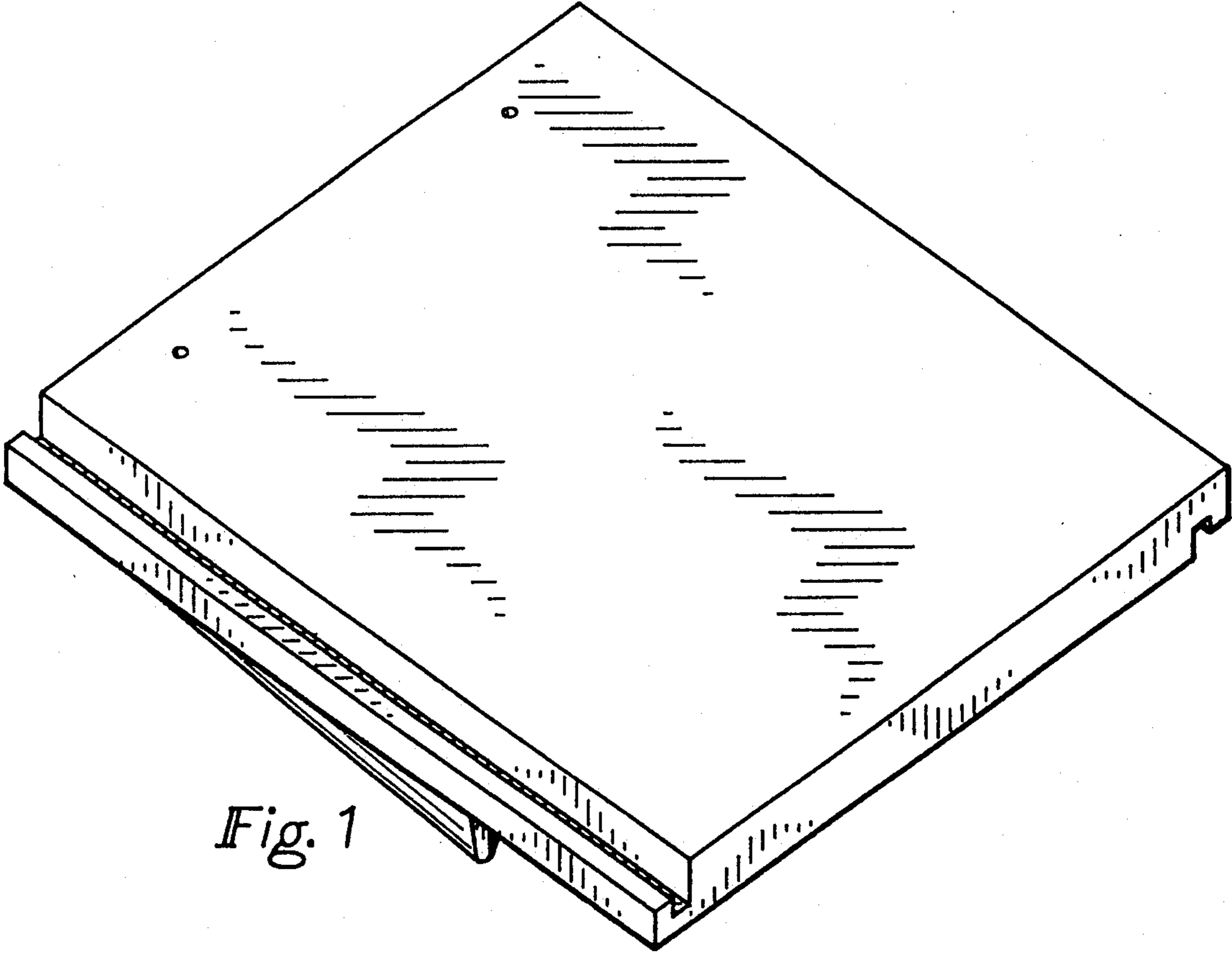


Fig. 1

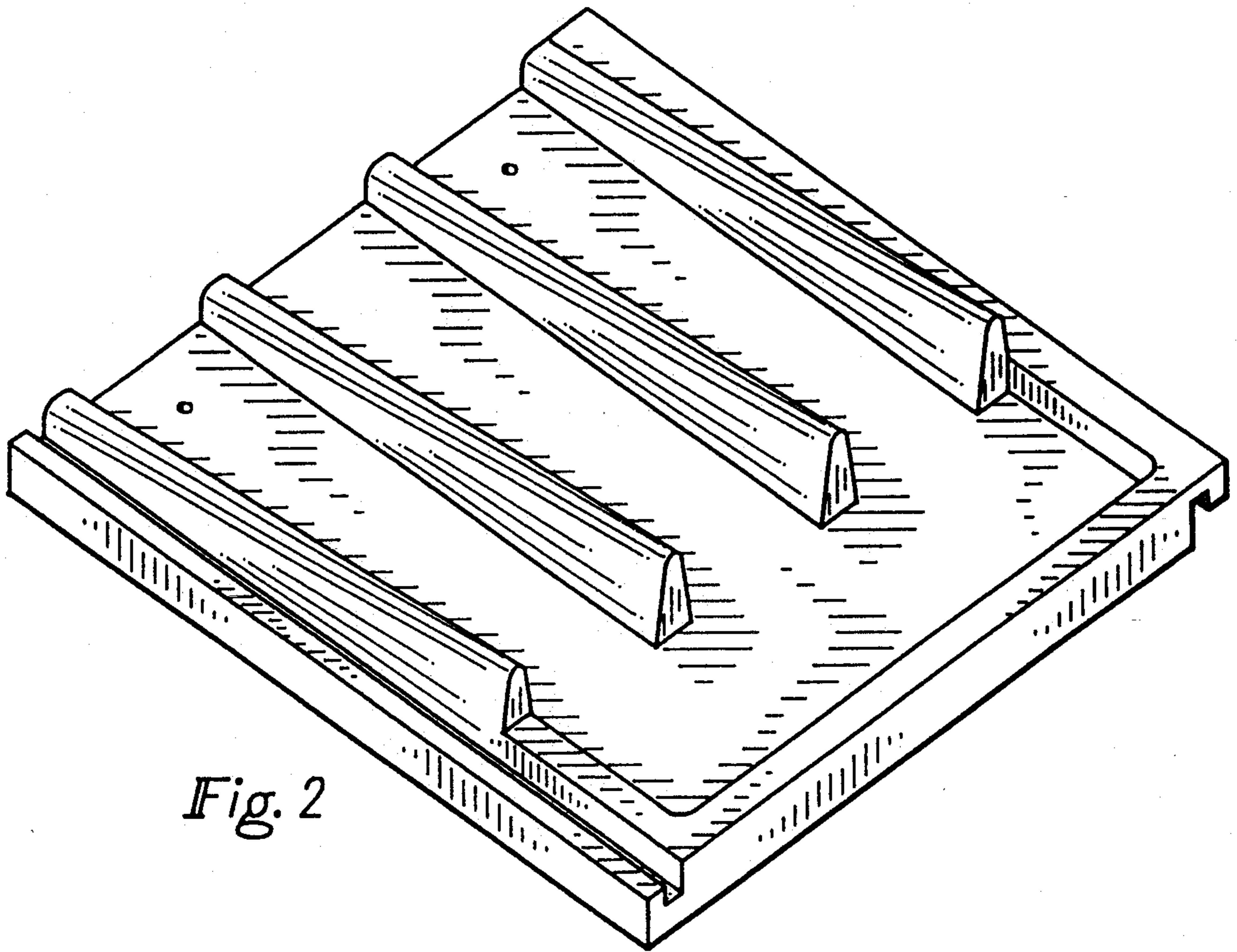


Fig. 2

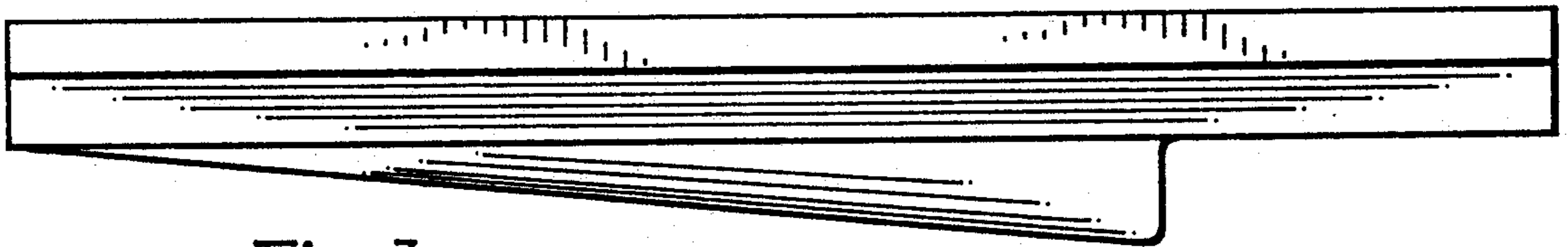


Fig. 3

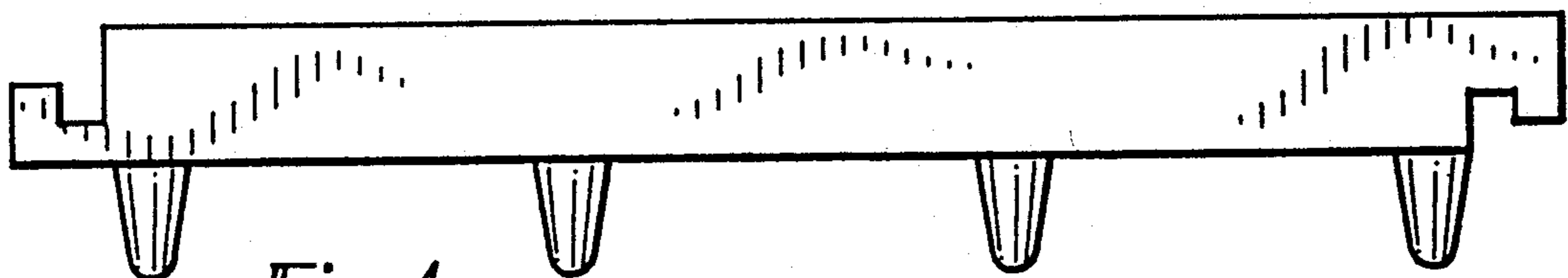


Fig. 4

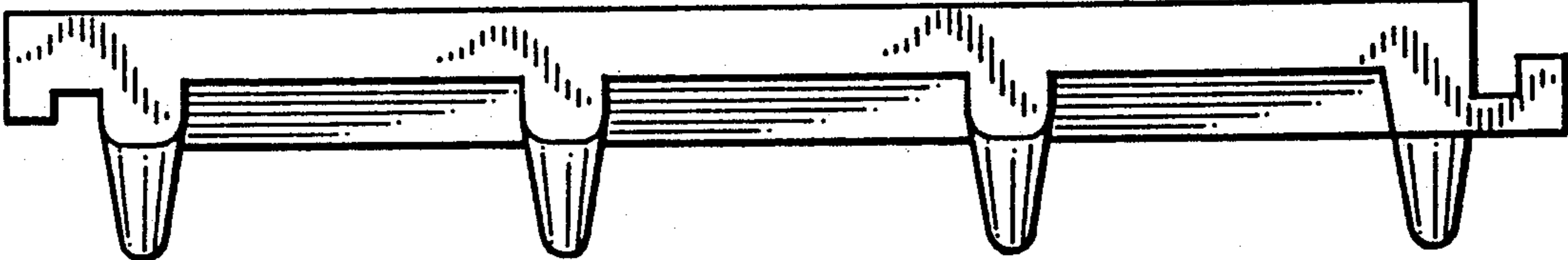


Fig. 5

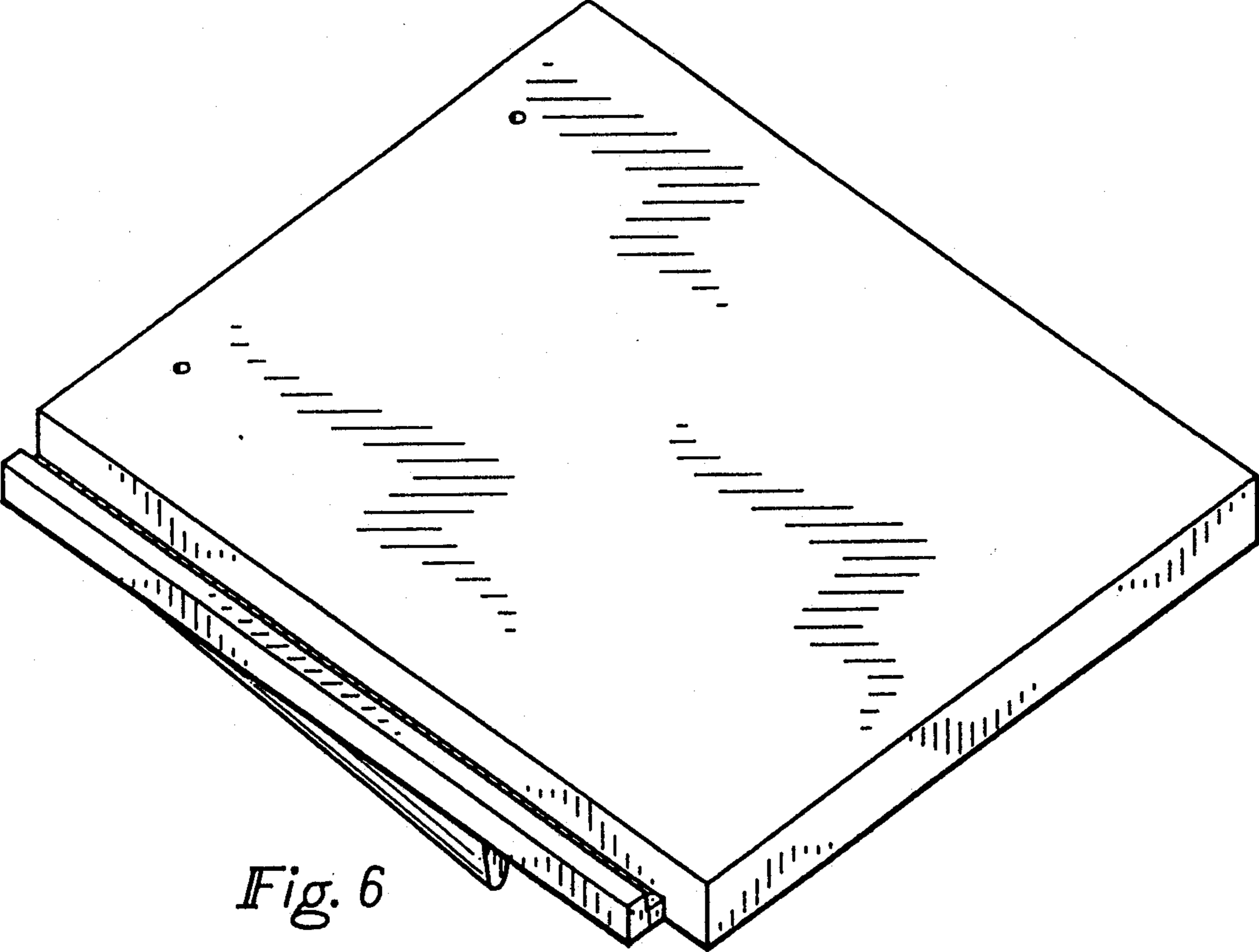


Fig. 6

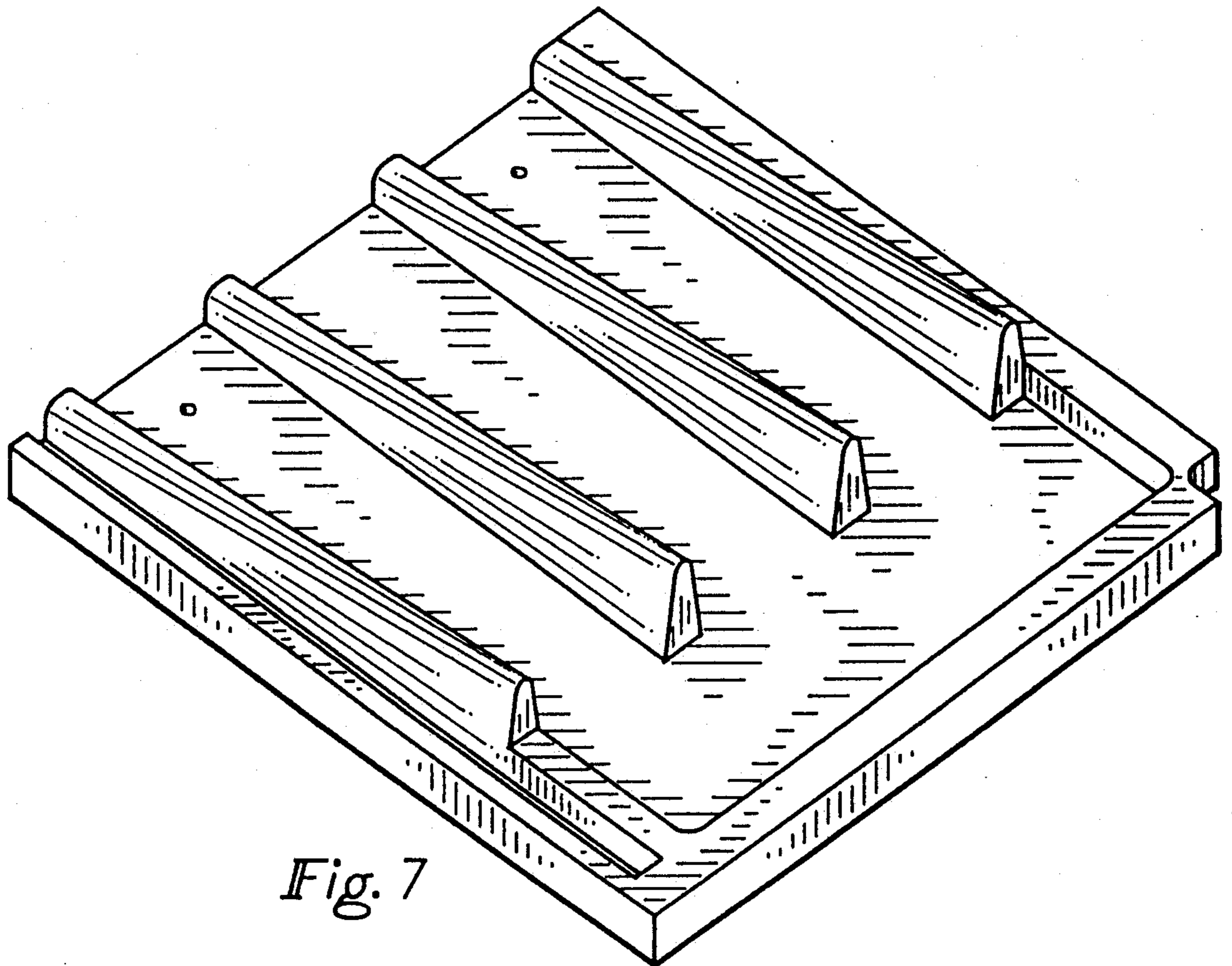


Fig. 7

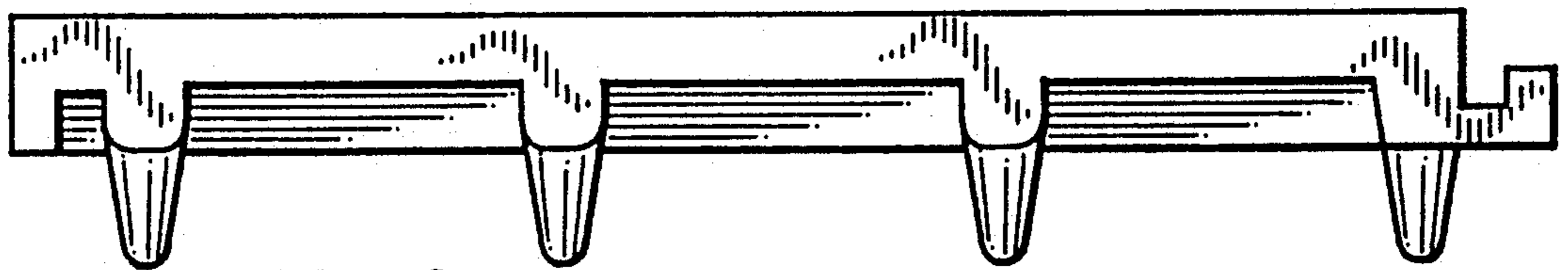


Fig. 8

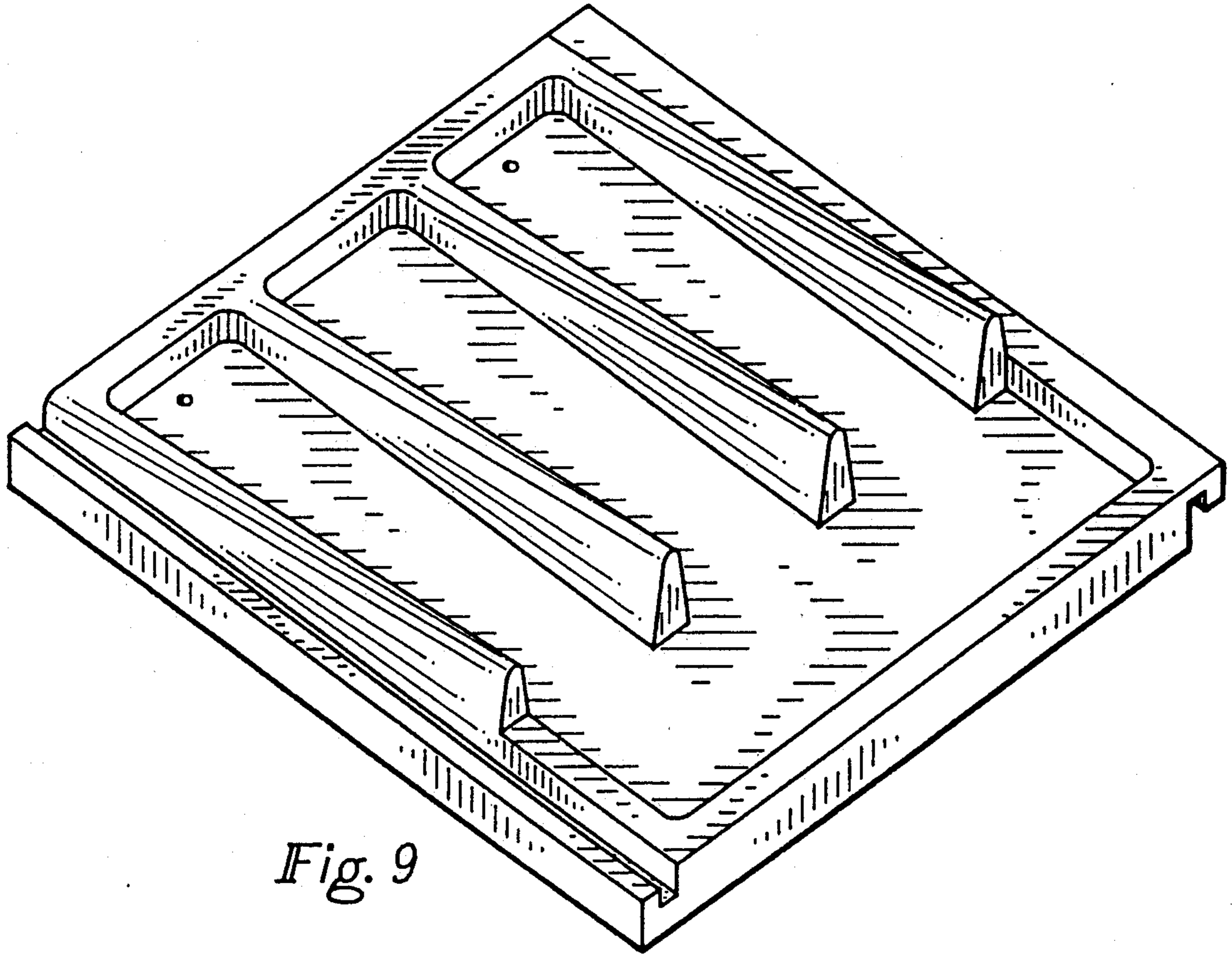


Fig. 9

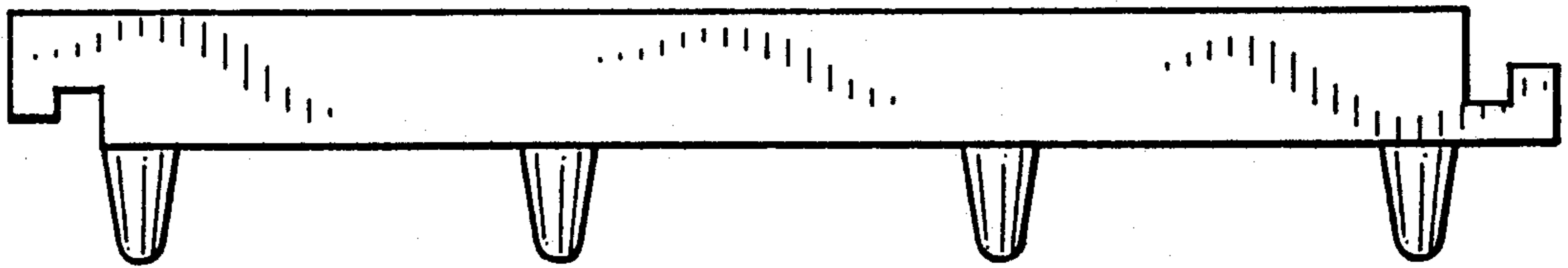


Fig. 10