



US00D338538S

United States Patent [19]
Cole

[11] **Patent Number: Des. 338,538**

[45] **Date of Patent: ** Aug. 17, 1993**

[54] **WINDOW COMPONENT EXTRUSION**

[75] **Inventor: Douglas L. Cole, Seattle, Wash.**

[73] **Assignee: Mikron Industries, Kent, Wash.**

[**] **Term: 14 Years**

[21] **Appl. No.: 816,091**

[22] **Filed: Dec. 30, 1991**

[52] **U.S. Cl. D25/124**

[58] **Field of Search D25/122, 124; 49/501,
49/504, DIG. 2**

[56] **References Cited**

U.S. PATENT DOCUMENTS

D. 49,667 9/1916 Landine D25/124

4,314,424 2/1982 Gordon et al. 49/501
4,581,852 4/1986 Jäger et al. 49/501
4,614,062 9/1986 Sperr 49/504

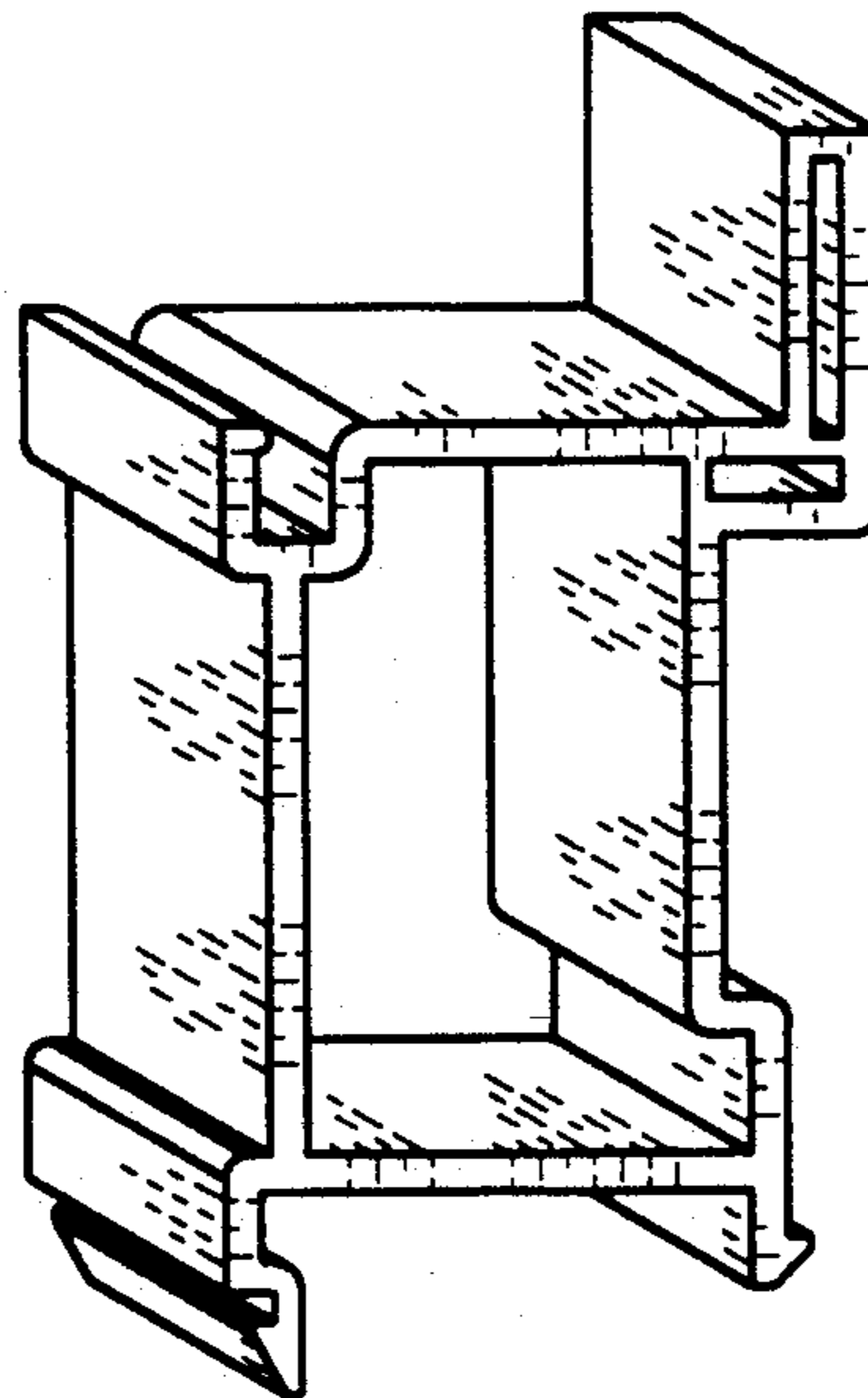
Primary Examiner—A. Hugo Word
Assistant Examiner—Doris Clark
Attorney, Agent, or Firm—Seed and Berry

[57] **CLAIM**

The ornamental design for a window component extrusion, as shown and described.

DESCRIPTION

FIG. 1 is a perspective view of a window component extrusion showing my new design viewed from the top right; and, FIG. 2 is a perspective view thereof viewed from the bottom left.



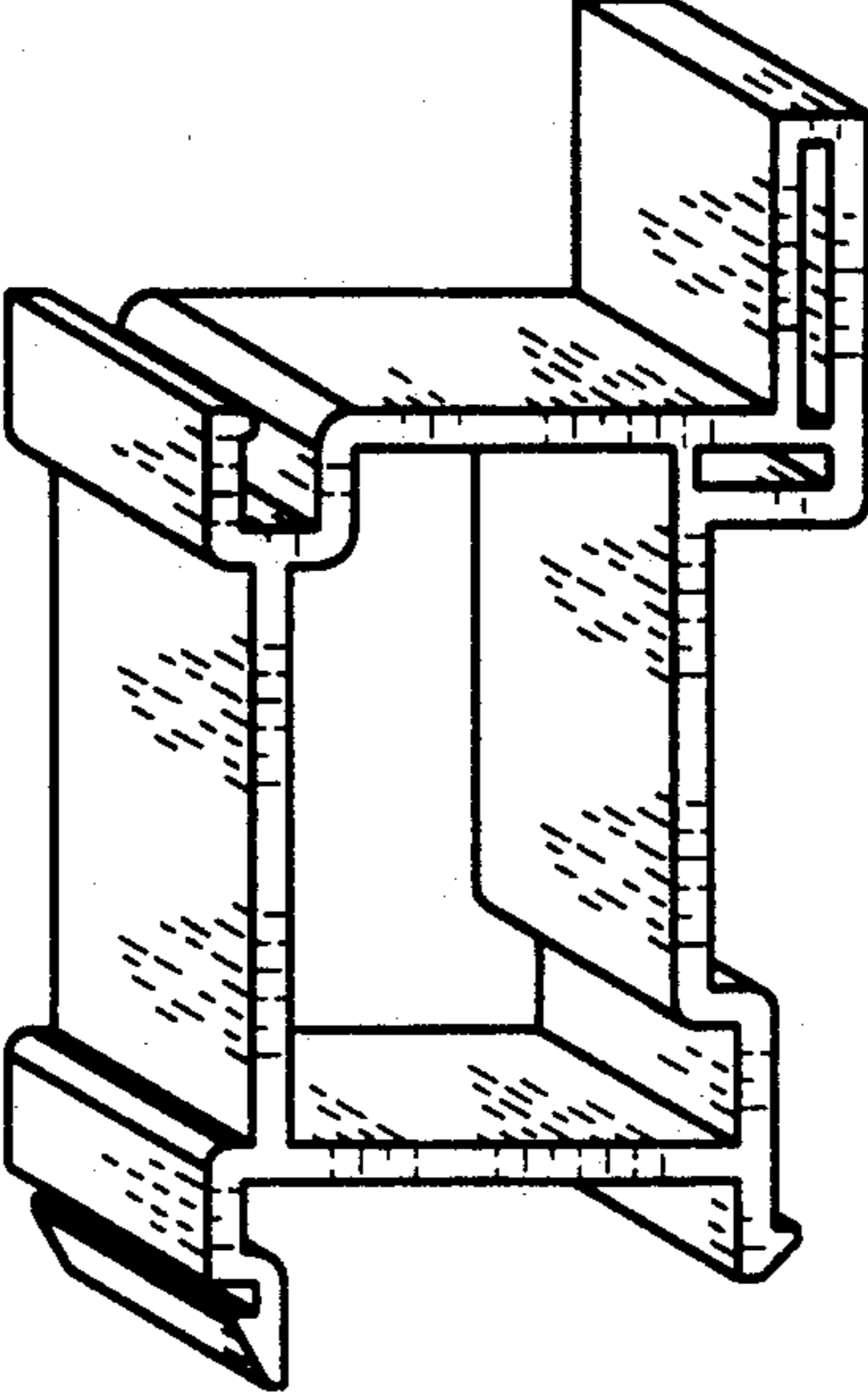


FIG. 1

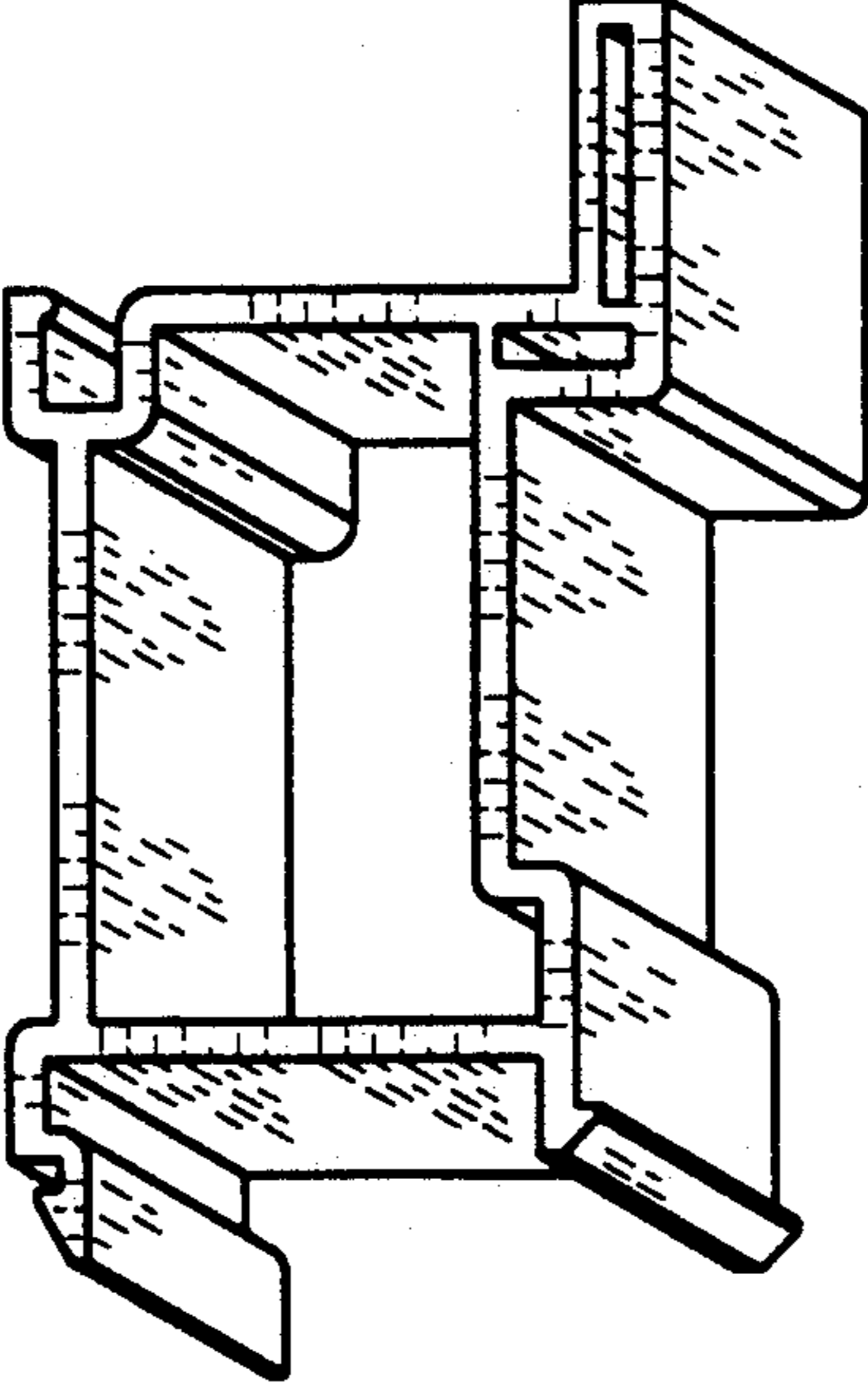


FIG. 2