



US00D338536S

# United States Patent [19]

Gifford, Sr.

[11] Patent Number: **Des. 338,536**

[45] Date of Patent: **\*\* Aug. 17, 1993**

[54] **CEILING GRIP COVER STRIP**

[76] Inventor: **John E. Gifford, Sr.**, 419 N. George St., Rome, N.Y. 13440

[\*\*] Term: **14 Years**

[21] Appl. No.: **692,076**

[22] Filed: **Apr. 26, 1991**

[52] U.S. Cl. .... **D25/119**

[58] Field of Search ..... **D25/58, 138, 119; 52/484, 488, 461, 311**

4,848,054 7/1989 Blitzer et al. .... 52/484  
 4,866,900 9/1989 Dunn ..... 52/484  
 4,944,129 7/1990 Hartleif ..... 52/484

*Primary Examiner*—A. Hugo Word  
*Assistant Examiner*—Doris Clark  
*Attorney, Agent, or Firm*—Gunn, Lee & Miller

### [57] CLAIM

The ornamental design of a ceiling grip cover strip, as shown and described.

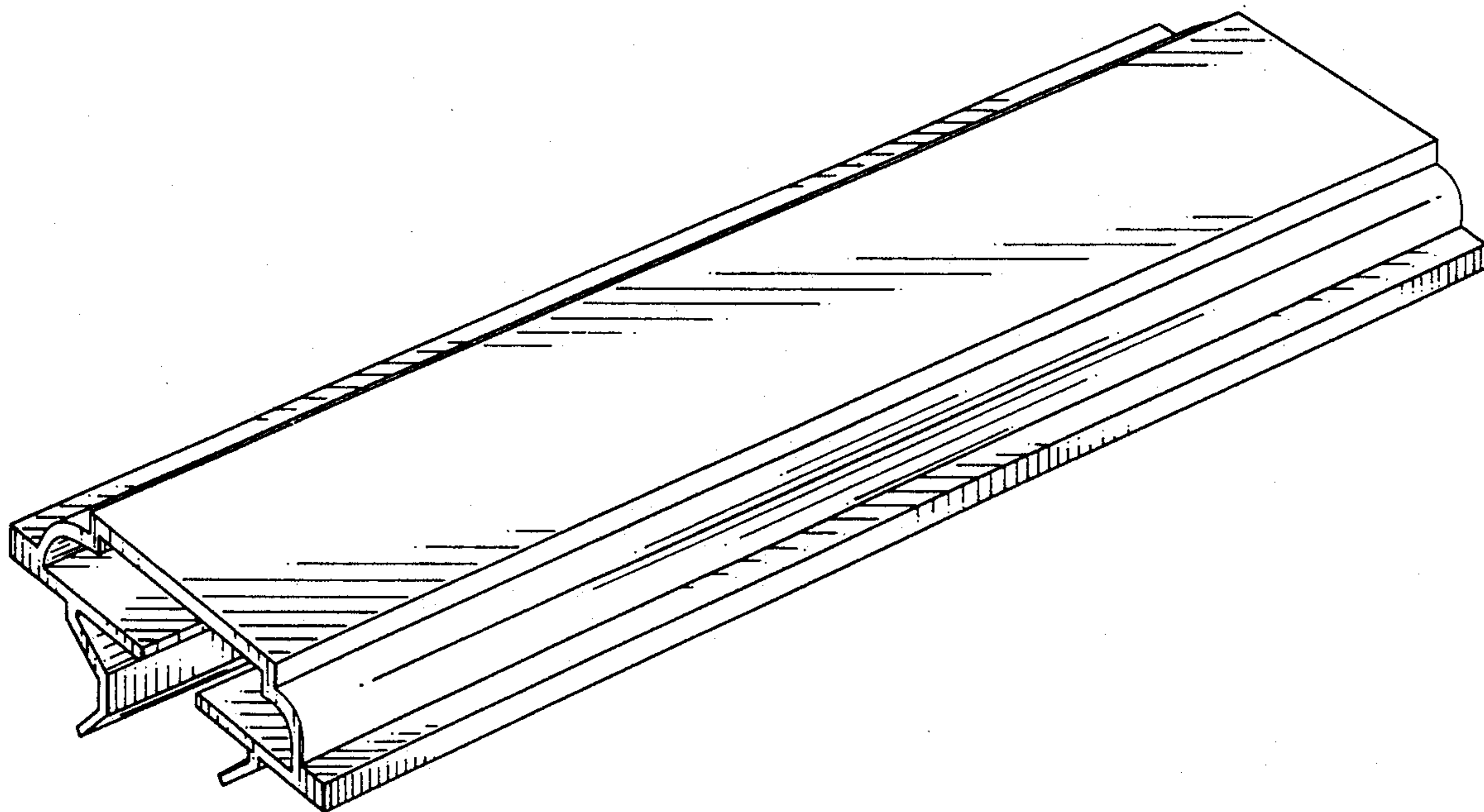
### DESCRIPTION

FIG. 1 is a front elevation view showing my design;  
 FIG. 2 is a rear elevation view thereof;  
 FIG. 3 is a bottom view thereof;  
 FIG. 4 is a left side view thereof;  
 FIG. 5 is a top view thereof;  
 FIG. 6 is a right side view thereof;  
 FIG. 7 is a top, left side perspective view thereof; and,  
 FIG. 8 is a bottom, left side perspective view thereof.

[56] **References Cited**

**U.S. PATENT DOCUMENTS**

2,926,742 3/1960 Fischer ..... D25/119  
 2,963,751 12/1960 Mancini ..... D25/58  
 2,971,617 2/1961 Smith et al. .... D25/58  
 4,272,937 6/1981 Brugman ..... 52/484  
 4,718,213 1/1988 Butterfield ..... D25/119



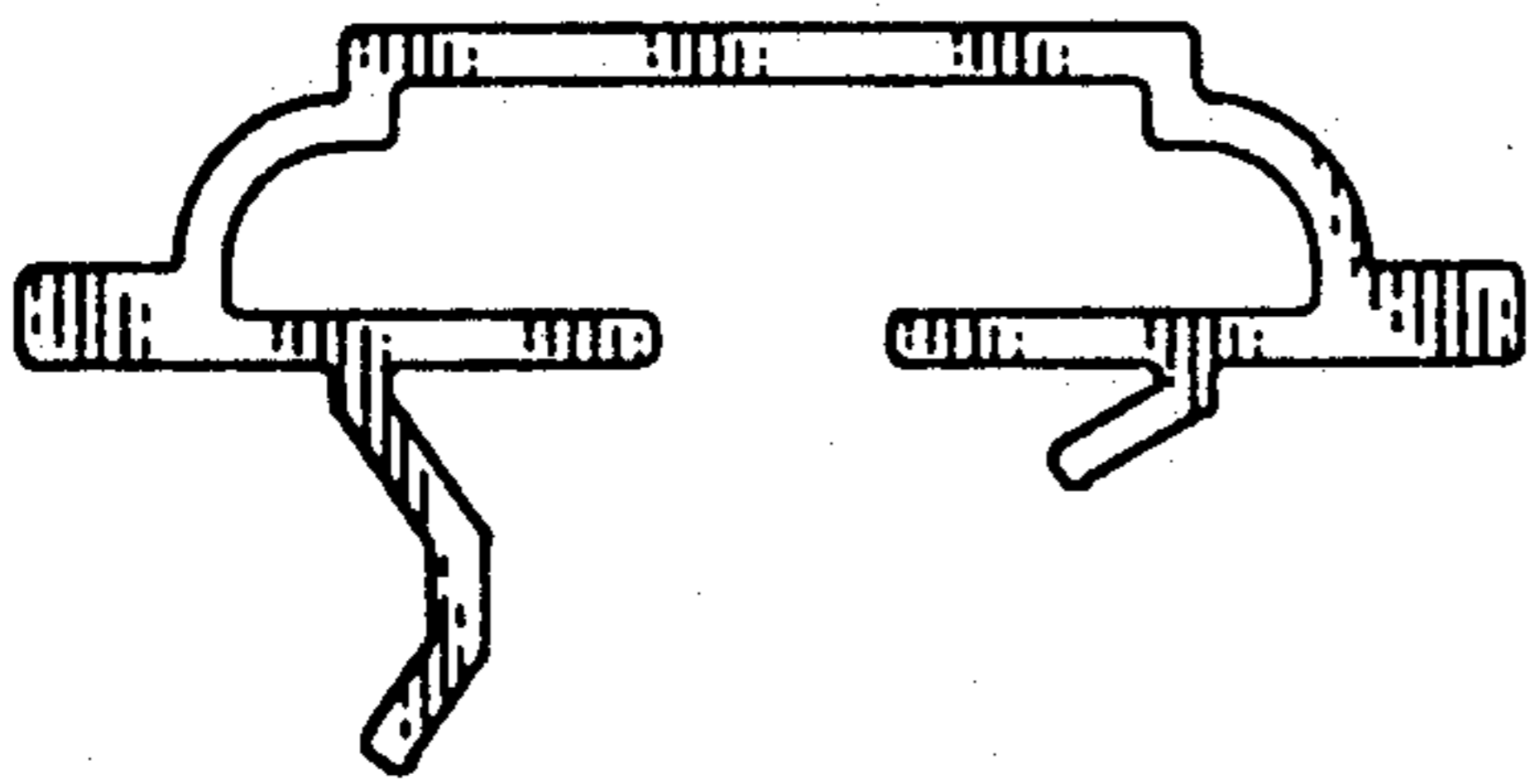


Fig. 1

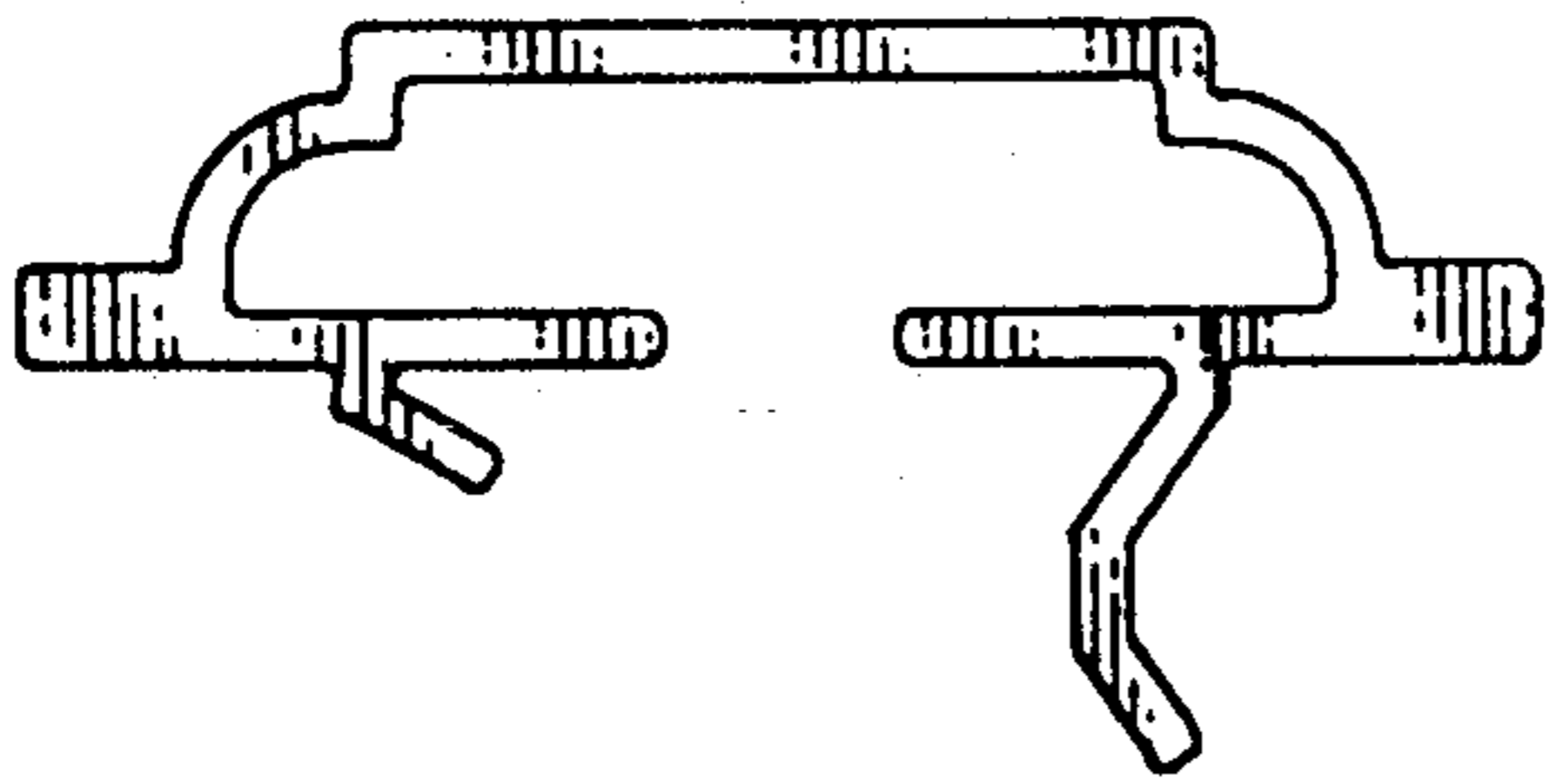


Fig. 2

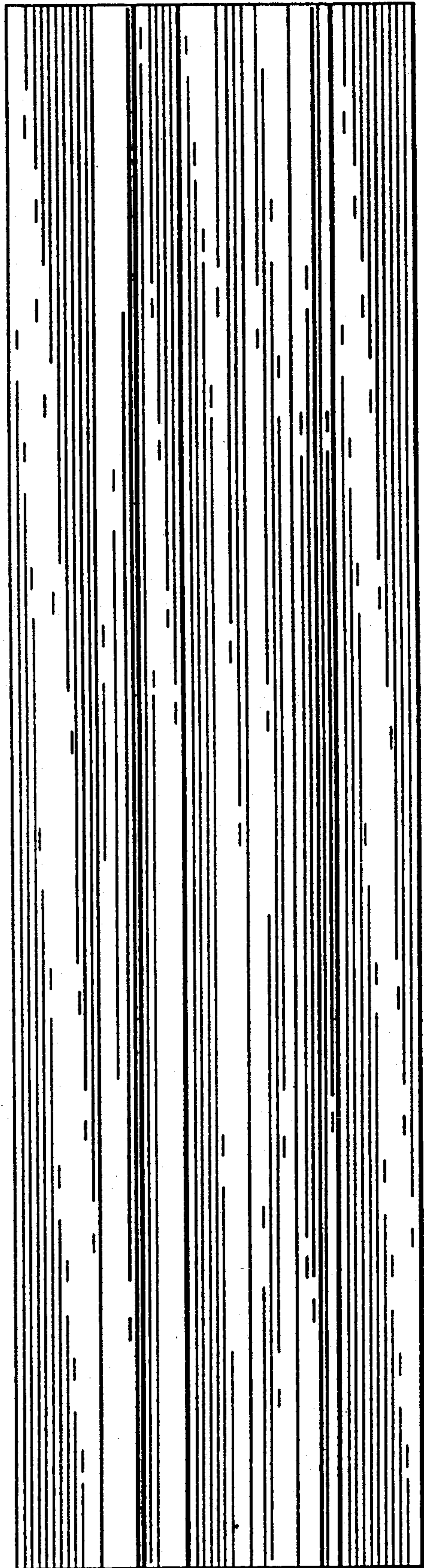


Fig. 3



Fig. 4

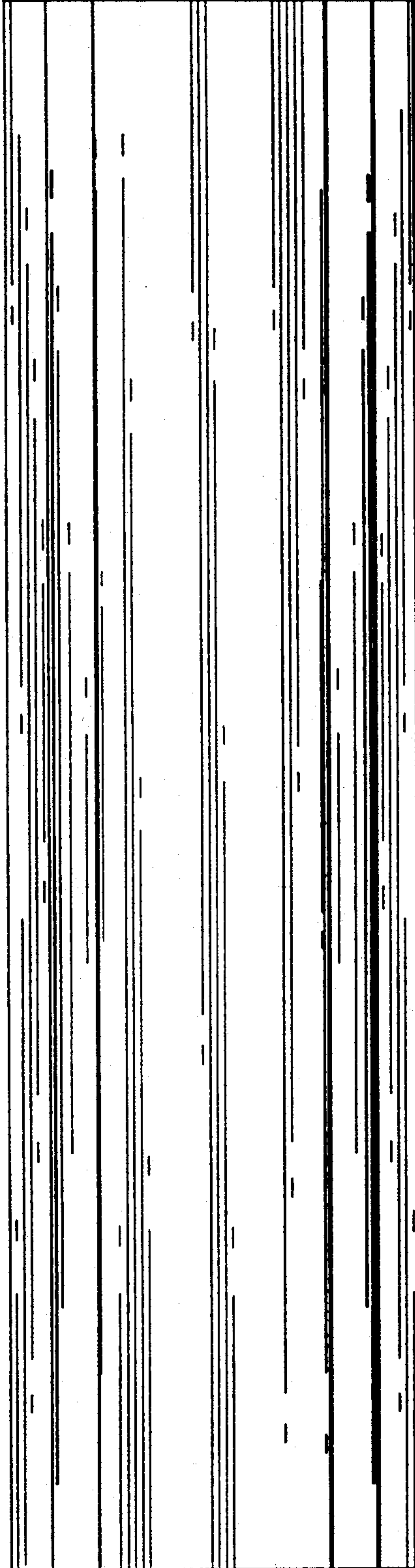


Fig. 5

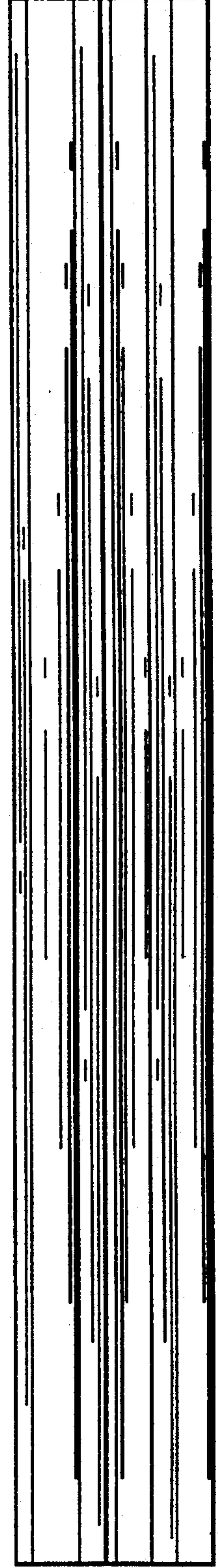


Fig. 6

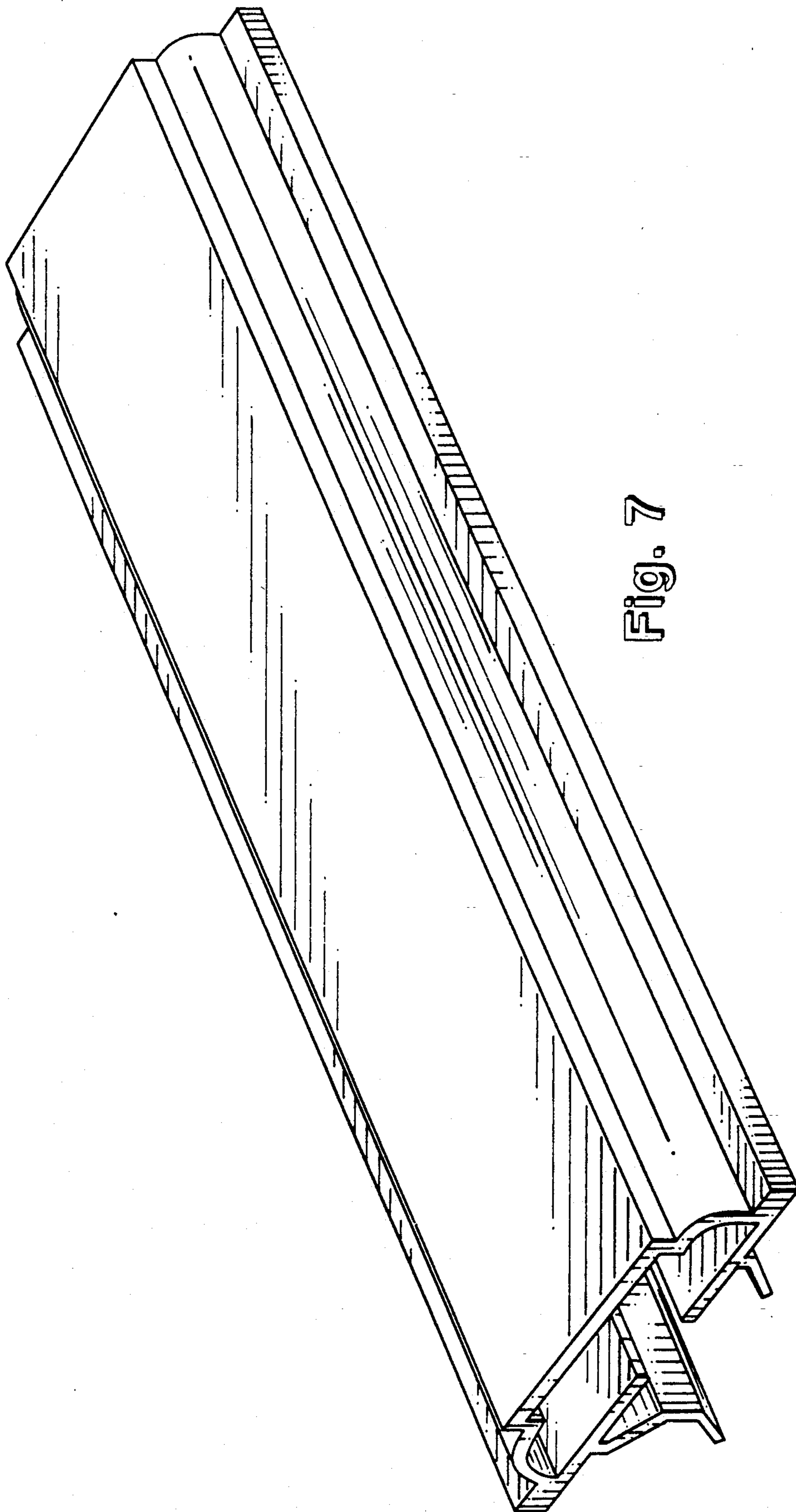


Fig. 7

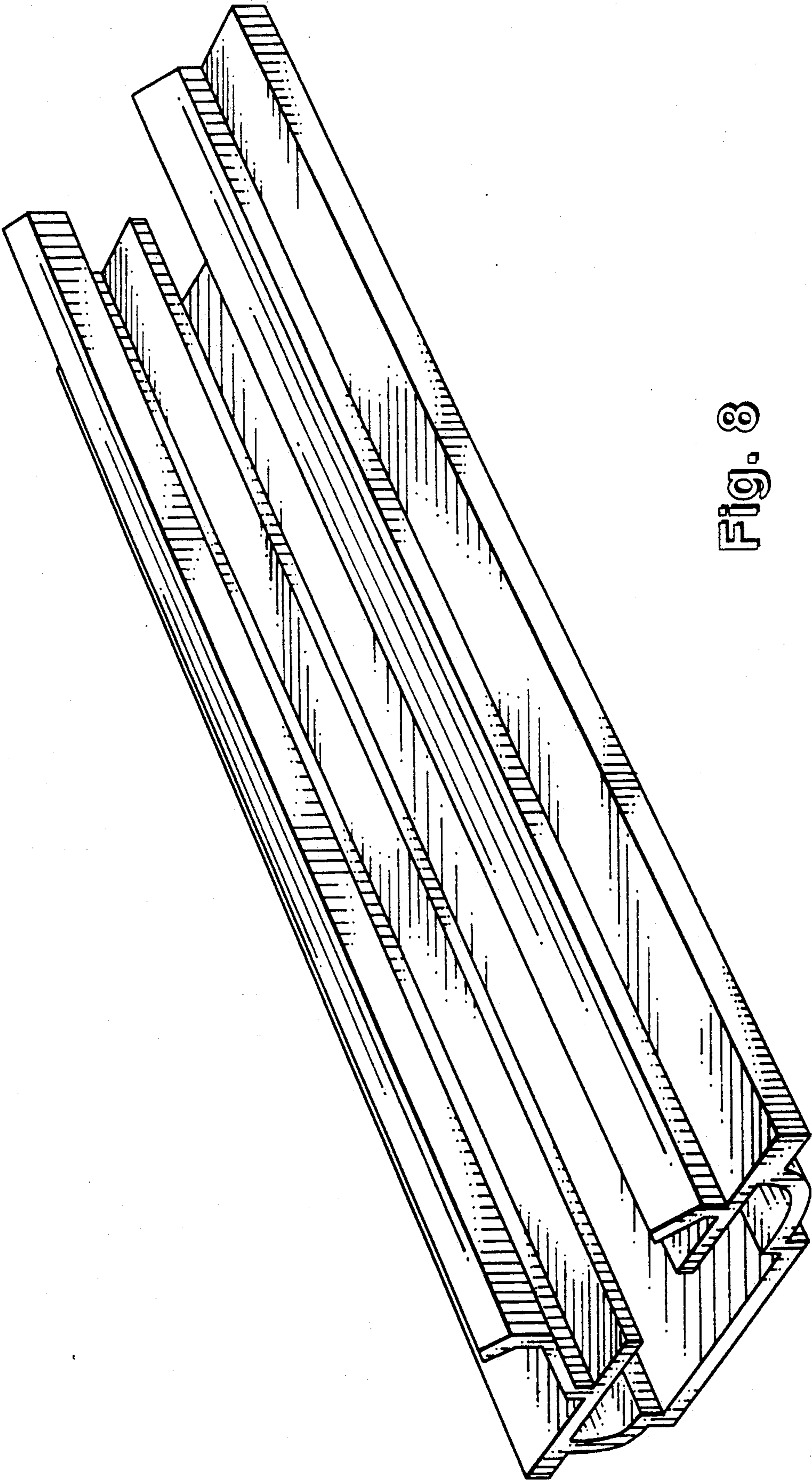


Fig. 8