



US00D338532S

United States Patent [19]

[11] Patent Number: **Des. 338,532**

Burgess

[45] Date of Patent: **** Aug. 17, 1993**

[54] INFANT PACIFIER

[76] Inventor: **Wanda Burgess**, 124 Carlton Ave., SE., Brooklyn, N.Y. 11205-2268

[**] Term: **14 Years**

[21] Appl. No.: **578,319**

[22] Filed: **Sep. 6, 1990**

[52] U.S. Cl. **D24/194**

[58] Field of Search **D24/193-199;**
606/234-236; 446/419

[56]

References Cited

U.S. PATENT DOCUMENTS

D. 245,335	8/1977	Meeker et al.	D24/194
D. 294,297	2/1988	Roehrig	D24/194
2,289,314	7/1942	Davis	446/419
4,507,653	3/1985	Bayer .	
4,770,114	9/1988	Malone .	

FOREIGN PATENT DOCUMENTS

873347 5/1987 South Africa 606/235

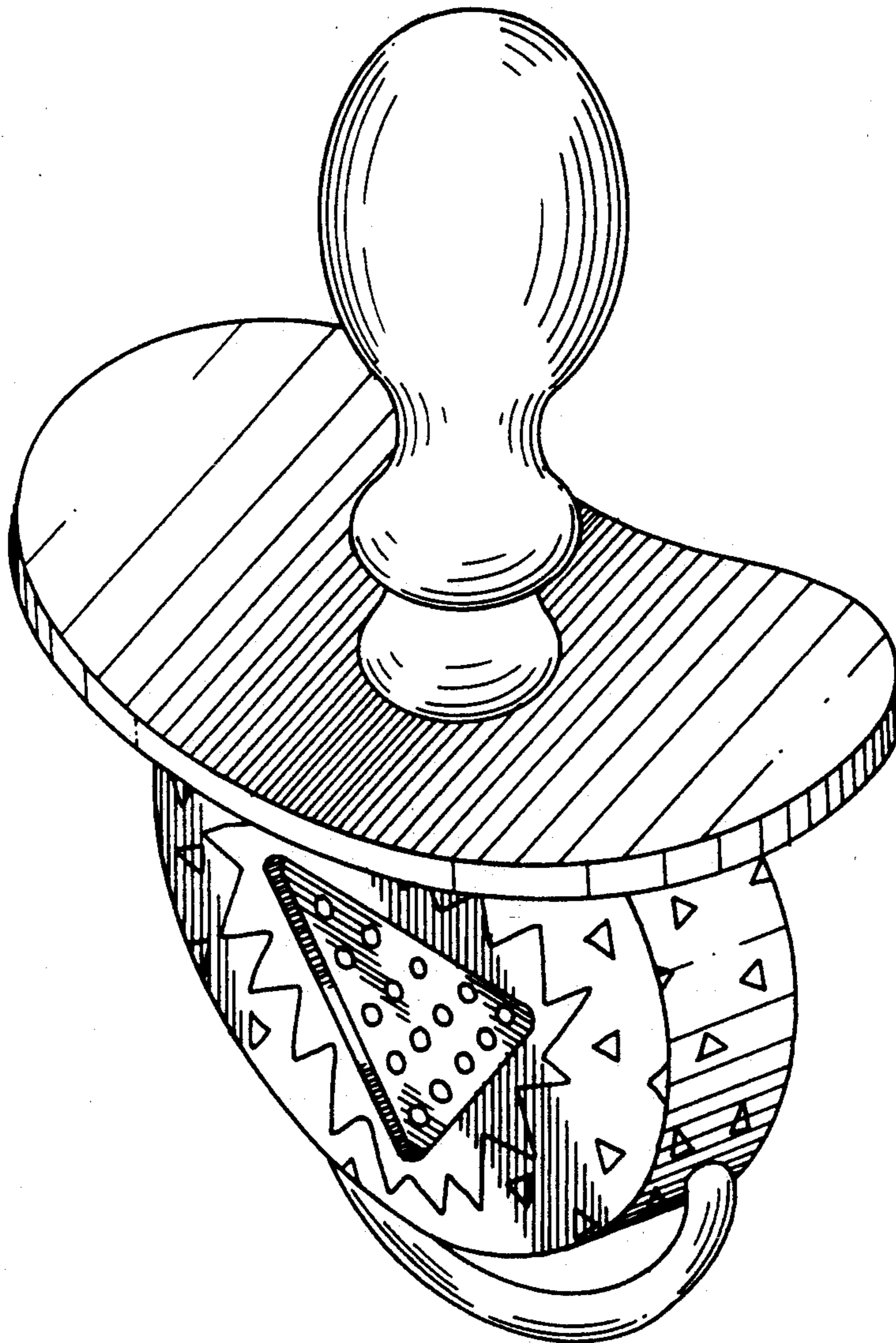
Primary Examiner—Louis S. Zarfes
Attorney, Agent, or Firm—Terry M. Gernstein

[57] CLAIM

The ornamental design for an infant pacifier, as shown and described.

DESCRIPTION

FIG. 1 is a perspective view of an infant pacifier showing my new design;
FIG. 2 is a front elevational view thereof, the rear being a mirror image of the front shown in FIG. 2;
FIG. 3 is a side elevational view thereof, the side opposite being a mirror image of the side shown in FIG. 3;
FIG. 4 is a top plan view thereof; and,
FIG. 5 is a bottom view thereof.



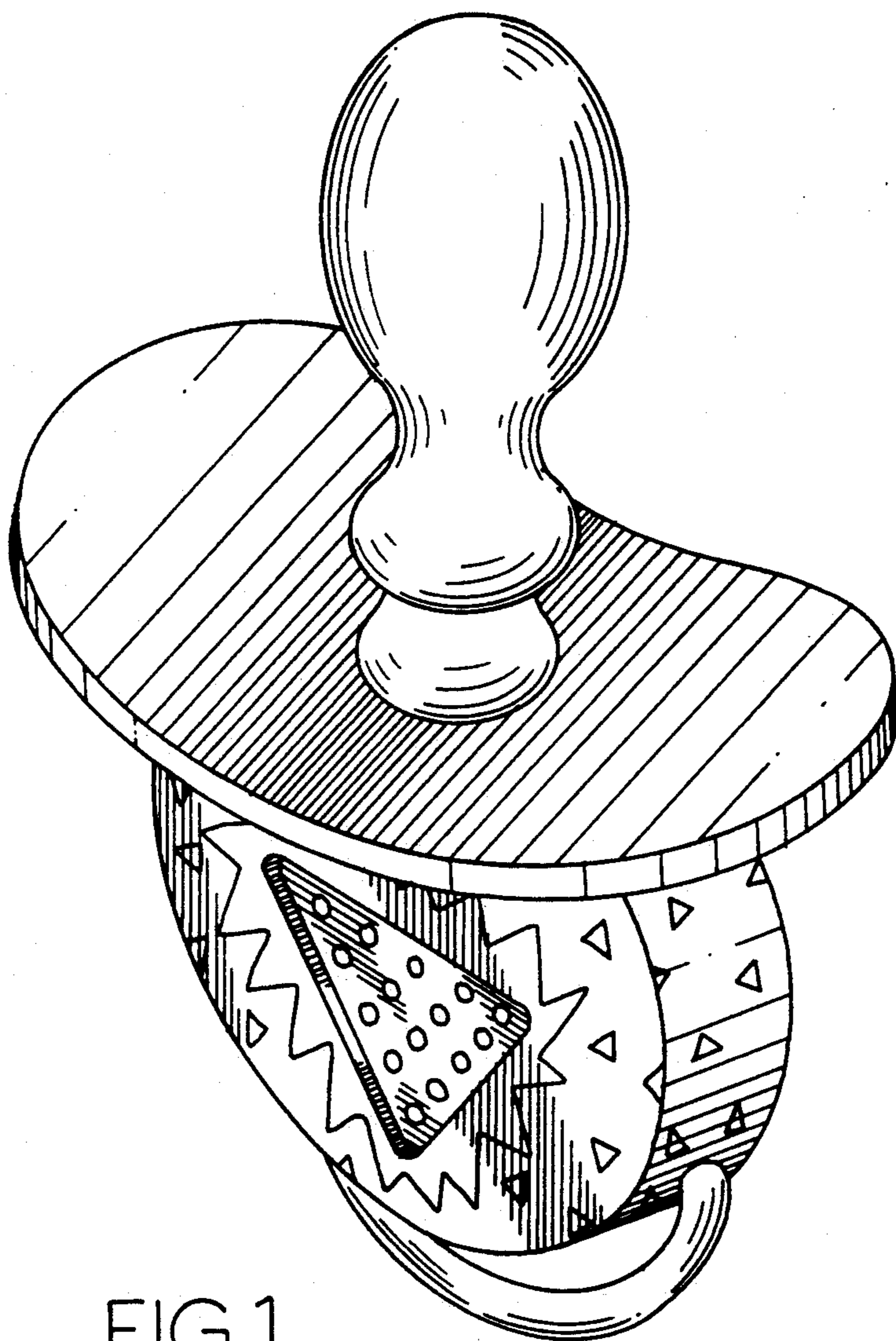


FIG.1.

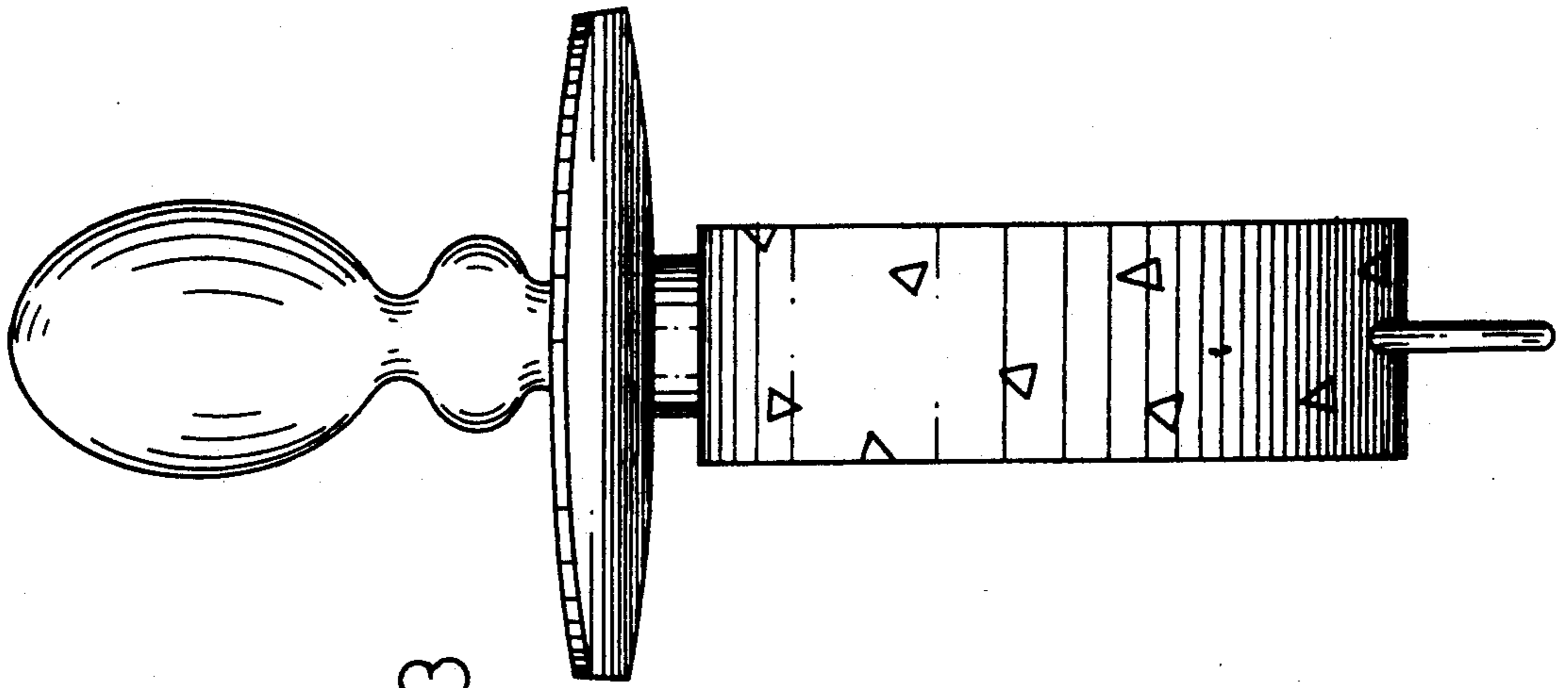


FIG. 3

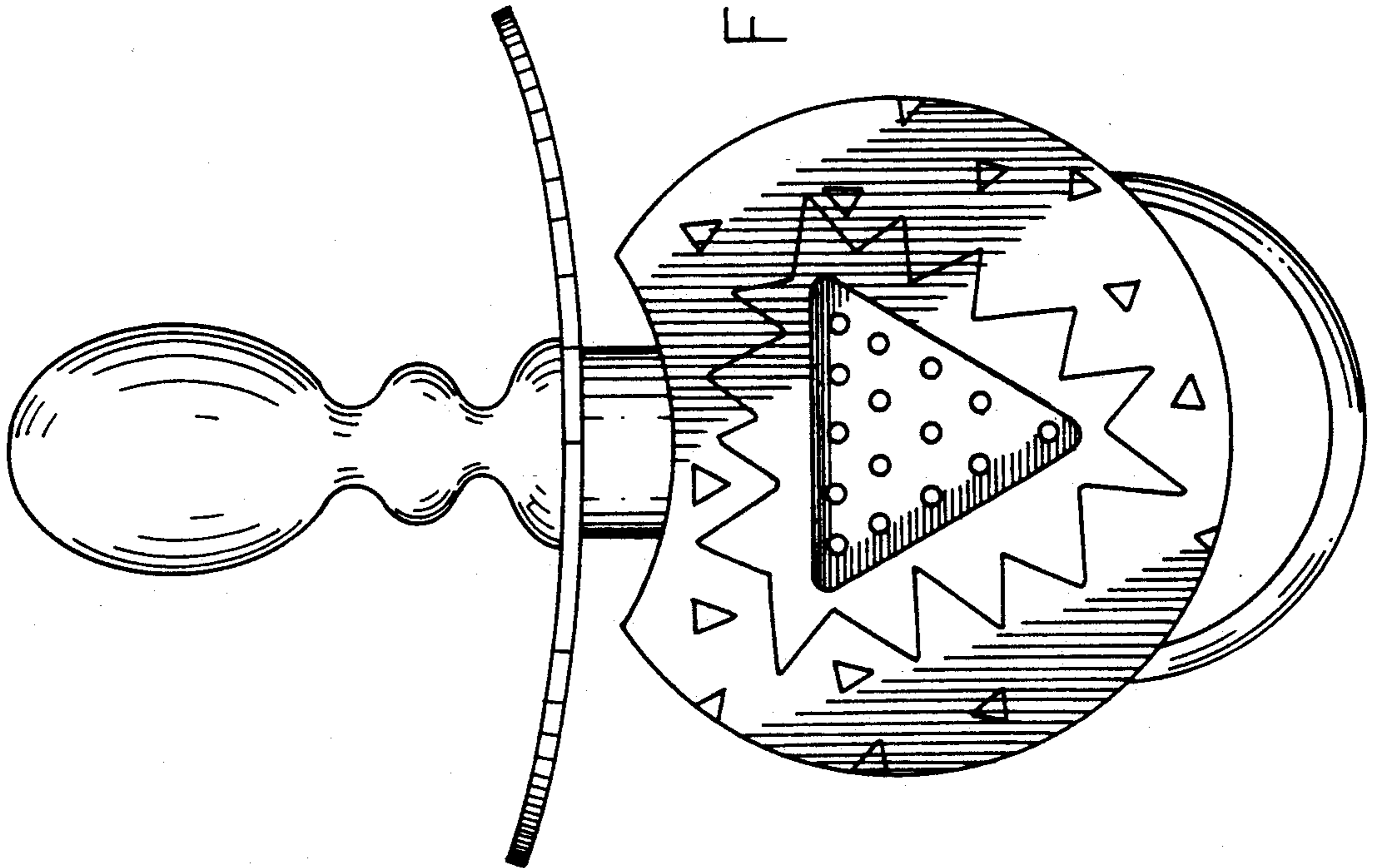


FIG. 2.

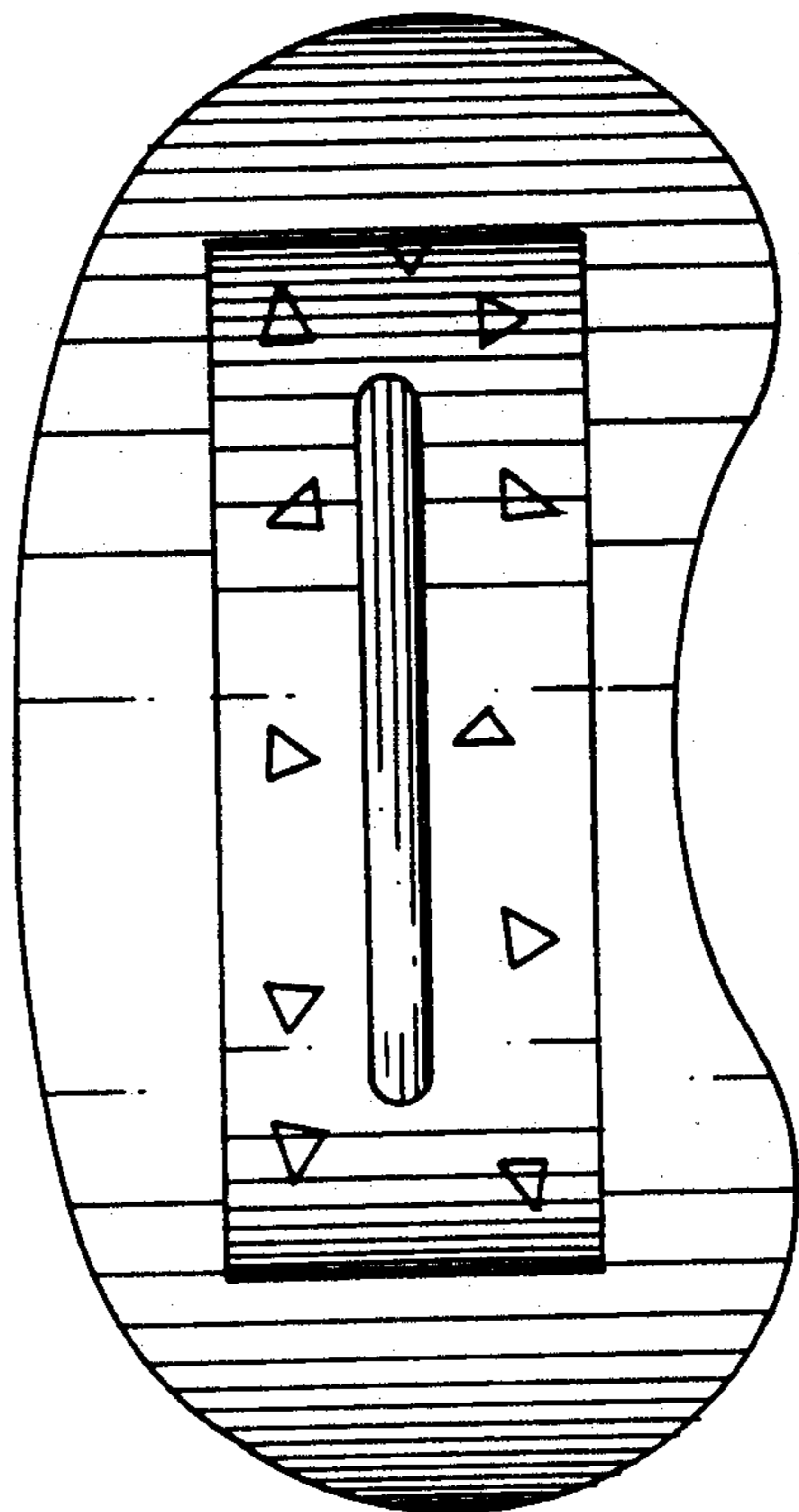


FIG. 5.

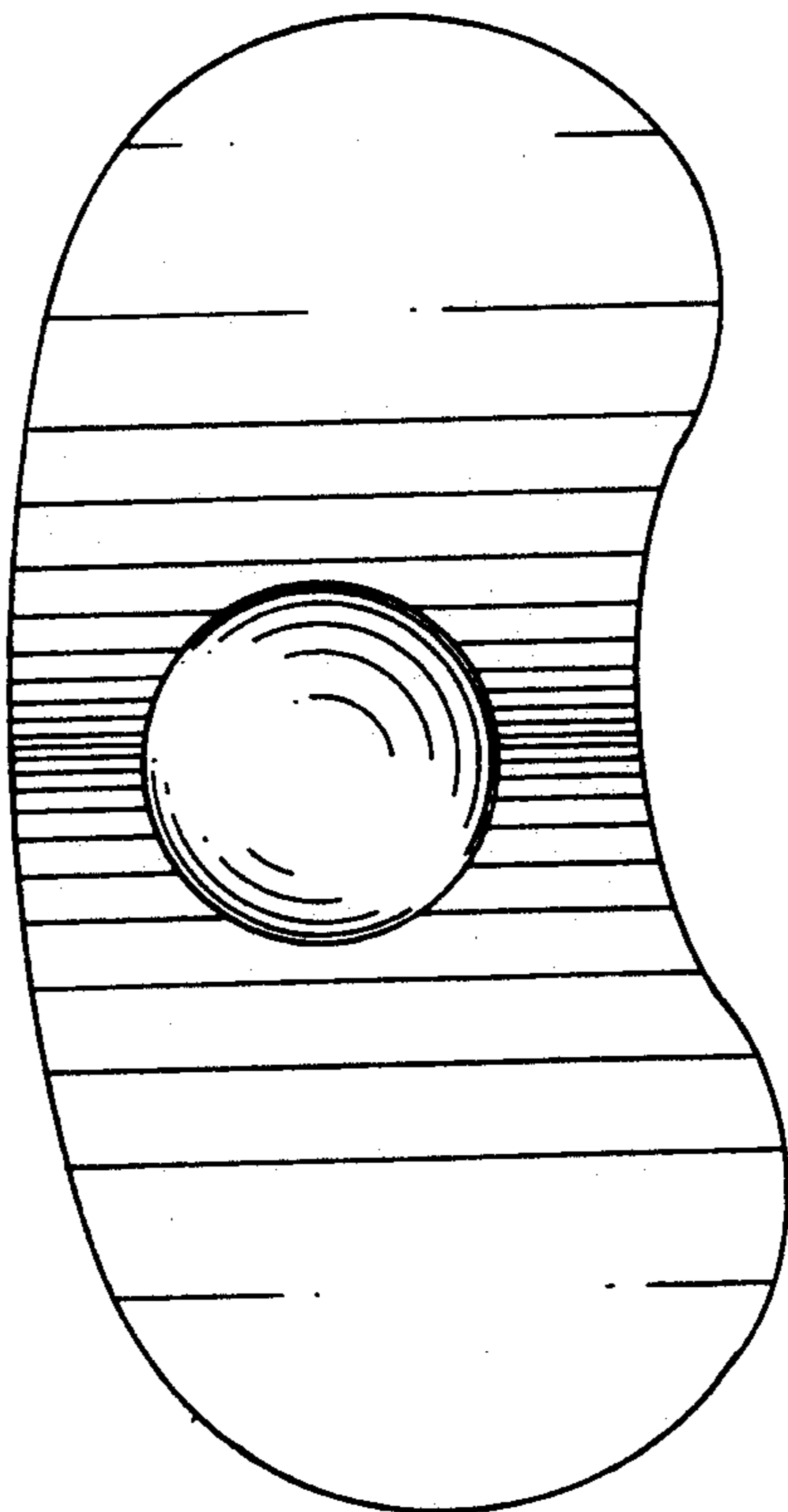


FIG. 4.