



US00D338531S

United States Patent [19]

[11] Patent Number: **Des. 338,531**

Howell

[45] Date of Patent: **** Aug. 17, 1993**

[54] **COMBINED DISPOSABLE BABY BOTTLE STAND AND AIR EXTRUDER**

2,968,414 1/1961 Thomas D24/197
3,648,873 3/1972 Grobbel 215/11.1

[76] Inventor: **Edward B. Howell**, 8165 Dewey Rd.,
Thompson, Ohio 44086

Primary Examiner—Stella Reid
Attorney, Agent, or Firm—Pearne, Gordon, McCoy &
Granger

[**] Term: **14 Years**

[57] **CLAIM**

[21] Appl. No.: **670,772**

The ornamental design for a combined disposable baby bottle stand and air extruder, as shown and described.

[22] Filed: **Mar. 18, 1991**

[52] U.S. Cl. **D24/193; D24/197**

[58] Field of Search **D24/193, 197; 215/11.5, 215/11.1, 11.3**

DESCRIPTION

[56] **References Cited**

U.S. PATENT DOCUMENTS

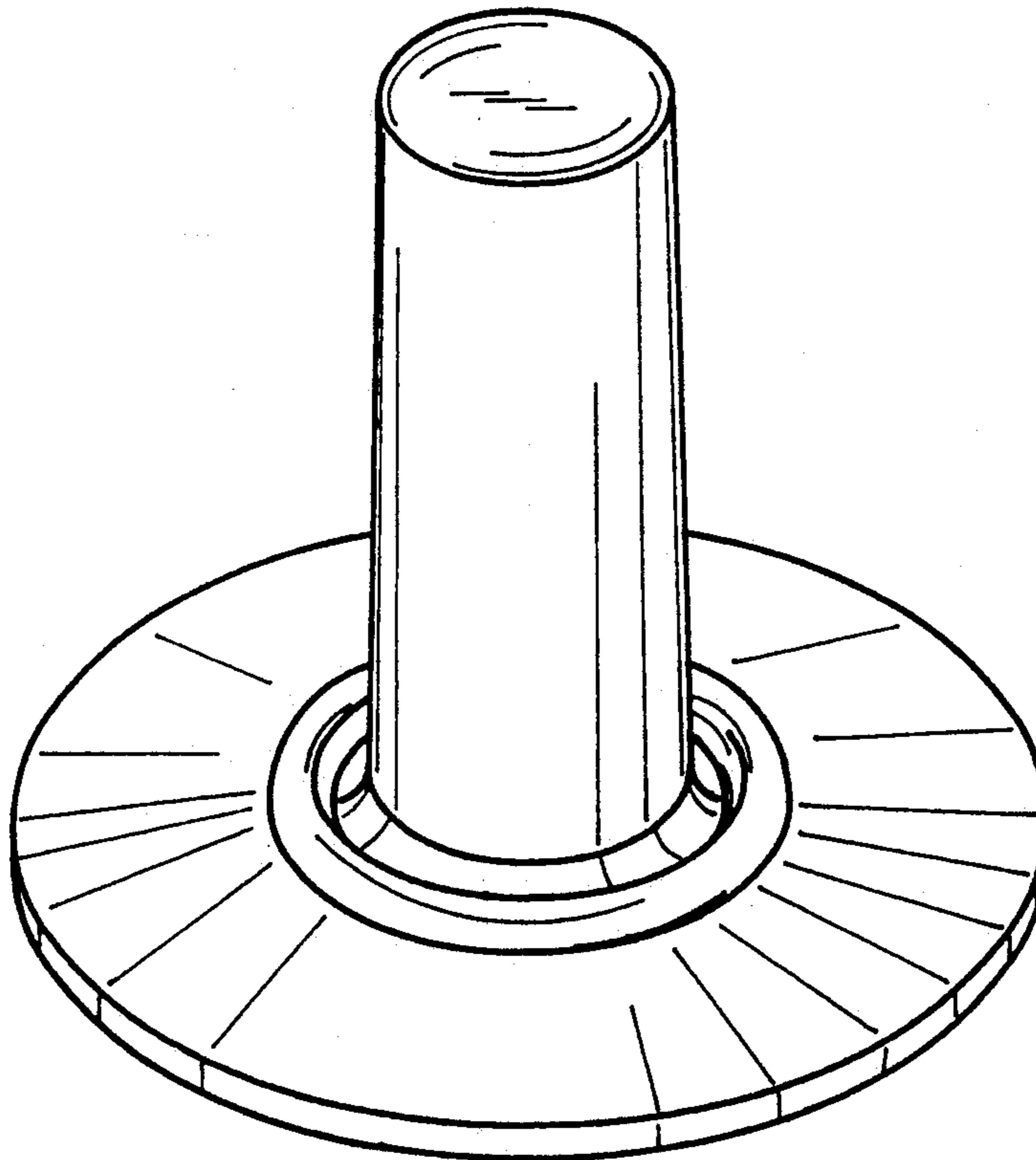
D. 329,289 9/1992 Bernstein et al. D24/193
D. 331,111 11/1992 Mazza et al. D24/193

FIG. 1 is a front perspective view of a combined disposable baby bottle stand and air extruder, showing my new design;

FIG. 2 is a top plan view thereof;

FIG. 3 is a side elevational view thereof, with all other sides being identical to that shown; and,

FIG. 4 is a bottom plan view thereof.



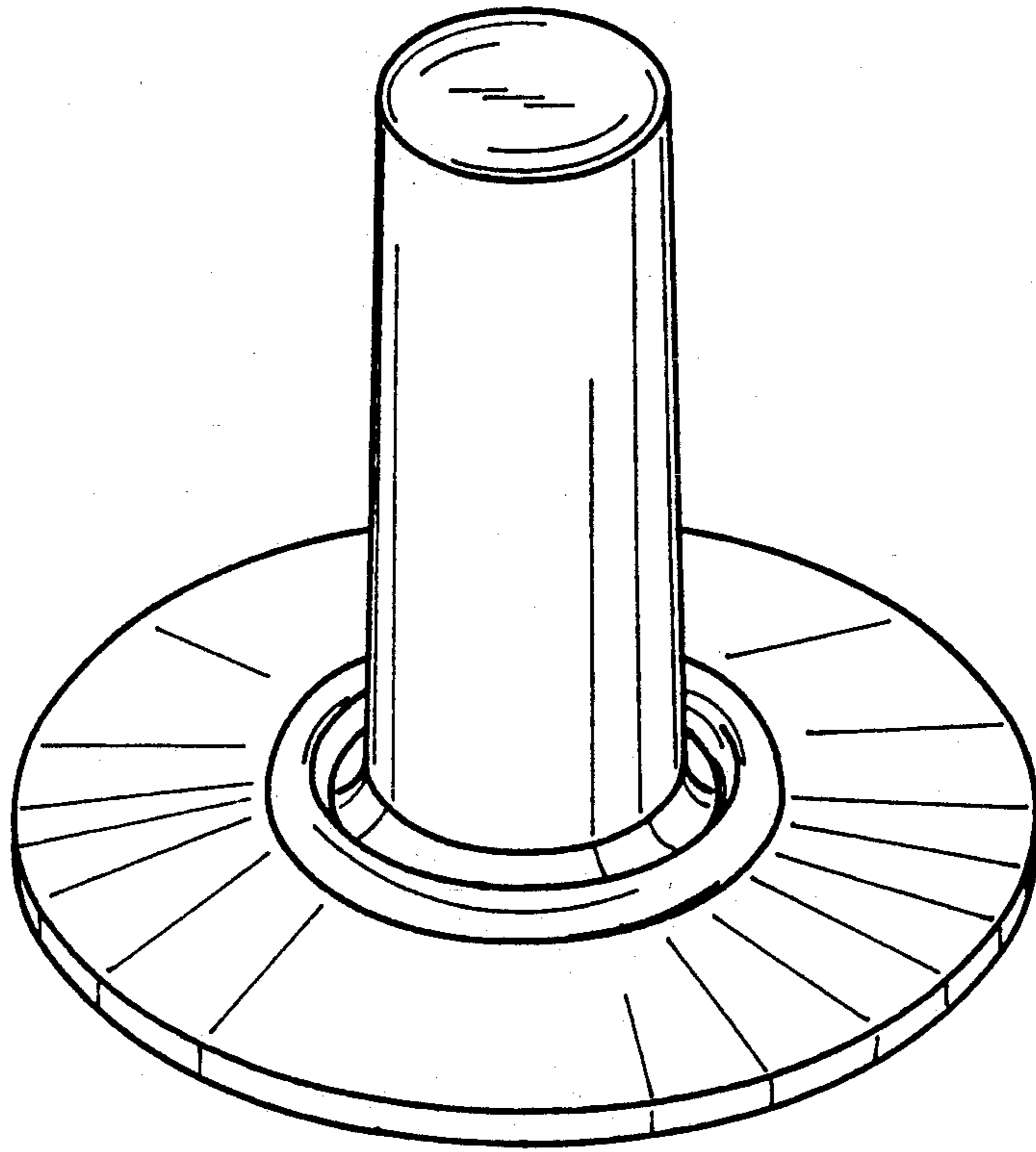


Fig. 1

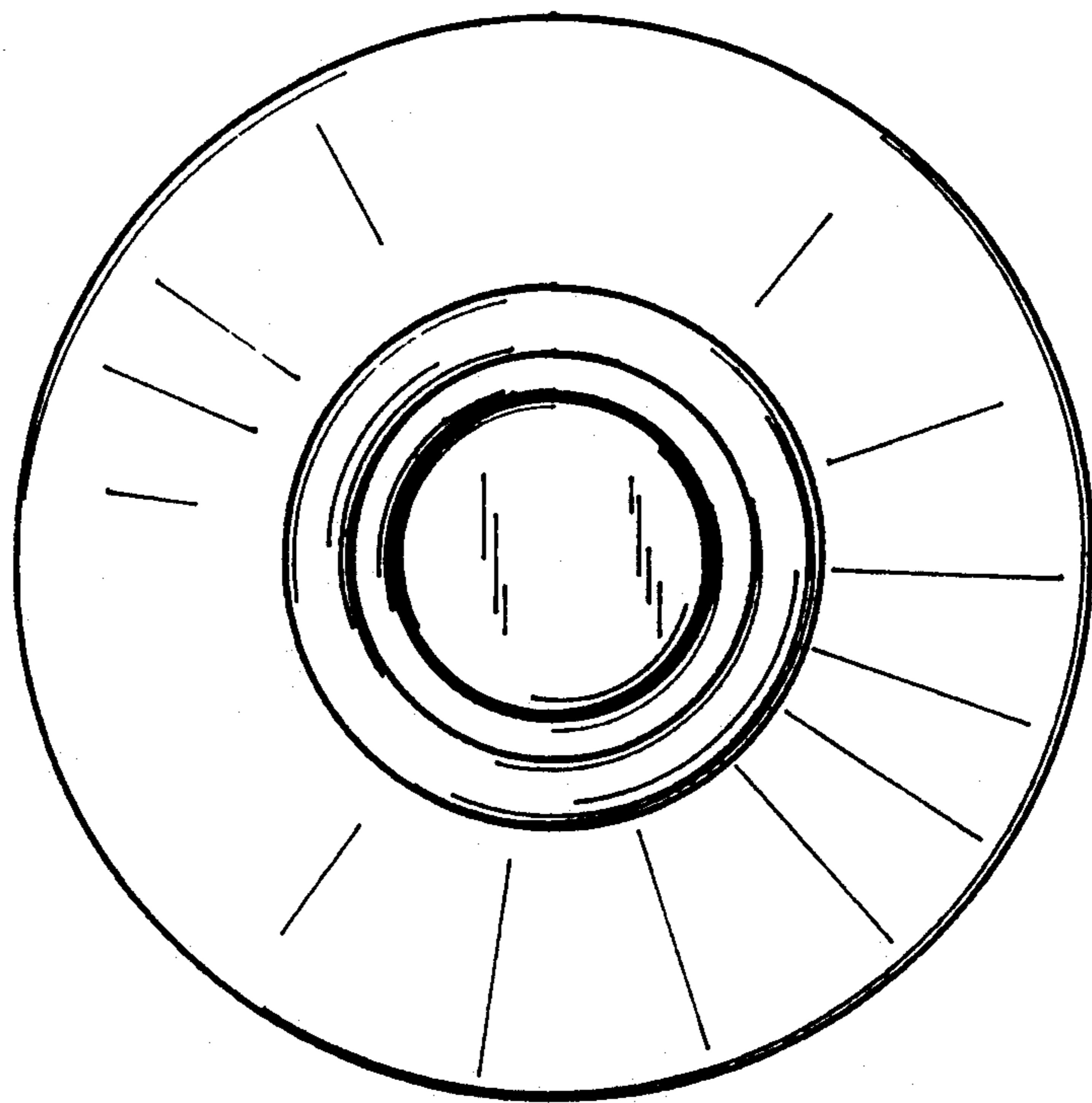


Fig. 2

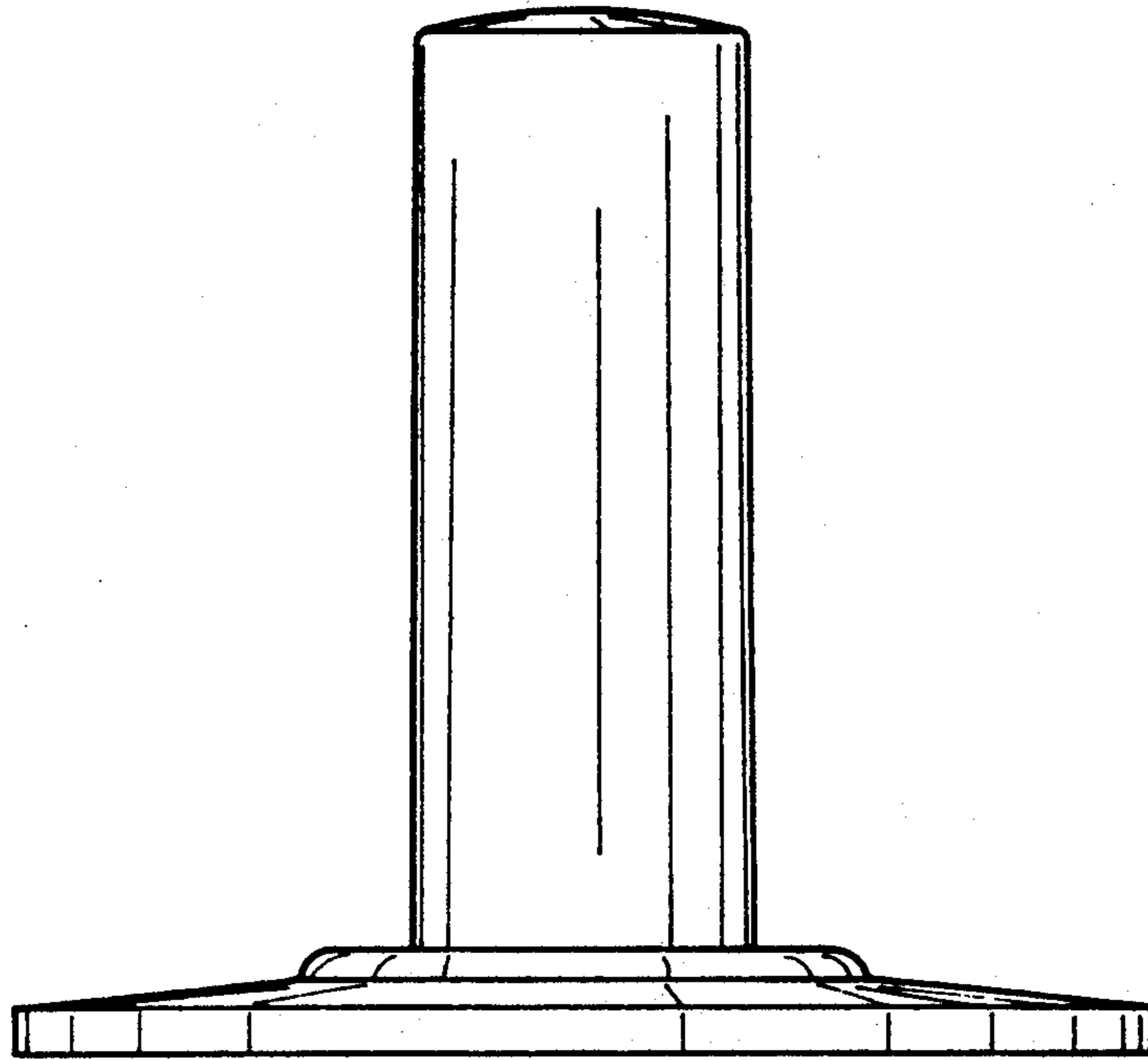


Fig. 3

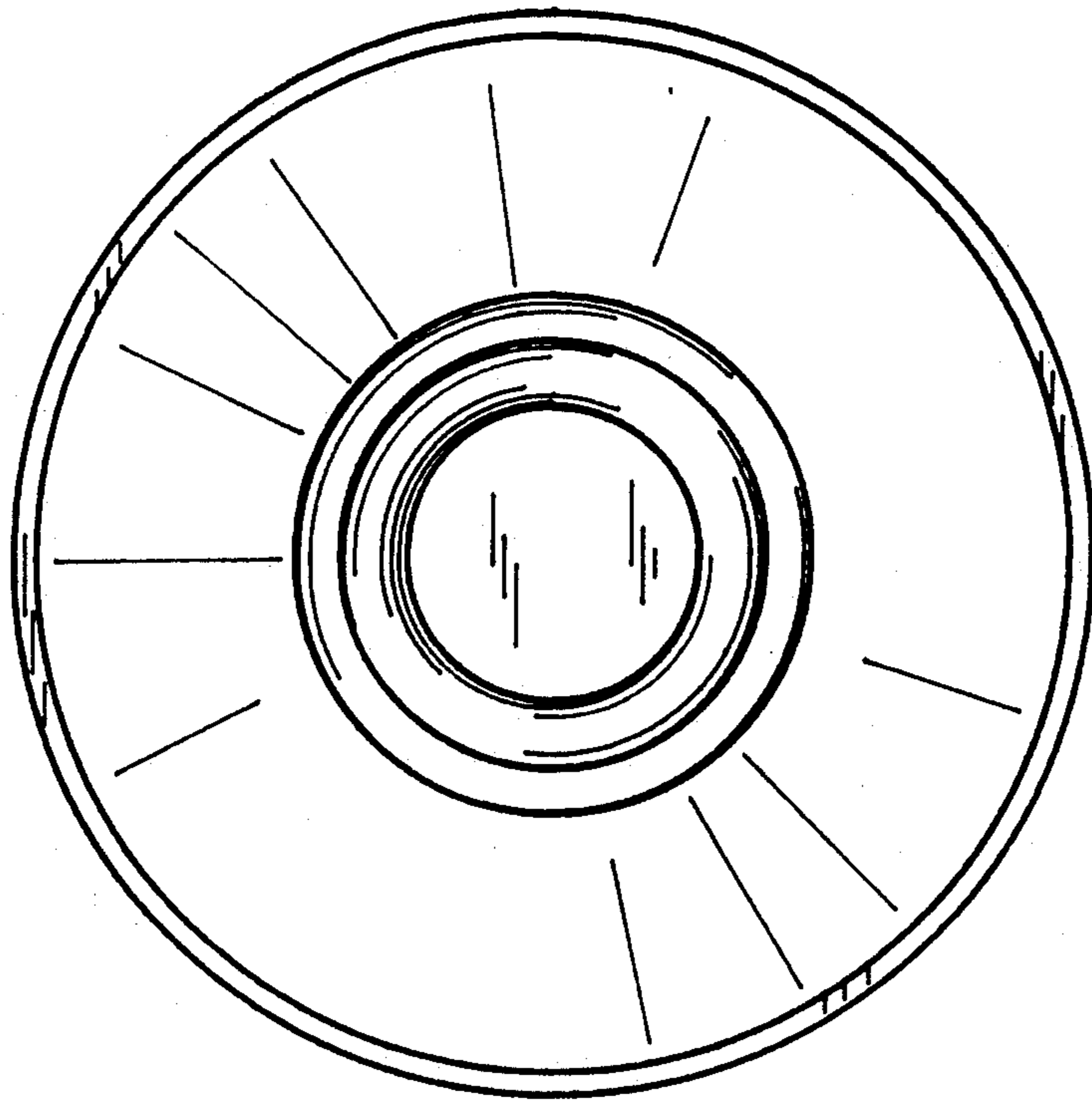


Fig. 4