



US00D338526S

# United States Patent [19]

[11] Patent Number: **Des. 338,526**

Reed et al.

[45] Date of Patent: **\*\* Aug. 17, 1993**

[54] **INSIDE CORNER FOR A HOT WATER BASEBOARD HEATING UNIT**

[75] Inventors: **John E. Reed, Westfield; Ray L. Bull, Springfield, both of Mass.**

[73] Assignee: **Mestek, Inc., Westfield, Mass.**

[\*\*] Term: **14 Years**

[21] Appl. No.: **884,110**

[22] Filed: **May 15, 1992**

[52] U.S. Cl. .... **D23/389**

[58] Field of Search ..... **D23/386-393; 454/287; D25/102**

[56] **References Cited**

**U.S. PATENT DOCUMENTS**

2,487,287	11/1949	Weber et al. ....	454/287
2,970,678	2/1961	Brinen .....	454/287
3,074,521	1/1963	Woods .....	454/287
3,141,499	7/1964	Bunten .....	165/55

**OTHER PUBLICATIONS**

Intertherm Cat., Apr. '87, p. 4, Inside corner Baseboard Heater, bottom left side of page.

Grainger's Spring 1986 Cat., p. '86, Baseboard Heater Inside Corner, B lower left side of page.

*Primary Examiner*—Wallace R. Burke

*Assistant Examiner*—Lisa Lichtenstein

*Attorney, Agent, or Firm*—Fishman, Dionne & Cantor

[57] **CLAIM**

The ornamental design for an inside corner for a hot water baseboard heating unit, as shown.

**DESCRIPTION**

FIG. 1 is a front left side elevation view of an inside corner for a hot heater baseboard heating unit showing our new design;

FIG. 2 is a front right side elevation view thereof;

FIG. 3 is a rear left side elevation view thereof;

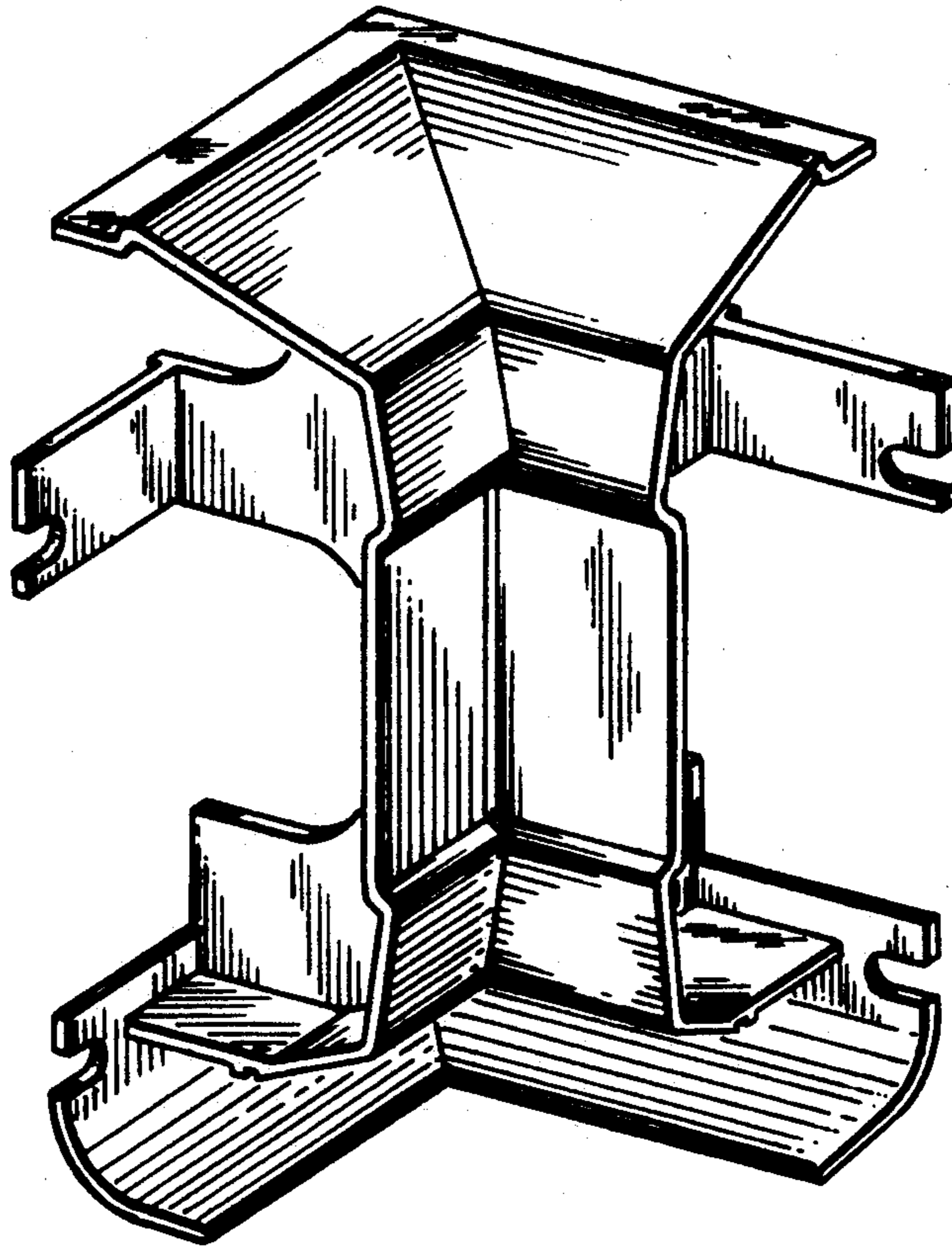
FIG. 4 is a rear right side elevation view thereof;

FIG. 5 is a top view thereof;

FIG. 6 is a bottom view thereof;

FIG. 7 is a front left perspective view thereof; and,

FIG. 8 is a right rear perspective view thereof.



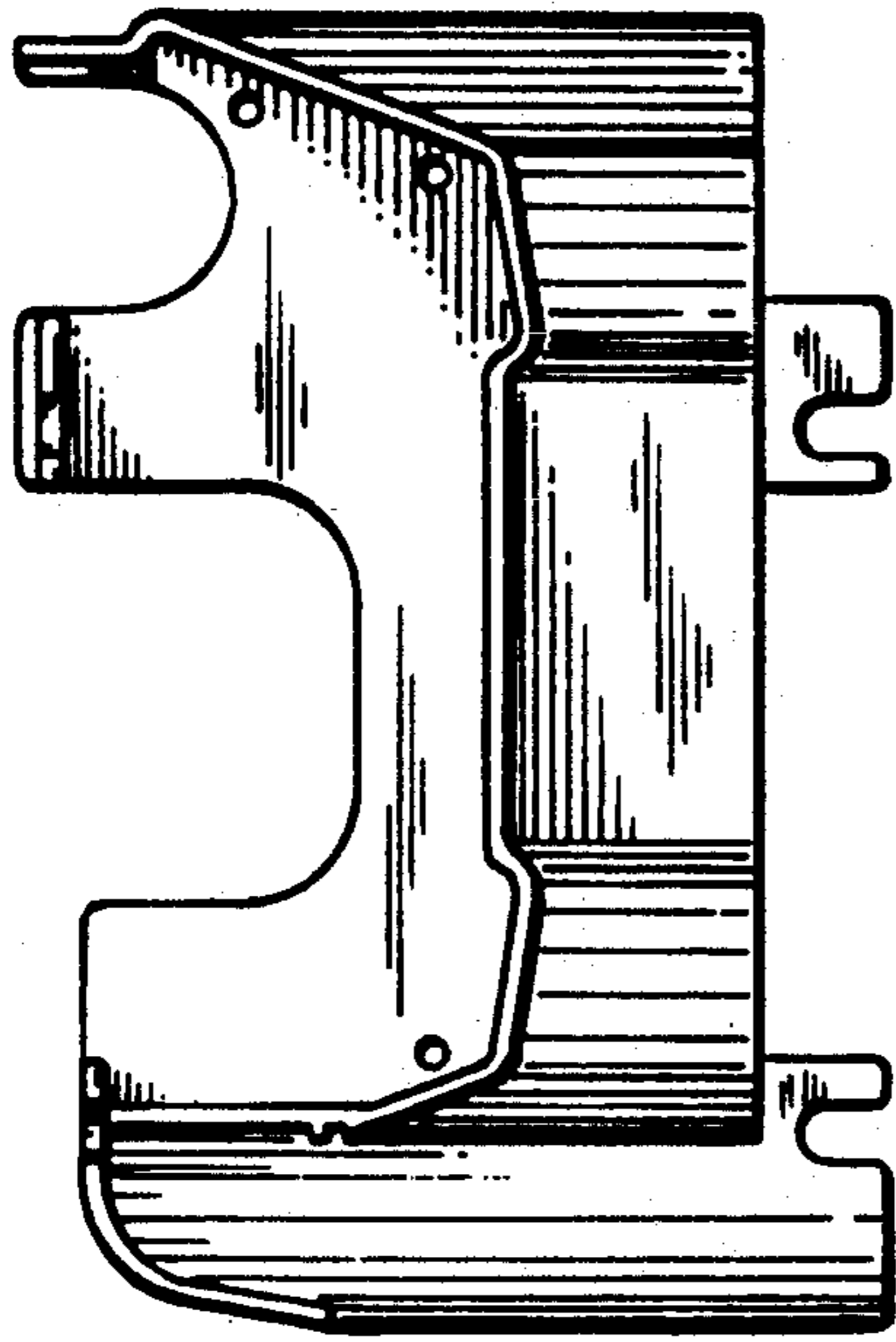


FIG. 1

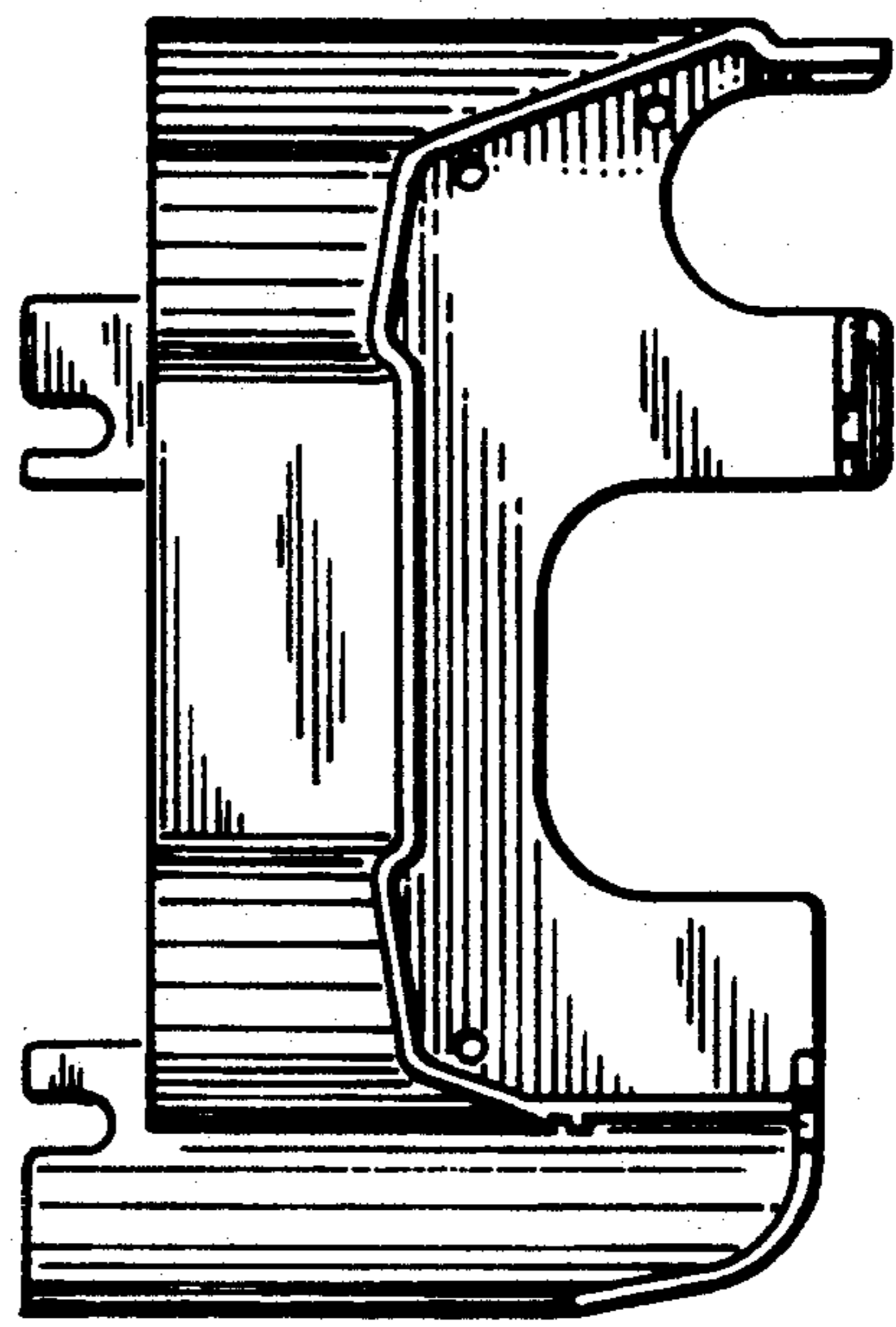


FIG. 2

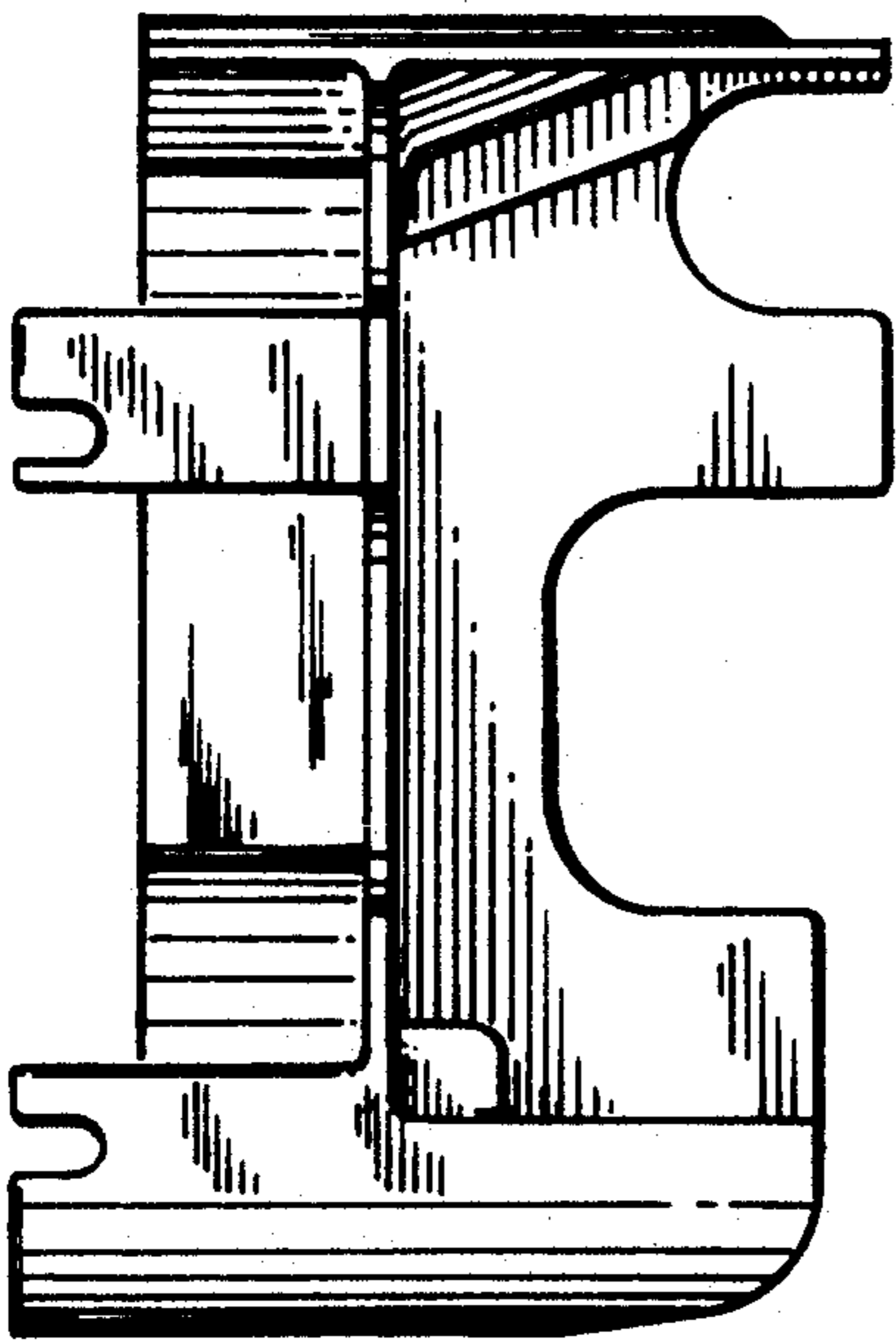


FIG. 3

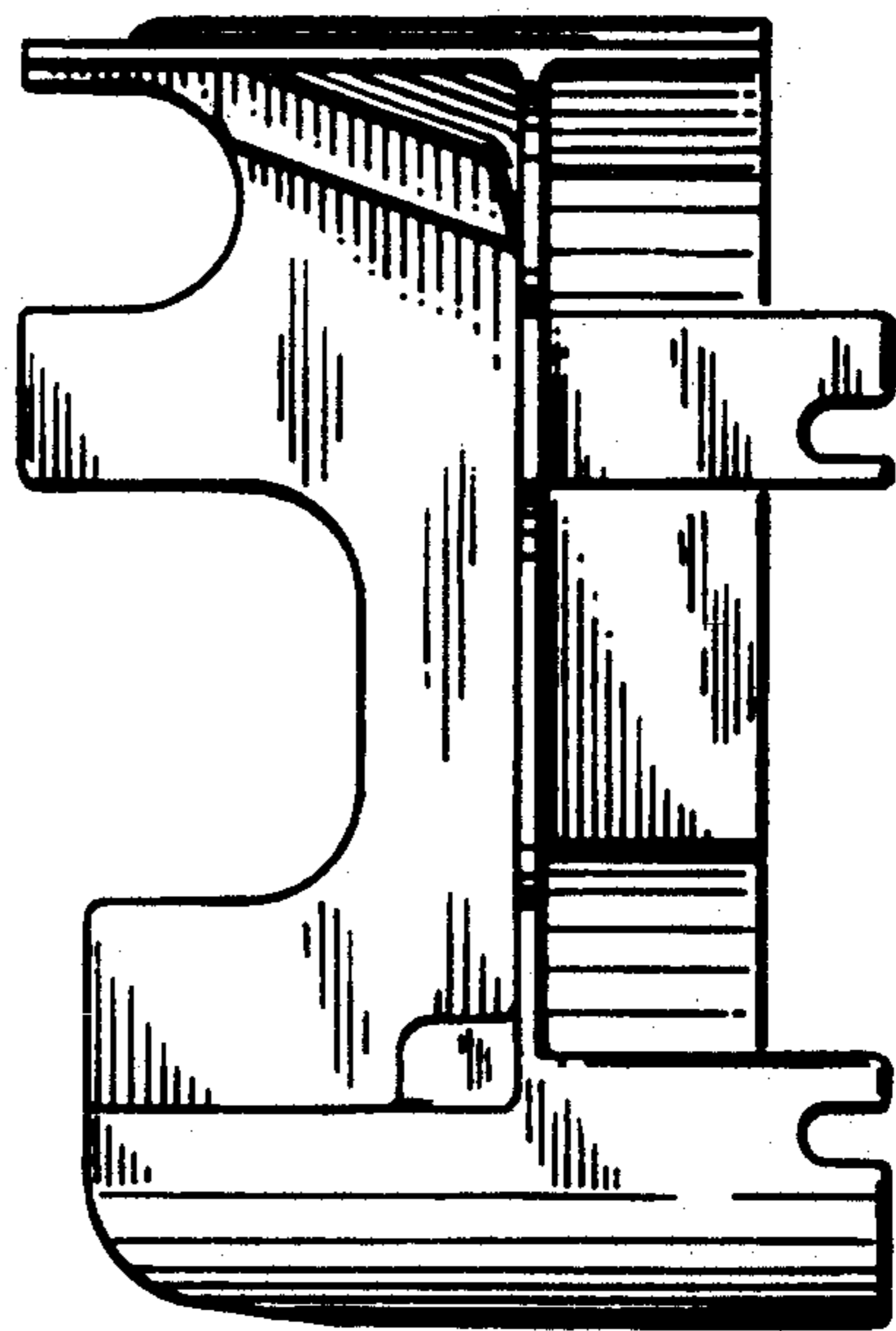


FIG. 4

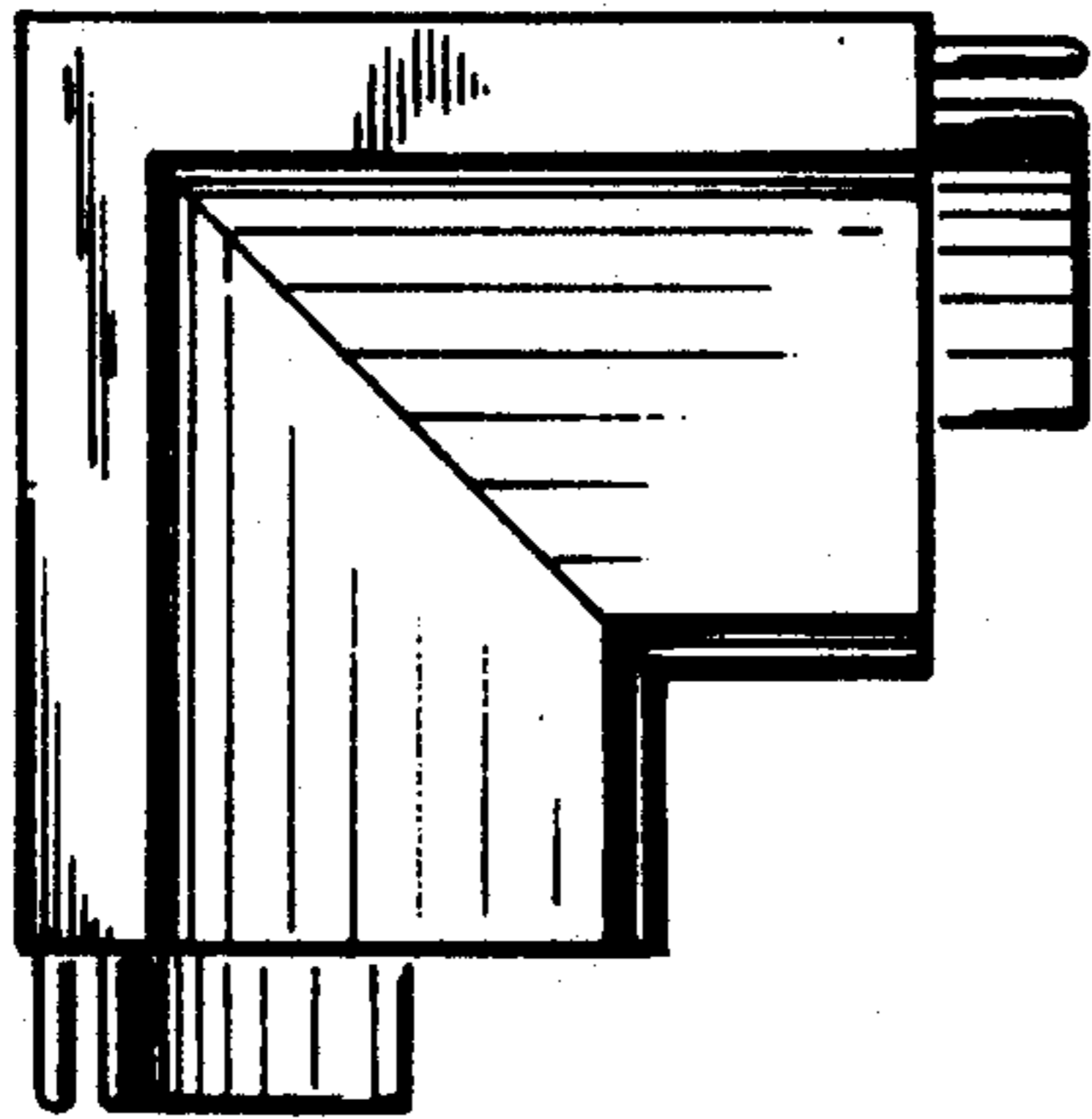


FIG. 5

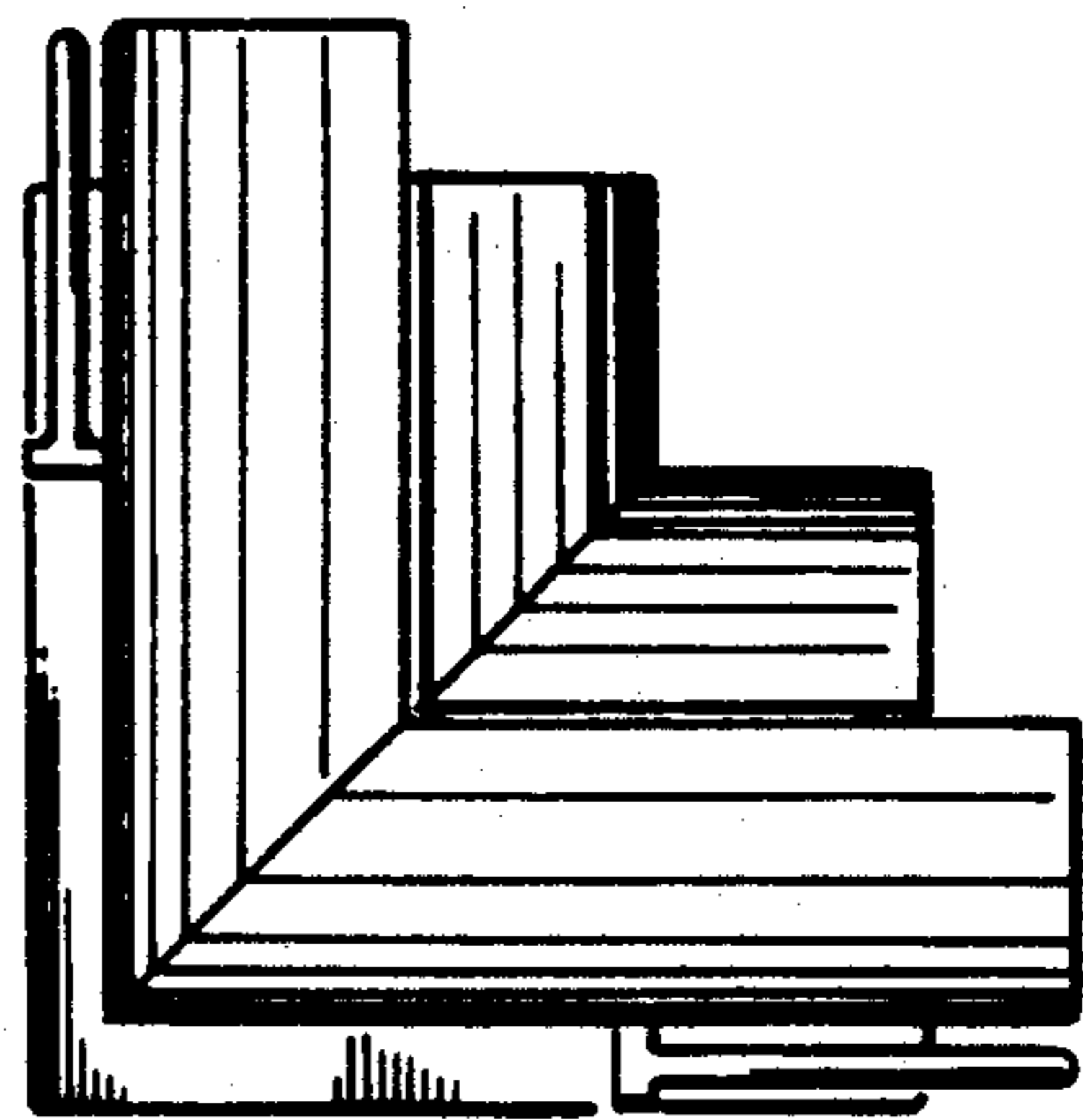


FIG. 6

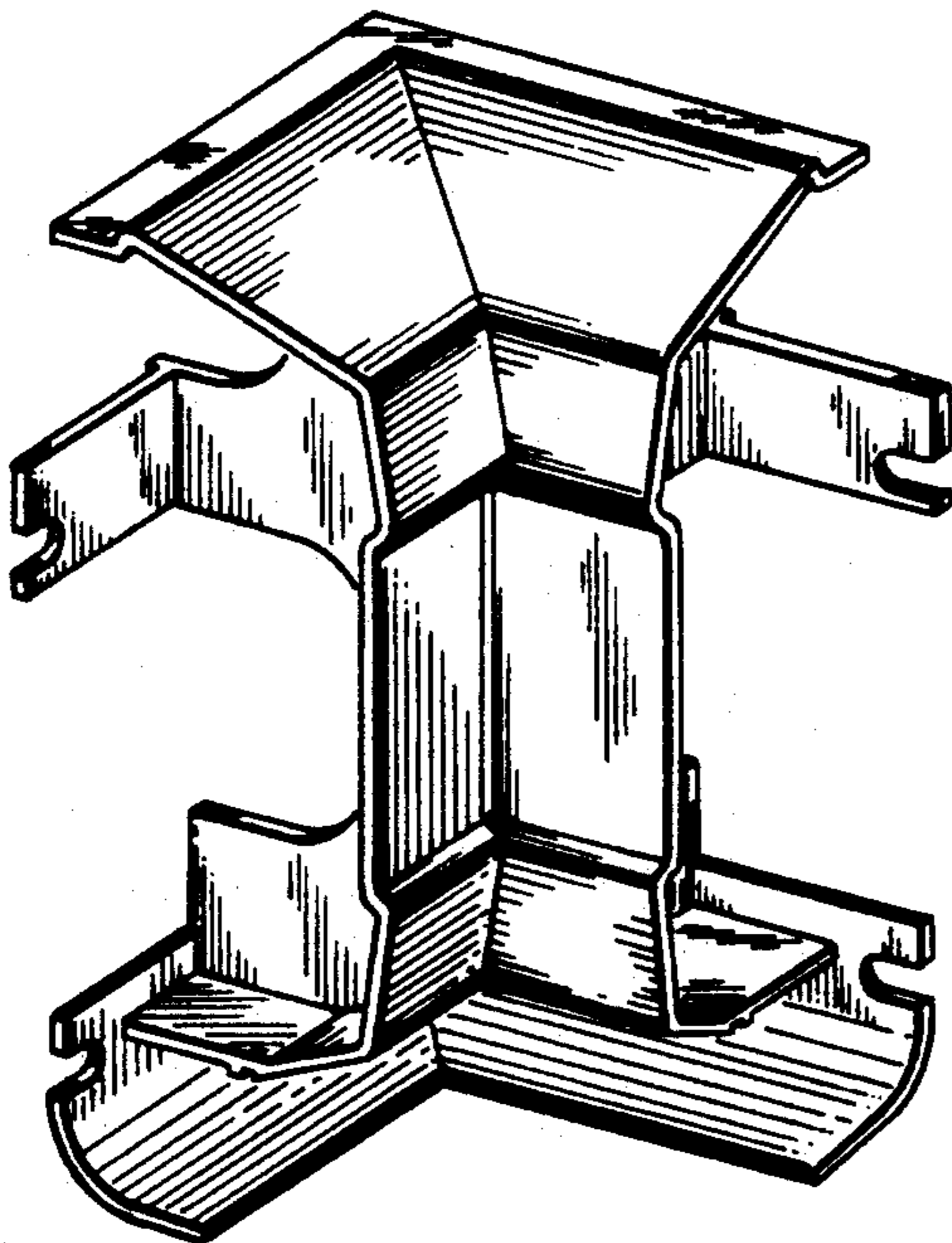


FIG. 7

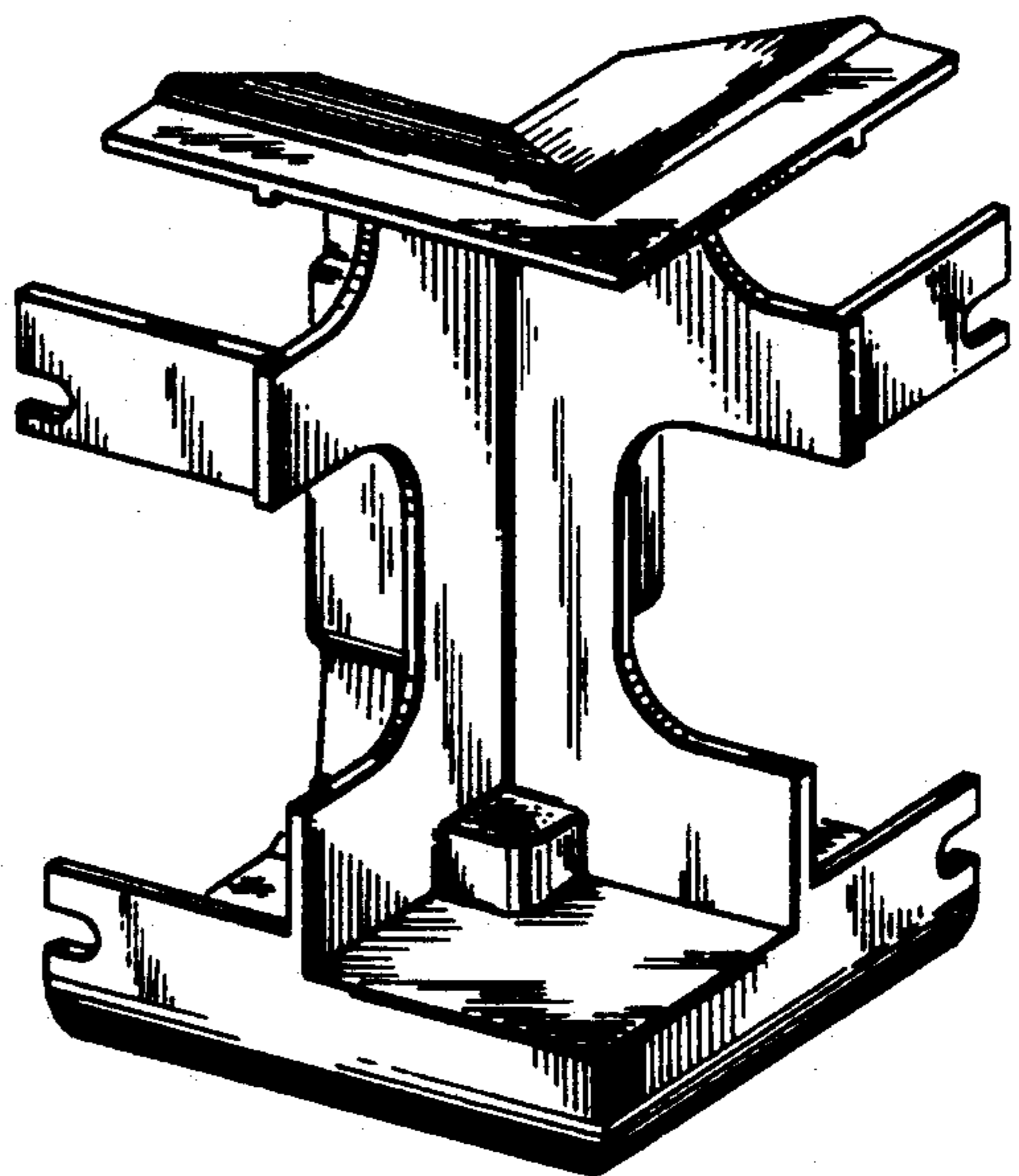


FIG. 8