



US00D338525S

United States Patent [19]

[11] Patent Number: **Des. 338,525**

Rotunno

[45] Date of Patent: **** Aug. 17, 1993**

[54] **DEVICE FOR CIRCULATING AIR FROM A BASEBOARD HEATER**

[76] Inventor: **Jeffrey S. Rotunno, 3 Orange Ct., Mount Sinai, N.Y. 11766**

[**] Term: **14 Years**

[21] Appl. No.: **726,534**

[22] Filed: **Jul. 8, 1991**

[52] U.S. Cl. **D23/389**

[58] Field of Search **D23/389; 165/137; 454/287, 903**

[56] **References Cited**

U.S. PATENT DOCUMENTS

4,300,441	11/1981	Dicks	98/40.03
4,511,786	4/1985	Jansen	392/353
4,523,081	6/1985	Geib	392/352

*Primary Examiner—Wallace R. Burke
Assistant Examiner—Lisa Lichtenstein
Attorney, Agent, or Firm—Terry M. Gernstein*

[57] **CLAIM**

The ornamental design for a device for circulating air from a baseboard heater, as shown.

DESCRIPTION

FIG. 1 is a perspective view of the device for circulating air from a baseboard heater embodying the design of the present invention;

FIG. 2 is a front elevational view thereof;

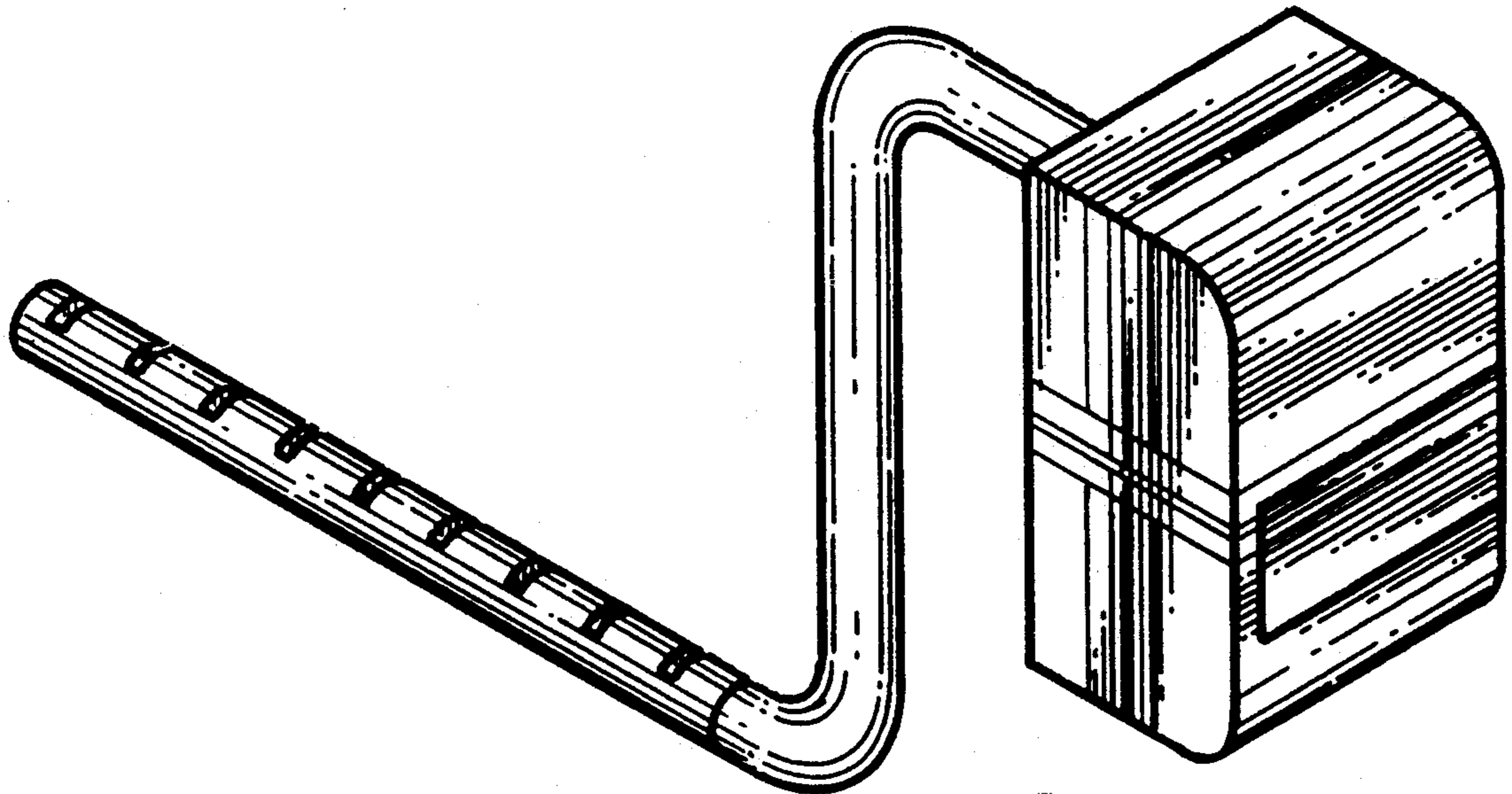
FIG. 3 is a rear elevational view thereof;

FIG. 4 is an end elevational view thereof;

FIG. 5 is an end elevational view thereof;

FIG. 6 is a top plan view thereof; and,

FIG. 7 is a bottom plan view thereof.



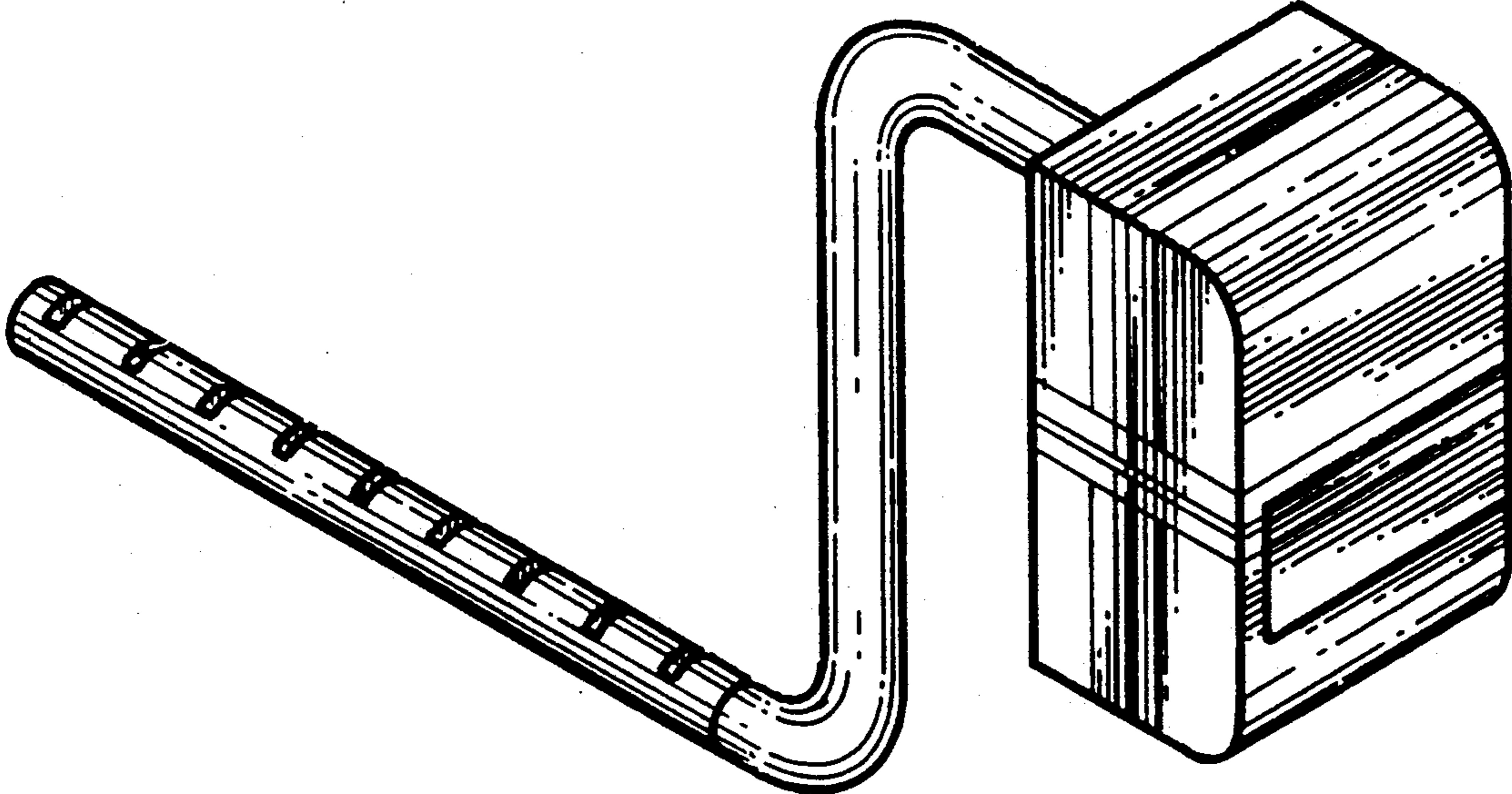


FIG. 1

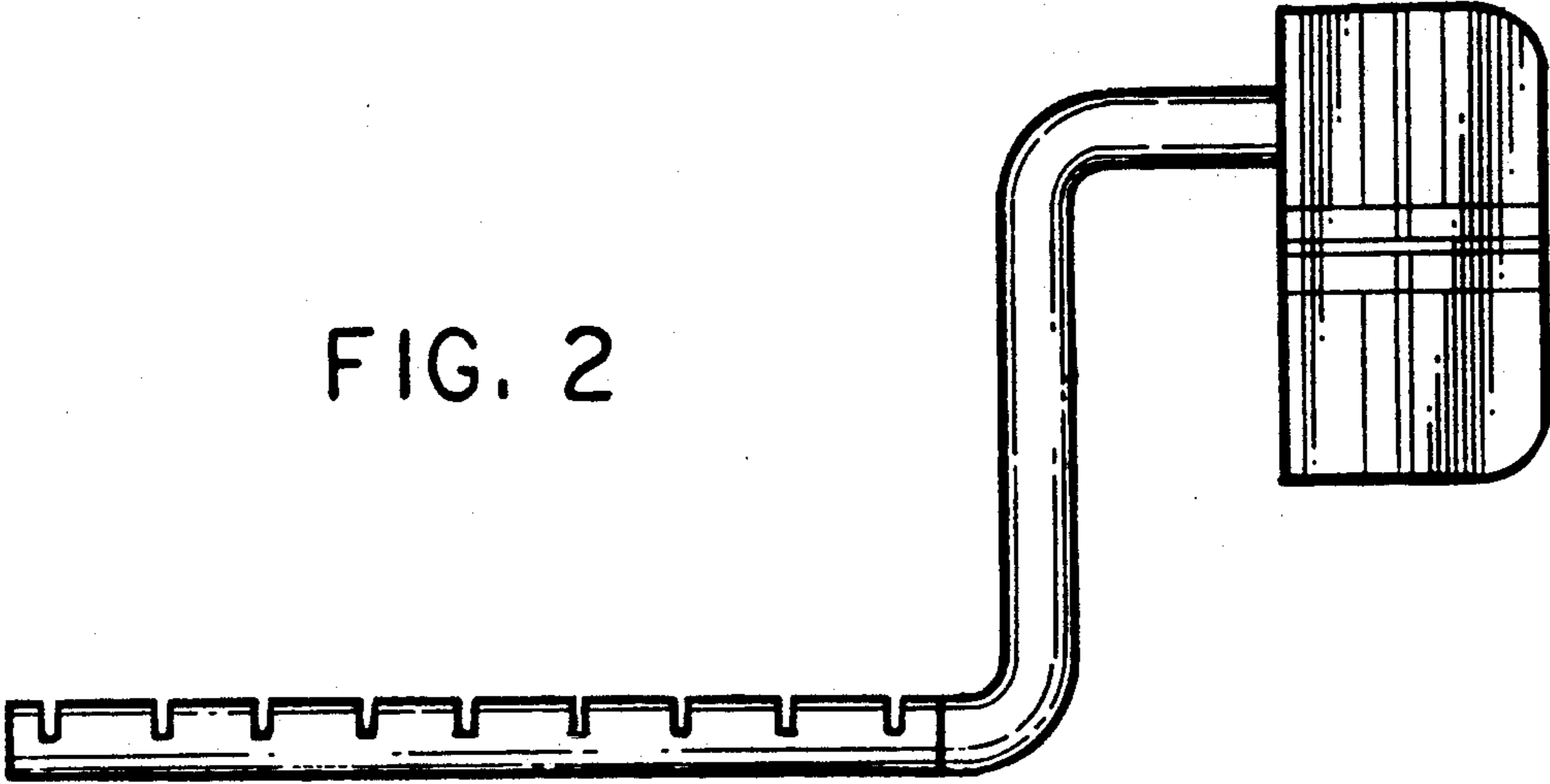


FIG. 2

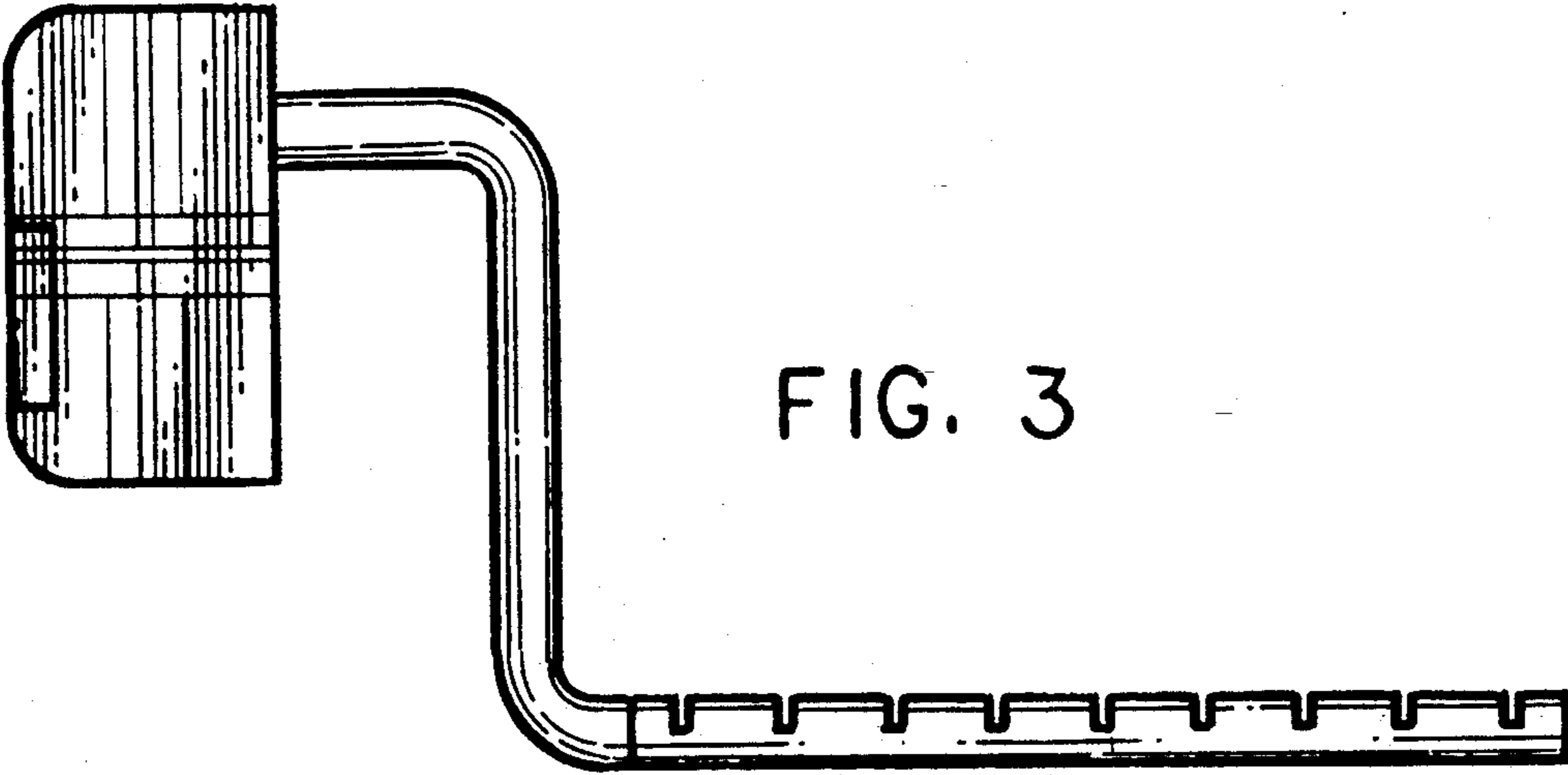


FIG. 3

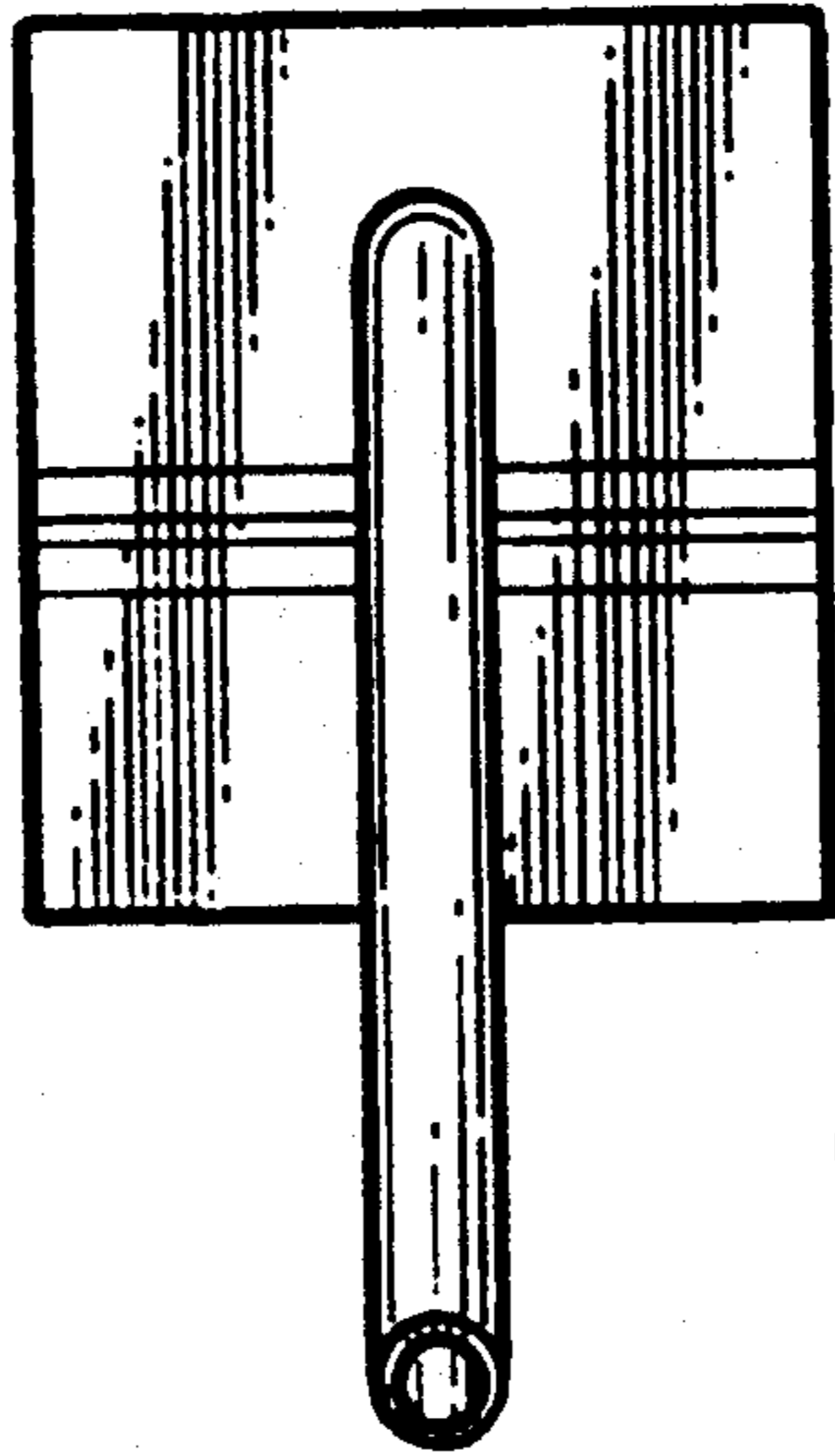


FIG. 4

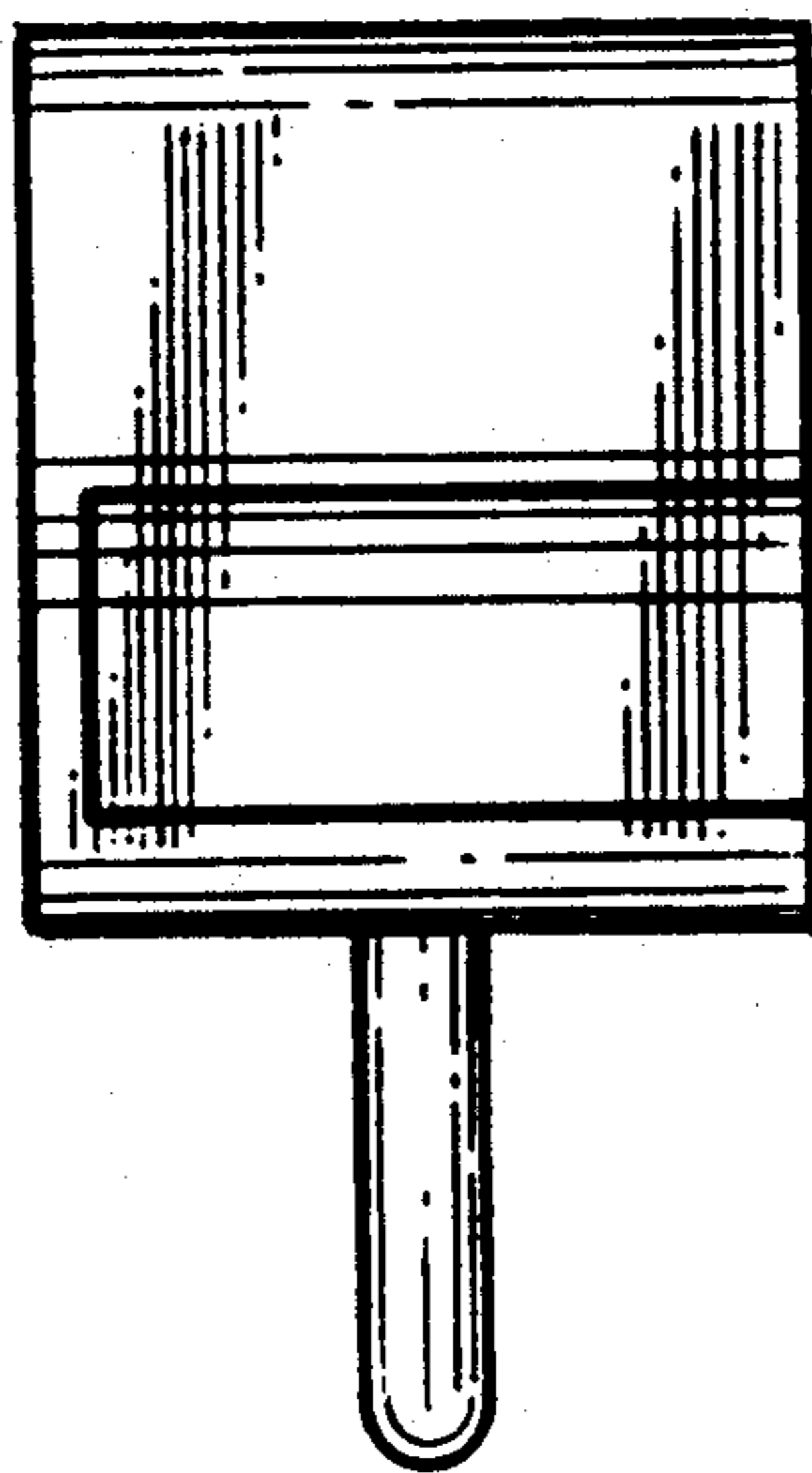


FIG. 5

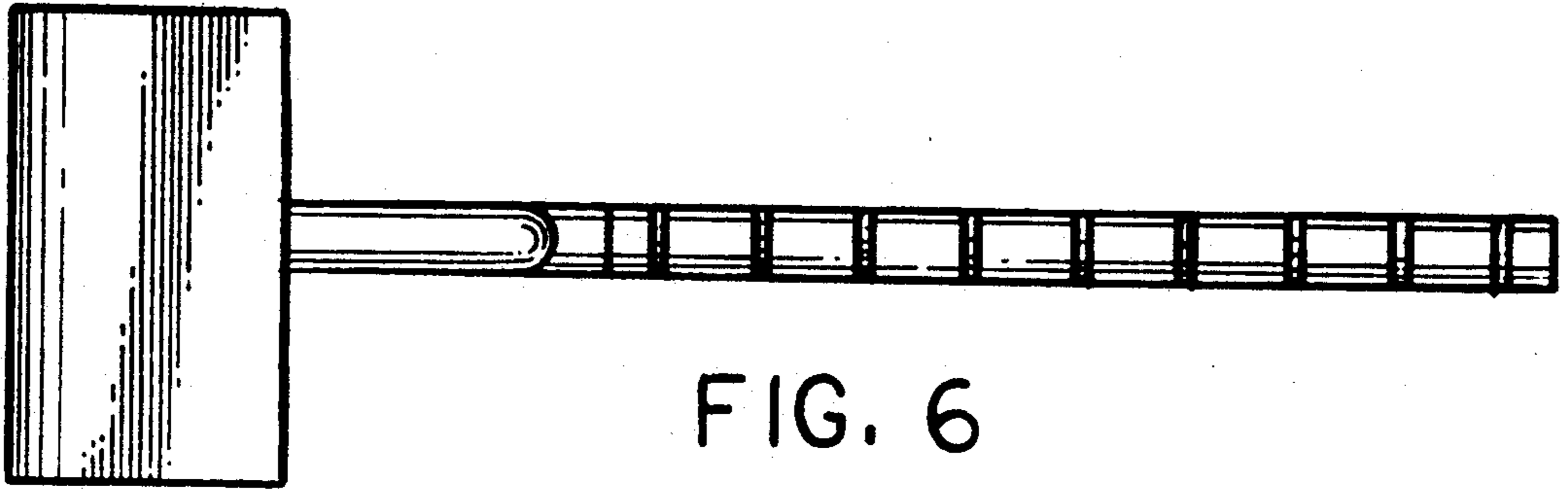


FIG. 6

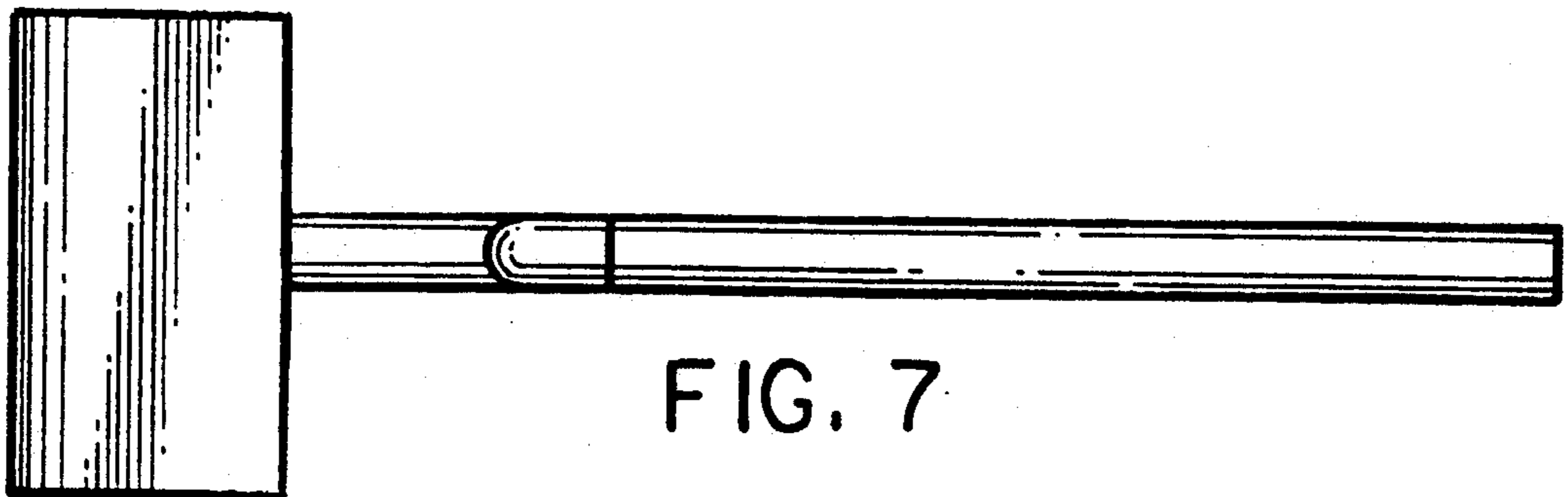


FIG. 7