



US00D338524S

United States Patent [19]

[11] Patent Number: **Des. 338,524**

Allestad et al.

[45] Date of Patent: **** Aug. 17, 1993**

[54] **FREEZER AMBIENT AIR EXCHANGE DEVICE**

Assistant Examiner—Lisa Lichtenstein
Attorney, Agent, or Firm—Terry M. Gernstein

[76] Inventors: **Lars Allestad; Oscar Allestad**, both of
153 New Meadows Dr., Missoula,
Mont. 59802

[57] **CLAIM**

The ornamental design for a freezer ambient air exchange device, as shown and described.

[**] Term: **14 Years**

DESCRIPTION

[21] Appl. No.: **873,054**

FIG. 1 is a perspective view of the freezer ambient air exchange device embodying the design of the present invention;

[22] Filed: **Apr. 24, 1992**

[52] U.S. Cl. **D23/386**

FIG. 2 is a front elevational view thereof;

[58] Field of Search **D23/386, 387, 390;**
454/231, 233; 62/259.1

FIG. 3 is a rear elevational view thereof;

FIG. 4 is a side elevational view thereof;

FIG. 5 is a side elevational view thereof;

FIG. 6 is a top plan view thereof; and,

FIG. 7 is a bottom view thereof.

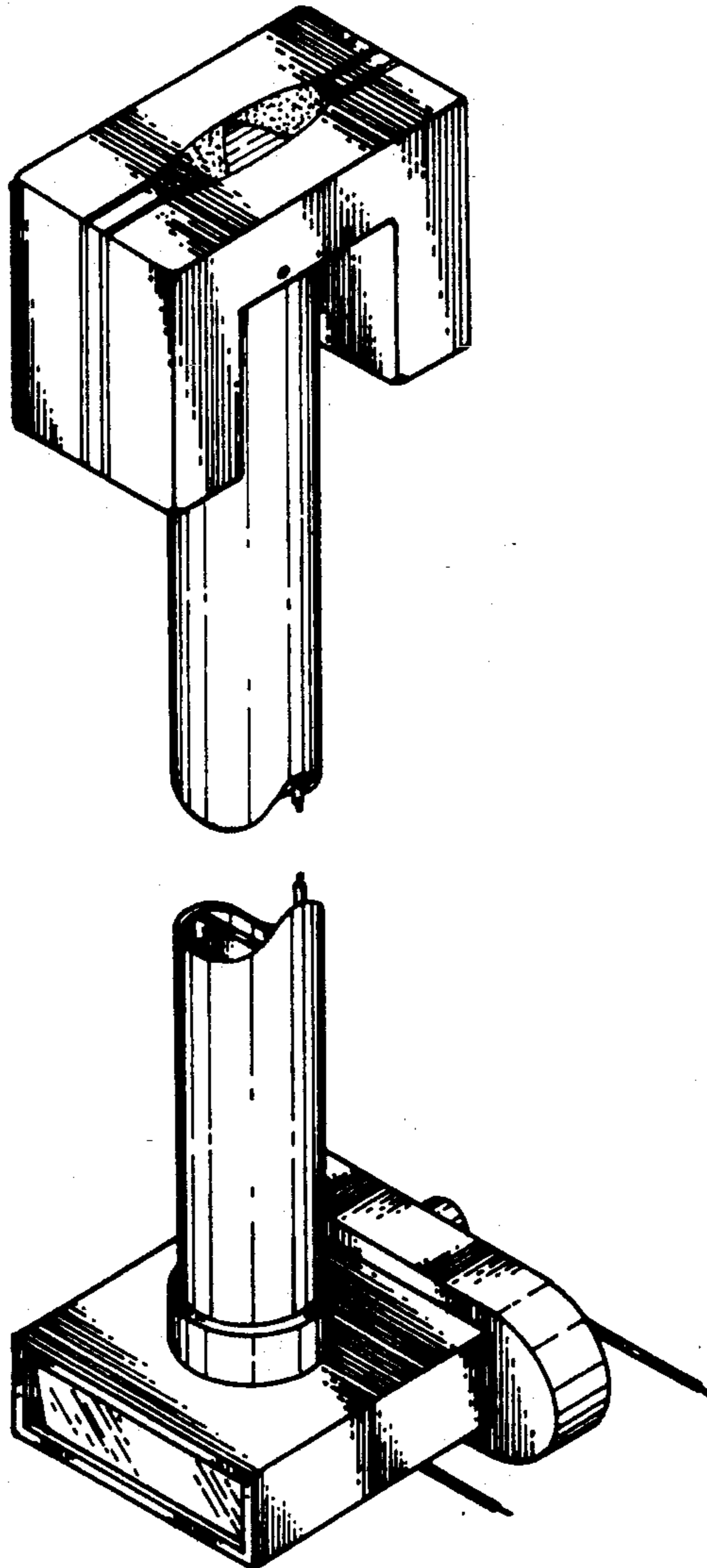
[56] **References Cited**

U.S. PATENT DOCUMENTS

D. 297,158 8/1988 Marton et al. **D23/387**

The vertical tubular portion has been broken away in the middle in FIGS. 1-5, to indicate indeterminate length.

Primary Examiner—Wallace R. Burke



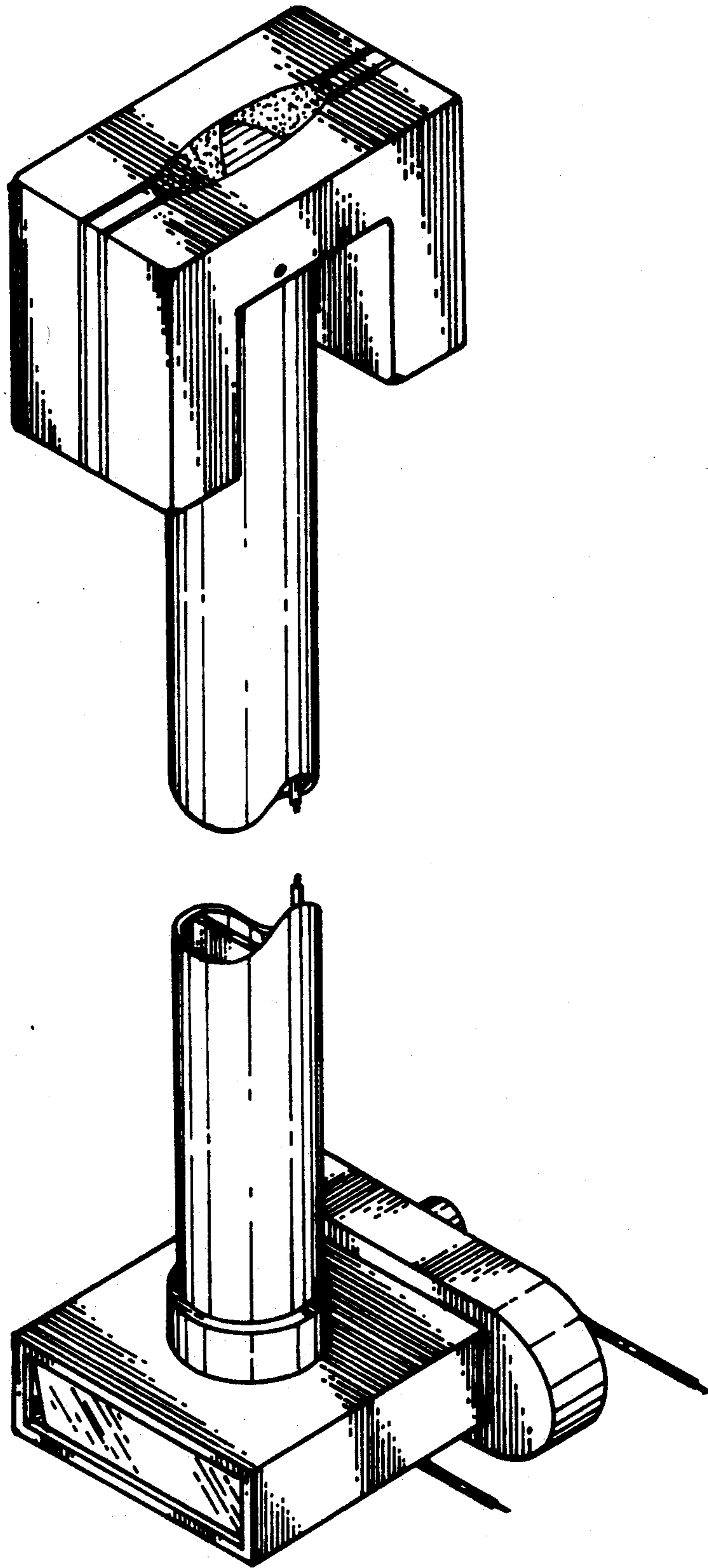


FIG. 1

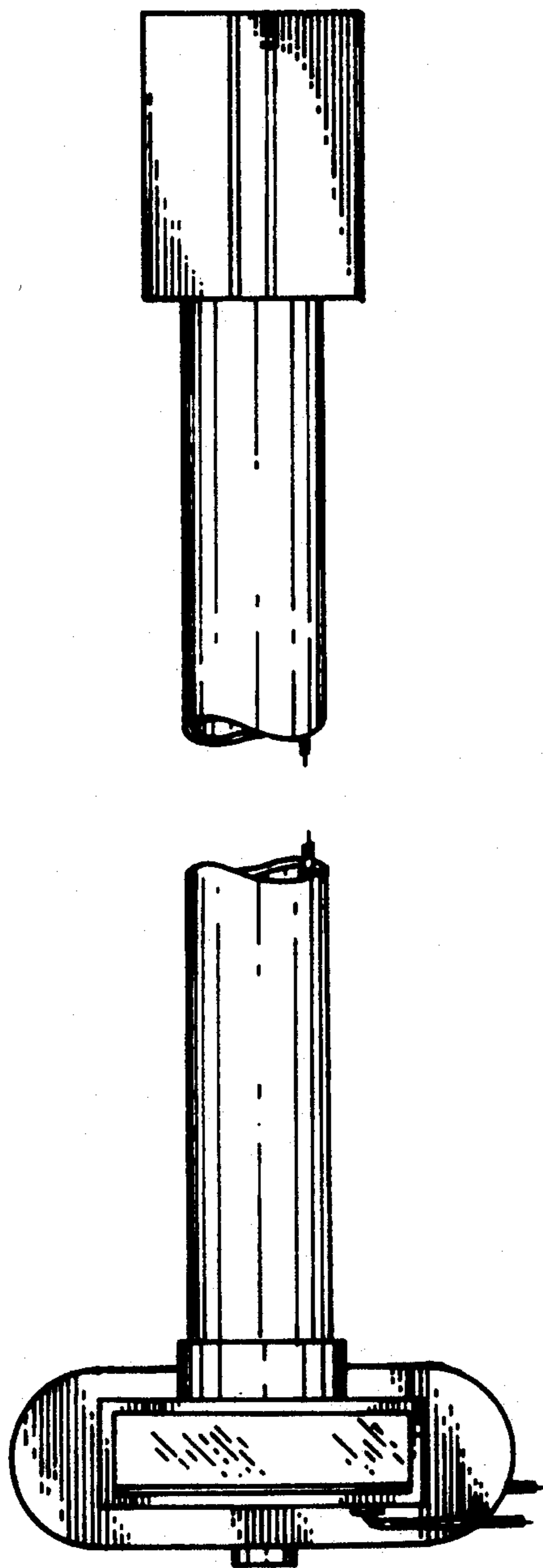


FIG. 2

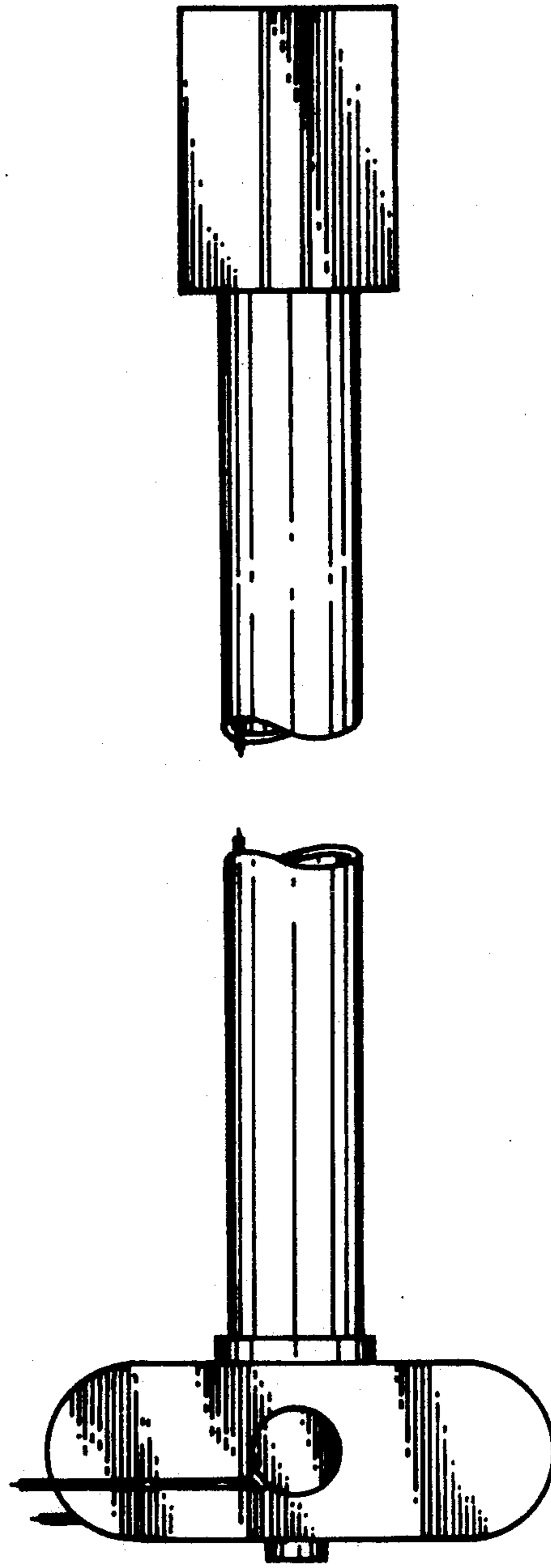


FIG. 3

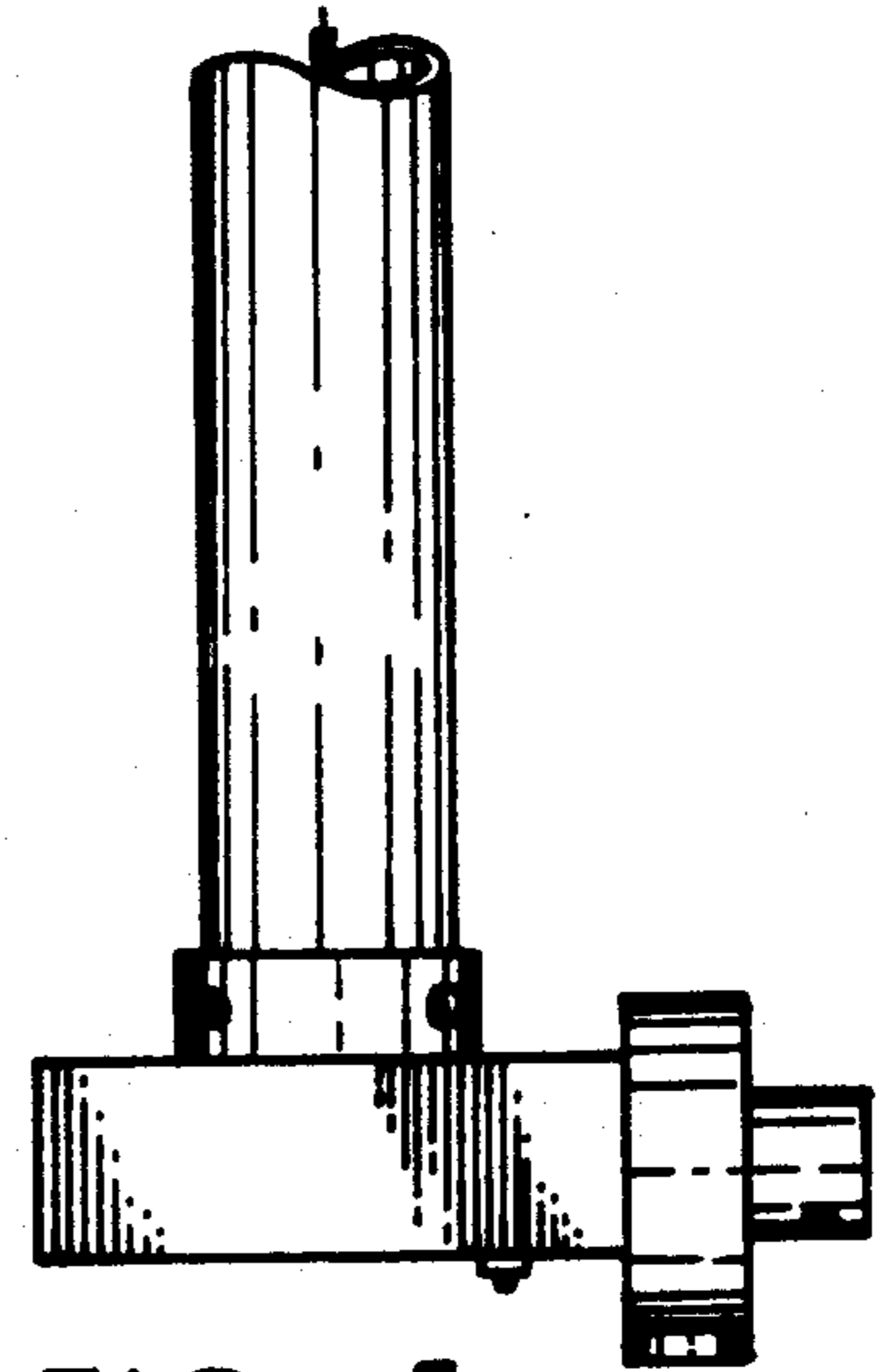
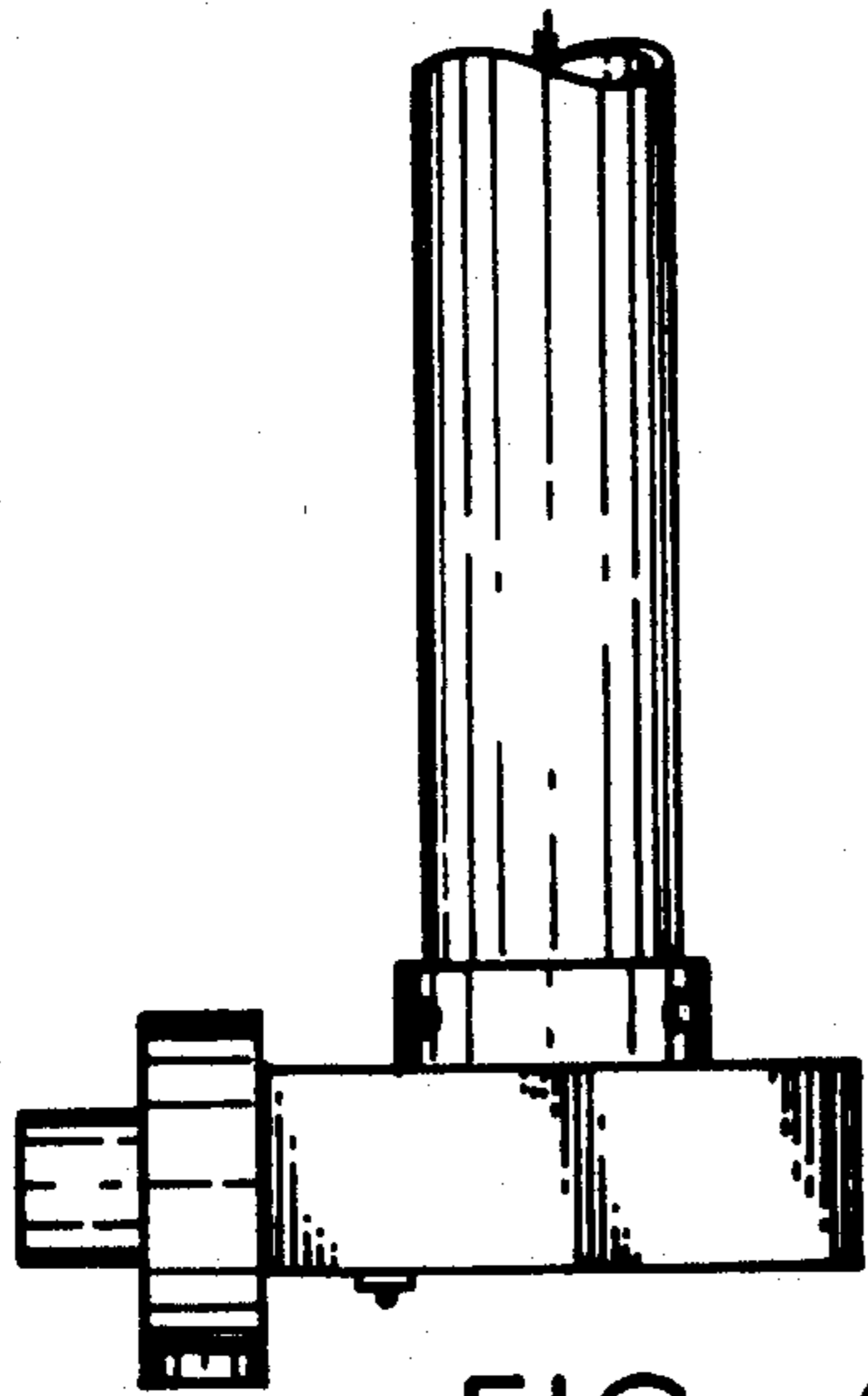
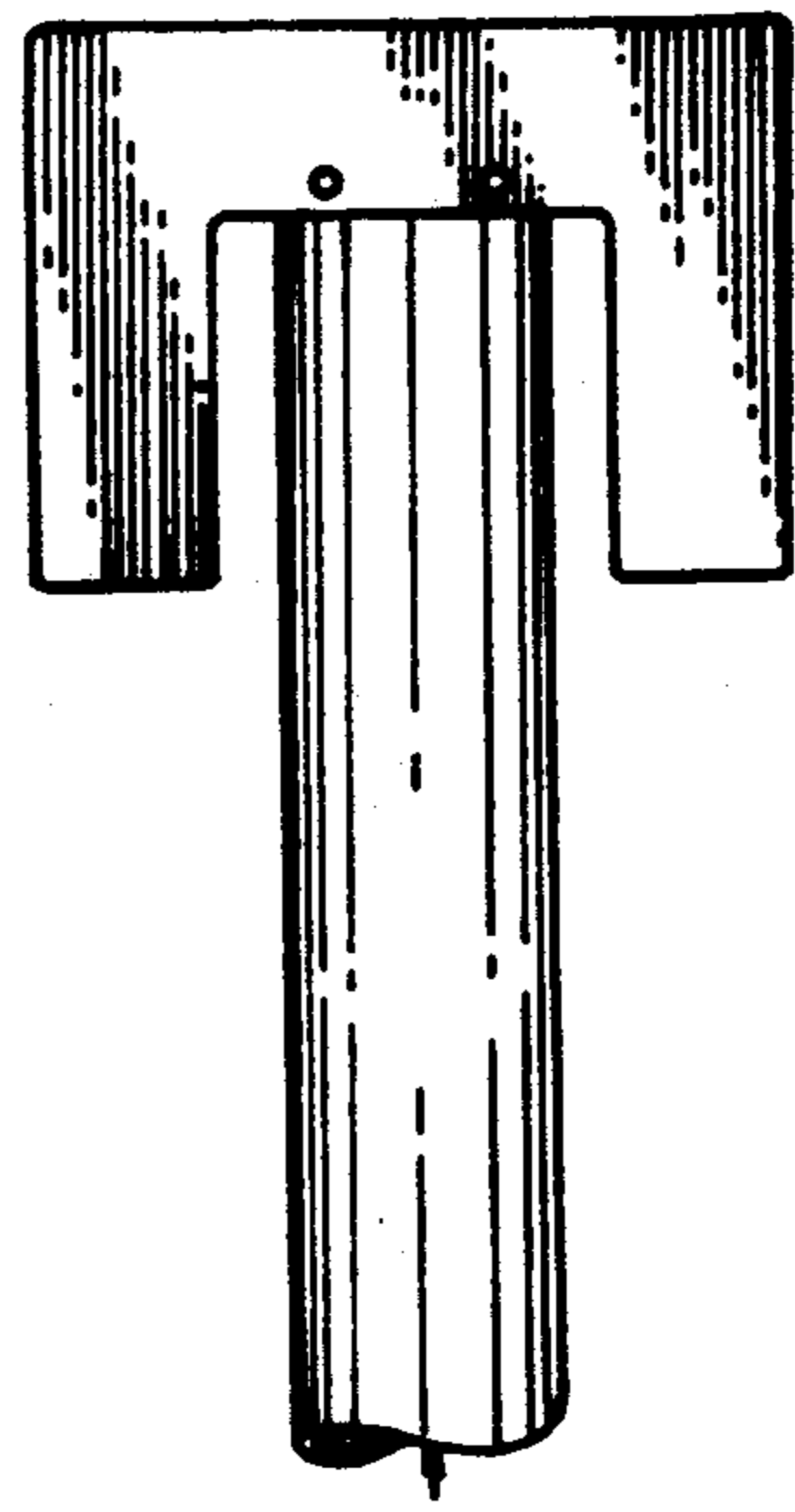
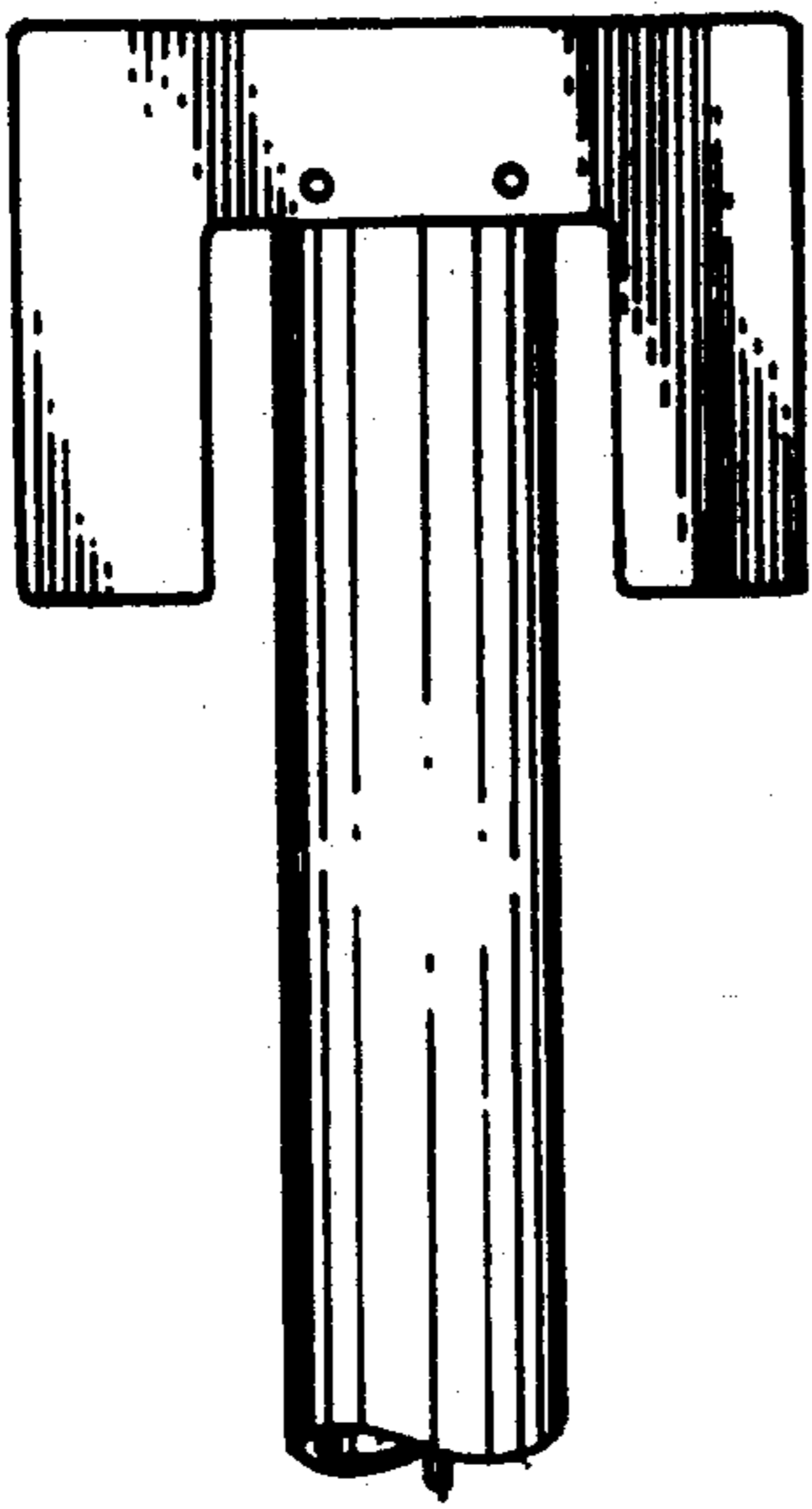


FIG. 4

FIG. 5

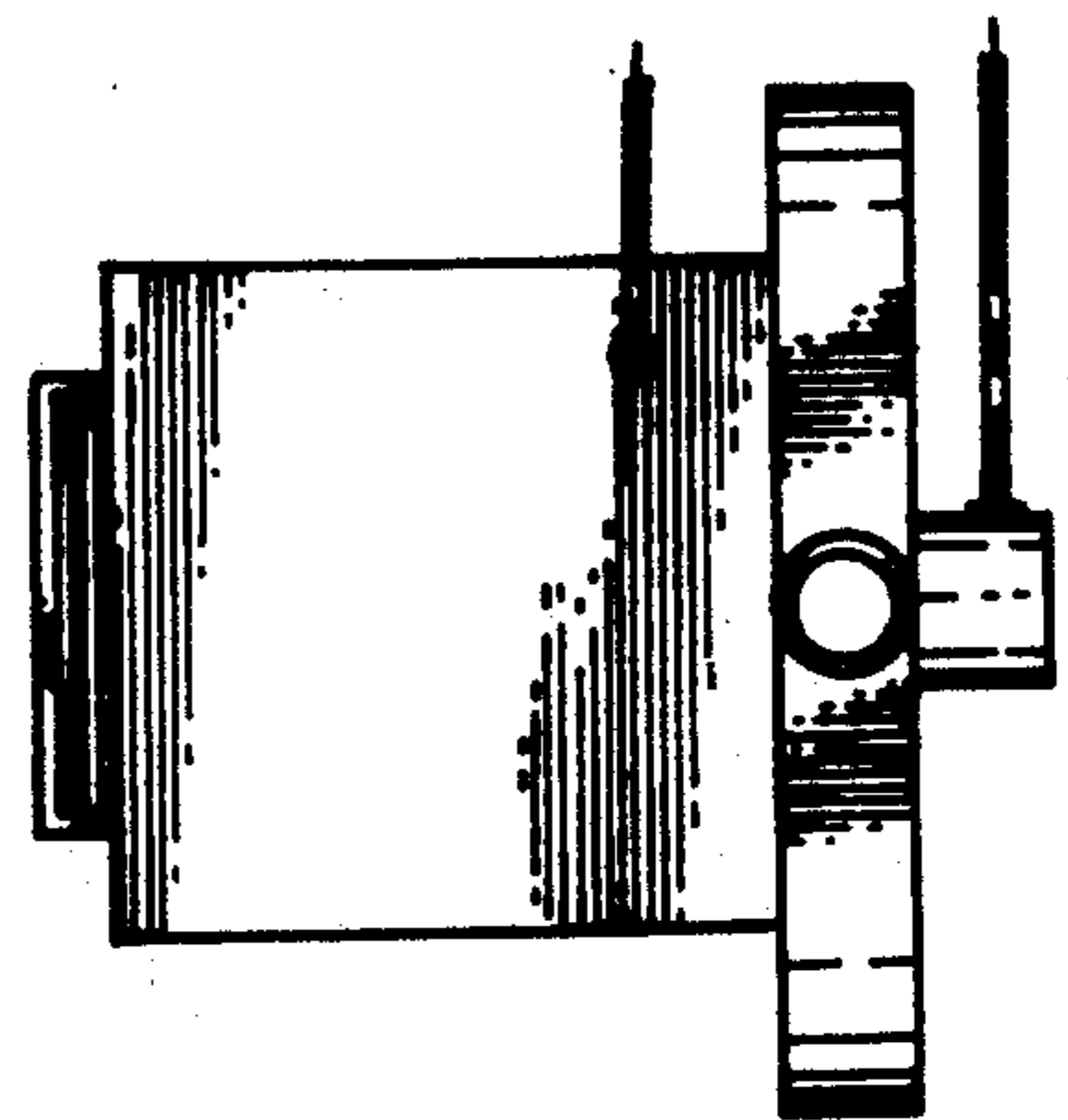
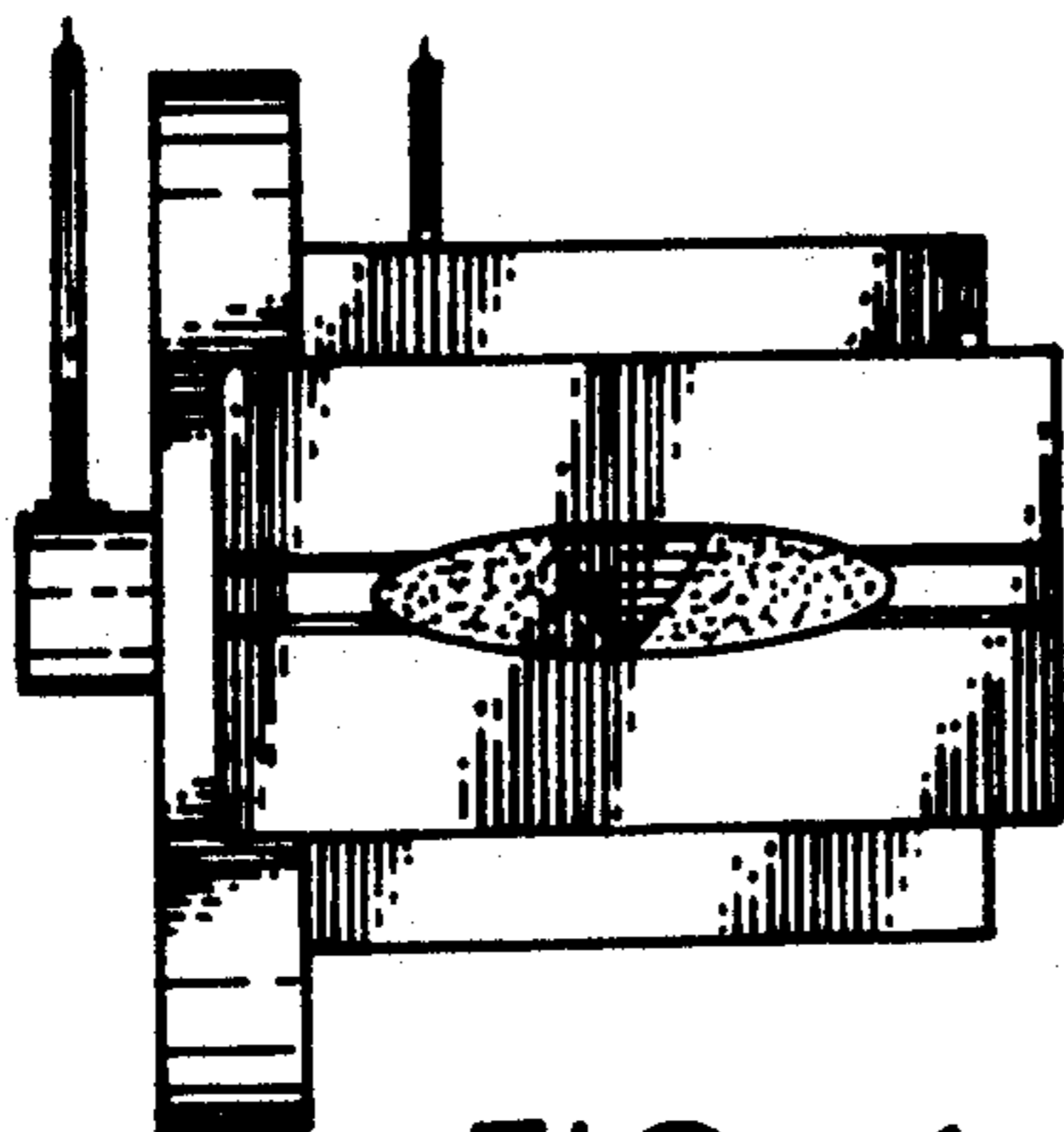


FIG. 6

FIG. 7