



US00D338523S

# United States Patent [19]

[11] Patent Number: **Des. 338,523**

Zlotnik et al.

[45] Date of Patent: **\*\* Aug. 17, 1993**

[54] AIR FRESHENER HOUSING

[75] Inventors: **Arnold Zlotnik; Milton Zlotnik**, both of West Homestead; **John A. Austin**, Bakerstown, all of Pa.

[73] Assignee: **Surco Products, Inc.**, Braddock, Pa.

[\*\*] Term: **14 Years**

[21] Appl. No.: **697,466**

[22] Filed: **May 9, 1991**

[52] U.S. Cl. .... **D23/366**

[58] Field of Search ..... 239/6, 37, 39, 44-45, 239/48-51, 51.5, 57, 55, 43; 222/43, 187; D23/200, 213, 366, 208

[56] **References Cited**

**U.S. PATENT DOCUMENTS**

D. 191,396	9/1961	Weber, III	.....	D23/366
D. 289,857	5/1987	Duval et al.	.....	D23/366 X
D. 310,123	8/1990	Carlson	.....	D23/200 X
2,559,126	7/1951	Lien	.....	239/44

2,766,069	10/1956	Tennyson	.....	239/43
2,802,695	8/1957	Johnson	.....	239/44
3,091,396	5/1963	Outin	.....	239/49 X
3,724,756	4/1973	Maltenfort	.....	239/44 X
4,928,881	5/1990	Barlics et al.	.....	239/44

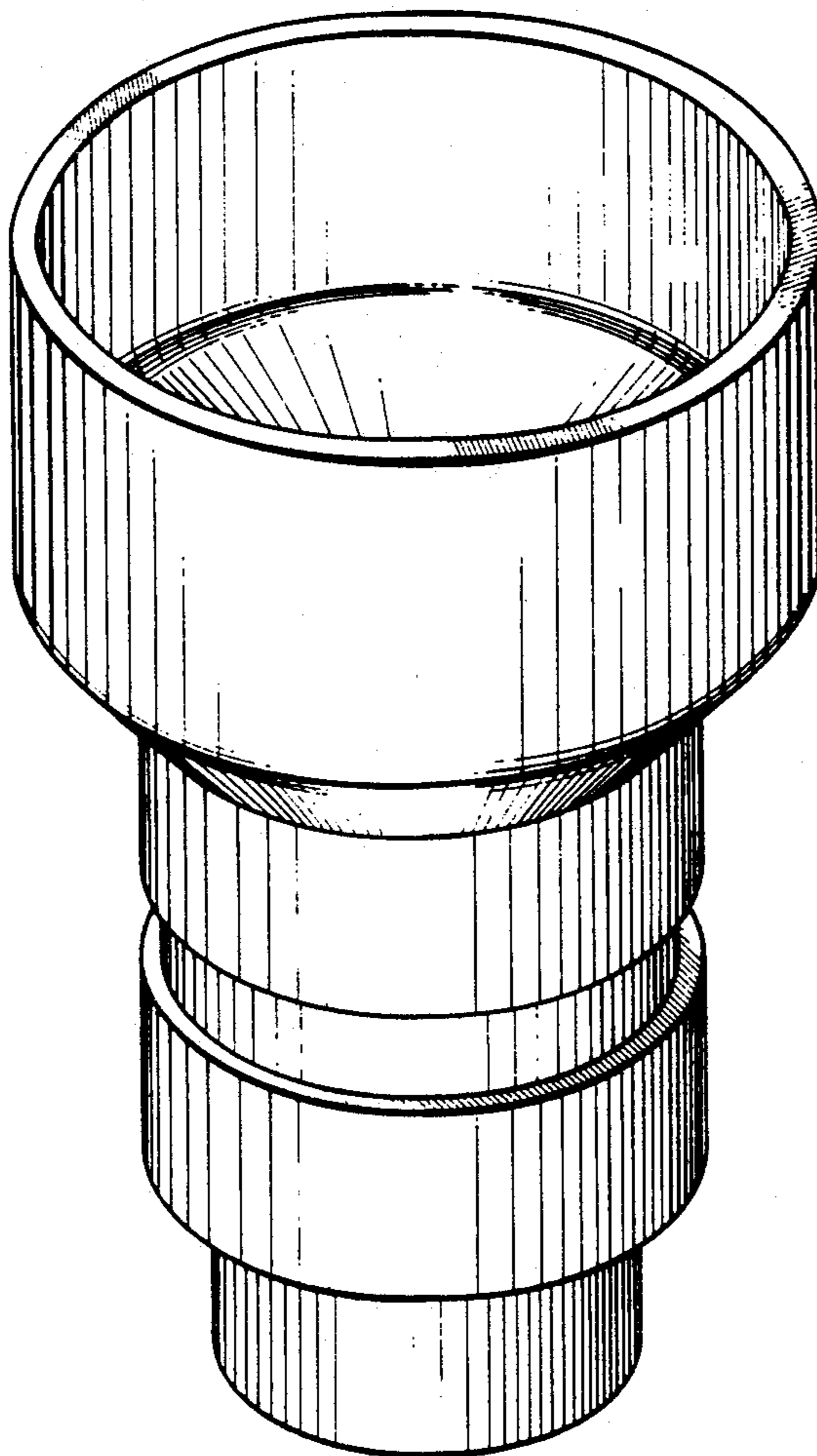
*Primary Examiner*—Wallace R. Burke  
*Assistant Examiner*—M. H. Tung  
*Attorney, Agent, or Firm*—Hymen Diamond

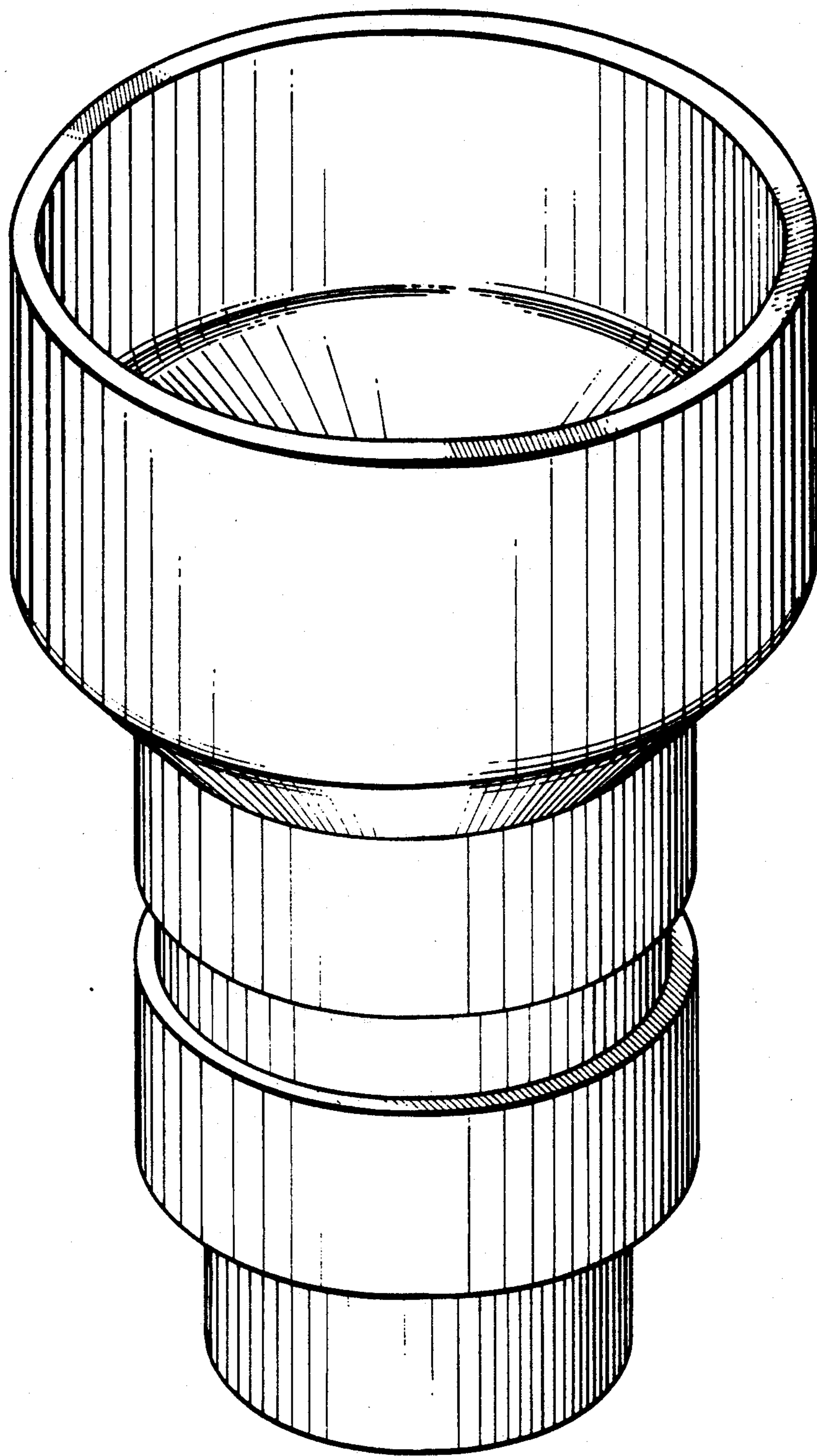
[57] **CLAIM**

The ornamental design for an air freshener housing, as shown and described.

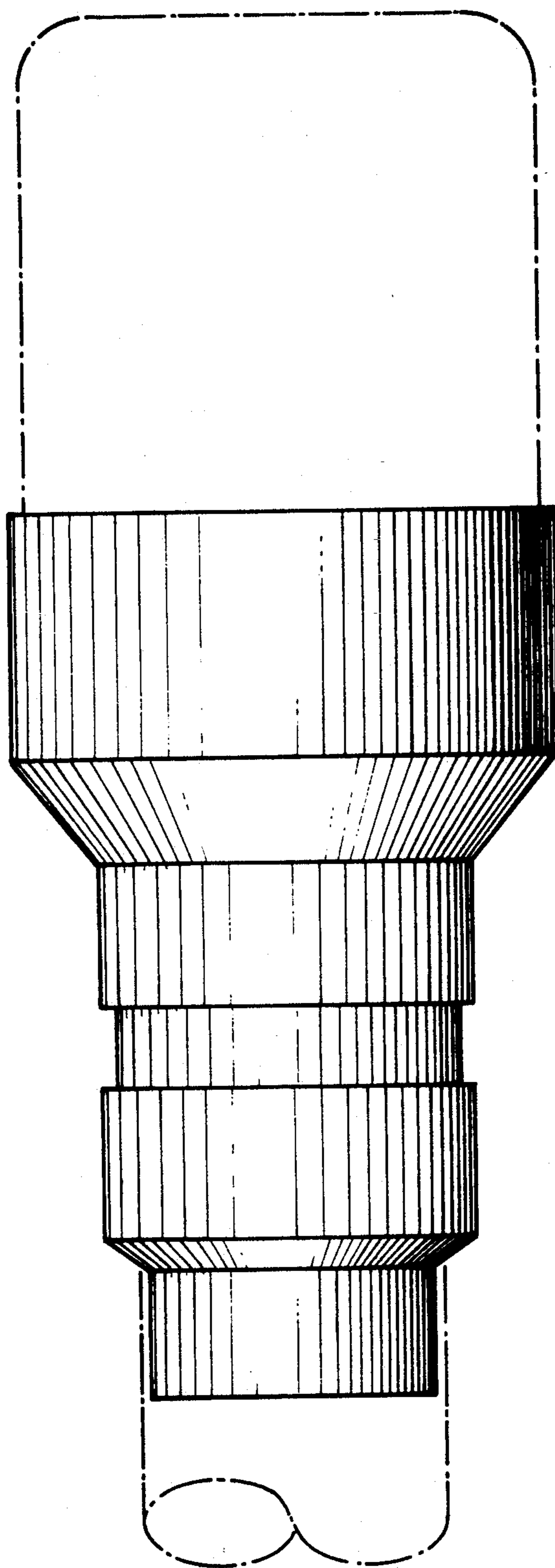
**DESCRIPTION**

FIG. 1 is a view in isometric showing the new air freshener housing design, on an enlarged scale; FIG. 2 is a view in side elevation of the design shown in FIG. 1, all sides being identical, the broken line drawings of an air freshener fluid container and a bottom conductor are for illustrative purposes only and forms no part of the claimed design; FIG. 3 is a top plan view with reference to FIG. 2; and, FIG. 4 is a bottom plan view with reference to FIG. 2.

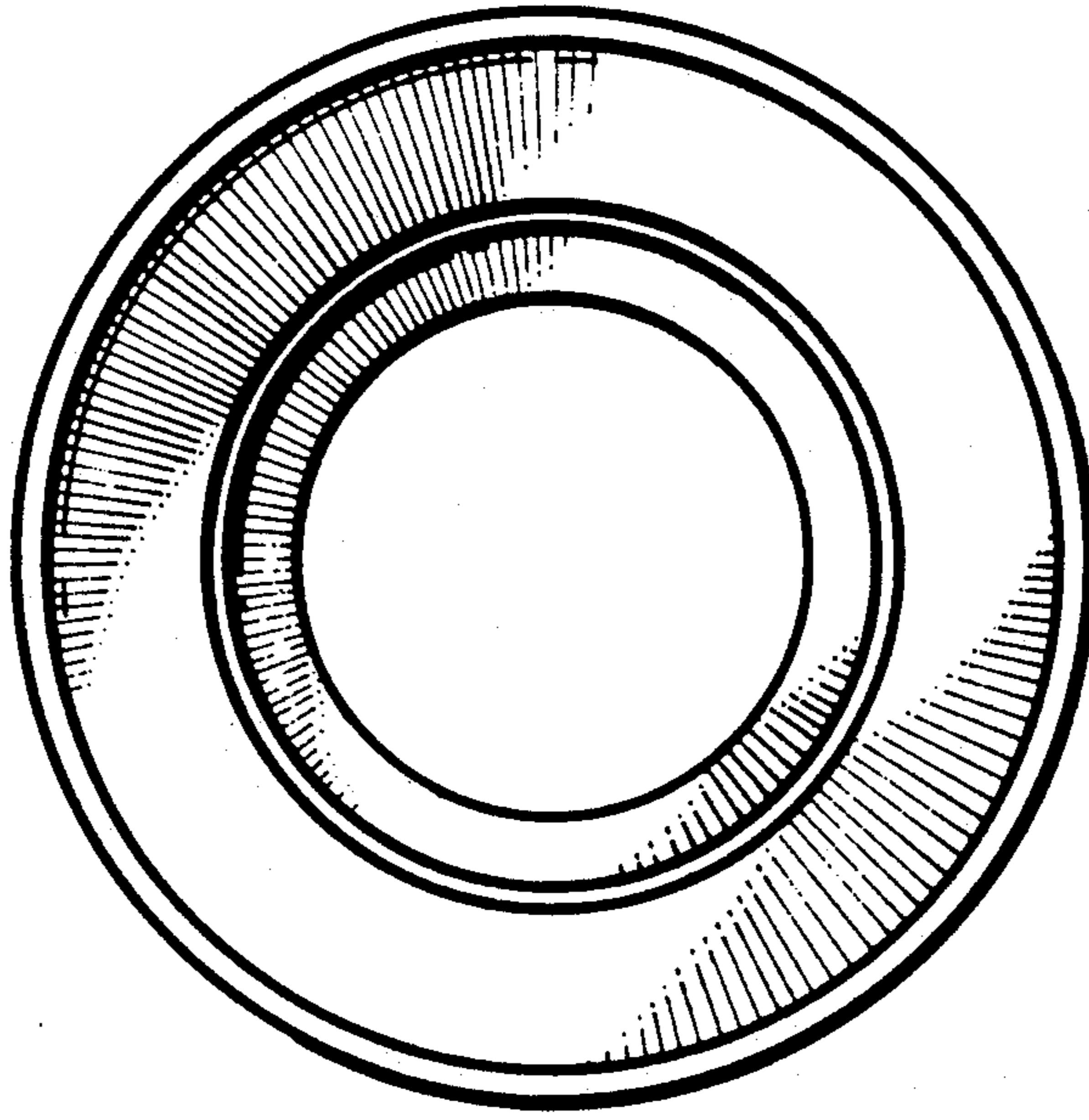




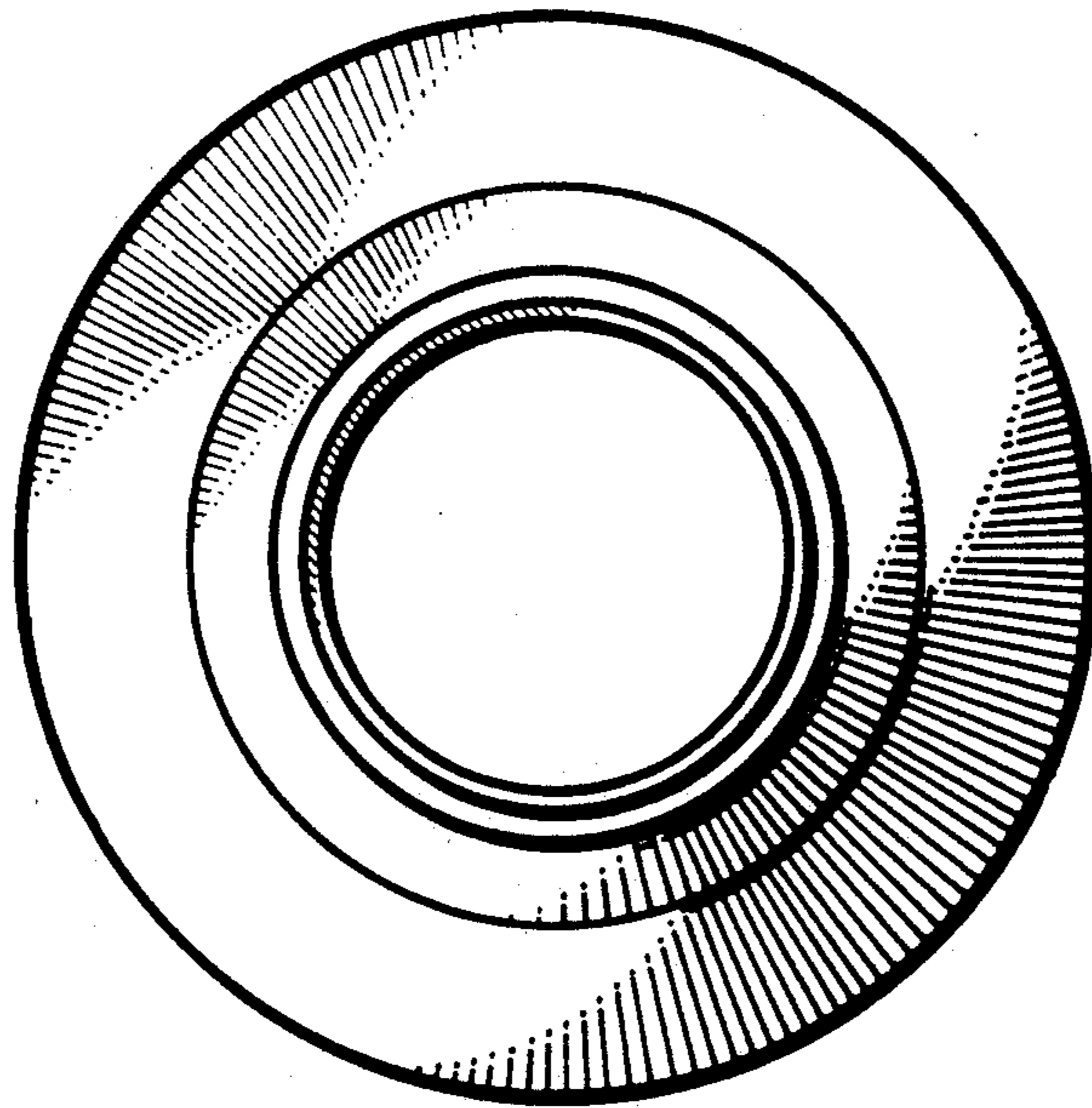
*Fig. 1*



*Fig. 2*



*Fig. 3*



*Fig. 4*