



US00D338516S

United States Patent [19]

Tamaki

[11] Patent Number: **Des. 338,516**

[45] Date of Patent: **** Aug. 17, 1993**

[54] **ELECTROMAGNETIC VALVE**

[75] Inventor: **Shigeo Tamaki, Asahi, Japan**

[73] Assignee: **Kuroda Seiko Company Limited, Japan**

[*] Notice: The portion of the term of this patent subsequent to Apr. 27, 2007 has been disclaimed.

[**] Term: **14 Years**

[21] Appl. No.: **409,642**

[22] Filed: **Sep. 19, 1989**

[52] U.S. Cl. **D23/248**

[58] Field of Search **D23/233-237, D23/243-249; 137/625.64, 884**

[56] **References Cited**

U.S. PATENT DOCUMENTS

- D. 187,091 1/1960 Boothroyd et al. D23/248
- D. 312,120 11/1990 Askew D23/245
- 3,194,257 7/1965 Stephens 137/343

- 3,688,797 9/1972 Sorenson 137/625.64
- 4,815,496 3/1989 Nishitani et al. 137/884
- 4,860,638 8/1989 Hosono et al. 137/884

FOREIGN PATENT DOCUMENTS

- 2826480 1/1979 Fed. Rep. of Germany 137/884

Primary Examiner—Wallace R. Burke
Assistant Examiner—Lisa Lichtenstein
Attorney, Agent, or Firm—Peter J. Georges

[57] **CLAIM**

The ornamental design for an electromagnetic valve, as shown.

DESCRIPTION

FIG. 1 is a left side elevational view of an electromagnetic valve showing my new design; FIG. 2 is a front elevational view thereof; FIG. 3 is a top plan view thereof; FIG. 4 is a right side elevational view thereof; FIG. 5 is a rear elevational view thereof; FIG. 6 is a bottom plan view thereof; and, FIG. 7 is a left, front, top perspective view thereof.

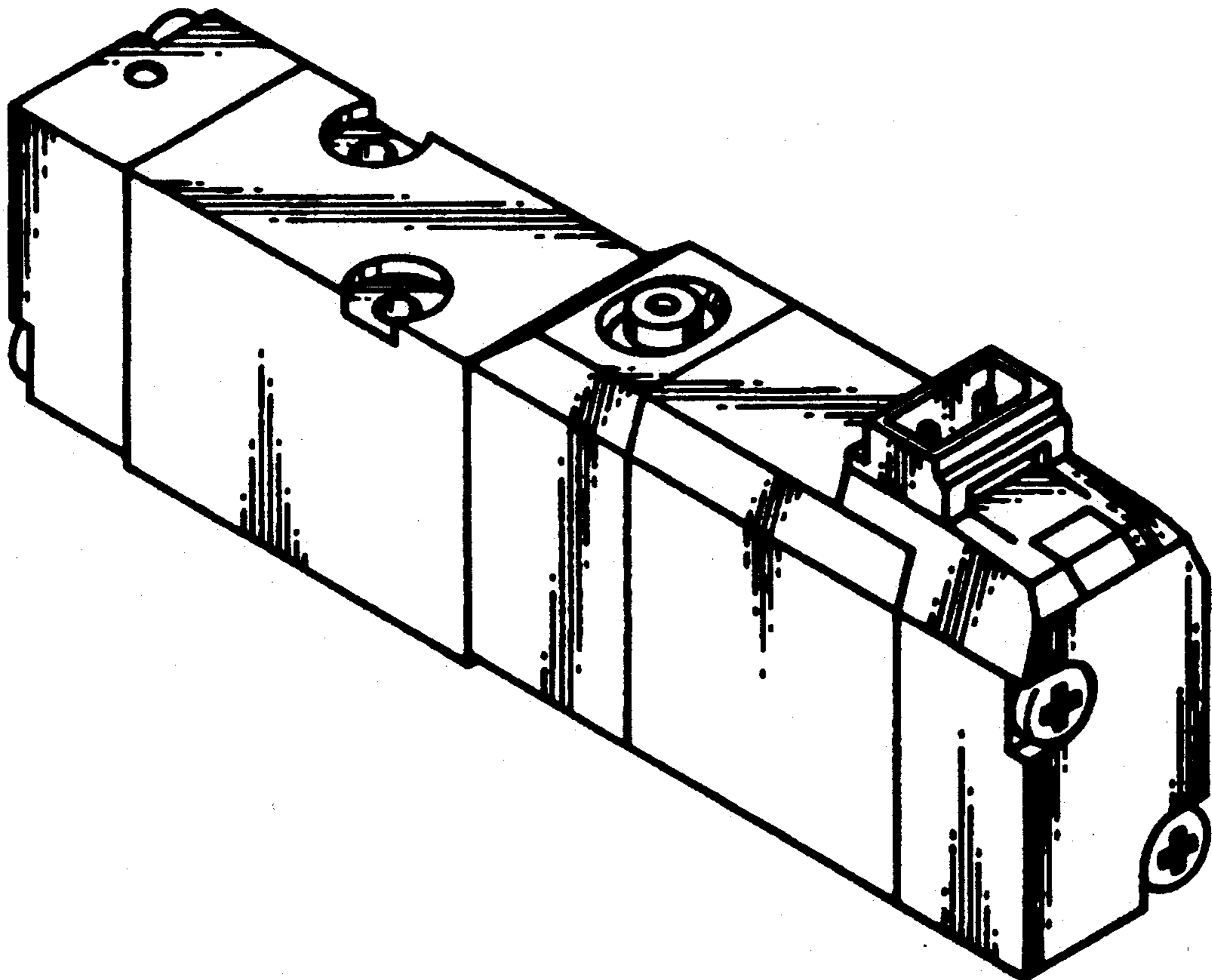


FIG. 1

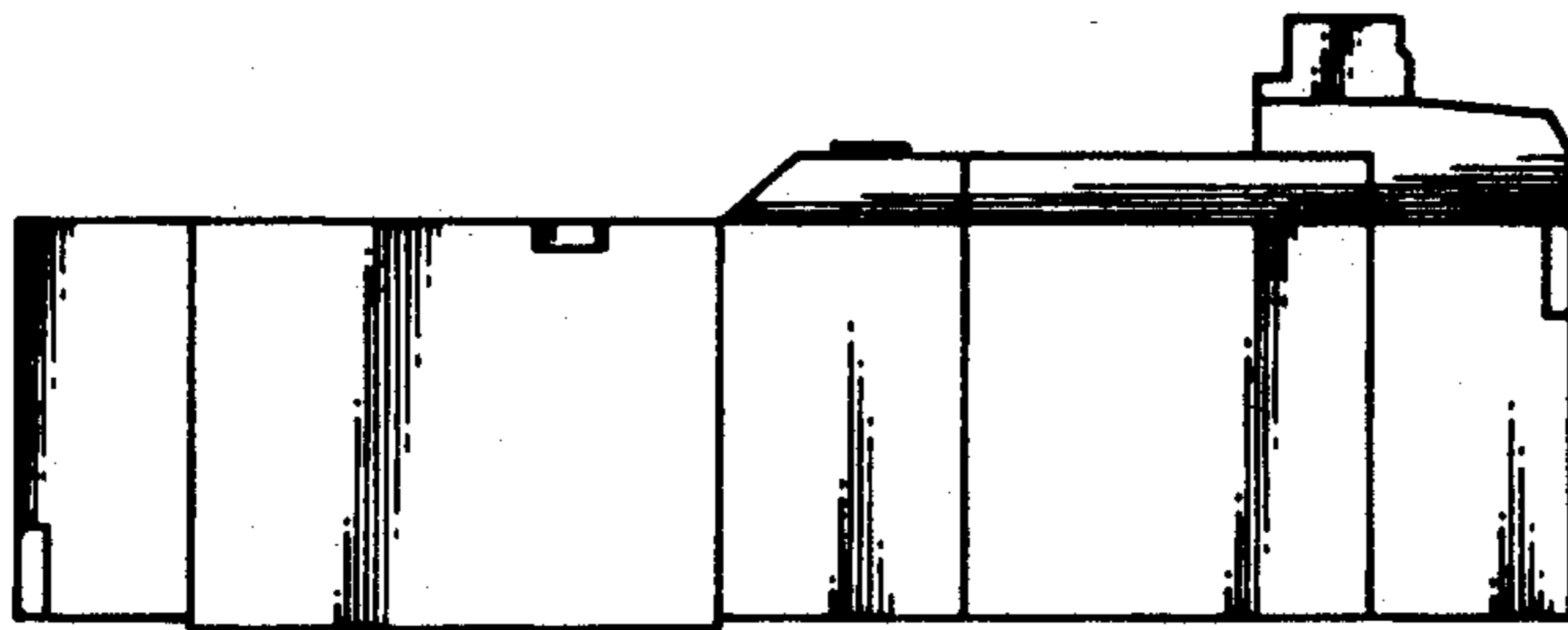


FIG. 2



FIG. 3

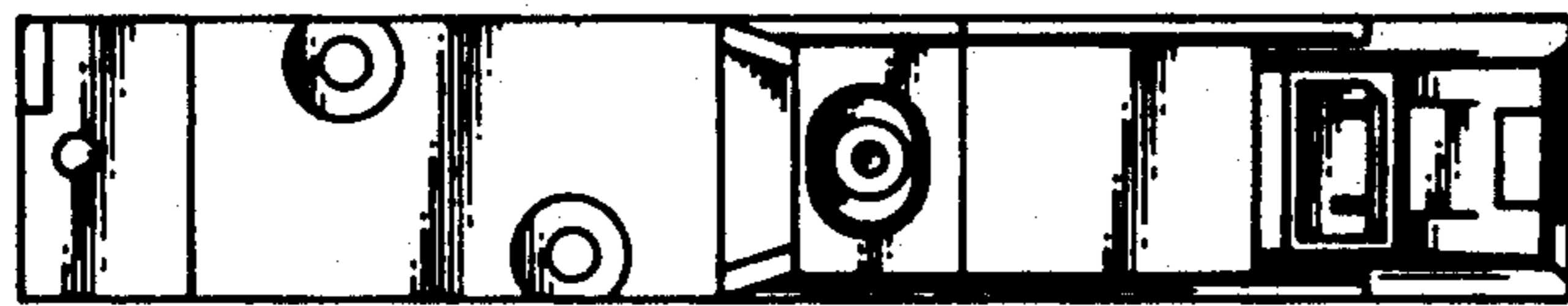


FIG. 4

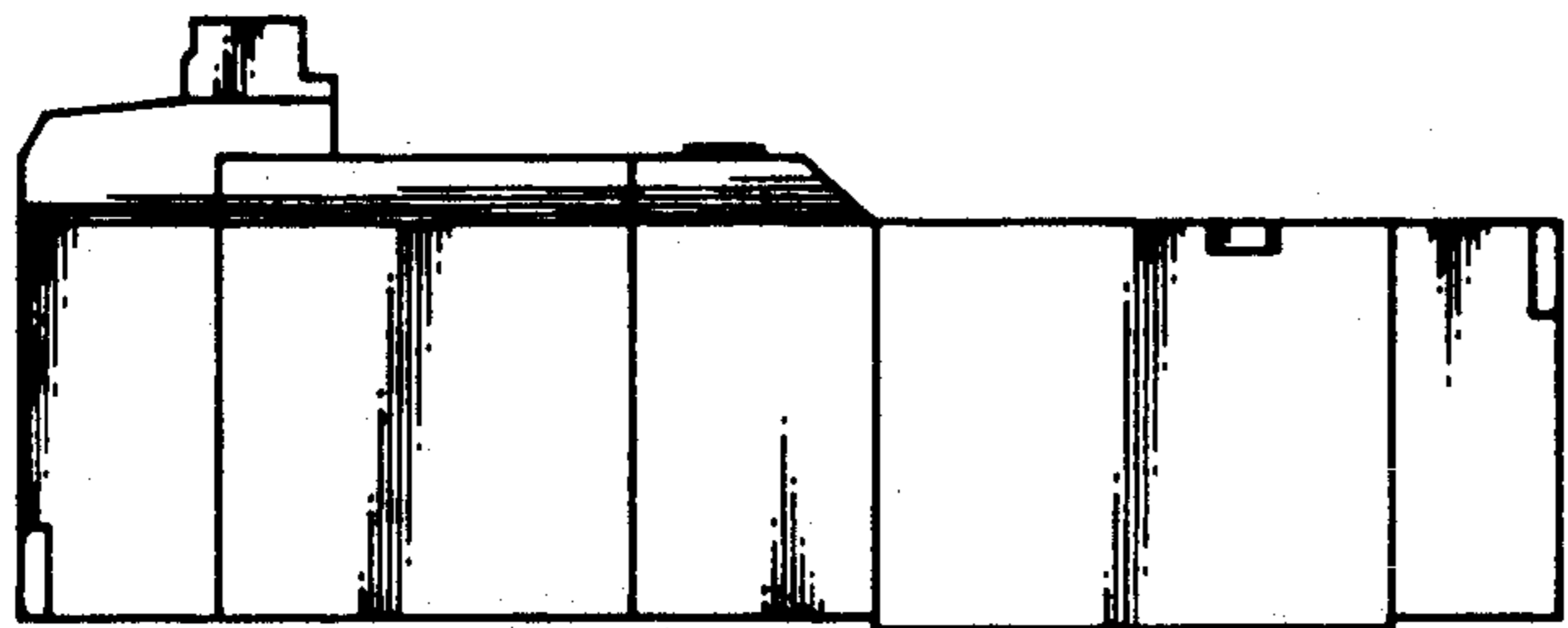


FIG. 5

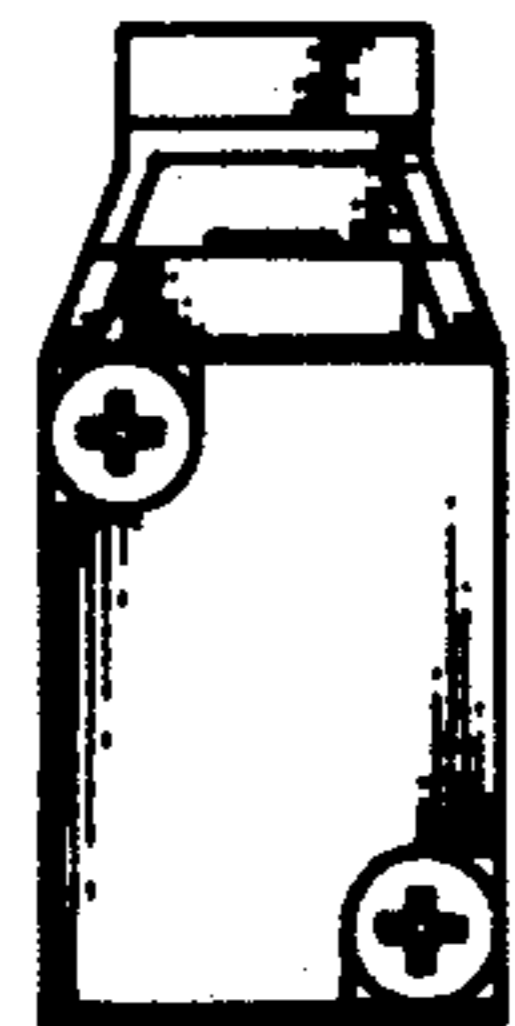


FIG. 6



FIG. 7

