



US00D338514S

United States Patent [19]

[11] Patent Number: **Des. 338,514**

Holmes

[45] Date of Patent: **** Aug. 17, 1993**

[54] **HELMET FOR PROVIDING VIRTUAL REALITY ENVIRONMENTS**

[56] **References Cited**

[75] Inventor: **Richard Holmes, Warwickshire, United Kingdom**

U.S. PATENT DOCUMENTS

4,348,186	9/1982	Harvey et al.	434/40
4,439,157	3/1984	Breglia et al.	434/40
4,446,480	5/1984	Breglia et al.	434/40
4,930,888	5/1990	Freisleben et al.	434/44

[73] Assignee: **W Industries Limited, Leicester, United Kingdom**

Primary Examiner—Wallace R. Burke
Assistant Examiner—Melody Brown
Attorney, Agent, or Firm—Young & Thompson

[**] Term: **14 Years**

[57] **CLAIM**

[21] Appl. No.: **673,523**

The ornamental design for a helmet for providing virtual reality environments, as shown and described.

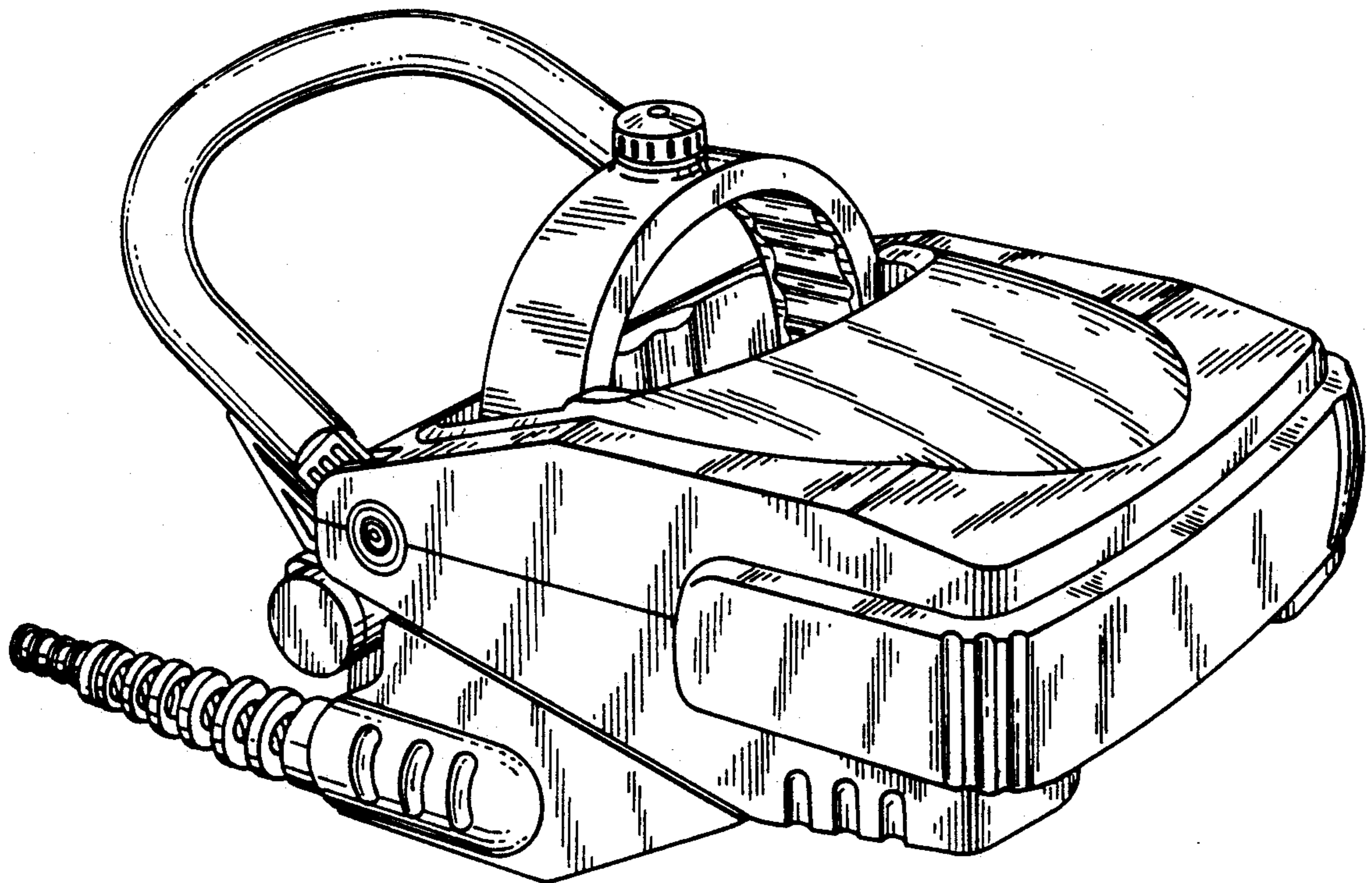
[22] Filed: **Mar. 22, 1991**

DESCRIPTION

[30] **Foreign Application Priority Data**

Oct. 9, 1990 [GB] United Kingdom 2010119
 [52] U.S. Cl. **D21/240; D29/15**
 [58] Field of Search **D19/60; 273/148 B; 434/44, 38, 40; 29/15; D21/240**

FIG. 1 is a perspective view from above of a helmet showing my new design;
 FIG. 2 is an enlarged right side elevational view thereof;
 FIG. 3 is an enlarged top plan view thereof; and,
 FIG. 4 is an enlarged bottom plan view thereof.
 The cords shown in FIGS. 1-4 are shown broken away for convenience of illustration.



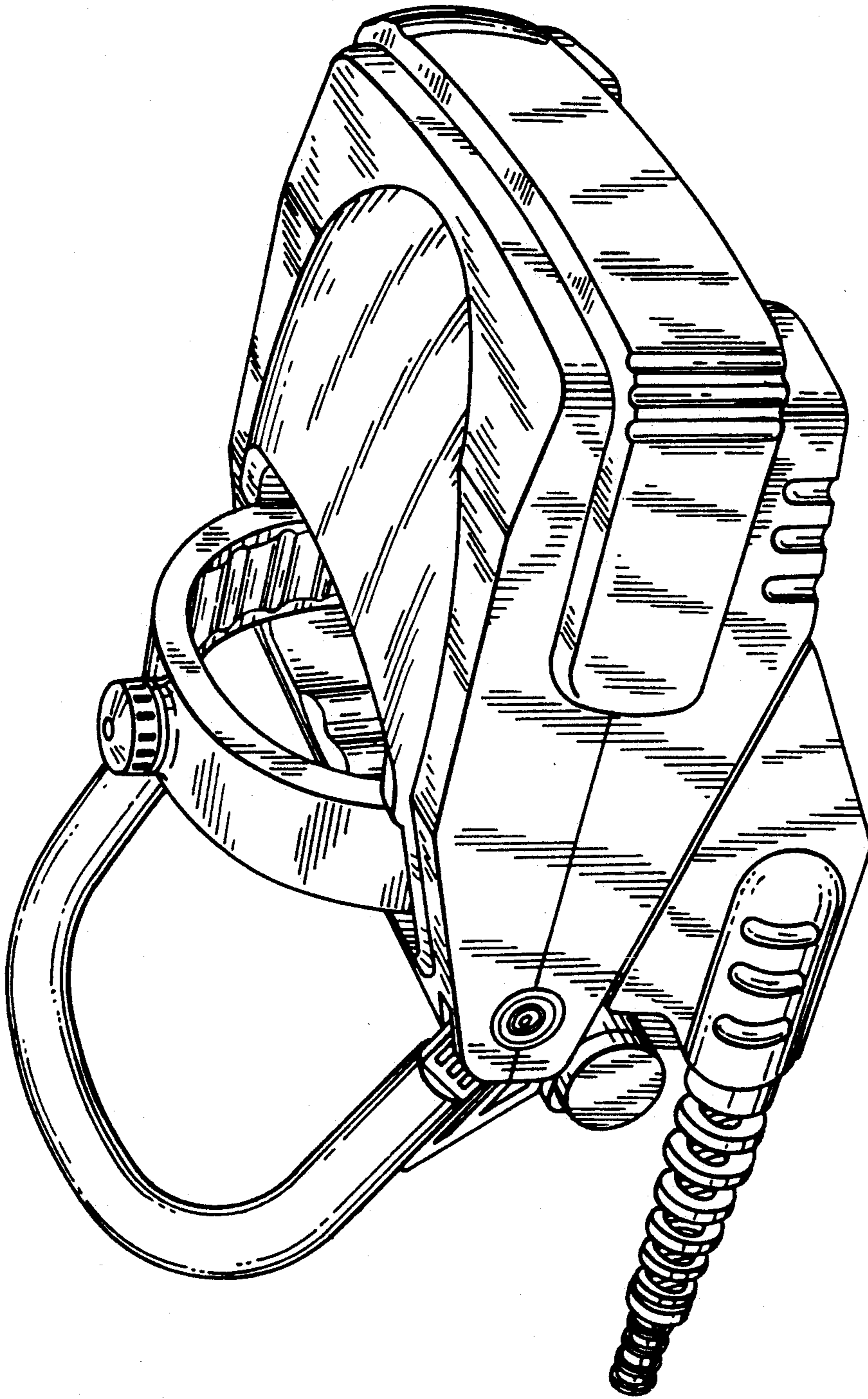


Fig. 1

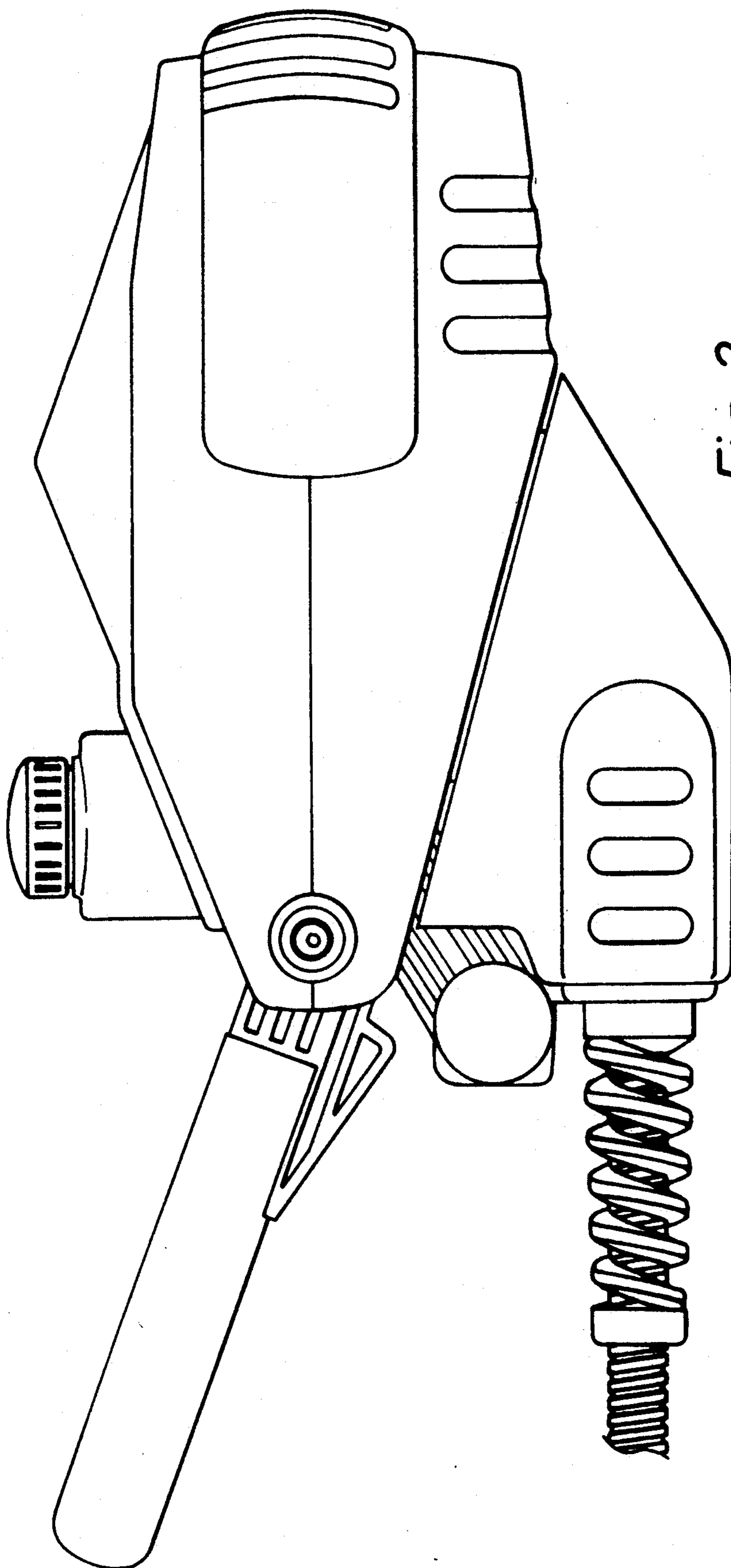


Fig. 2

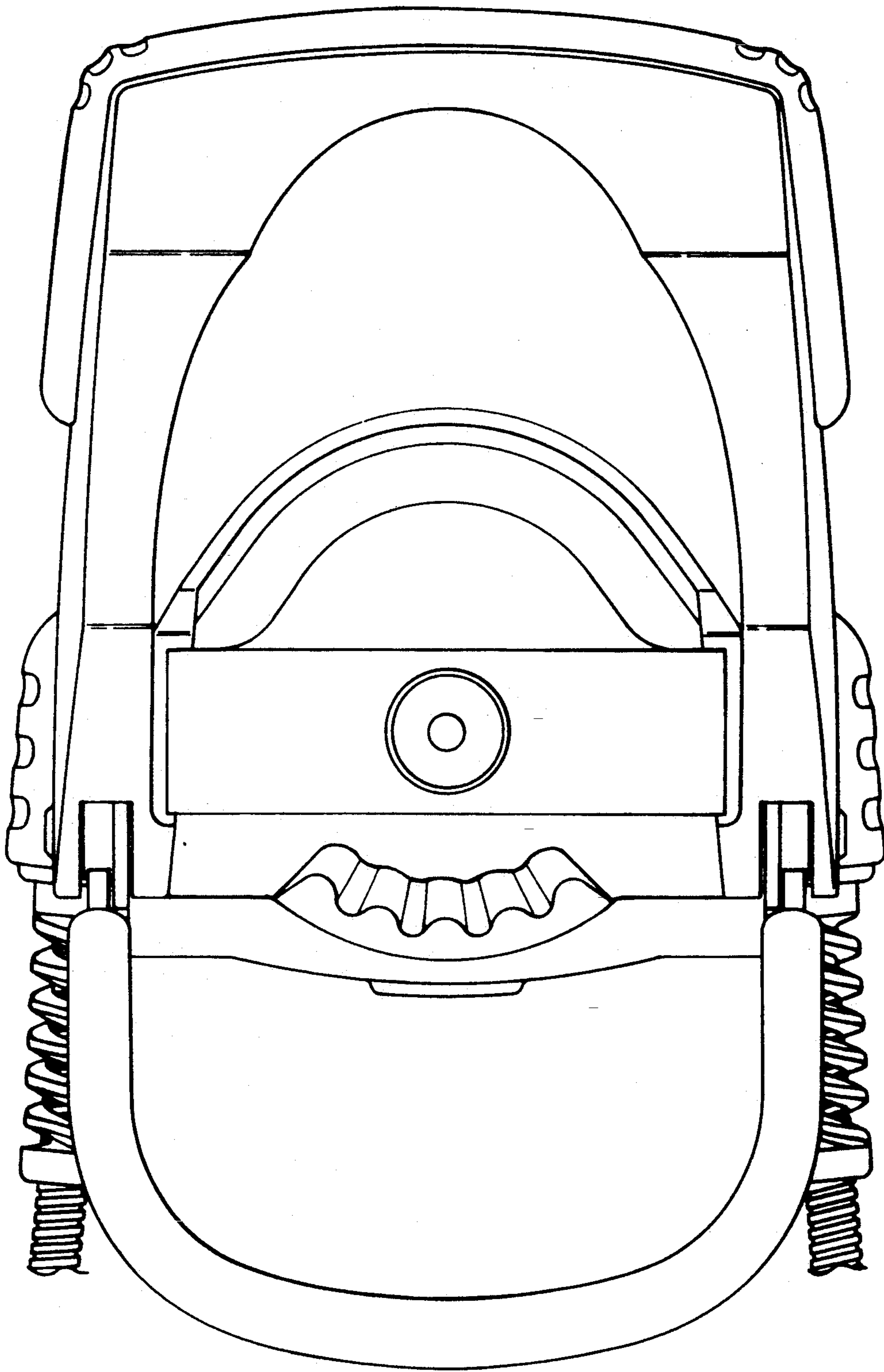


Fig. 3

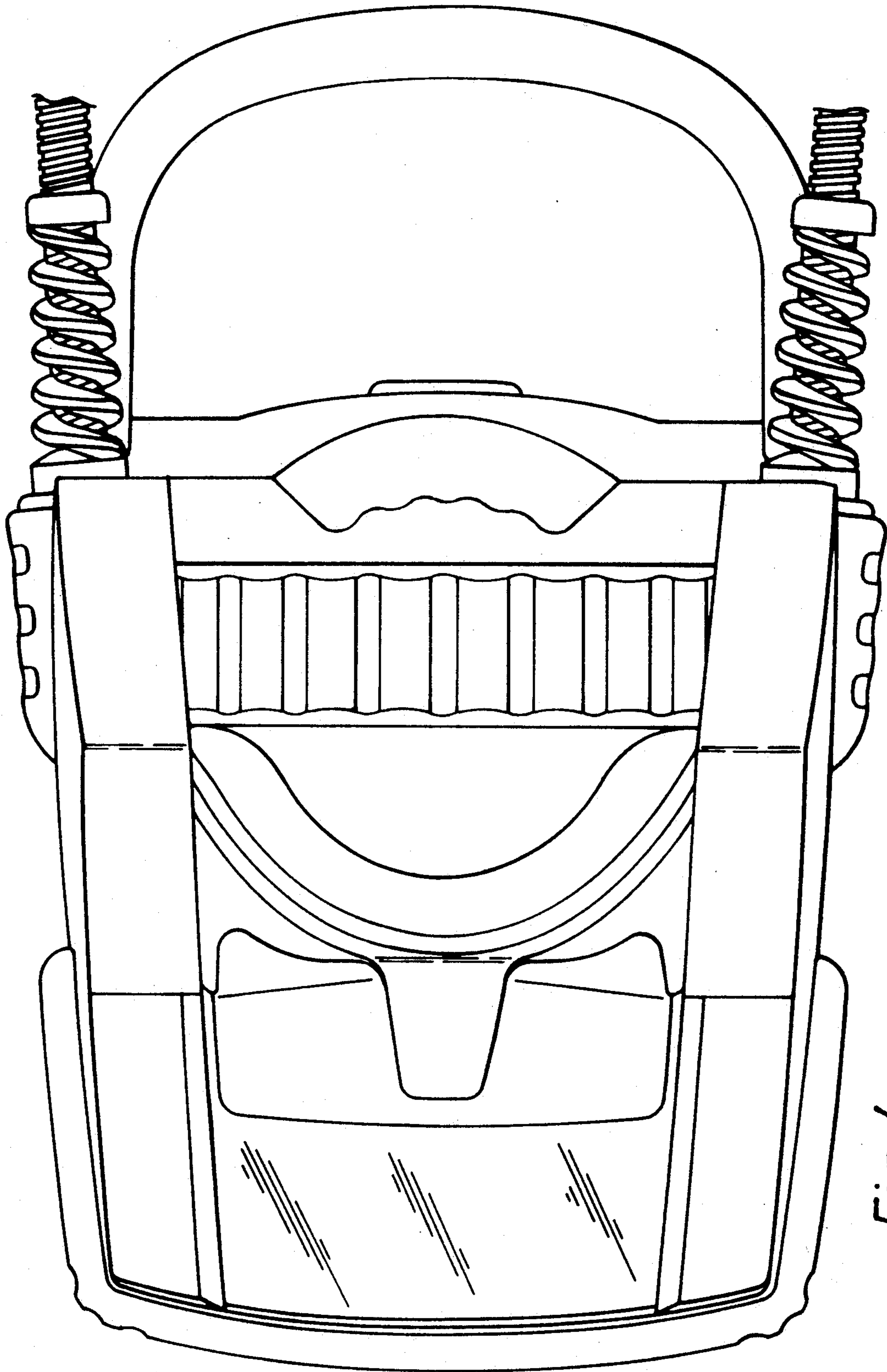


Fig. 4