



US00D338507S

United States Patent [19]

[11] Patent Number: **Des. 338,507**

Hopkins

[45] Date of Patent: **** Aug. 17, 1993**

[54] PUEBLO DOLL HOUSE

[76] Inventor: **Michael Hopkins**, P.O. Box 131,
Placerville, Calif. 95667

[**] Term: **14 Years**

[21] Appl. No.: **860,361**

[22] Filed: **Mar. 30, 1992**

[52] U.S. Cl. **D21/114**

[58] Field of Search **D21/108, 114, 115, 242;**
D25/7, 16, 59; D6/335; 446/110, 476, 477, 478,
482, 487

[56] **References Cited**

U.S. PATENT DOCUMENTS

D. 314,854	2/1991	Brown	D25/7
1,316,690	9/1919	Crosby	446/110
2,355,957	8/1944	Davis	446/482
3,676,973	7/1972	Kellert	D25/7

Primary Examiner—Bernard Ansher
Assistant Examiner—R. Barkai
Attorney, Agent, or Firm—Bernhard Kreten

[57] **CLAIM**

The ornamental design for a pueblo doll house, as shown and described.

DESCRIPTION

FIG. 1 is an exploded perspective view of a pueblo doll house showing my new design, with each piece shown separately for clarity of illustration;

FIG. 2 is a front perspective view thereof;

FIG. 3 is a left side elevational view thereof;

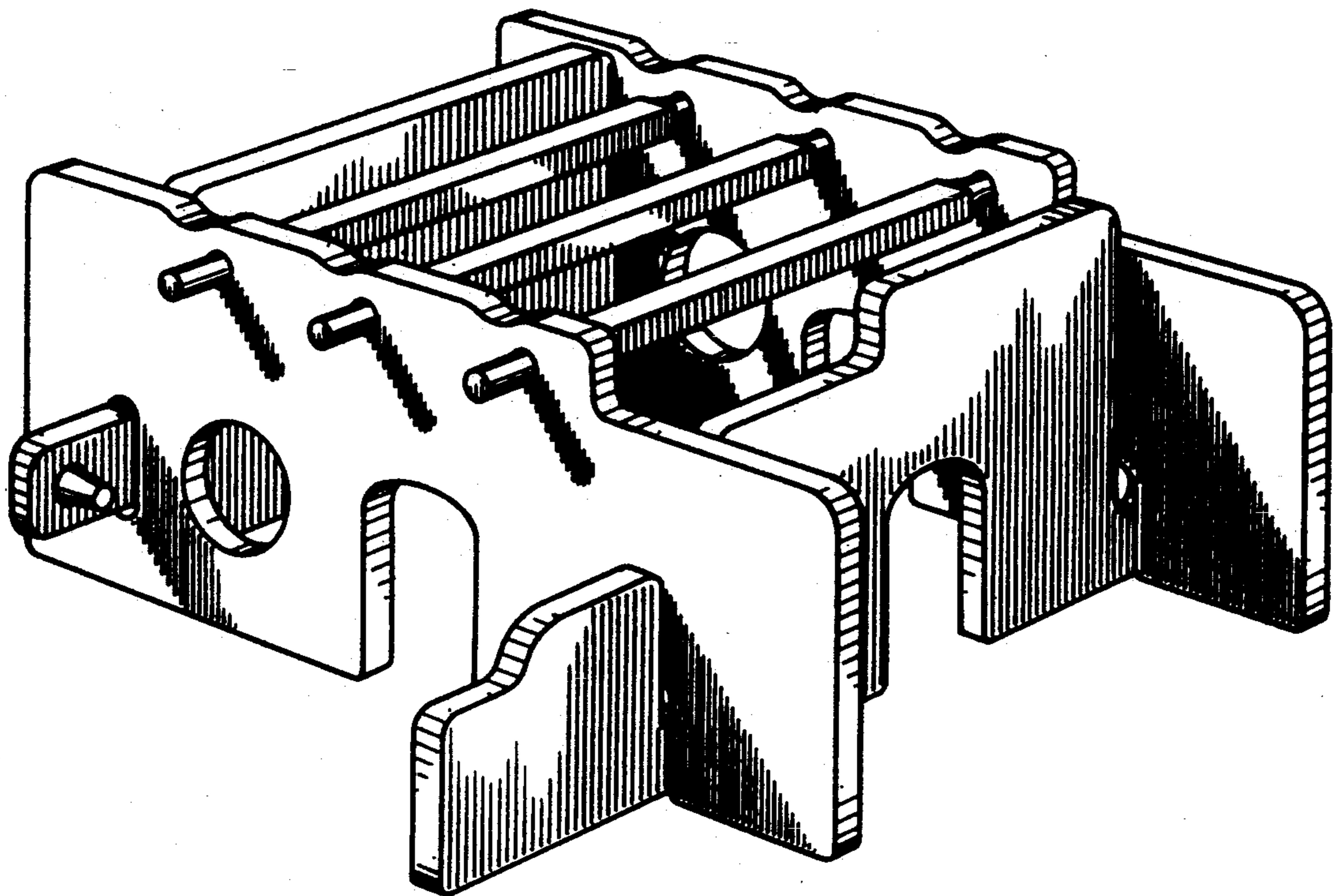
FIG. 4 is a right side elevational view thereof;

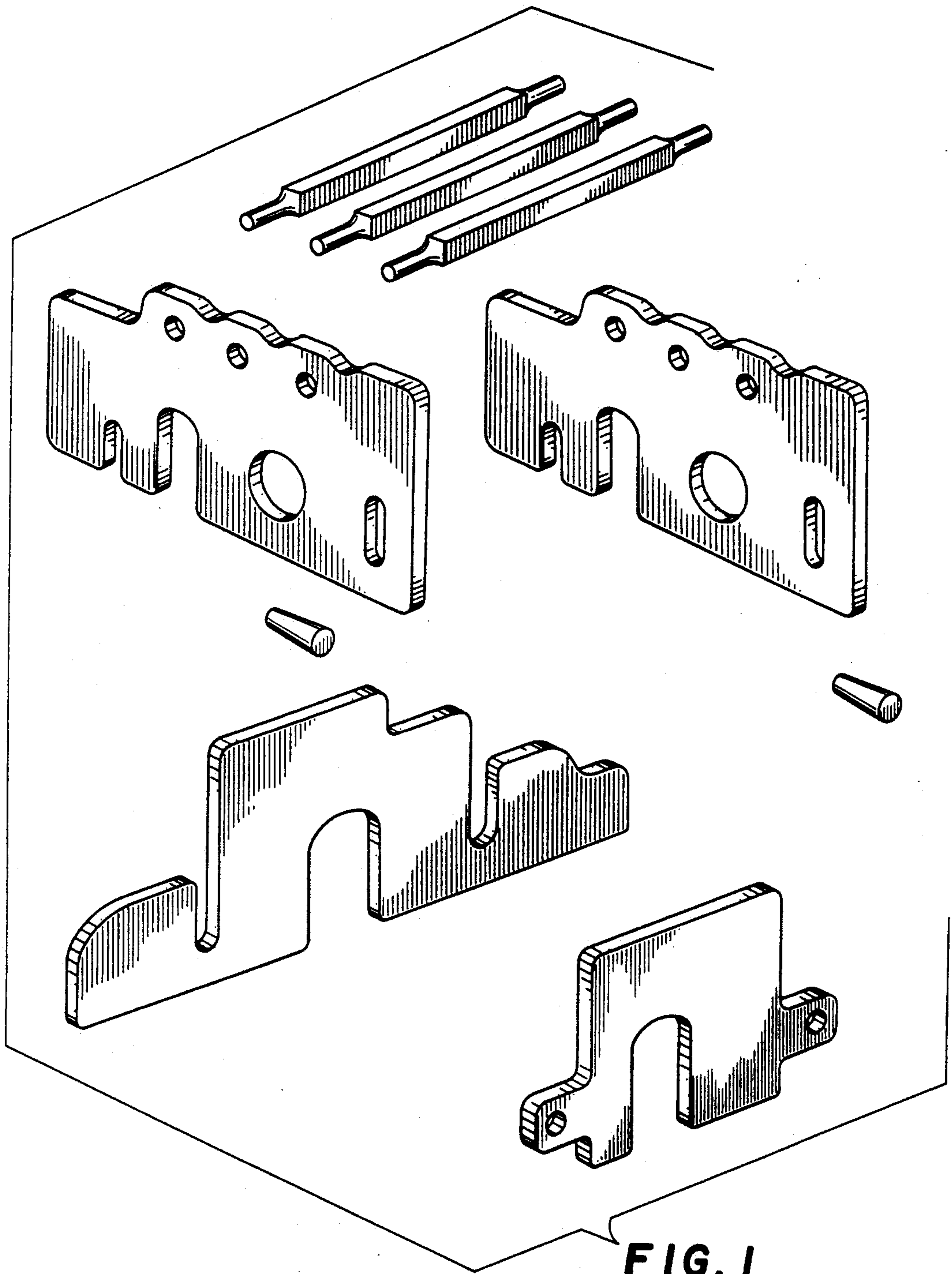
FIG. 5 is a front elevational view thereof;

FIG. 6 is a rear elevational view thereof;

FIG. 7 is a top plan view thereof; and,

FIG. 8 is a bottom plan view thereof.





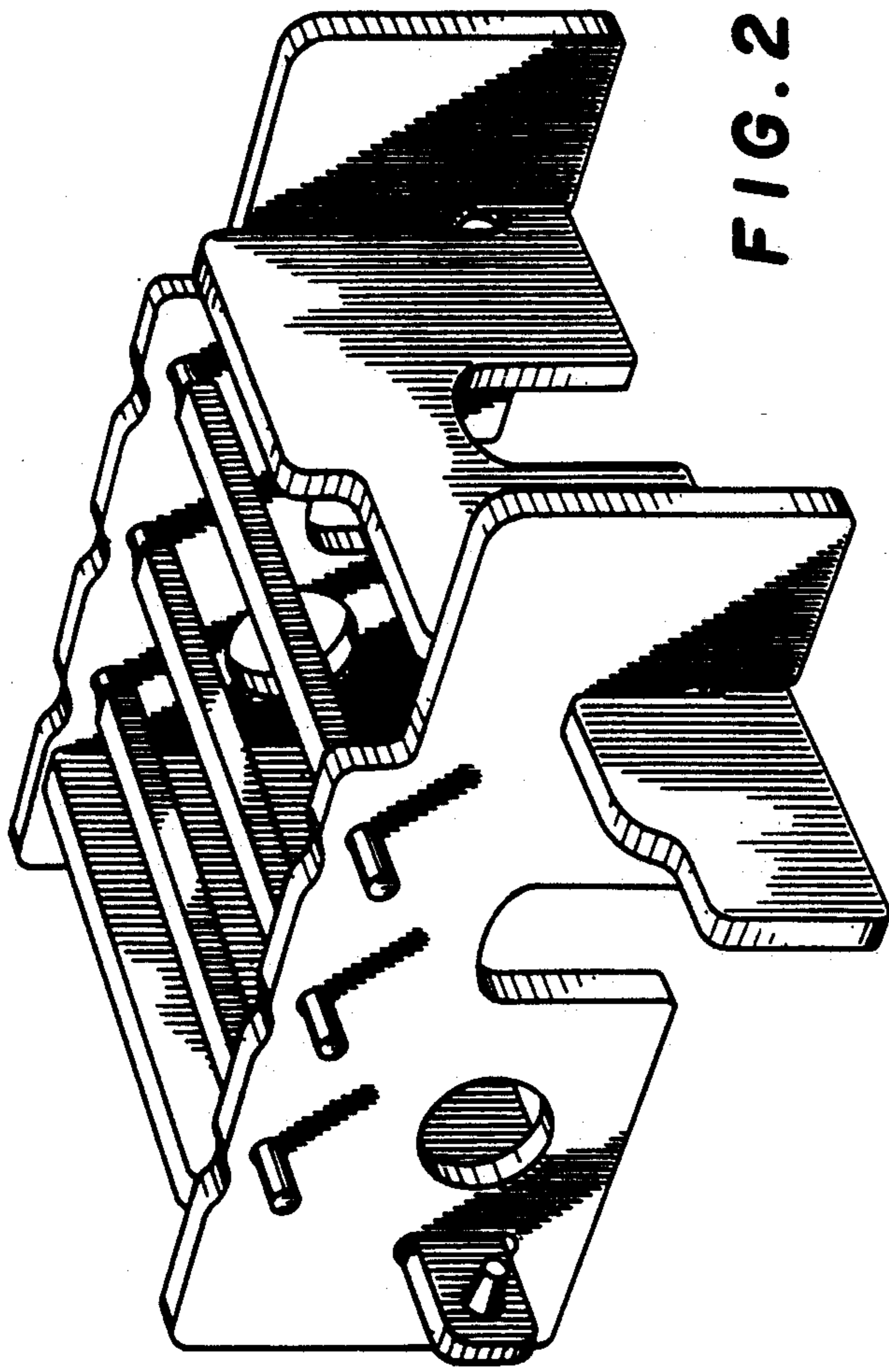


FIG. 2

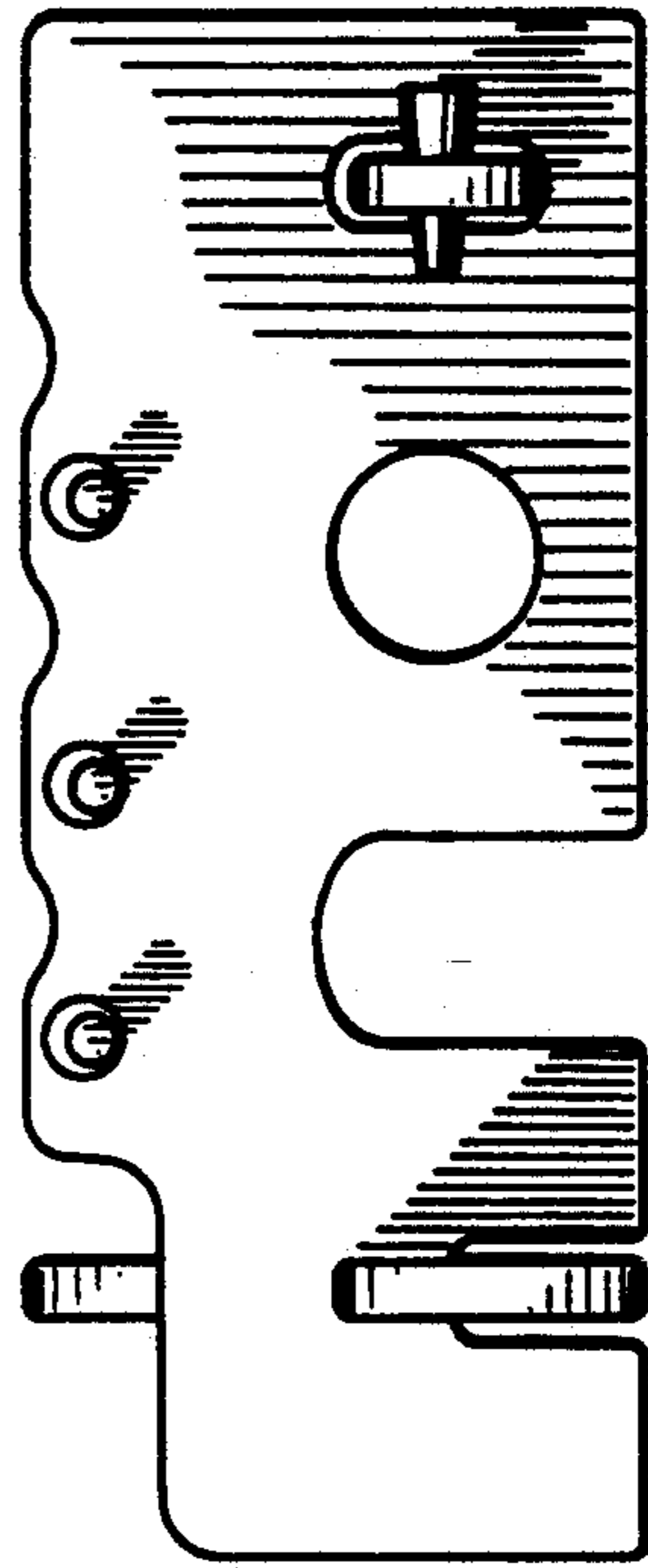


FIG. 4

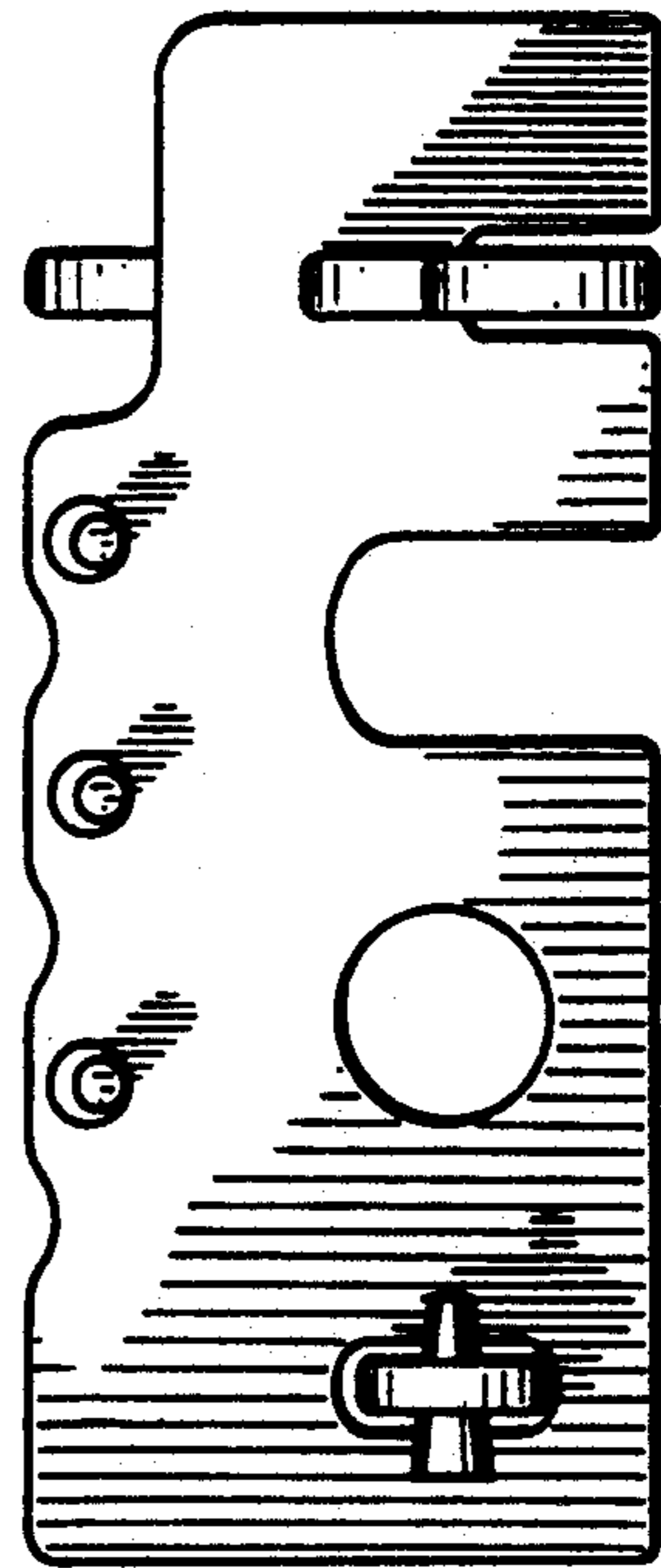


FIG. 3

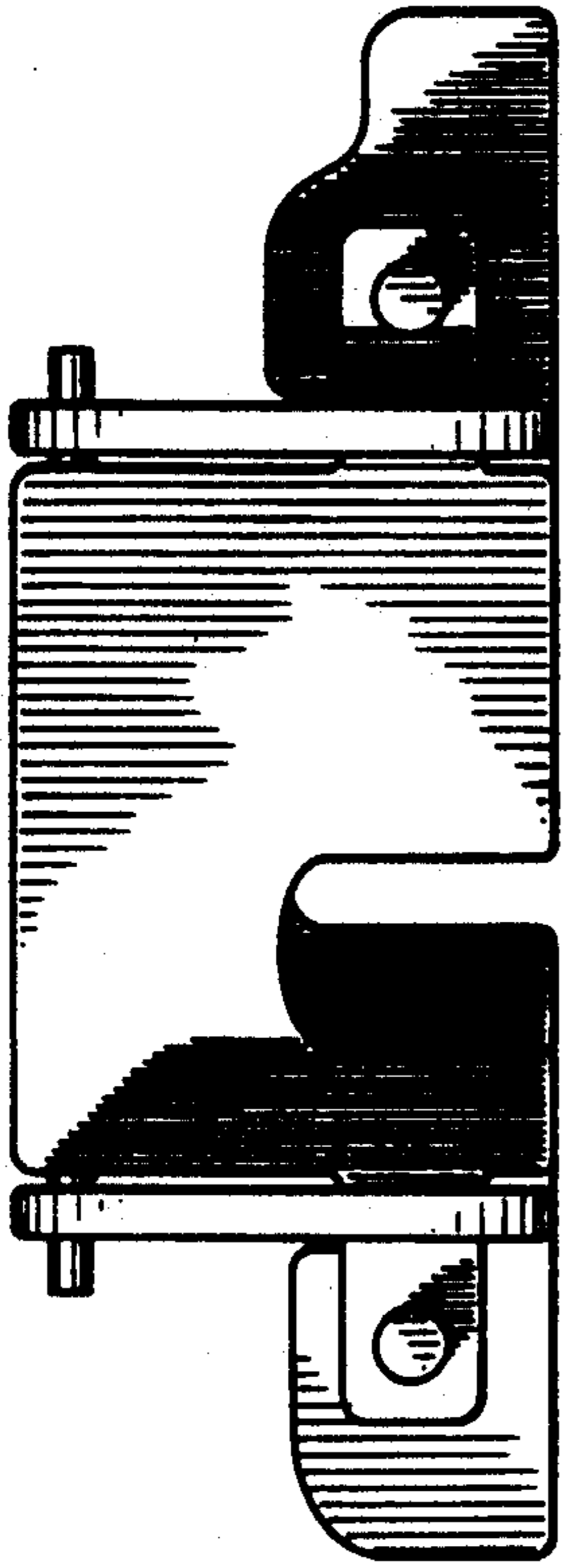


FIG. 5

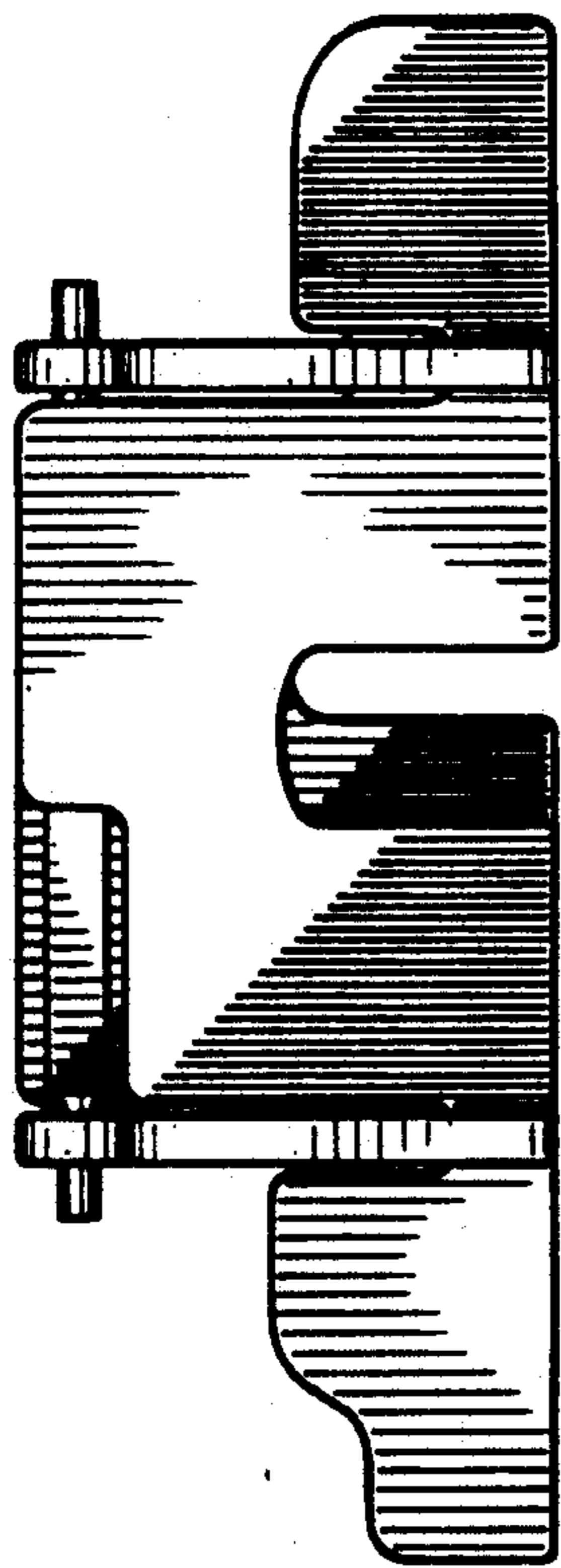


FIG. 6

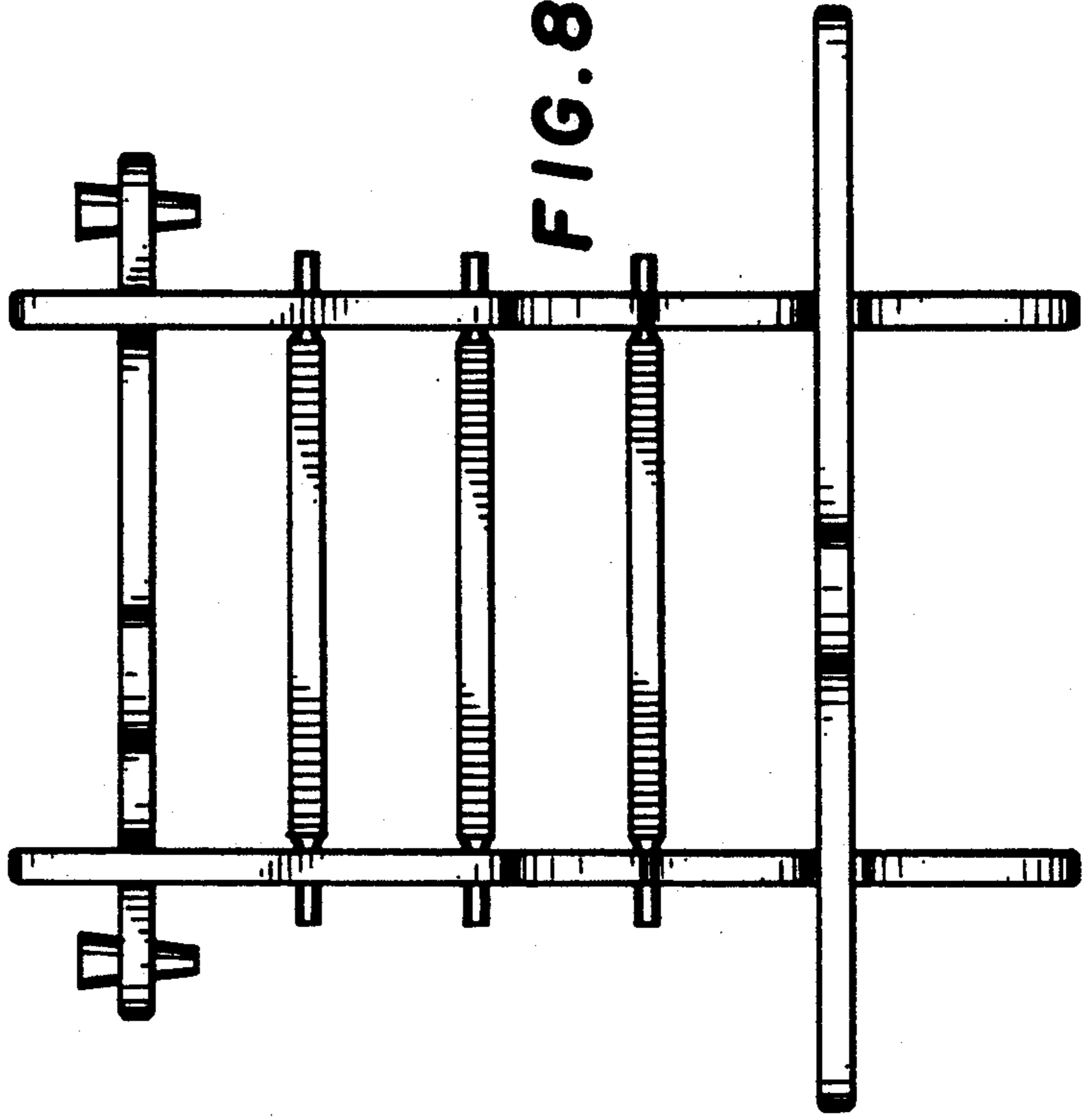


FIG. 7

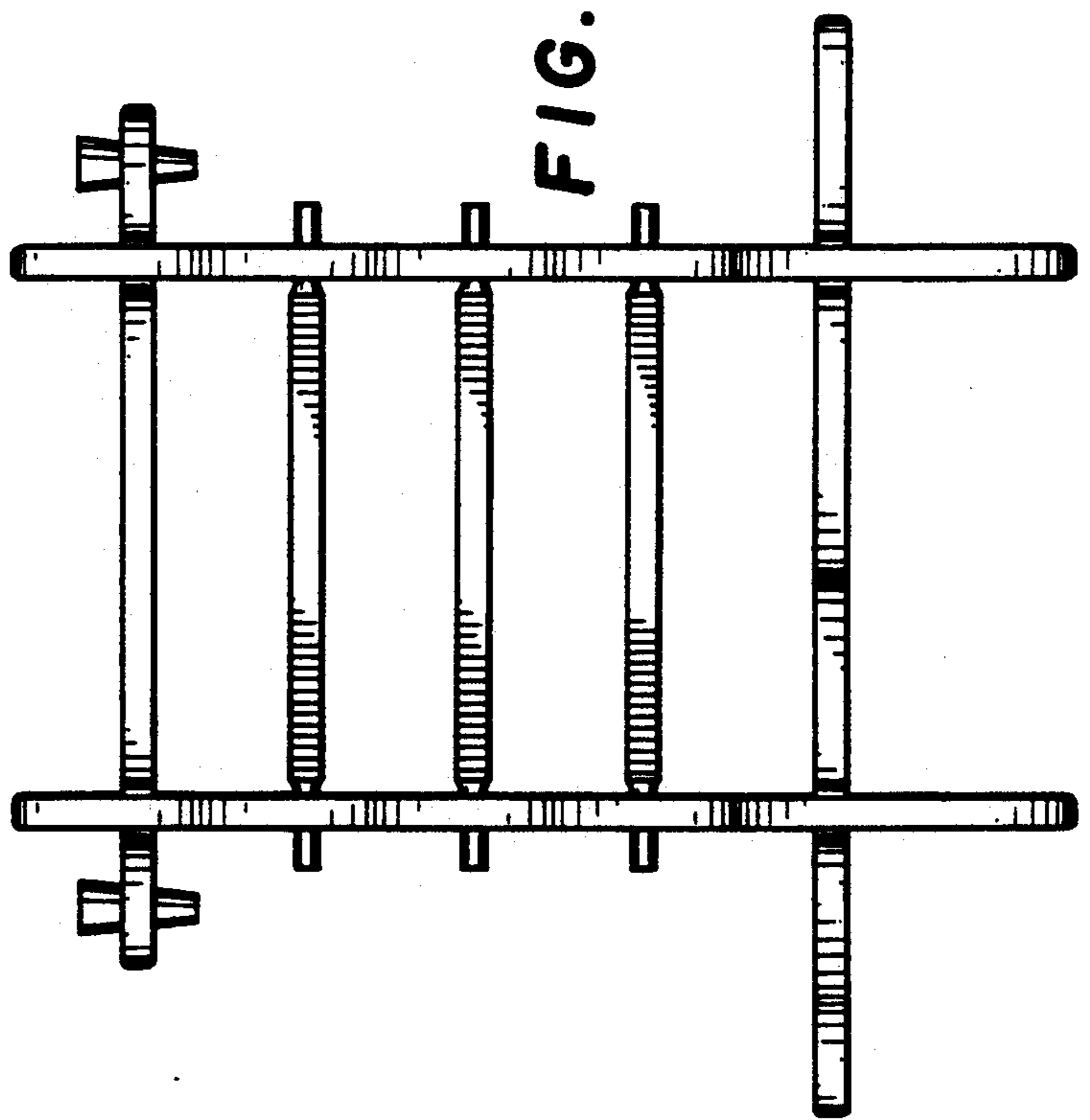


FIG. 8