



US00D338505S

United States Patent [19]

[11] Patent Number: **Des. 338,505**

LaFata

[45] Date of Patent: **** Aug. 17, 1993**

- [54] **BELLOWS FOR A BUBBLE BLOWING TOY**
- [75] Inventor: **John E. LaFata, Oxnard, Calif.**
- [73] Assignee: **Toy Originators, Inc., Ventura, Calif.**
- [**] Term: **14 Years**
- [21] Appl. No.: **580,498**
- [22] Filed: **Sep. 10, 1990**
- [52] U.S. Cl. **D21/61**
- [58] Field of Search **D23/384, 370; 92/34, 92/35; D9/301; D21/61; 273/349; 446/15, 16; 222/206, 209, 215**

Primary Examiner—James M. Gandy
Attorney, Agent, or Firm—J. Robert Cassidy

[57] **CLAIM**

The ornamental design for a bellows for bubble blowing toy, as shown.

DESCRIPTION

FIG. 1 is an isometric view of a bellows for bubble blowing toy embodying the present invention;
 FIG. 2 is a front elevational view of the bellows for bubble blowing toy shown in FIG. 1;
 FIG. 3 is a rear elevational view of the bellows for bubble blowing toy shown in FIG. 1;
 FIG. 4 is a top plan view of the bellows for bubble blowing toy shown in FIG. 1;
 FIG. 5 is a bottom plan view of the bellows for bubble blowing toy shown in FIG. 1;
 FIG. 6 is a left side elevational view of the bellows for bubble blowing toy shown in FIG. 1; and,
 FIG. 7 is a right side elevational view of the bellows for bubble blowing toy shown in FIG. 1.

[56] **References Cited**
U.S. PATENT DOCUMENTS

D. 198,857	8/1964	Rabin	D21/61
D. 292,555	11/1987	Chesterfield	D9/301
1,547,431	7/1925	Mallory	92/34
2,500,360	3/1950	Jones	92/45
3,155,281	11/1964	Stracey	D9/301
3,162,371	12/1964	Palmer et al.	D23/384

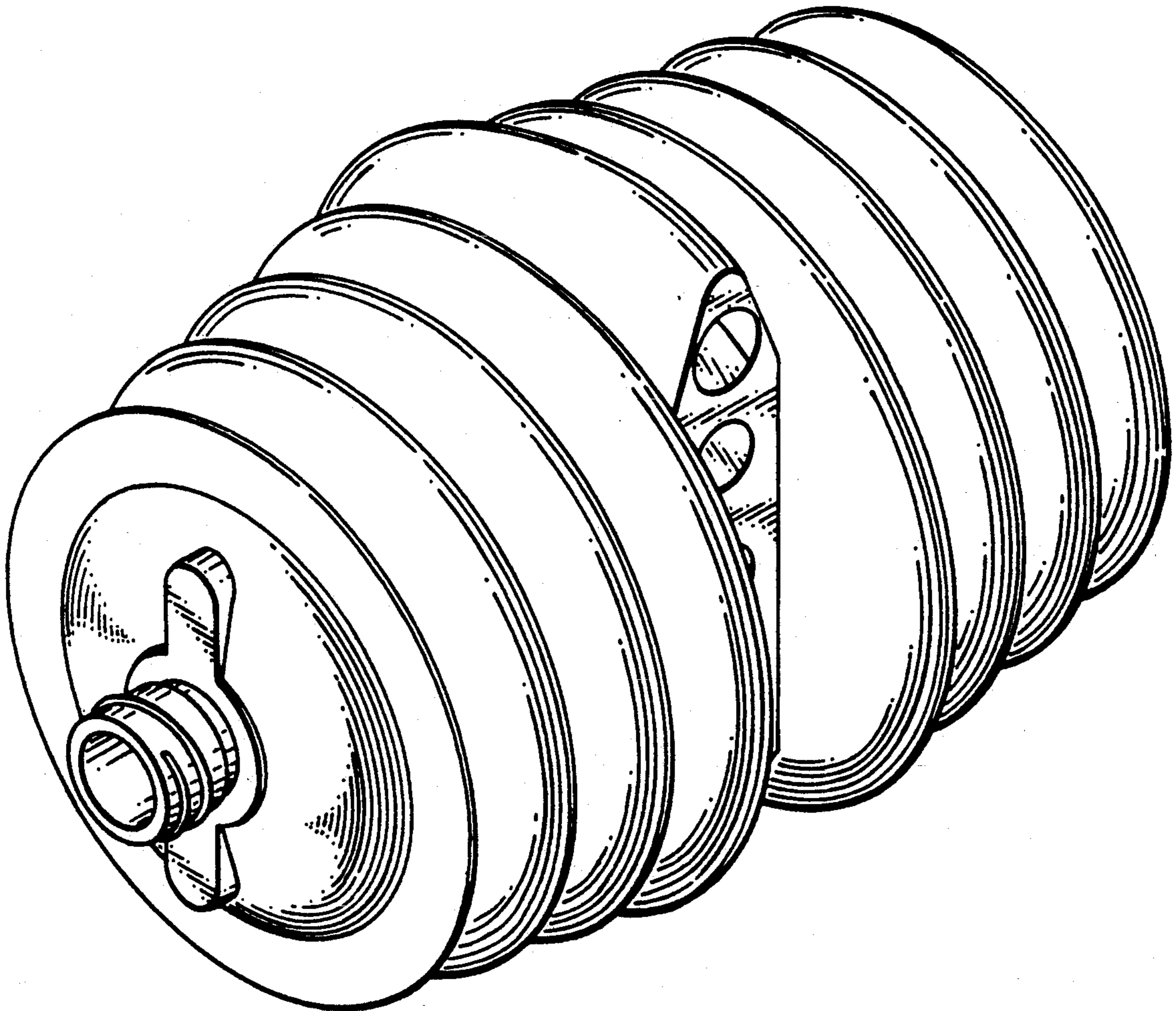


FIG. 1

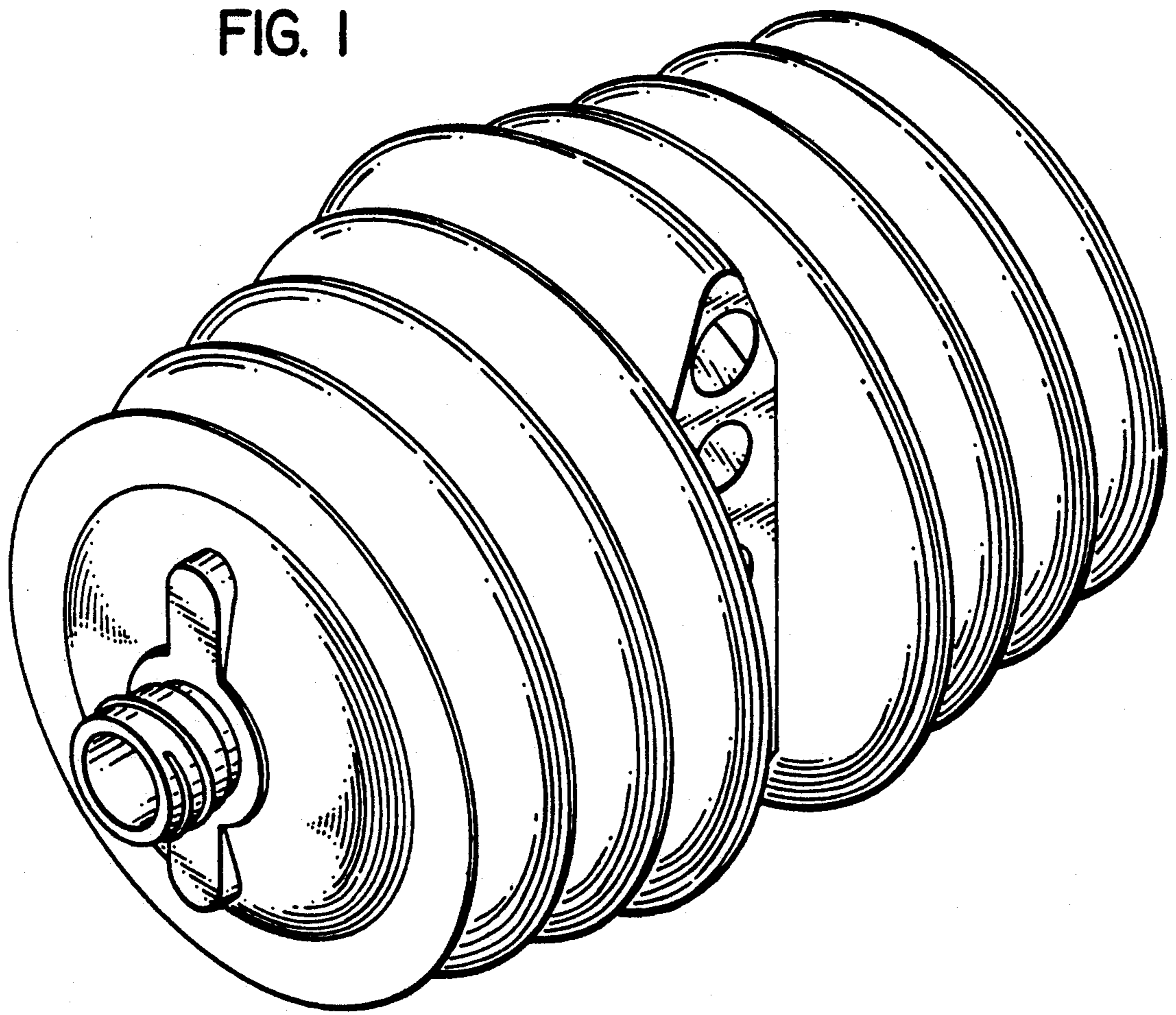


FIG. 2

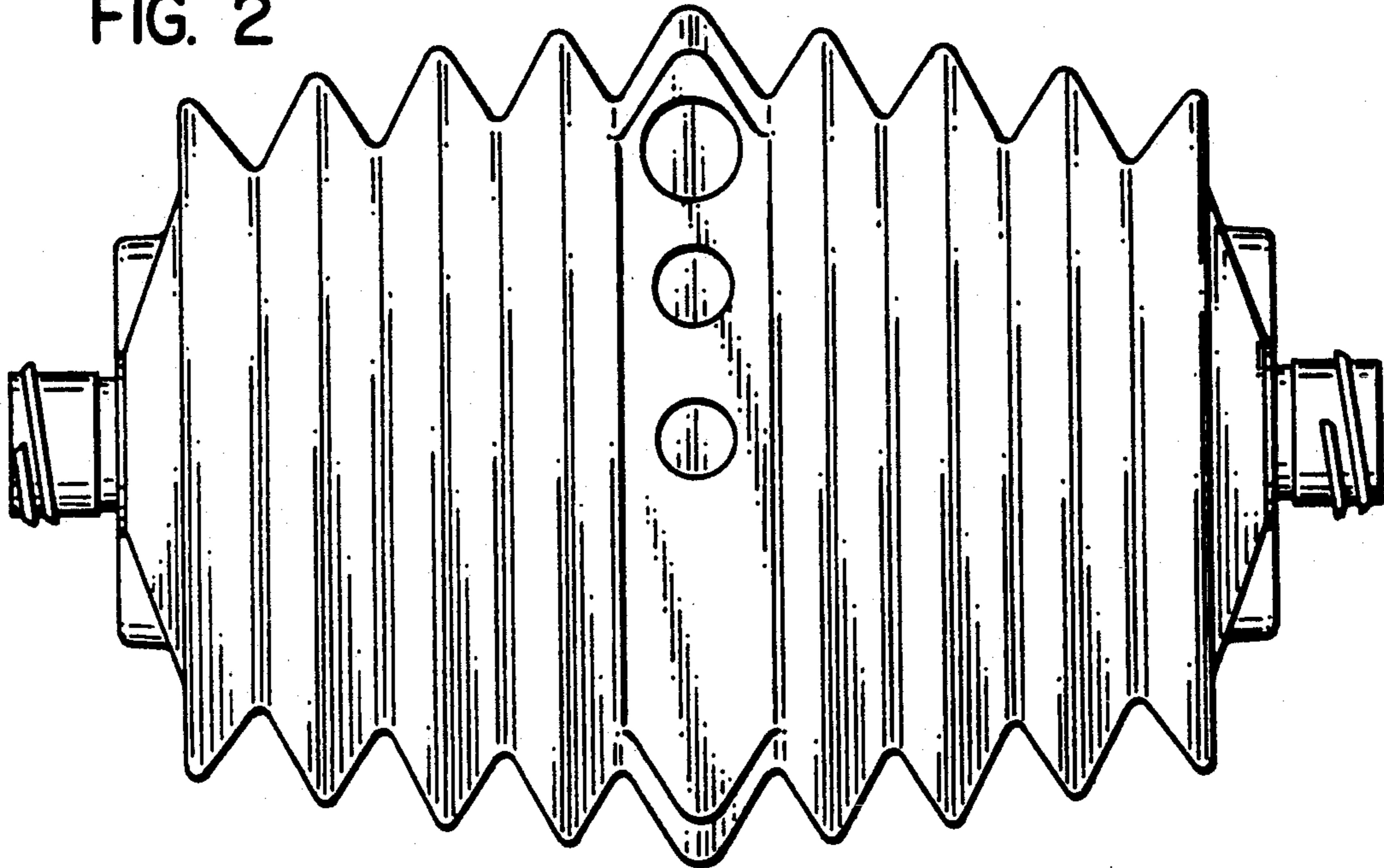


FIG. 3

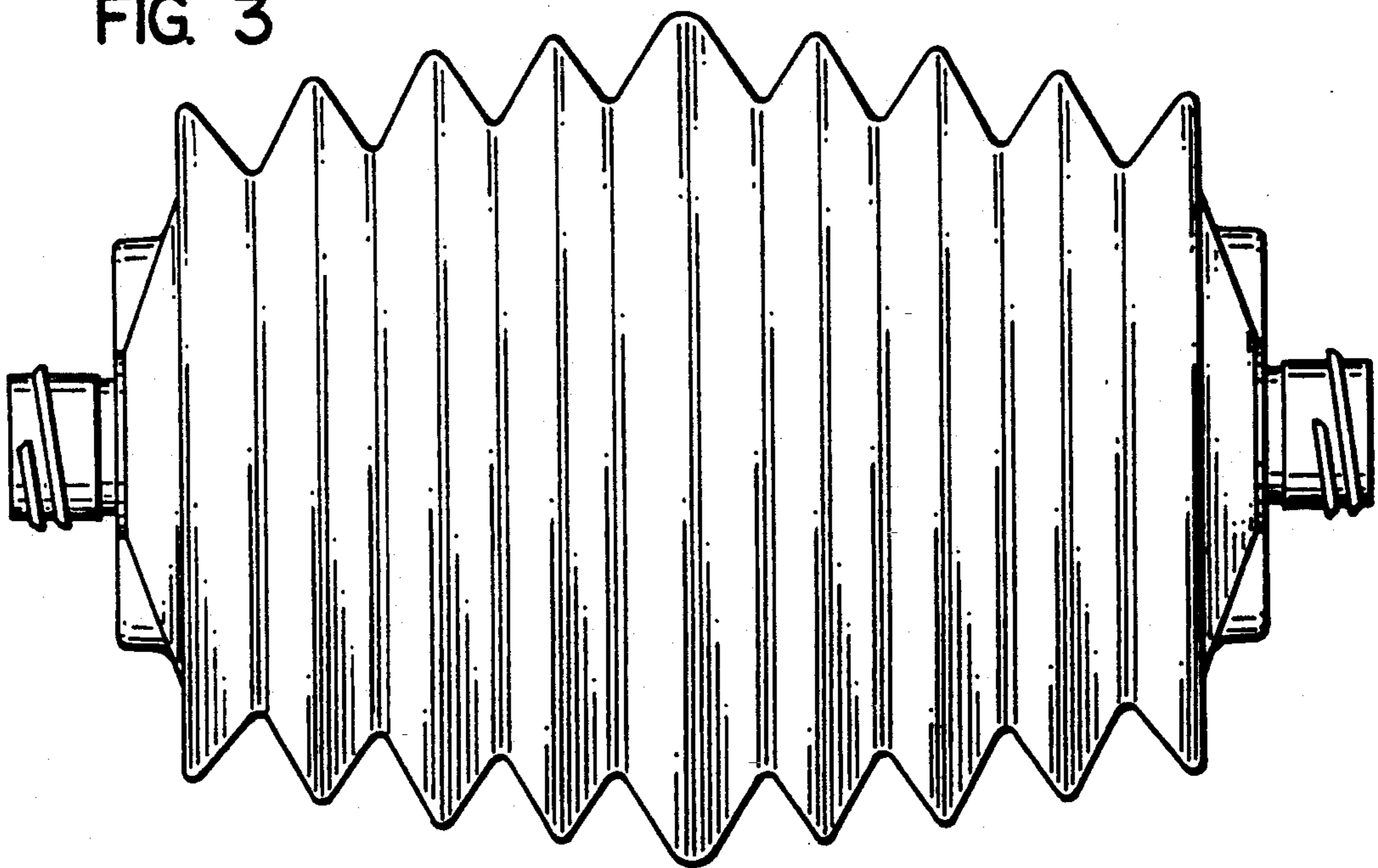


FIG. 4

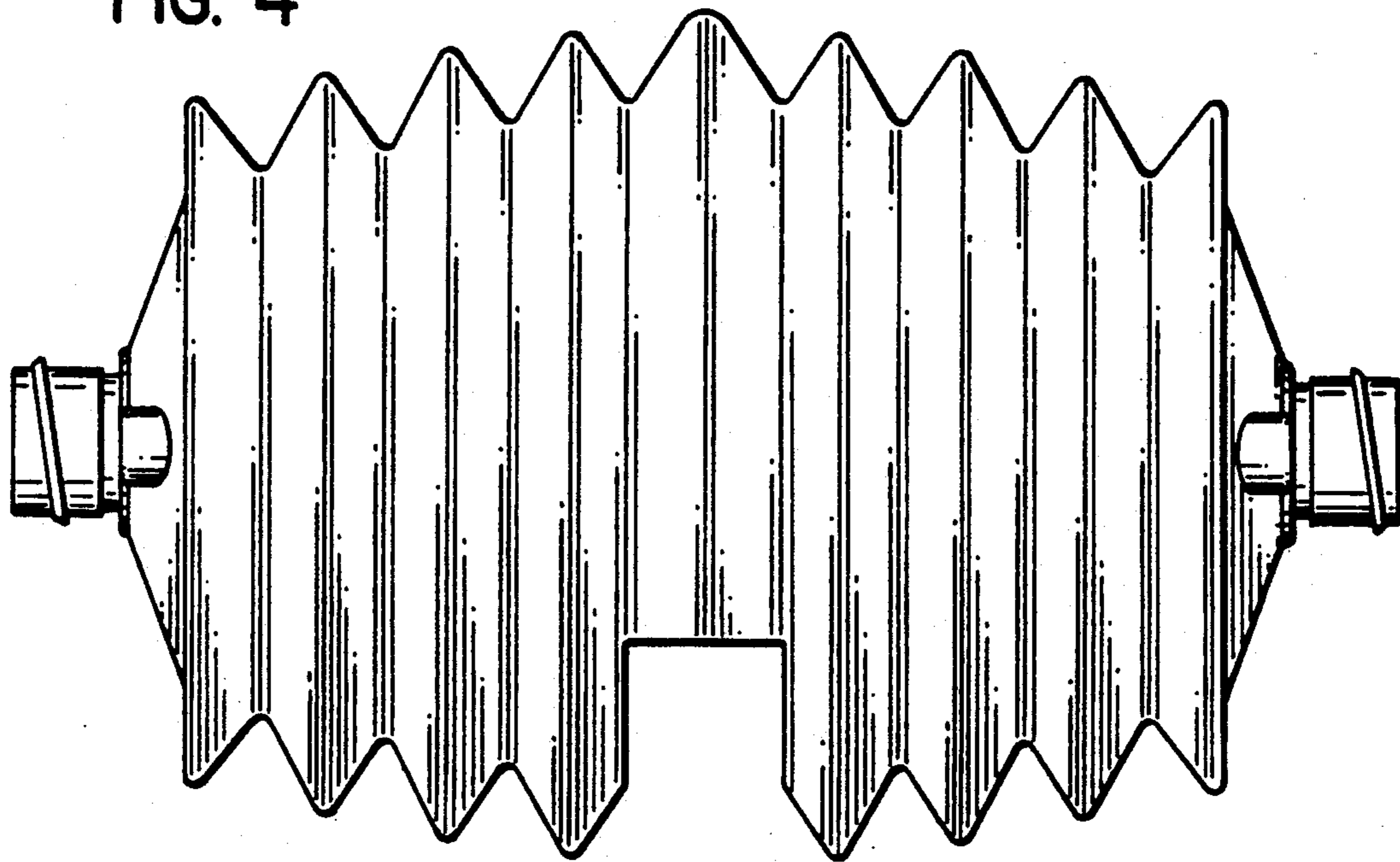


FIG. 5

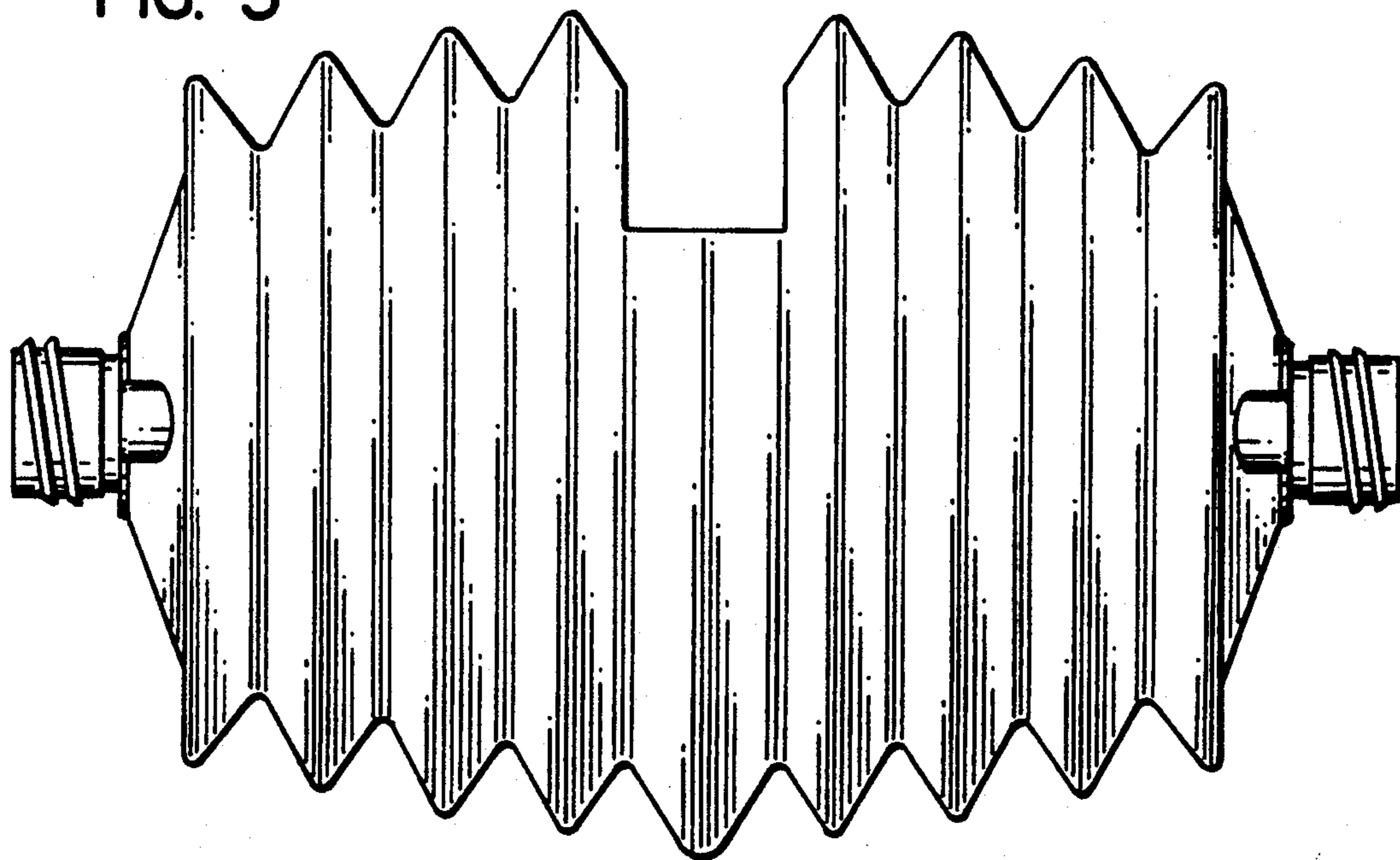


FIG. 6

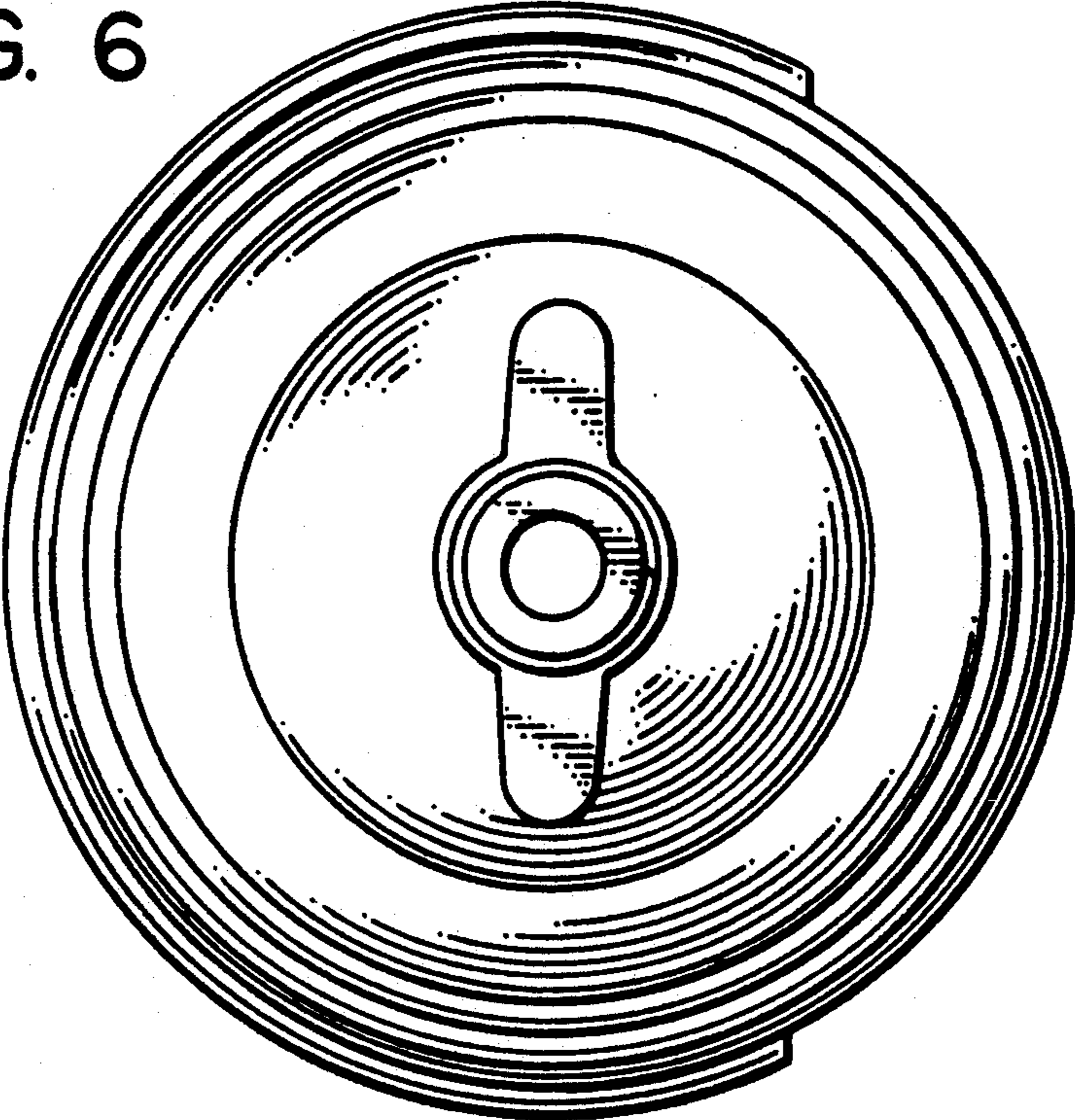


FIG. 7

