



US00D338495S

United States Patent [19]

[11] Patent Number: **Des. 338,495**

Carella

[45] Date of Patent: **** Aug. 17, 1993**

[54] **HOLDER FOR ASSORTED DESK ARTICLES**

[75] Inventor: **Nicoletta Carella, Recanati, Italy**

[73] Assignee: **Fratelli Guzzini S.p.A., Recanati, Italy**

[**] Term: **14 Years**

[21] Appl. No.: **837,497**

[22] Filed: **Feb. 18, 1992**

[30] **Foreign Application Priority Data**

Aug. 27, 1991 [IT] Italy MI910 000623

[52] U.S. Cl. **D19/78; D19/75; D19/77; D19/85; D19/86; D19/92**

[58] Field of Search **D19/35, 36, 65, 75, D19/77, 86, 92, 95, 99, 100; 206/214, 224, 371; 211/69.1-69.9**

[56] **References Cited**

U.S. PATENT DOCUMENTS

- D. 102,468 12/1936 McCoy D19/78 X
- D. 287,862 1/1987 Hauser D19/78
- D. 296,794 7/1988 Leithauser D19/78

- D. 305,246 12/1989 Kirchhoff et al. D19/75
- D. 317,017 5/1991 Kheng D19/78
- D. 317,179 5/1991 Kheng D19/86 X
- D. 320,619 10/1991 Schleeh et al. D19/92 X
- 4,066,171 1/1978 Fowlie 211/69.1

Primary Examiner—Nelson C. Holtje
Assistant Examiner—Martha Thompson
Attorney, Agent, or Firm—Hedman, Gibson & Costigan

[57] **CLAIM**

The ornamental design for a holder for assorted desk articles, as shown and described.

DESCRIPTION

FIG. 1 is a top, left front perspective view of a holder for assorted desk articles showing my new design; FIG. 2 is a top, right rear perspective view thereof; FIG. 3 is a top plan view thereof; FIG. 4 is a bottom plan view thereof; FIG. 5 is a rear elevation view thereof; FIG. 6 is a front elevation view thereof; FIG. 7 is a left side elevational view thereof; FIG. 8 is a right side elevational view thereof; and, FIG. 9 is a cross-sectional view thereof, taken in the direction of arrows IX-IX in FIG. 5.

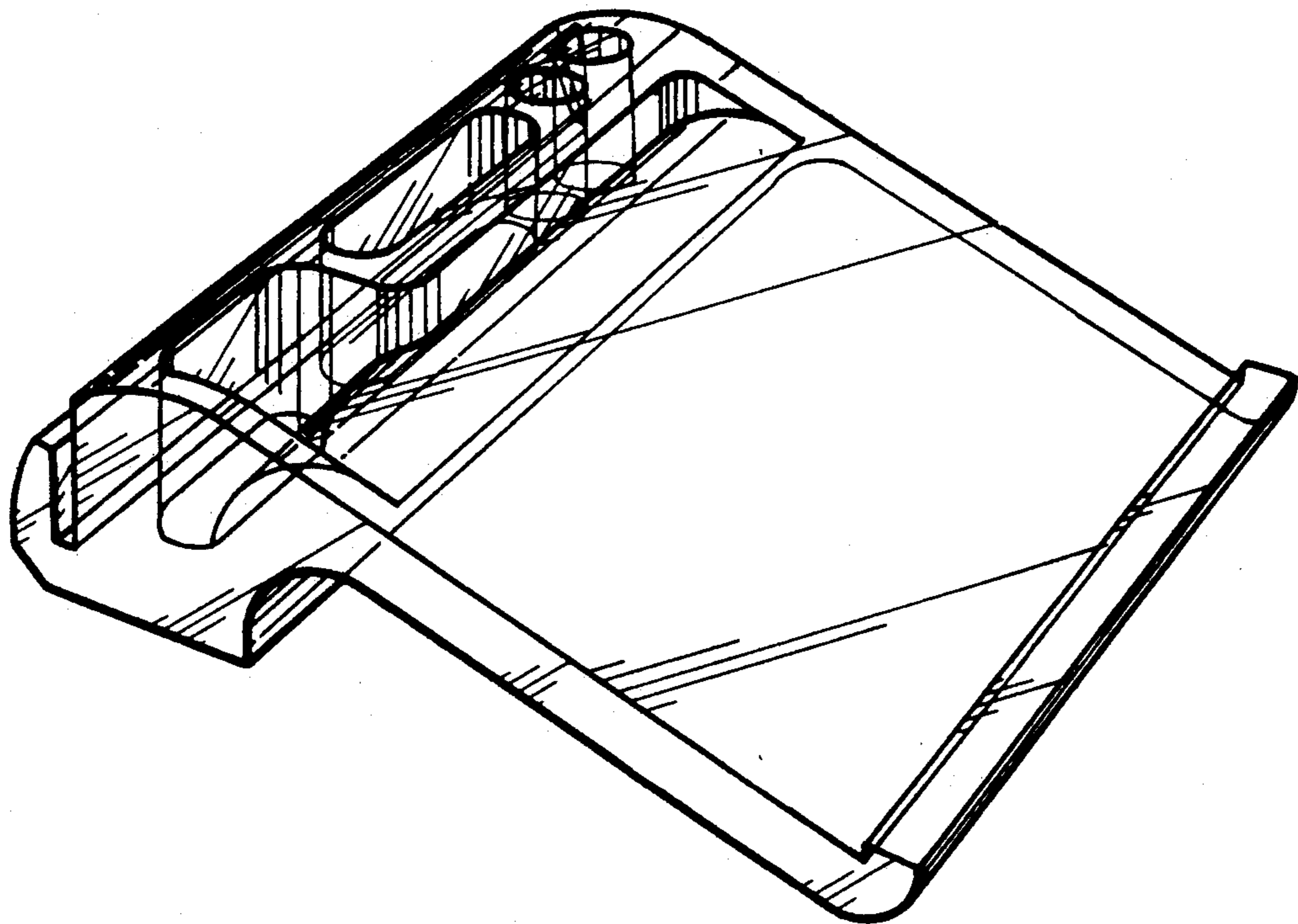


Fig.1

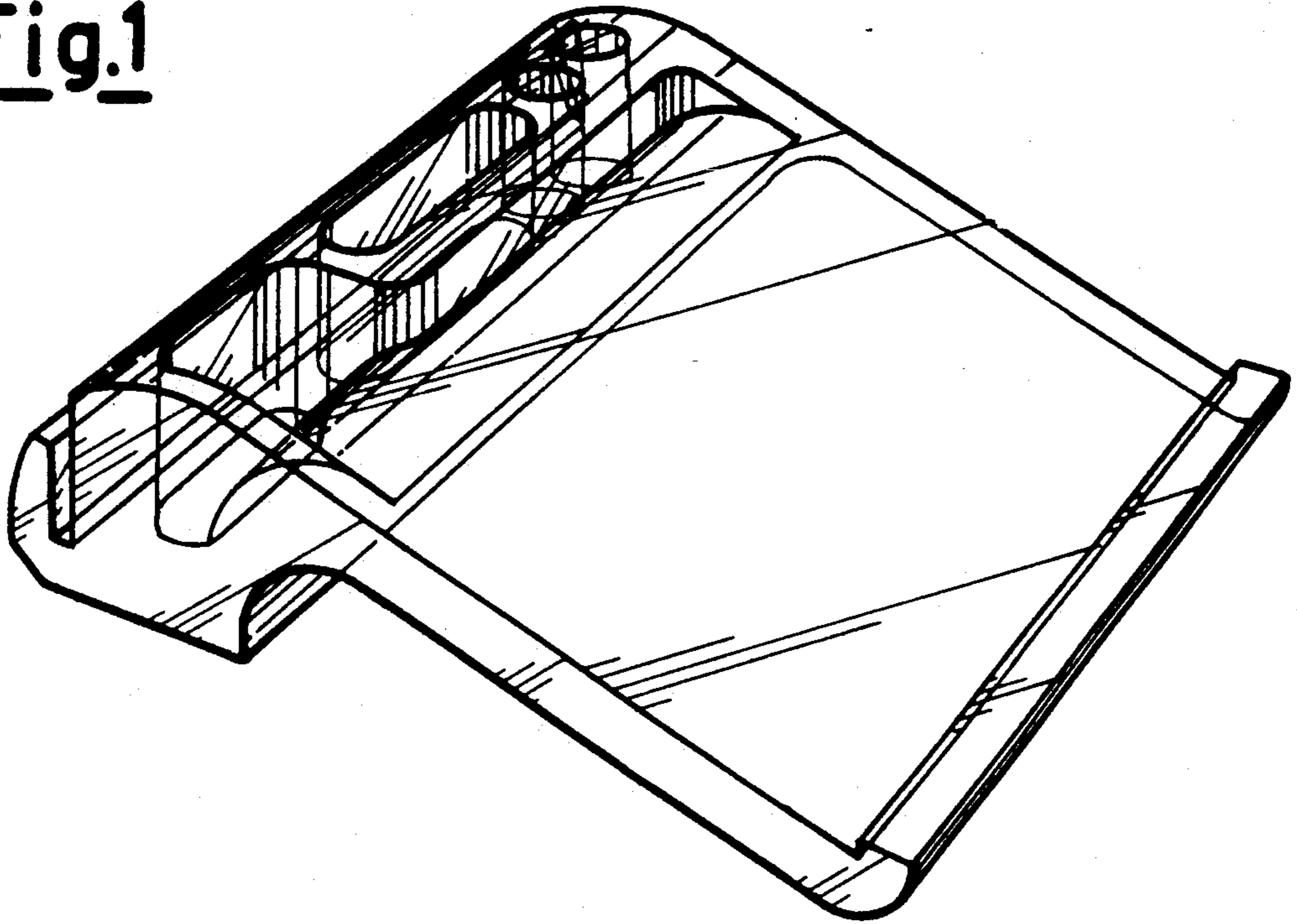
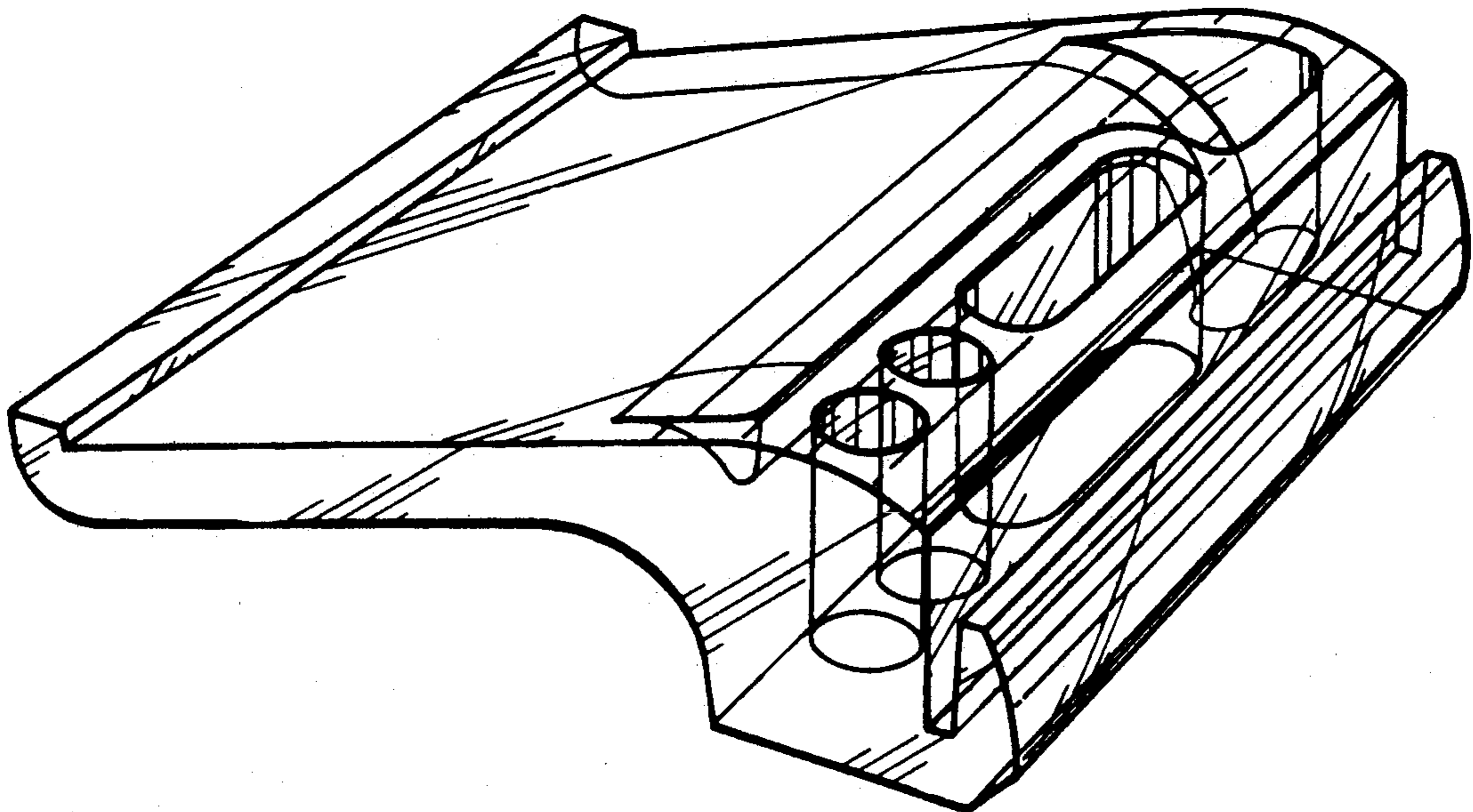


Fig.2



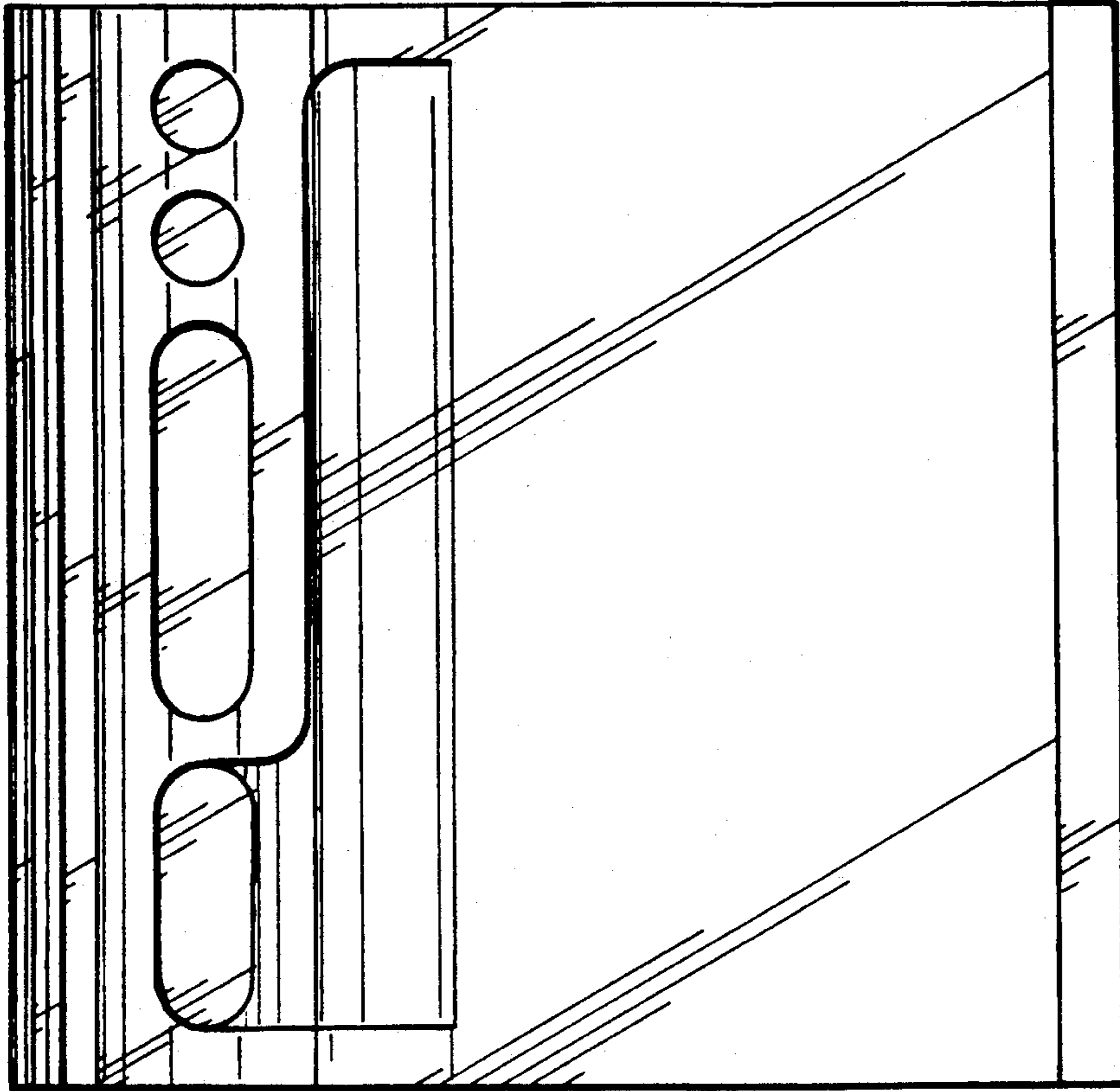


Fig.3

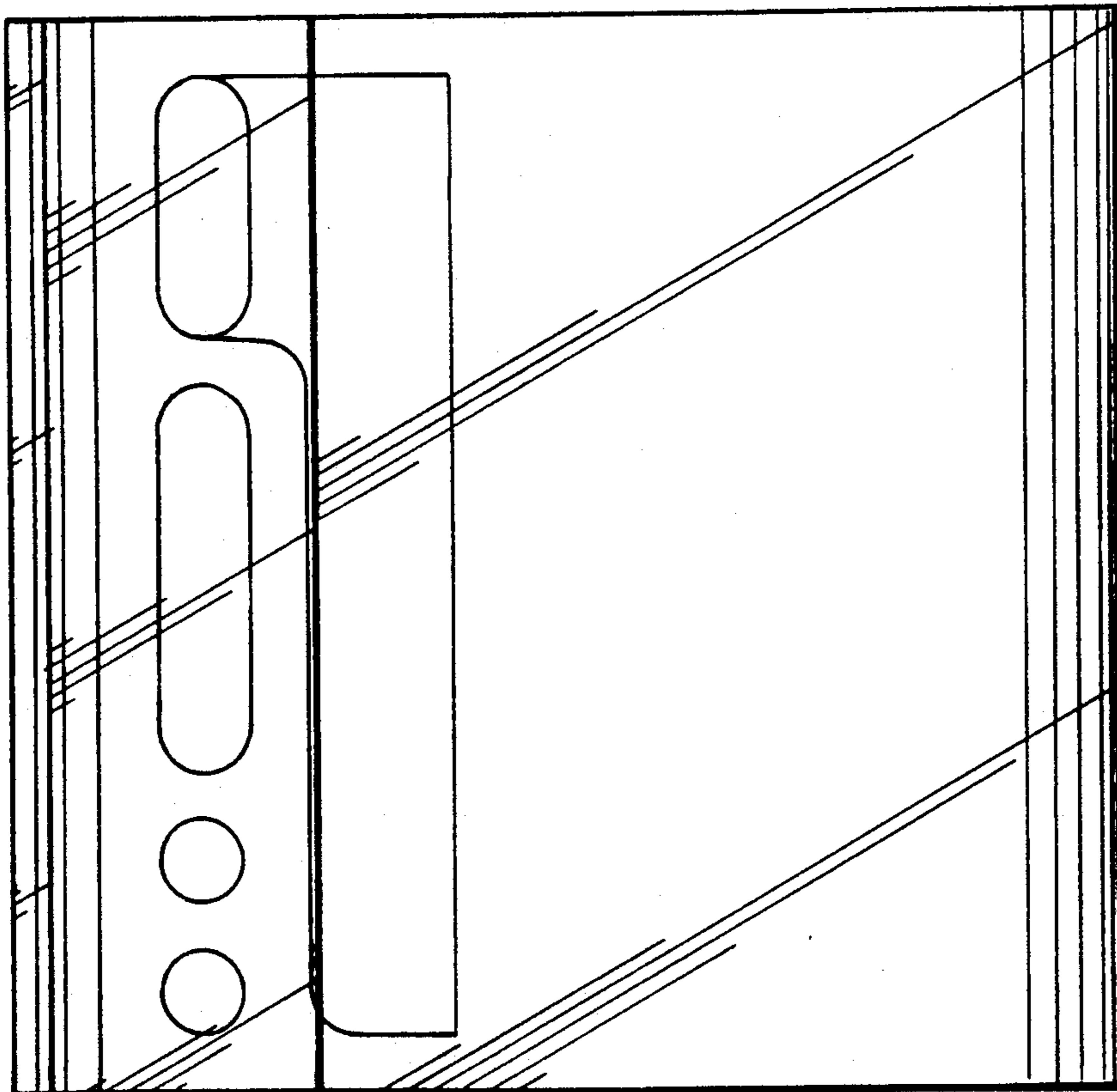


Fig.4

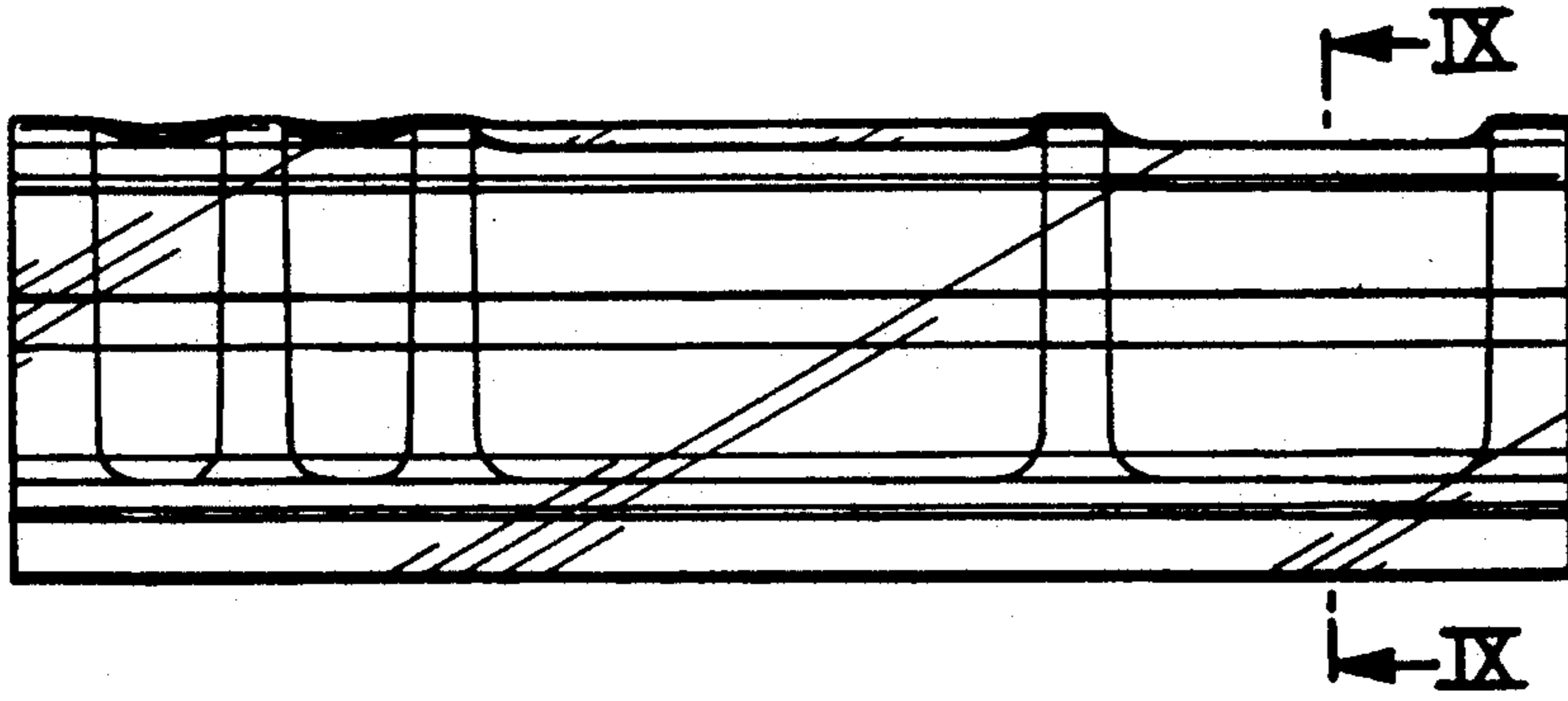


Fig. 5

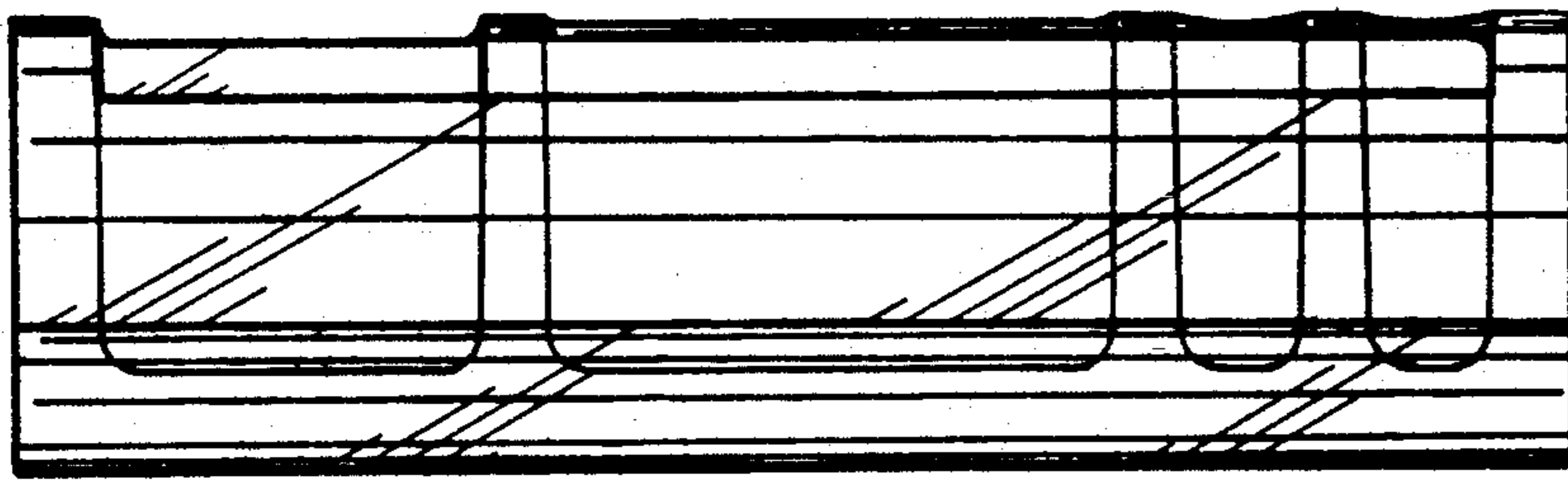


Fig. 6

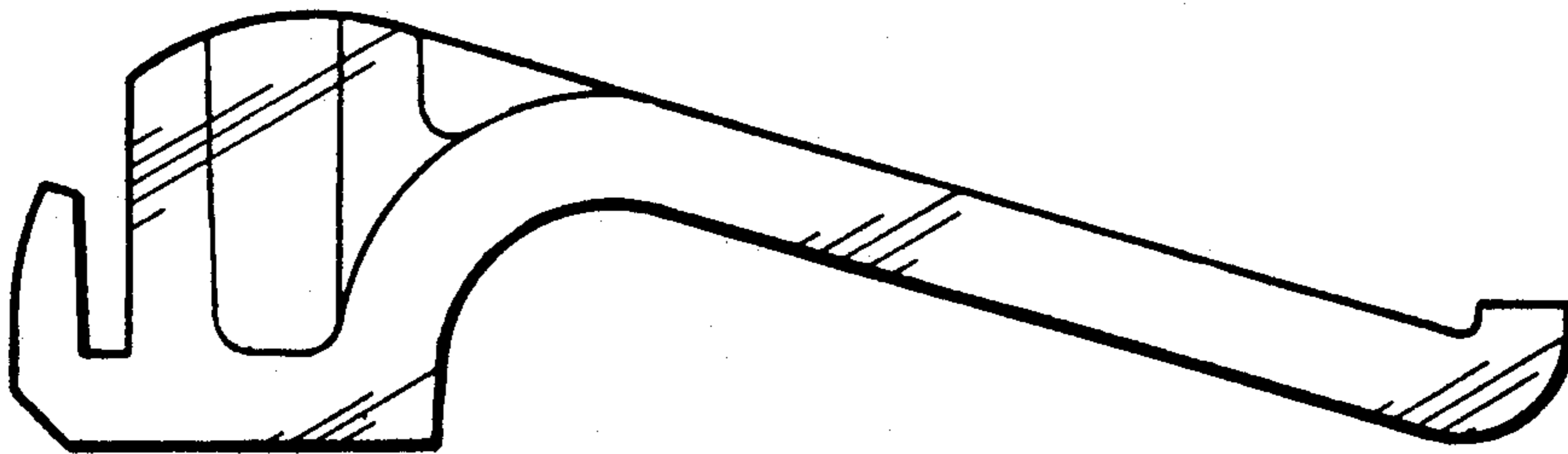


Fig. 7

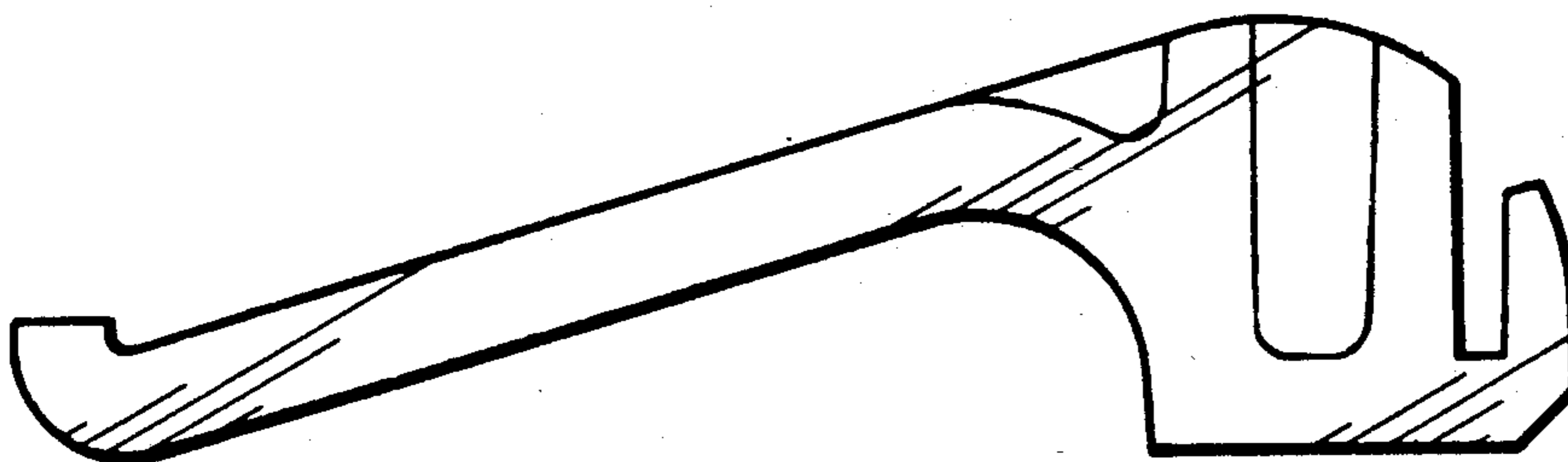


Fig. 8

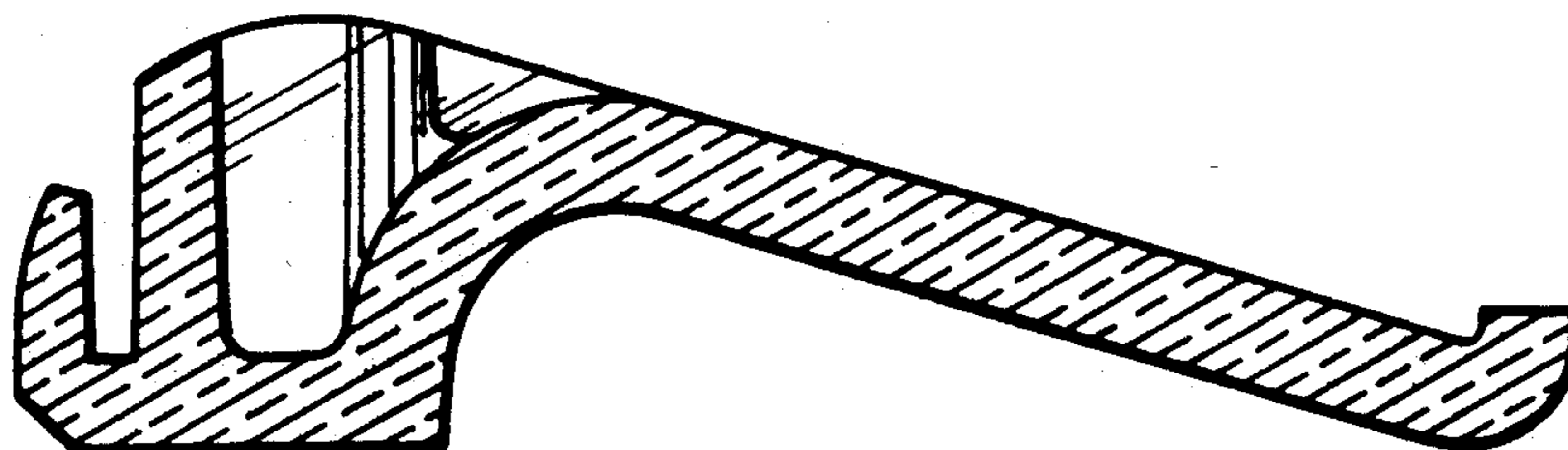


Fig. 9