



US00D338494S

# United States Patent [19]

[11] Patent Number: **Des. 338,494**

**Hofman**

[45] Date of Patent: **\*\* Aug. 17, 1993**

[54] **COMBINED HOLDER FOR A NOTE PAD AND WRITING INSTRUMENT**

[75] Inventor: **James Hofman, Lake Bluff, Ill.**

[73] Assignee: **Rubbermaid Office Products Group Inc., Inglewood, Calif.**

[\*\*] Term: **14 Years**

[21] Appl. No.: **767,936**

[22] Filed: **Sep. 30, 1991**

[52] U.S. Cl. .... **D19/78; D19/83; D19/86; D19/92**

[58] Field of Search ..... **D19/20-22, D19/65, 75, 78, 81-85, 86, 89, 91, 92, 99, 100; 211/69.1-69.9, 10, 13, 126; 206/214, 215, 555**

[56] **References Cited**

**U.S. PATENT DOCUMENTS**

D. 91,515	2/1934	DuBois	.....	D19/92
D. 119,267	3/1940	Kemp	.....	D19/78 X
D. 121,284	7/1940	Lippincott	.....	D19/83 X
D. 121,460	7/1940	Petzold	.....	D19/22
D. 123,462	11/1940	Pollock	.....	D19/89 X
D. 124,295	12/1940	Taubert	.....	D19/78 X
D. 136,660	11/1943	Kiser	.....	D19/83 X
D. 151,676	11/1948	Bletzinger	.....	D19/89
D. 154,294	6/1949	Marlow	.....	D19/89 X
D. 156,538	12/1949	Kingmon	.....	D19/89
D. 158,815	5/1950	Taylor	.....	D19/89
D. 161,358	12/1950	Miller	.....	D19/92
D. 170,880	11/1953	Marano	.....	D19/78
D. 170,881	1/1953	Marano	.....	D19/92 X
D. 181,579	1/1957	Dodge	.....	D19/89
D. 211,218	5/1968	Gafford	.....	D19/36
D. 228,083	8/1973	Longarzo	.....	D19/36
D. 245,170	7/1977	Evenson	.....	D19/92
D. 245,783	9/1977	Fieni	.....	D19/75

D. 251,496	4/1979	Freelander	.....	D19/78 X
D. 254,013	1/1980	Intini	.....	D19/21
D. 254,253	2/1980	Haley	.....	D14/65
D. 262,893	2/1982	Martin	.....	D19/92
D. 270,739	9/1983	Pearson	.....	D19/78
D. 292,220	10/1987	Wen	.....	D19/92
D. 296,794	7/1988	Leithauser	.....	D19/78
D. 296,907	7/1988	Danielsson	.....	D19/75
D. 298,764	11/1988	Herr et al.	.....	D19/92
D. 303,993	10/1989	Szablak et al.	.....	D19/78
D. 306,319	2/1990	Evenson	.....	D19/77
D. 327,500	6/1992	Breen et al.	.....	D19/78

**OTHER PUBLICATIONS**

Pp. 5 and 7, Note Pad and Pencil Holder, Eldon Office Products, 1130 E. 230th St., Carson, Calif. 90745. Publication date 1989.

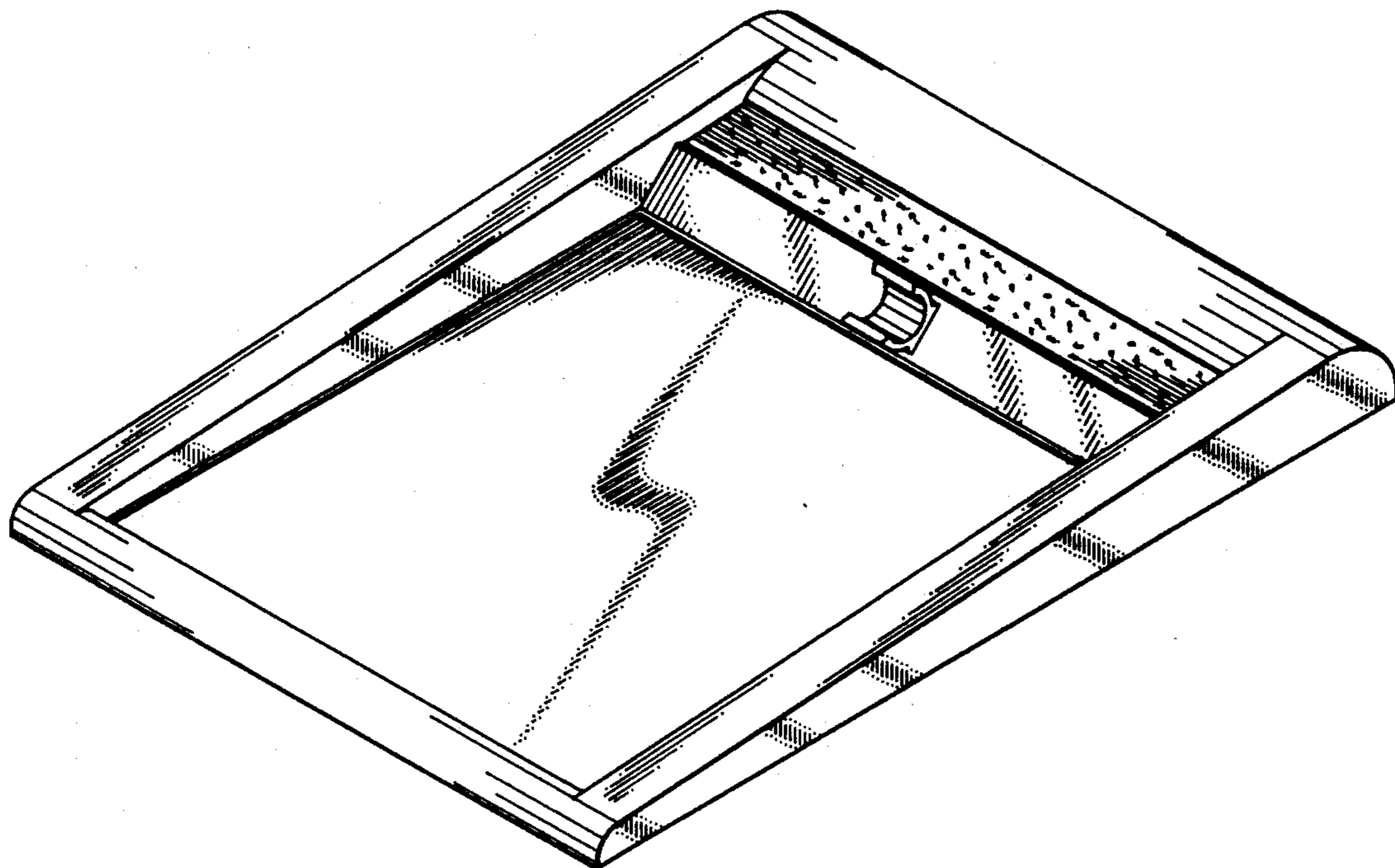
*Primary Examiner*—Nelson C. Holtje  
*Assistant Examiner*—Martha Thompson  
*Attorney, Agent, or Firm*—Richard B. O'Planick; Lisa B. Riedesel

[57] **CLAIM**

The ornamental design for a combined holder for a note pad and writing instrument, as shown and described.

**DESCRIPTION**

FIG. 1 is a front elevational view of a combined holder for a note pad and writing instrument showing my new design; FIG. 2 is a rear elevational view; FIG. 3 is a side elevational view, the opposite side being a mirror image thereof; FIG. 4 is a top plan view; FIG. 5 is a bottom plan view; and, FIG. 6 is a perspective view from the front, top and right side.



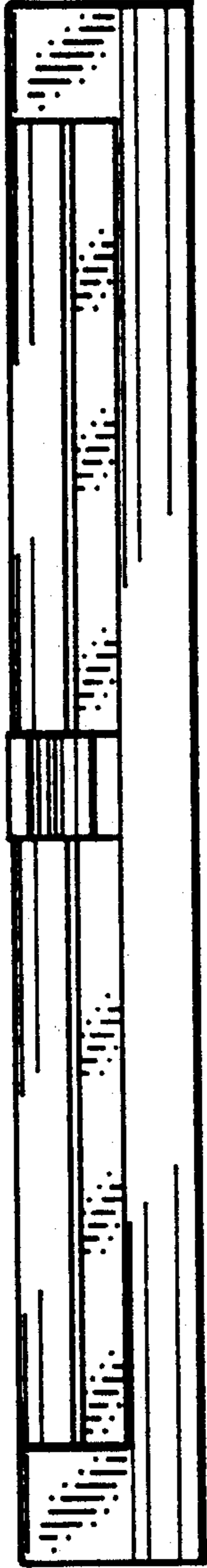


FIG 1

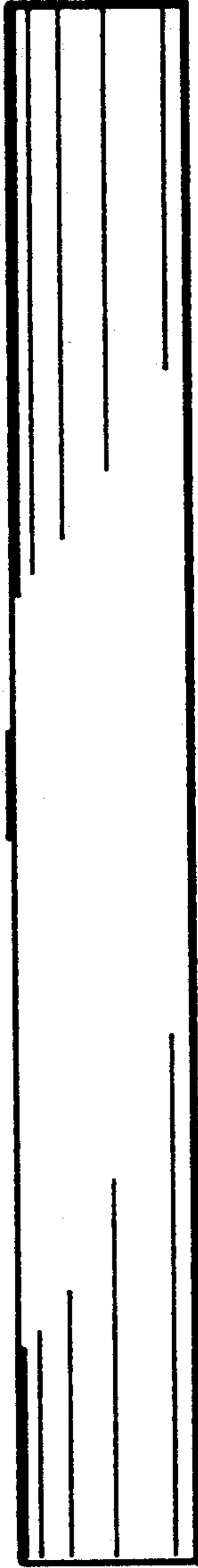


FIG 2

FIG 3

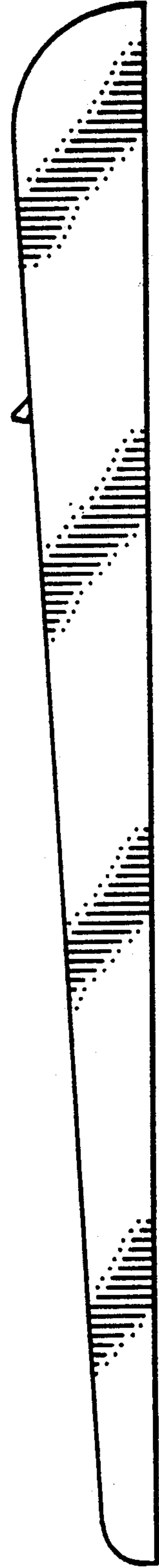


FIG 4

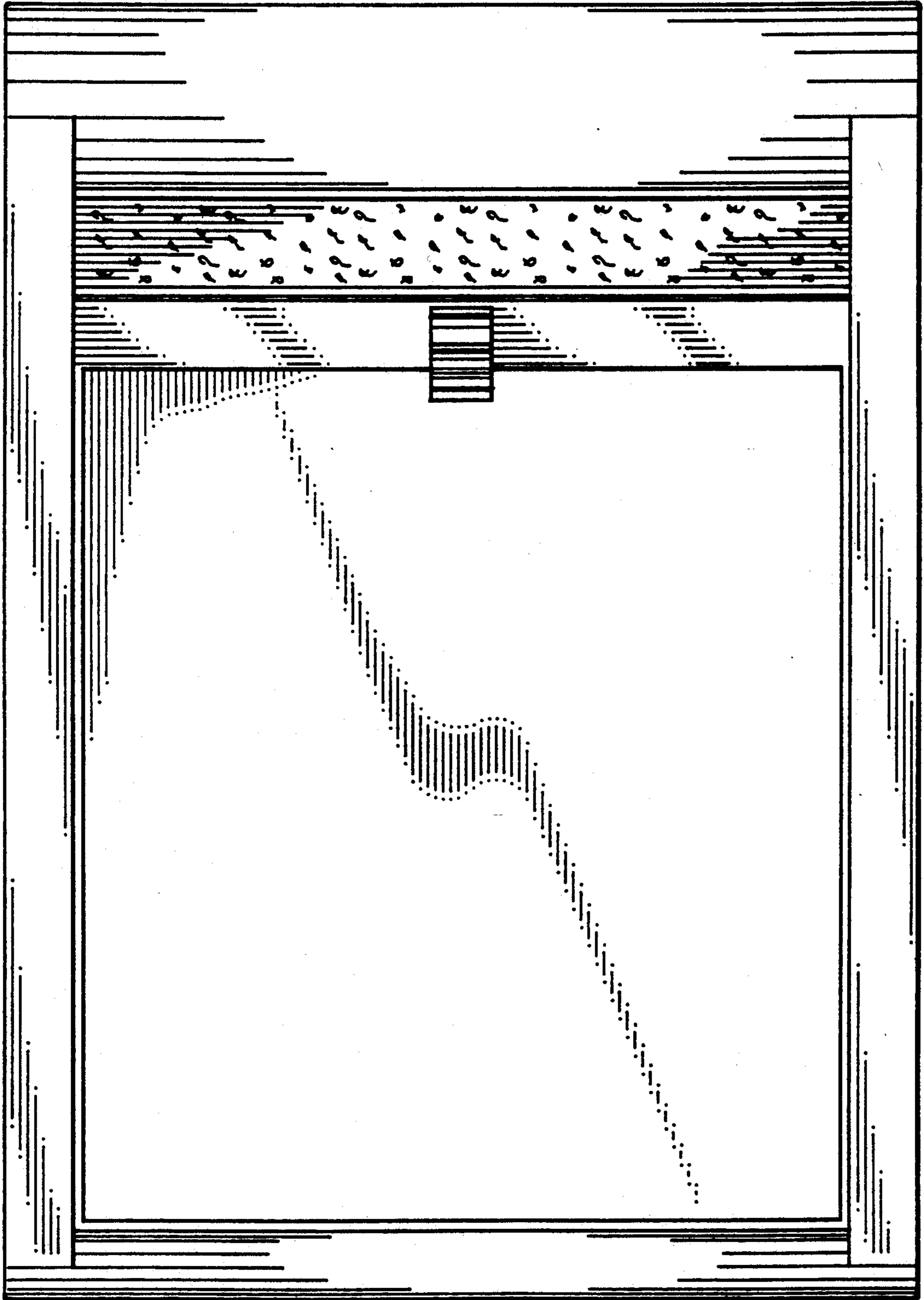
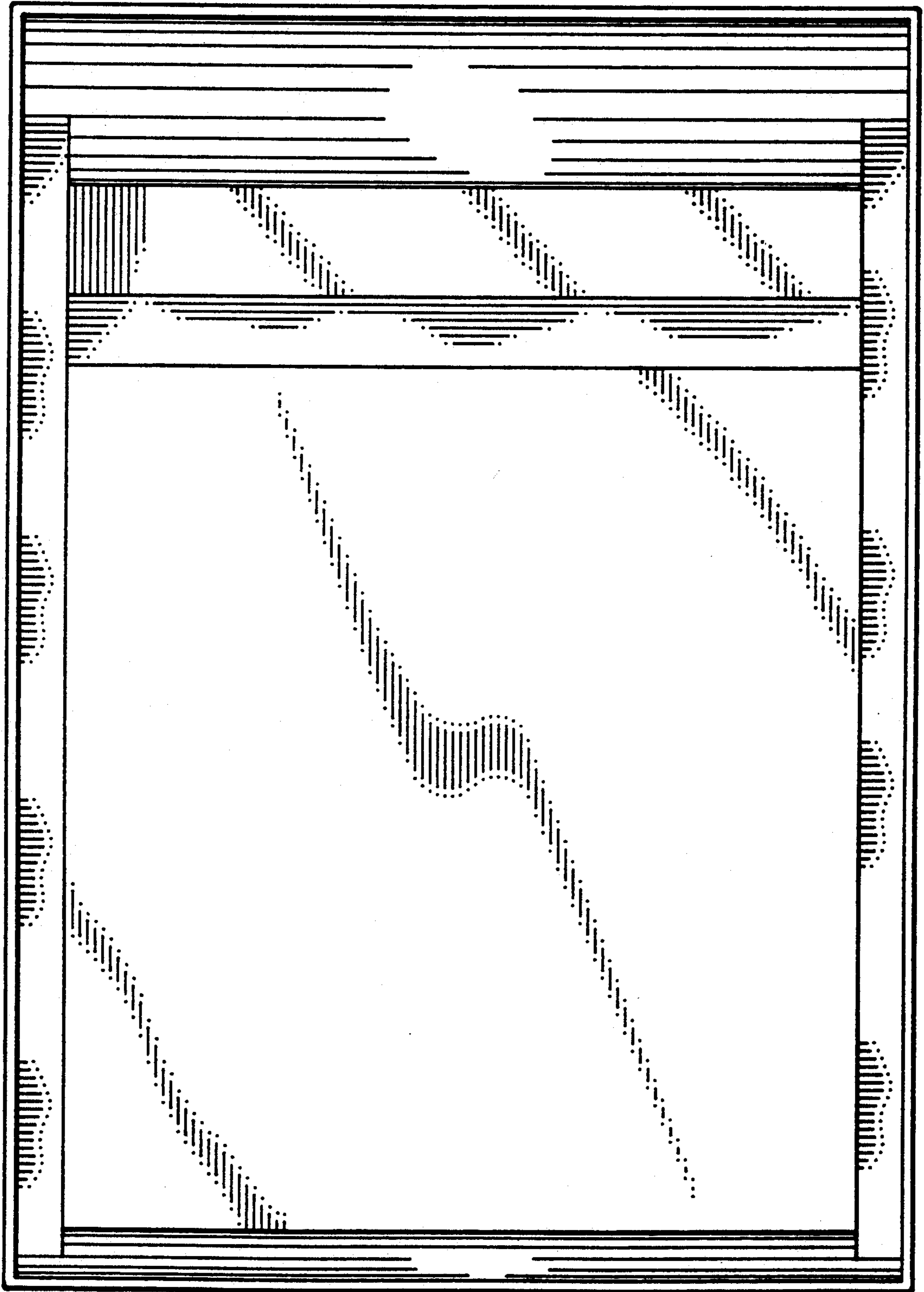


FIG 5



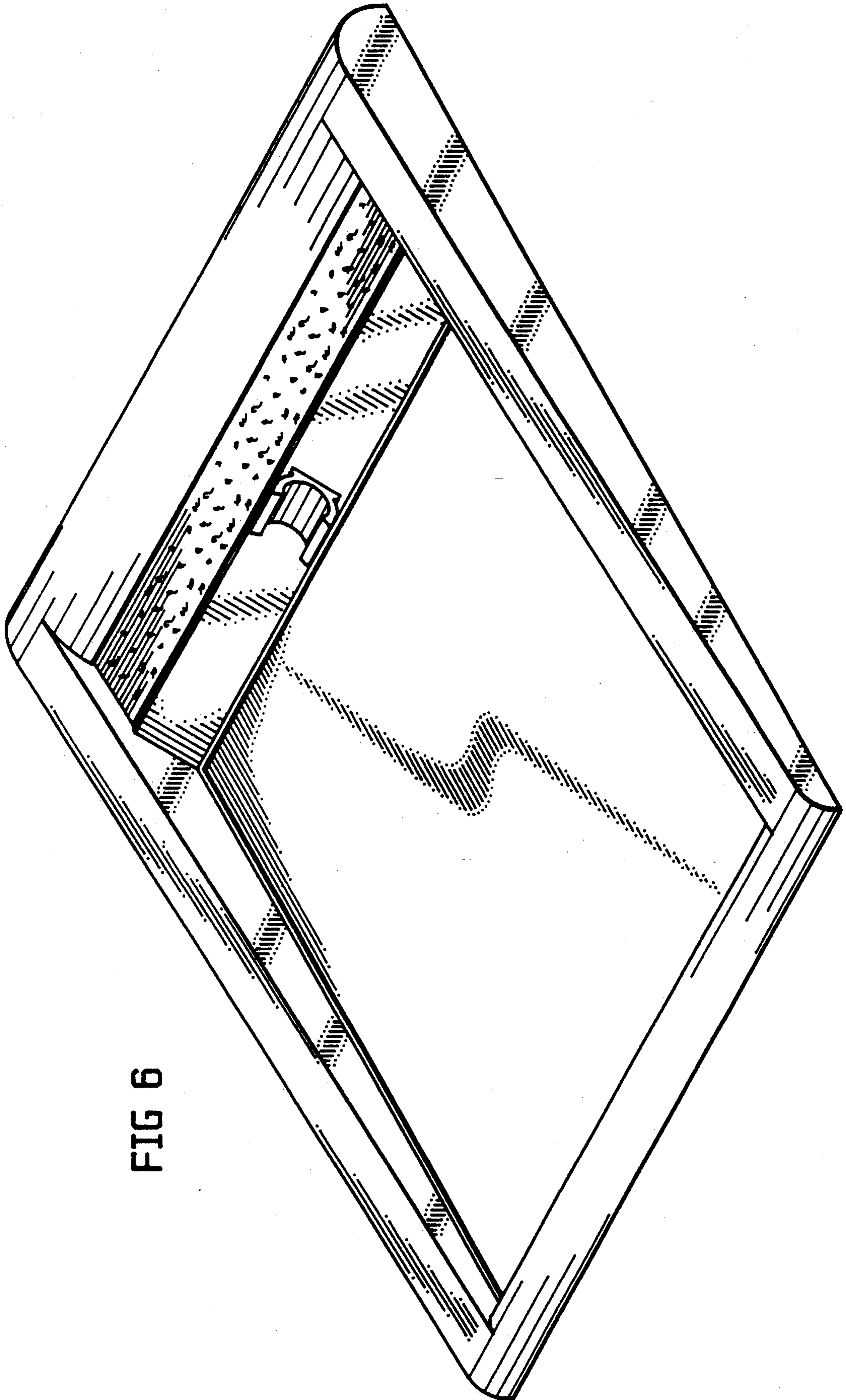


FIG 6