



US00D338493S

United States Patent [19]

[11] Patent Number: **Des. 338,493**

Mead

[45] Date of Patent: **** Aug. 17, 1993**

[54] **TAPE DISPENSER**

[75] Inventor: **Gary G. Mead, Santa Ana, Calif.**

[73] Assignee: **Sunclipse, Inc., Montebello, Calif.**

[**] Term: **14 Years**

[21] Appl. No.: **812,745**

[22] Filed: **Dec. 23, 1991**

[52] U.S. Cl. **D19/69; D19/67**

[58] Field of Search **D19/65, 67, 68, 69,
D19/99, 100; 225/6, 7, 19, 34, 35, 45, 56, 65, 77,
89; 256/327**

[56] **References Cited**

U.S. PATENT DOCUMENTS

D. 188,150	6/1960	Gershen	D19/69
D. 188,519	8/1960	Gershen	D19/69
D. 194,819	3/1963	Lausa	D19/69
D. 194,820	3/1963	Lausa	D19/69
D. 197,496	2/1964	Kusek	D19/69
3,216,634	11/1965	Lausa	D19/69 X
4,817,798	4/1989	Huang	206/411
4,998,655	3/1991	Huang	225/26

Primary Examiner—Nelson C. Holtje
Assistant Examiner—Martha Thompson
Attorney, Agent, or Firm—Richard L. Gausewitz

[57] **CLAIM**

The ornamental design for a tape dispenser, as shown and described.

DESCRIPTION

FIG. 1 is a bottom perspective view of a tape dispenser showing my new design;

FIG. 2 is a top perspective view of the side opposite that show in FIG. 1;

FIG. 3 is a side elevational view thereof;

FIG. 4 is a top plan view thereof;

FIG. 5 is an end elevational view thereof, as seen from the left in FIG. 3;

FIG. 6 is a side elevational view thereof, showing the side not shown in FIG. 3; and,

FIG. 7 is a bottom plan view thereof.

The clip and internal bearing elements depicted by means of broken lines in FIG. 1 have been shown for illustrative purposes only and form no part of the claimed design.

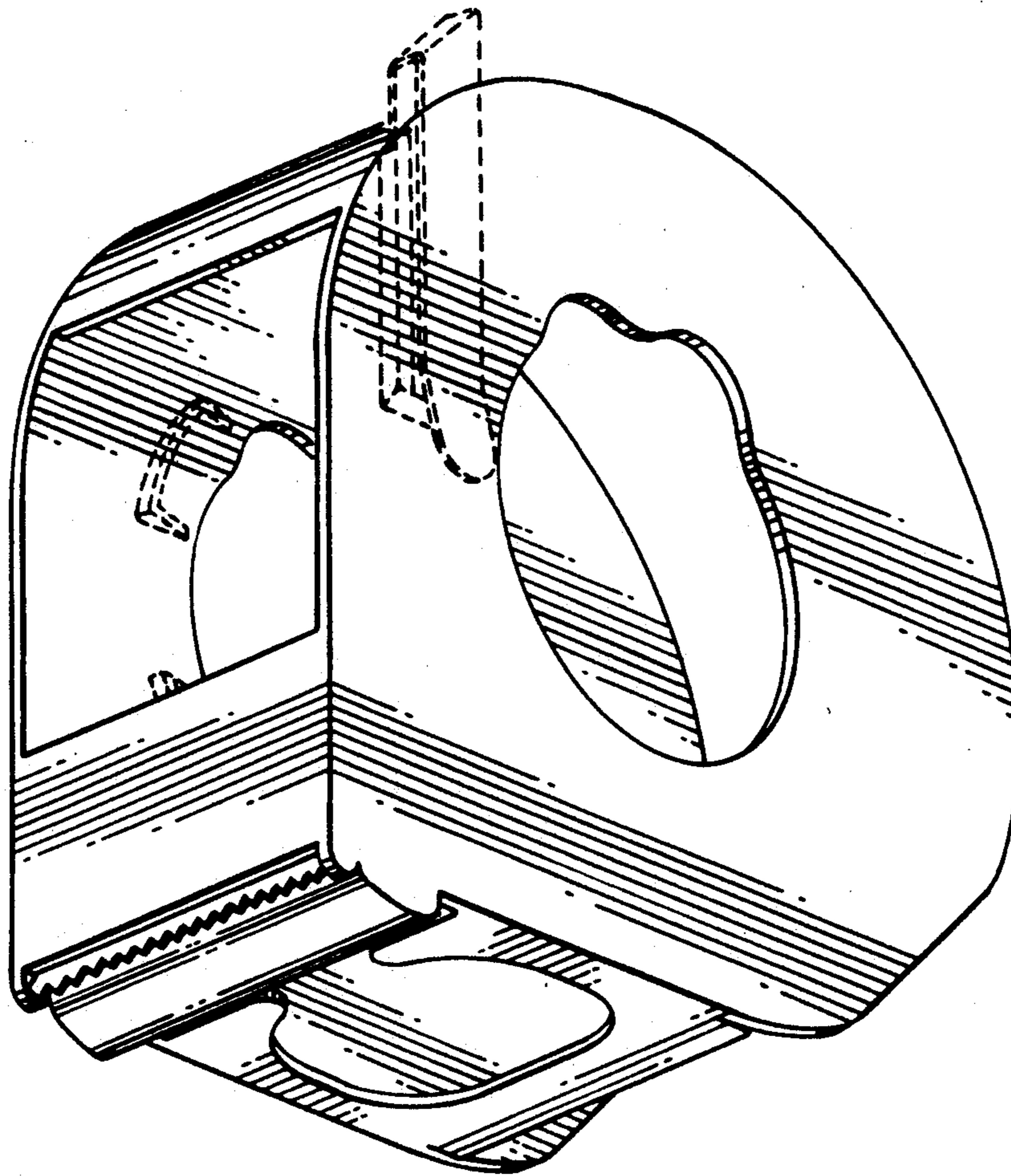


FIG. 1.

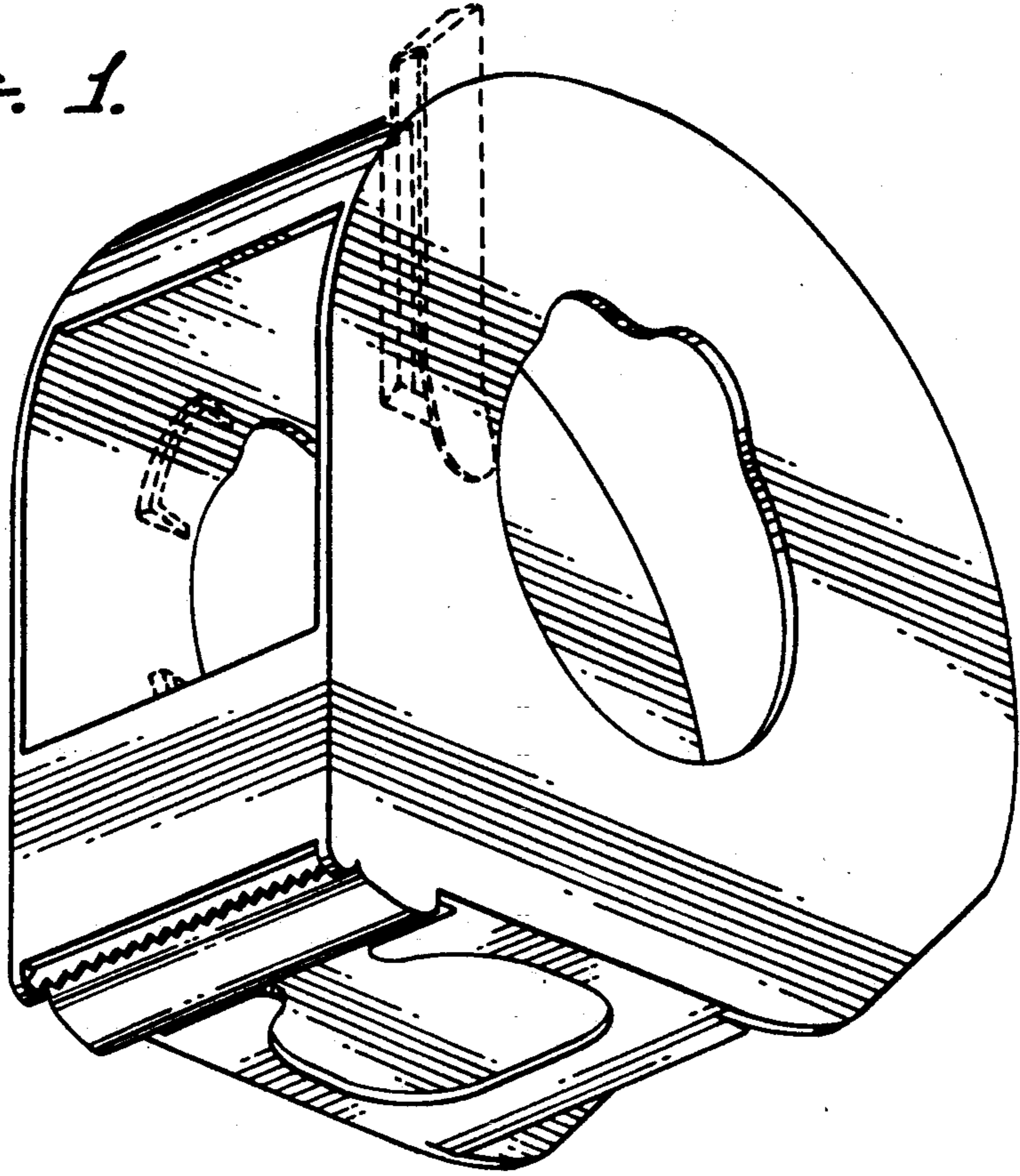
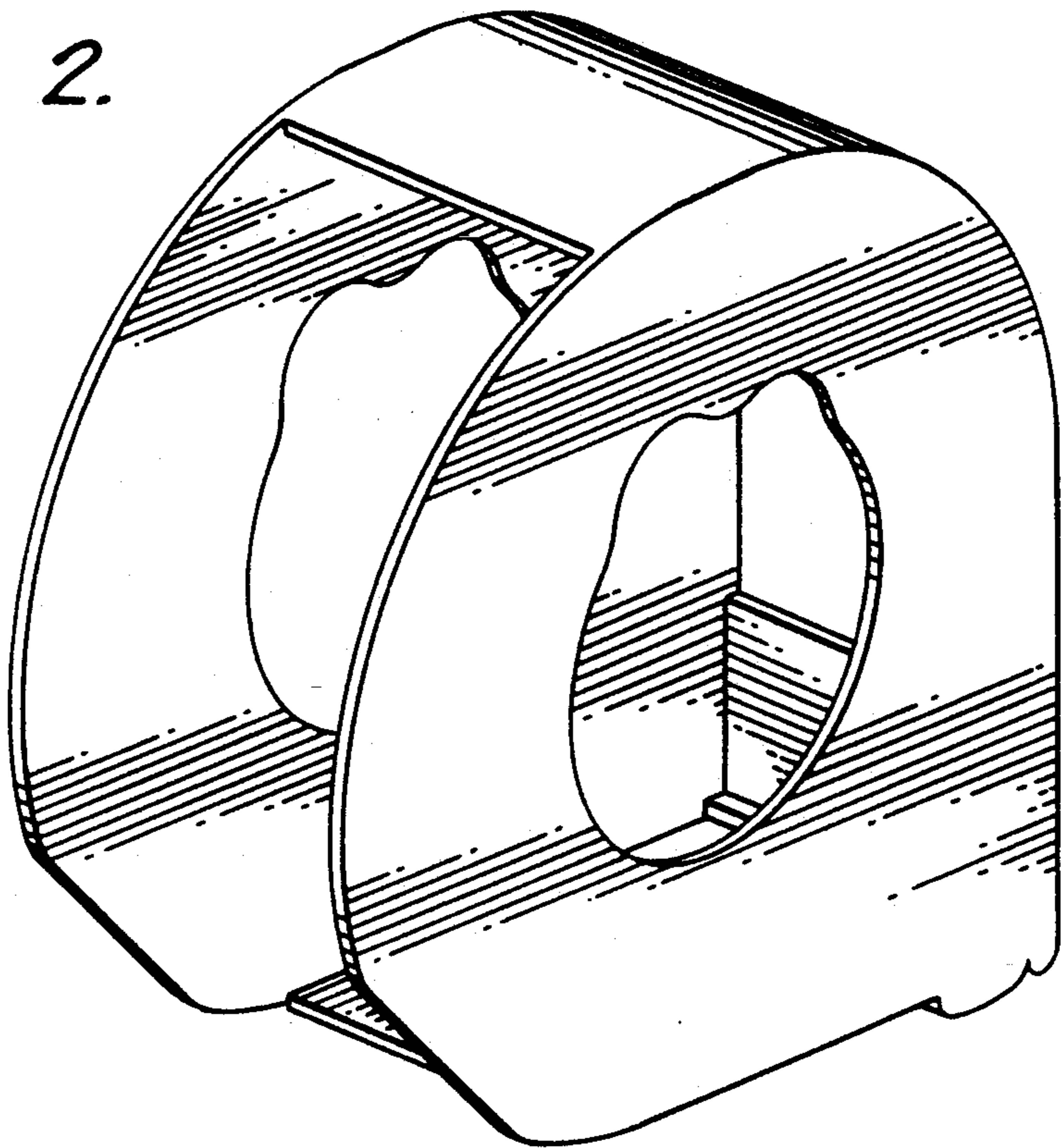


FIG. 2.



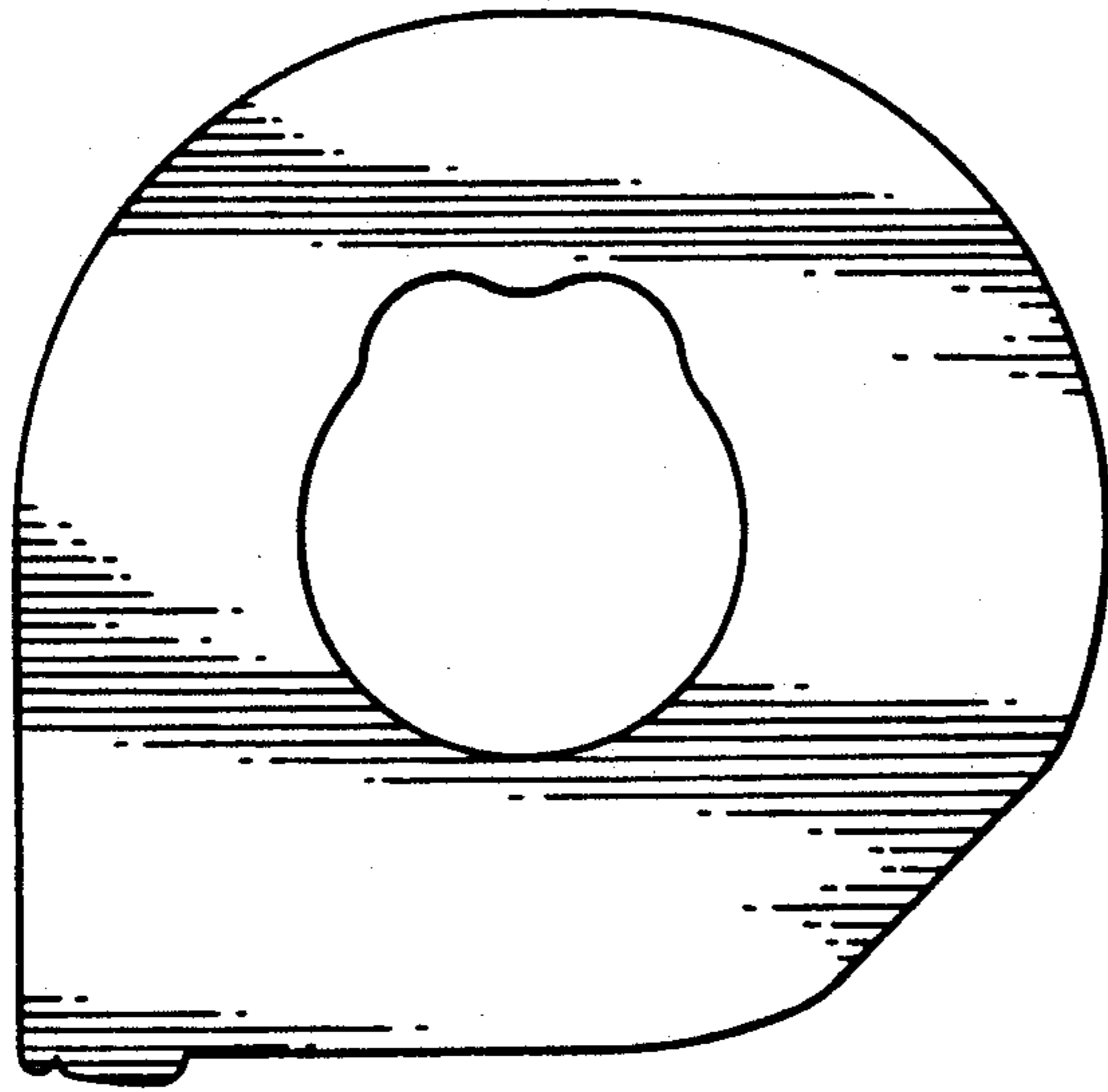


FIG. 3.

FIG. 4.

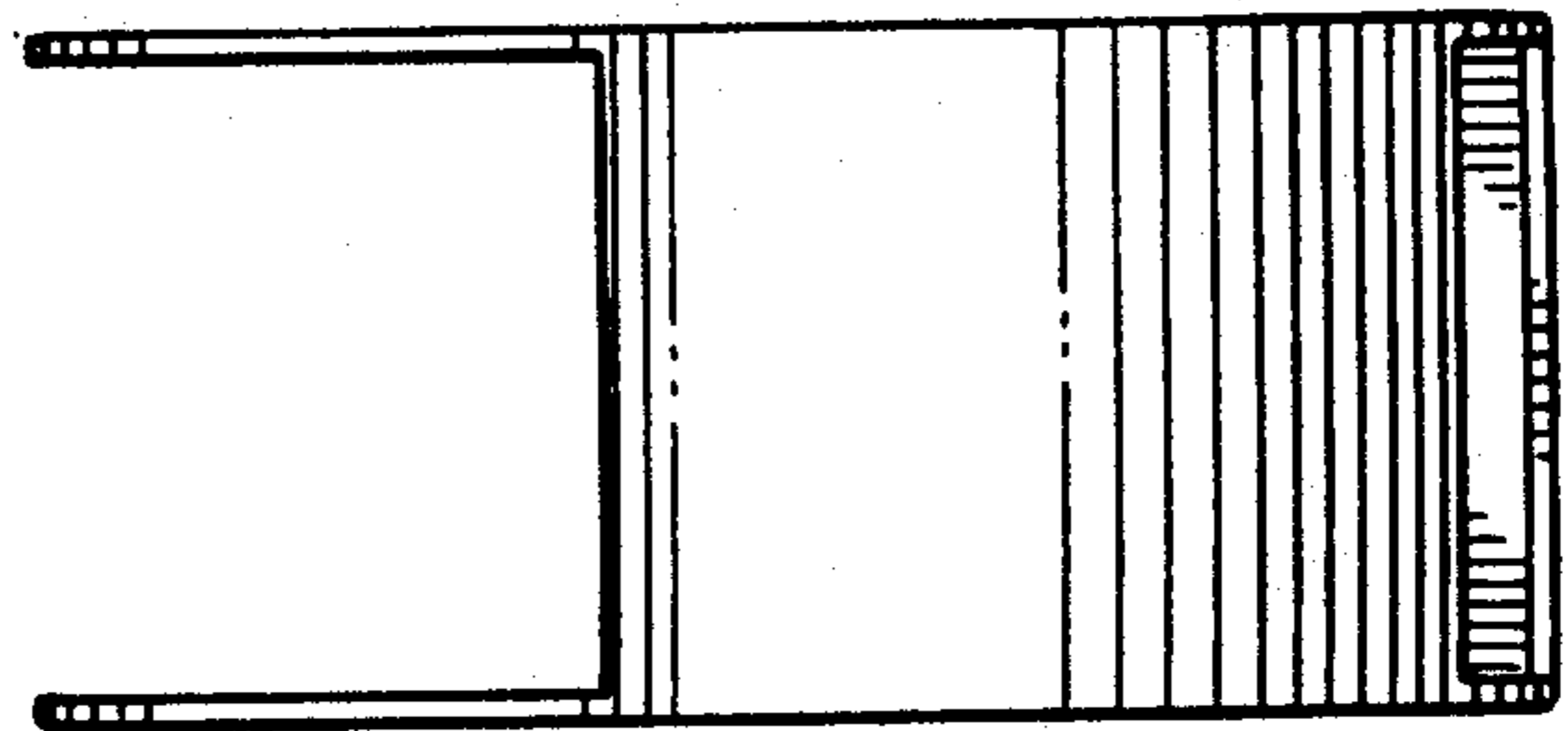


FIG. 5.

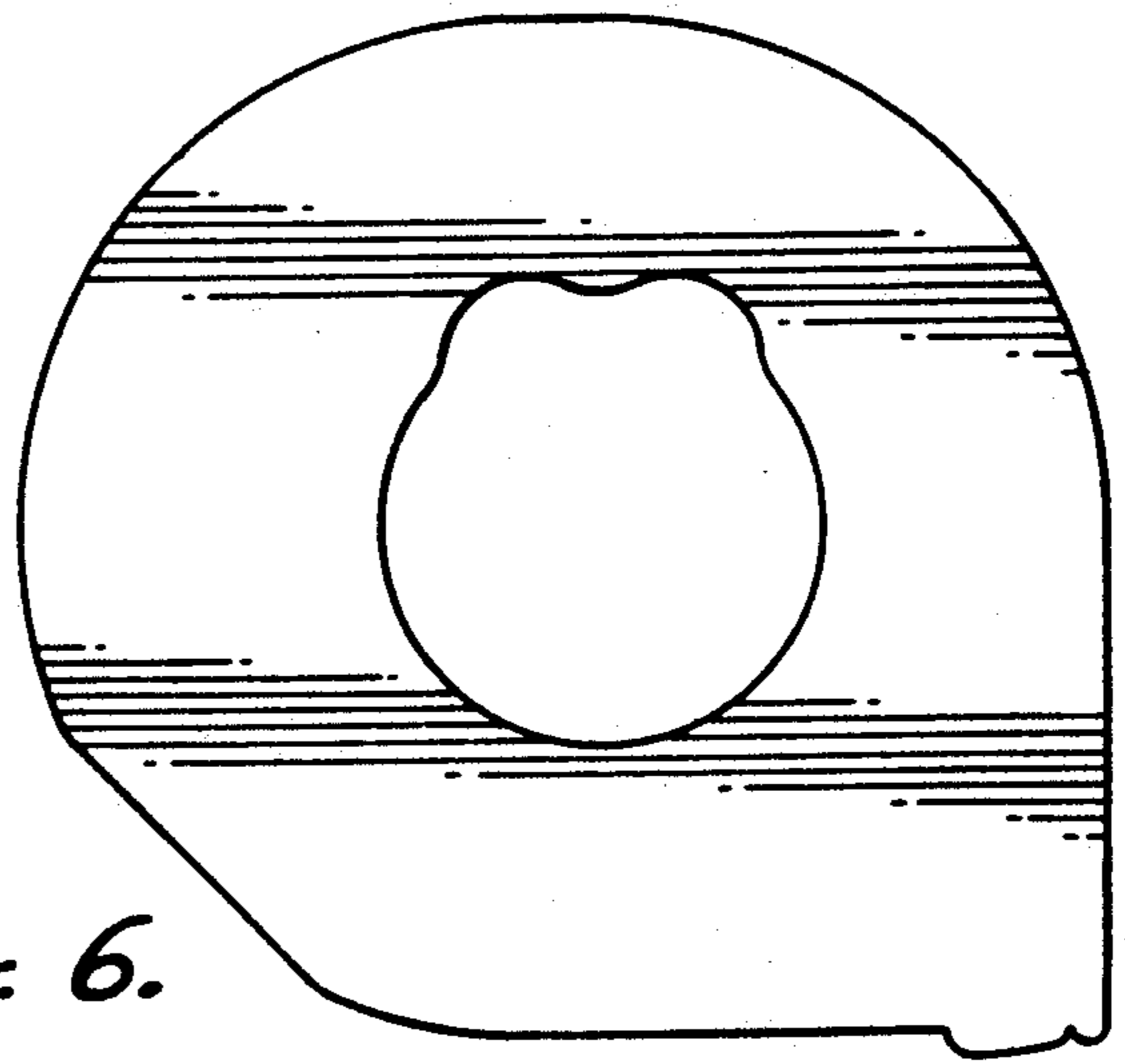
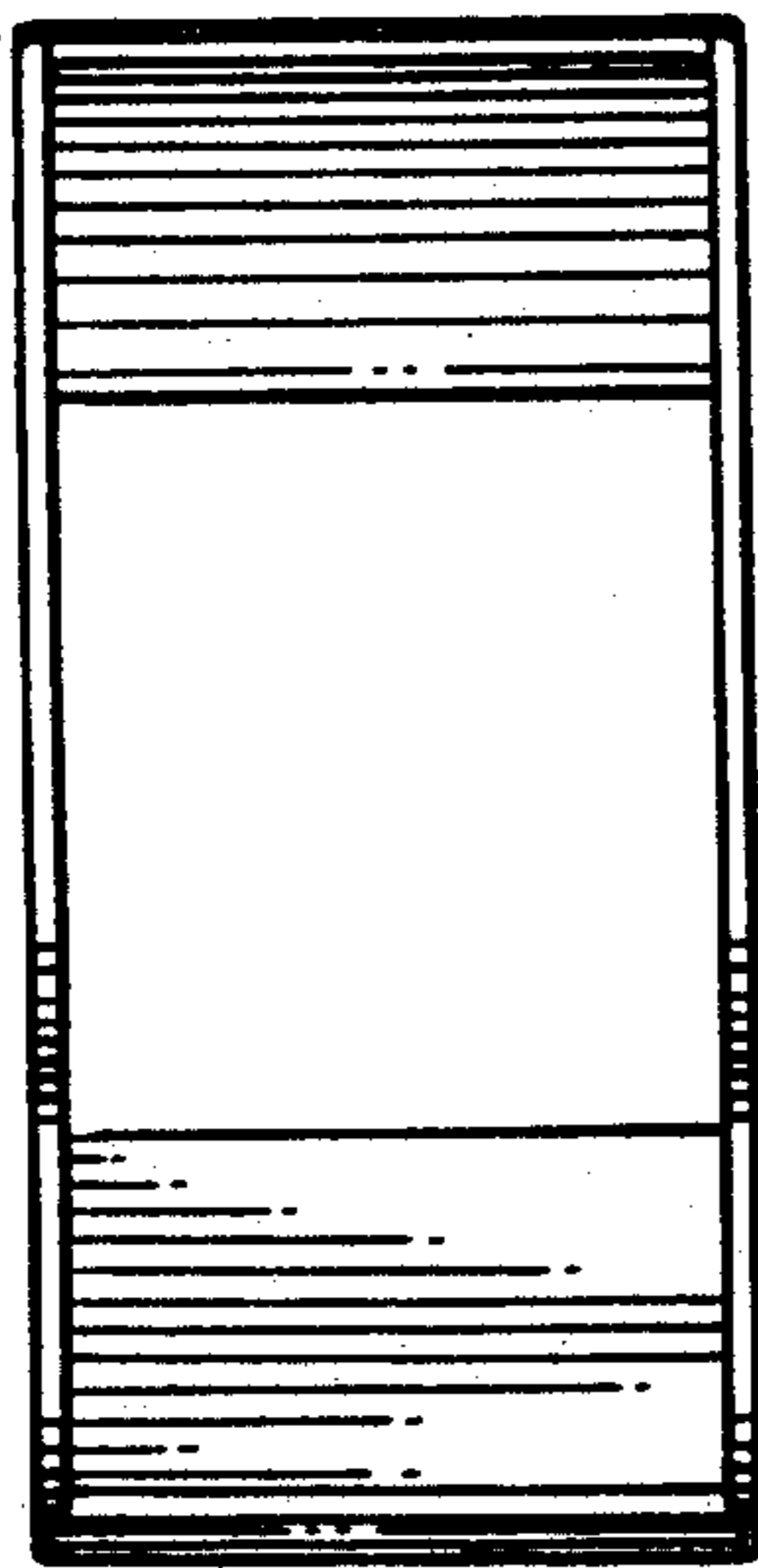


FIG. 6.

FIG. 7.

