



US00D338488S

# United States Patent [19]

[11] Patent Number: **Des. 338,488**

Itoh et al.

[45] Date of Patent: **\*\* Aug. 17, 1993**

[54] **PRINTER**

[75] Inventors: **Kazuo Itoh, Aichi; Yasuyo Isaji; Tomoyuki Okamoto, both of Nagoya, all of Japan**

[73] Assignee: **Brother Kogyo Kabushiki Kaisha, Nagoya, Japan**

[\*\*] Term: **14 Years**

[21] Appl. No.: **786,402**

[22] Filed: **Nov. 1, 1991**

### [30] Foreign Application Priority Data

May 17, 1991 [JP] Japan ..... 3-14437

[52] U.S. Cl. .... **D18/55**

[58] Field of Search ..... **D18/50, 54-55, D18/36-37; 400/613, 613.1-613.4, 691-694, 120; 101/420**

### [56] References Cited

#### U.S. PATENT DOCUMENTS

- D. 293,247 12/1987 Nakade ..... D18/55
- D. 307,764 5/1990 Kojima ..... D18/55
- D. 313,613 1/1991 Nagaya ..... D18/55
- D. 316,563 4/1991 Frenkler et al. .... D18/54

- D. 321,001 10/1991 Umino et al. .... D18/55
- D. 322,451 12/1991 McClelland et al. .... D18/55
- D. 324,539 3/1992 Sawa ..... D18/54

### FOREIGN PATENT DOCUMENTS

5940888 12/1986 Japan ..... D18/55

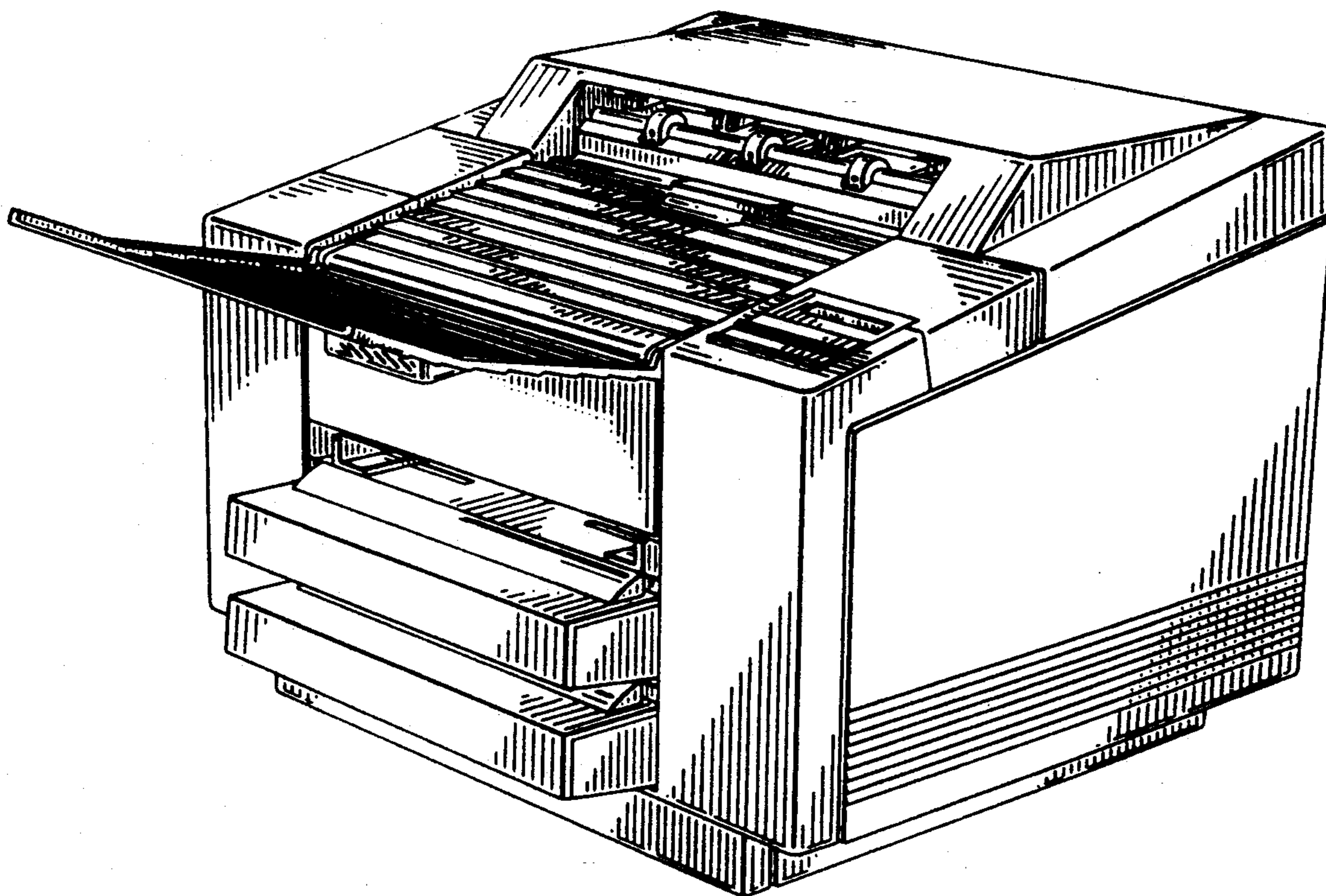
*Primary Examiner*—A. Hugo Word  
*Assistant Examiner*—Cathy Anne MacCormac  
*Attorney, Agent, or Firm*—Oliff & Berridge

### [57] CLAIM

The ornamental design for printer, as shown and described.

### DESCRIPTION

FIG. 1 is a top plan view of a printer, showing our new design;  
 FIG. 2 is a front elevational view thereof;  
 FIG. 3 is a rear elevational view thereof;  
 FIG. 4 is a right side elevational view thereof, the opposite side being a mirror image of the side shown;  
 FIG. 5 is a bottom plan view thereof;  
 FIG. 6 is a front, top and right side perspective view thereof; and,  
 FIG. 7 is a front, top and right side perspective view thereof, showing the paper receiving tray in an operating position.



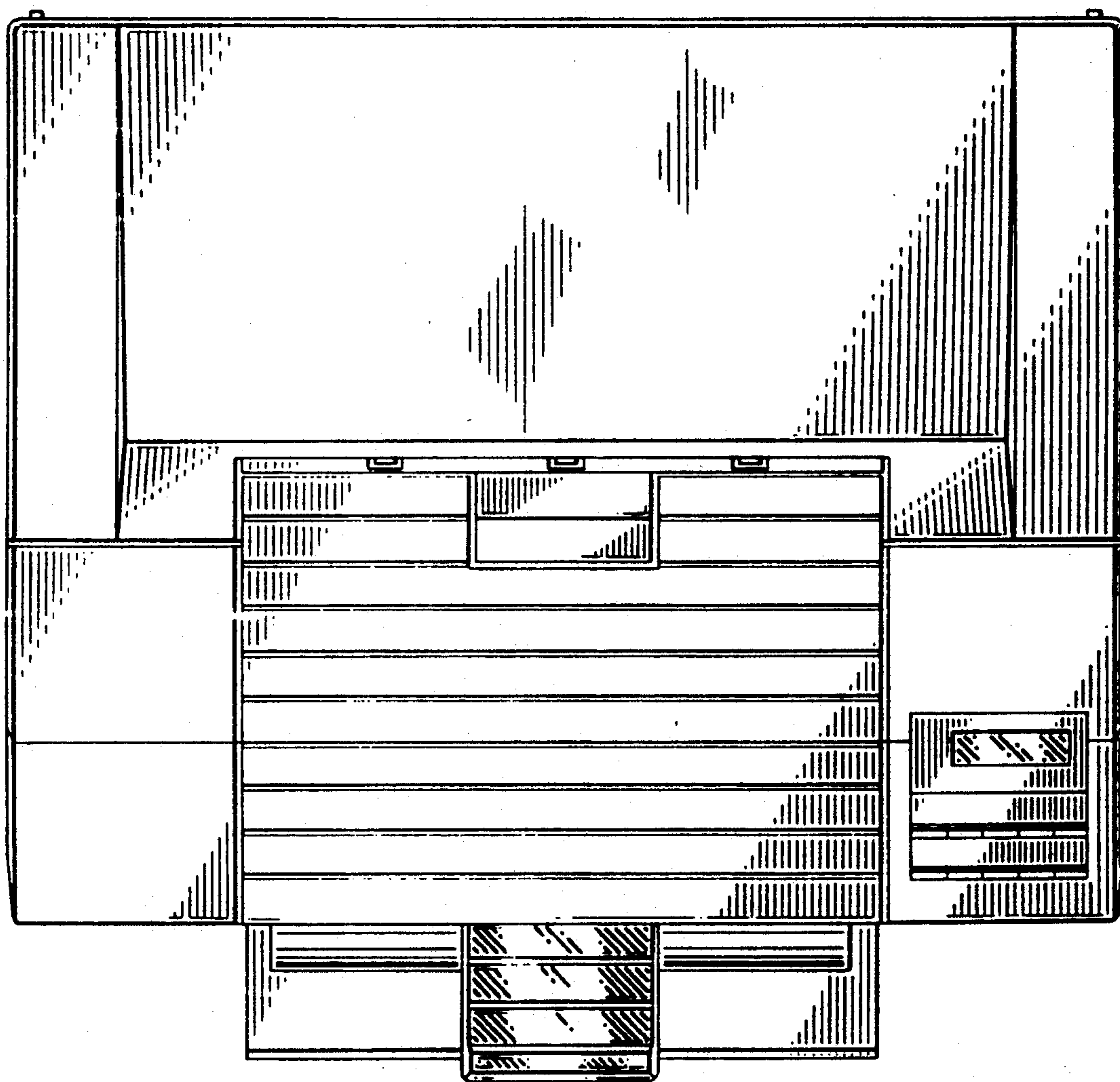


FIG. 1

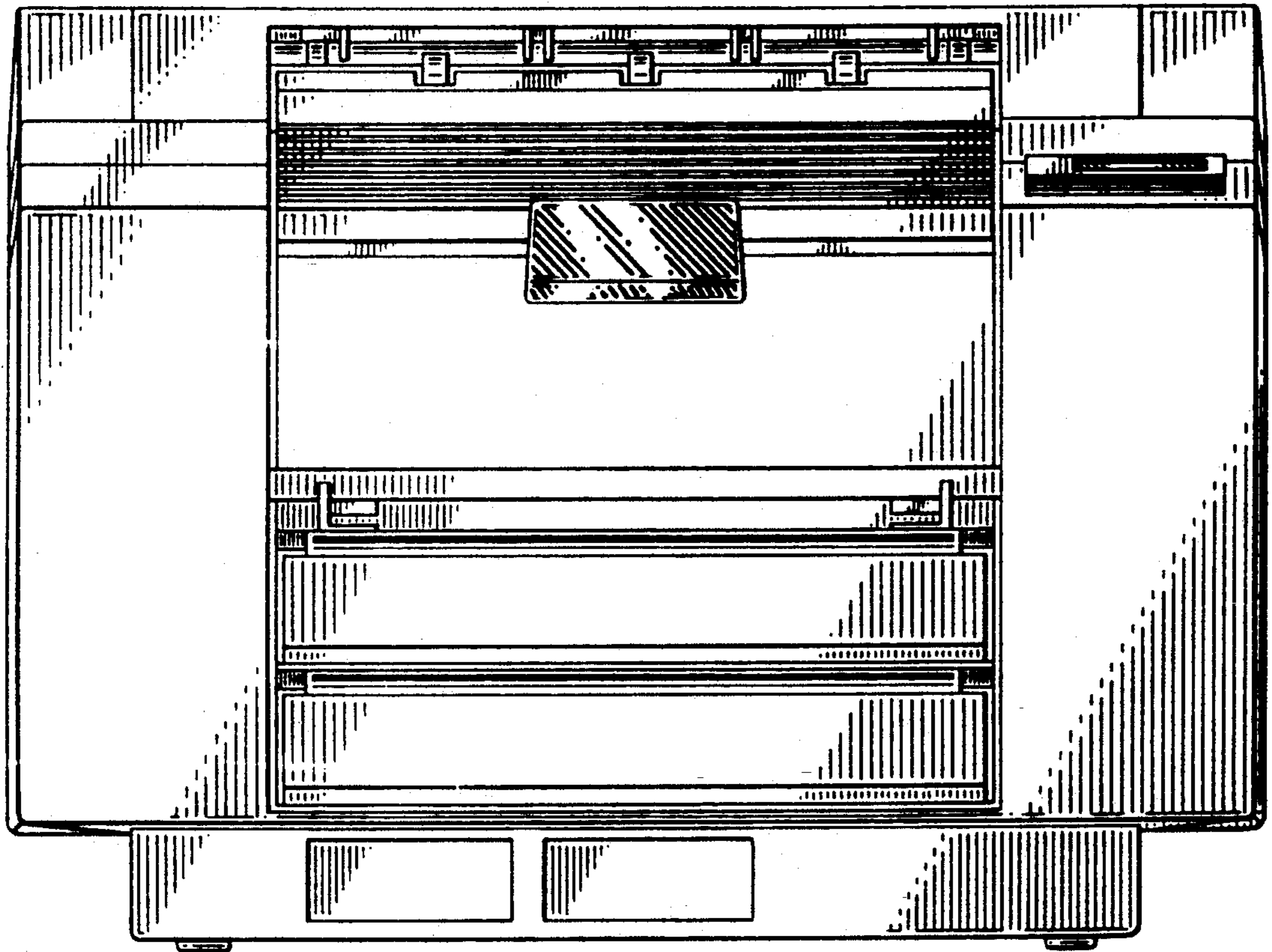


FIG. 2

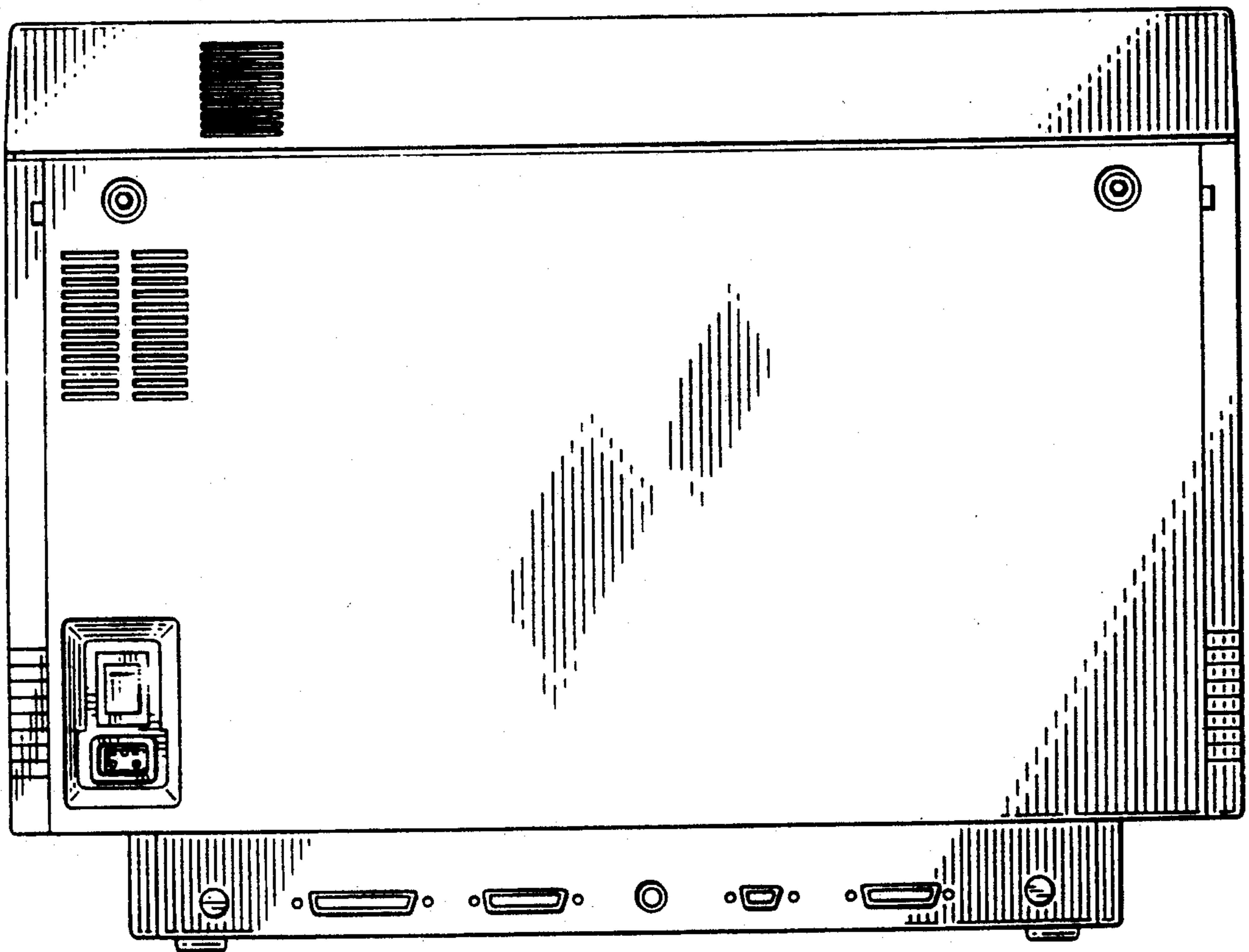


FIG. 3

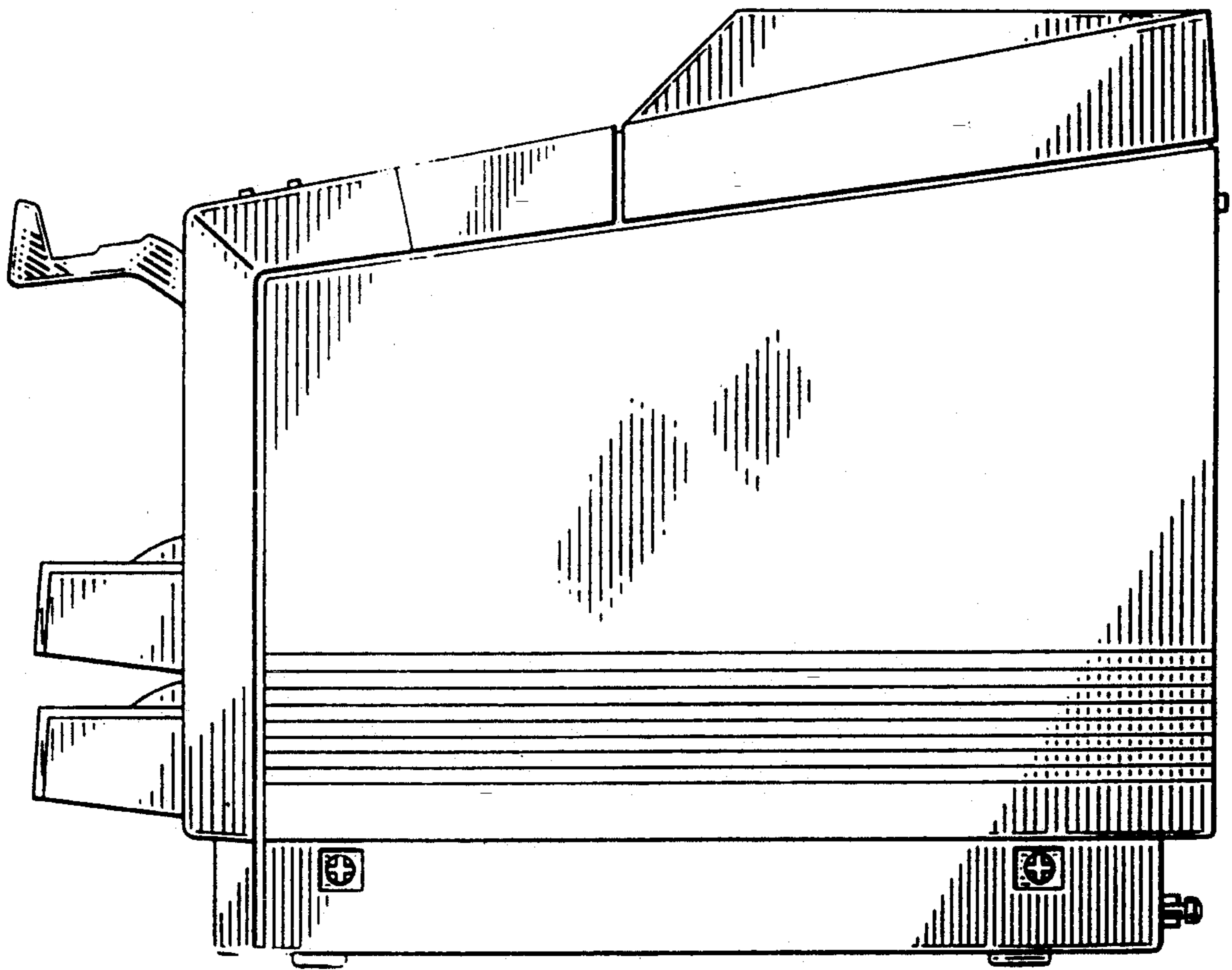


FIG. 4

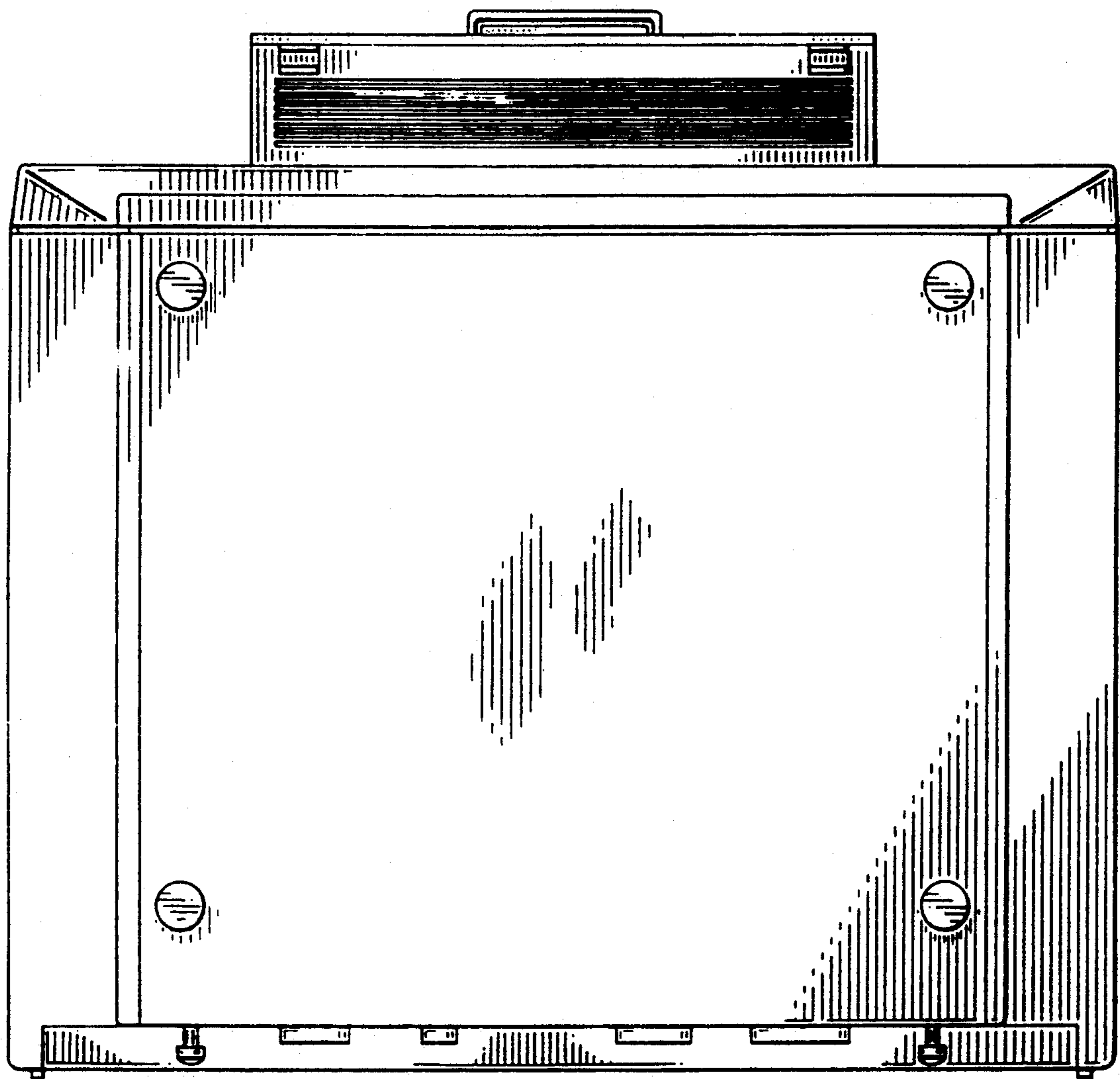


FIG. 5

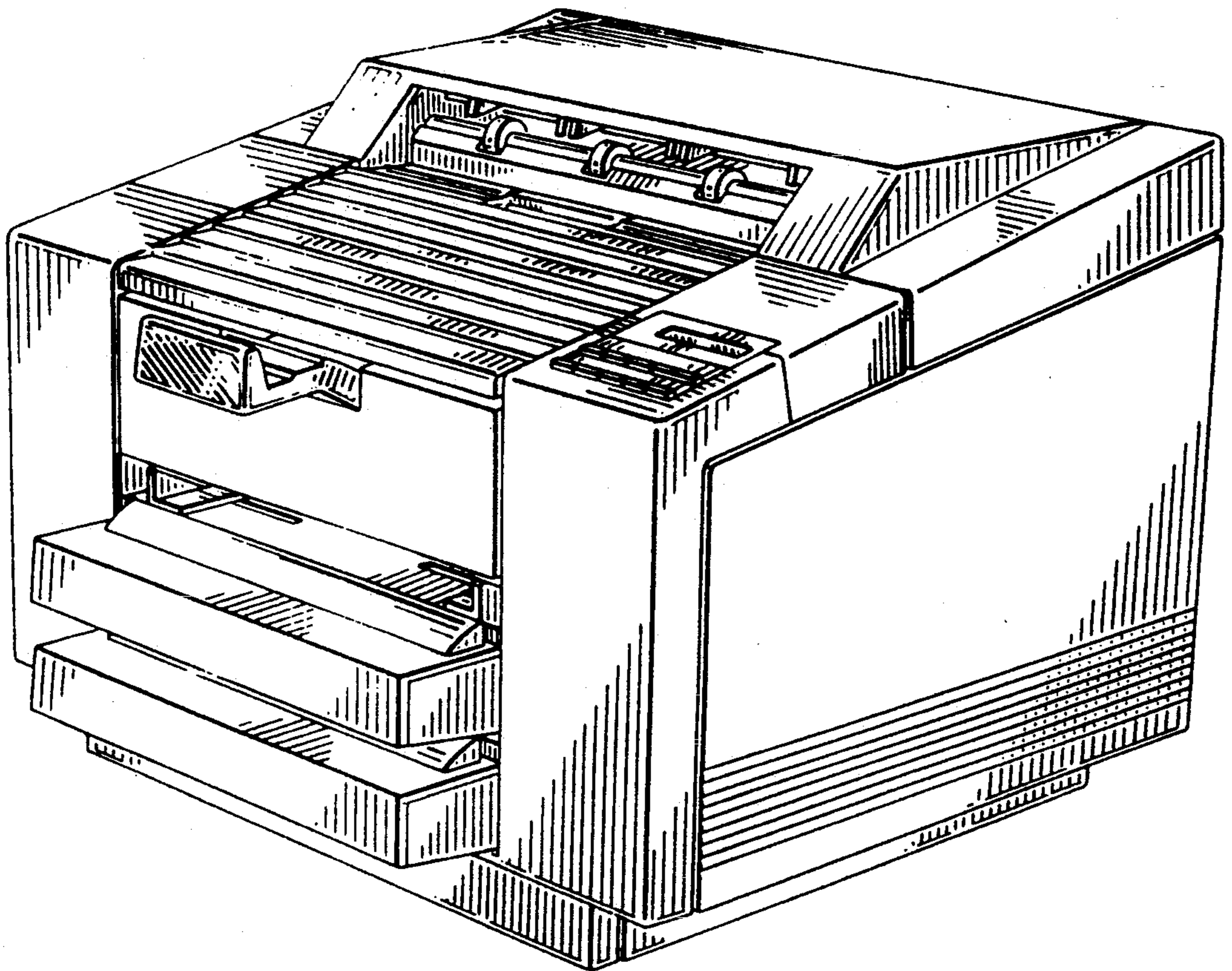


FIG. 6

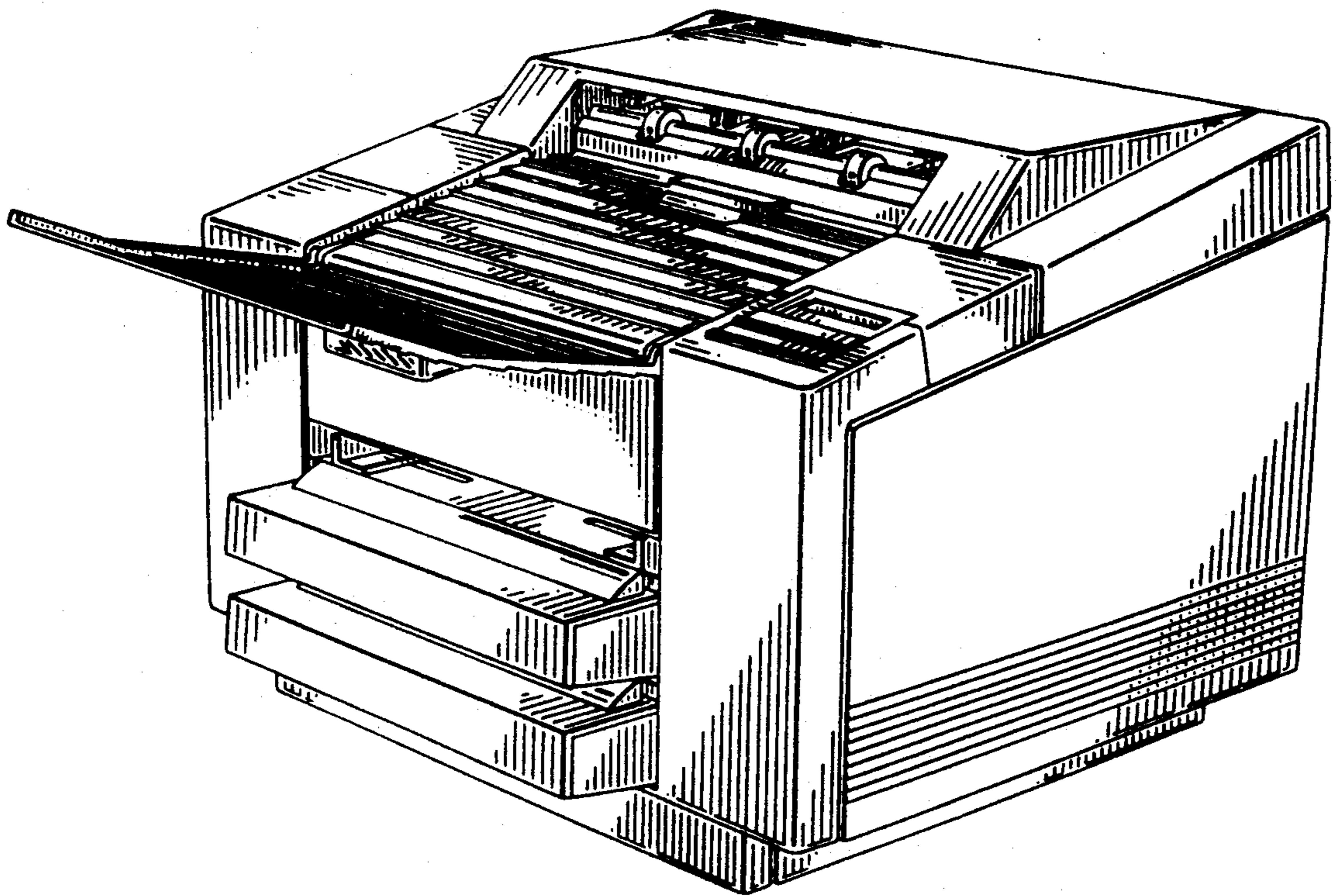


FIG. 7