



US00D338483S

United States Patent [19]

[11] Patent Number: **Des. 338,483**

Kurosaki

[45] Date of Patent: **** Aug. 17, 1993**

[54] **DOUBLE FOOT DRUM PEDAL**

[75] Inventor: **Makoto Kurosaki, Hamamatsu, Japan**

[73] Assignee: **Yamaha Corporation, Shizuoka, Japan**

[**] Term: **14 Years**

[21] Appl. No.: **780,874**

[22] Filed: **Oct. 18, 1991**

[30] **Foreign Application Priority Data**

Apr. 30, 1991 [JP] Japan 3-12731

[52] U.S. Cl. **D17/22; D17/99**

[58] Field of Search **D17/22, 99; 84/411 R, 84/422.1, 422.2**

[56] **References Cited**

U.S. PATENT DOCUMENTS

D. 279,576 7/1985 Norris D17/22

1,369,233	2/1921	Fitzgerald et al.	84/422.2
2,845,830	8/1958	Haviland	84/422.1
3,988,957	11/1976	Escamilla	84/422.1
4,945,803	8/1990	Norwood	84/422.1

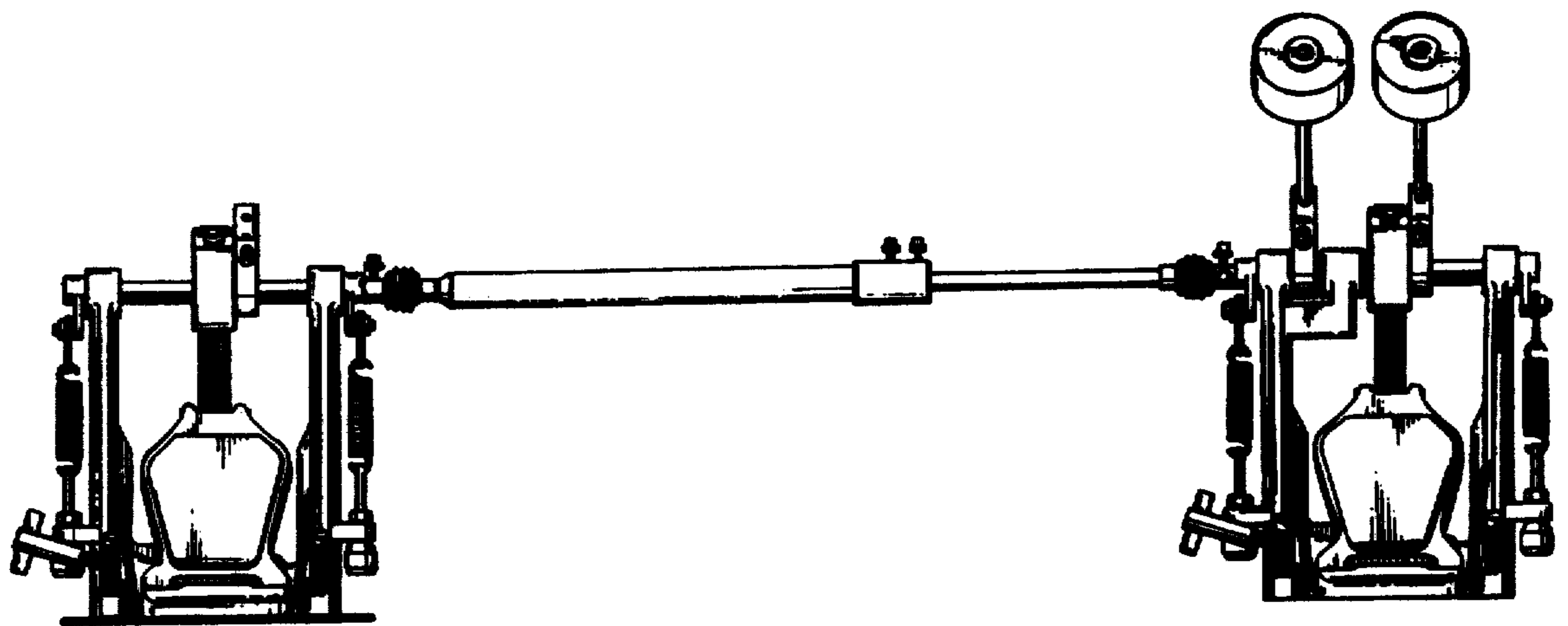
Primary Examiner—Bernard Ansher
Assistant Examiner—Adir Aronovich
Attorney, Agent, or Firm—Weingarten, Schurgin, Gagnebin & Hayes

[57] **CLAIM**

The ornamental design for double foot drum pedal, as shown.

DESCRIPTION

FIG. 1 is a front view of double foot drum pedal showing my new design;
FIG. 2 is a top plan view thereof;
FIG. 3 is a right-side view thereof;
FIG. 4 is a left-side view thereof;
FIG. 5 is a rear view thereof; and,
FIG. 6 is a bottom plan view thereof.



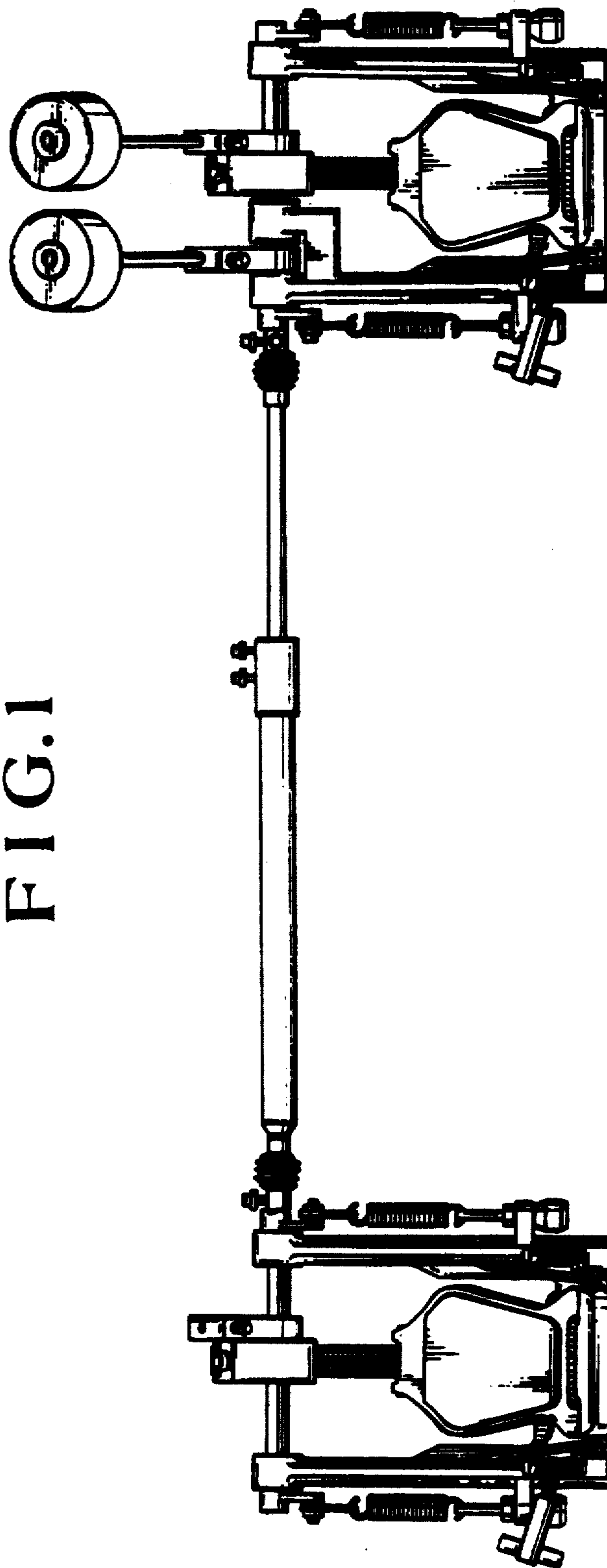


FIG. 1

FIG. 2

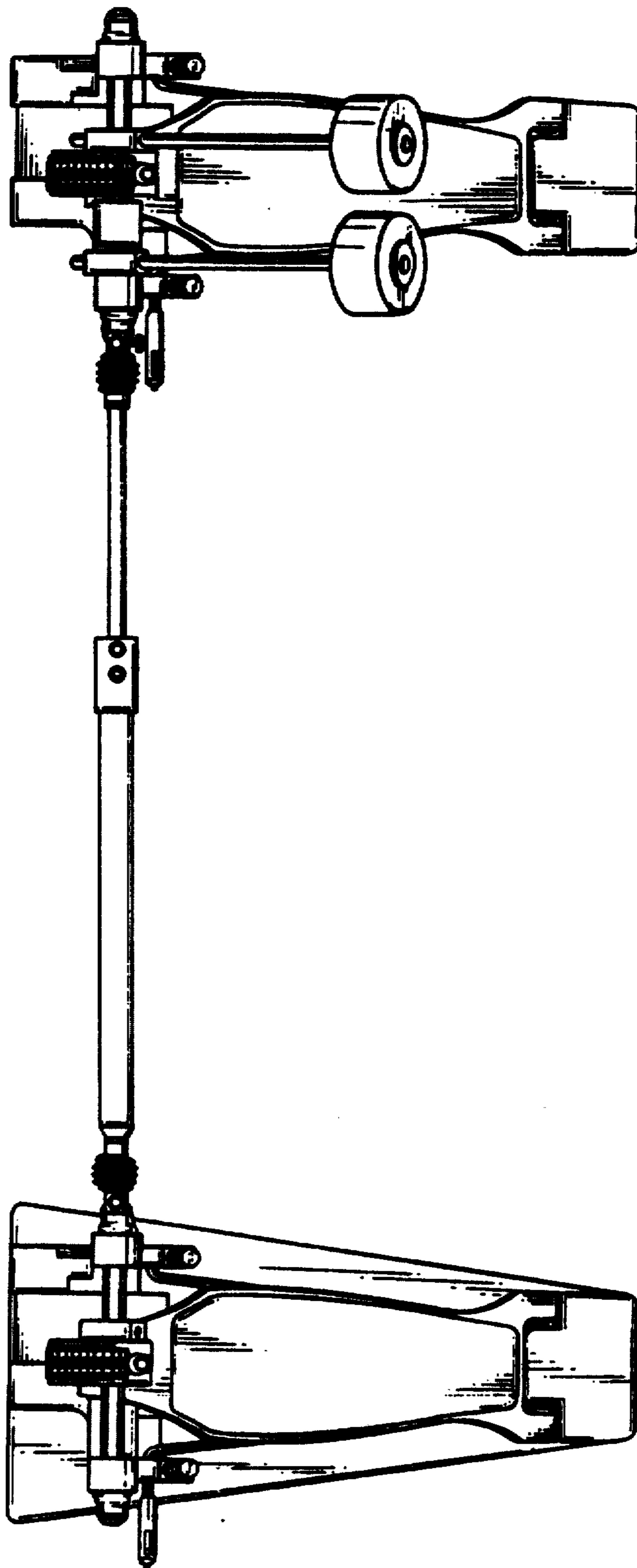


FIG.3

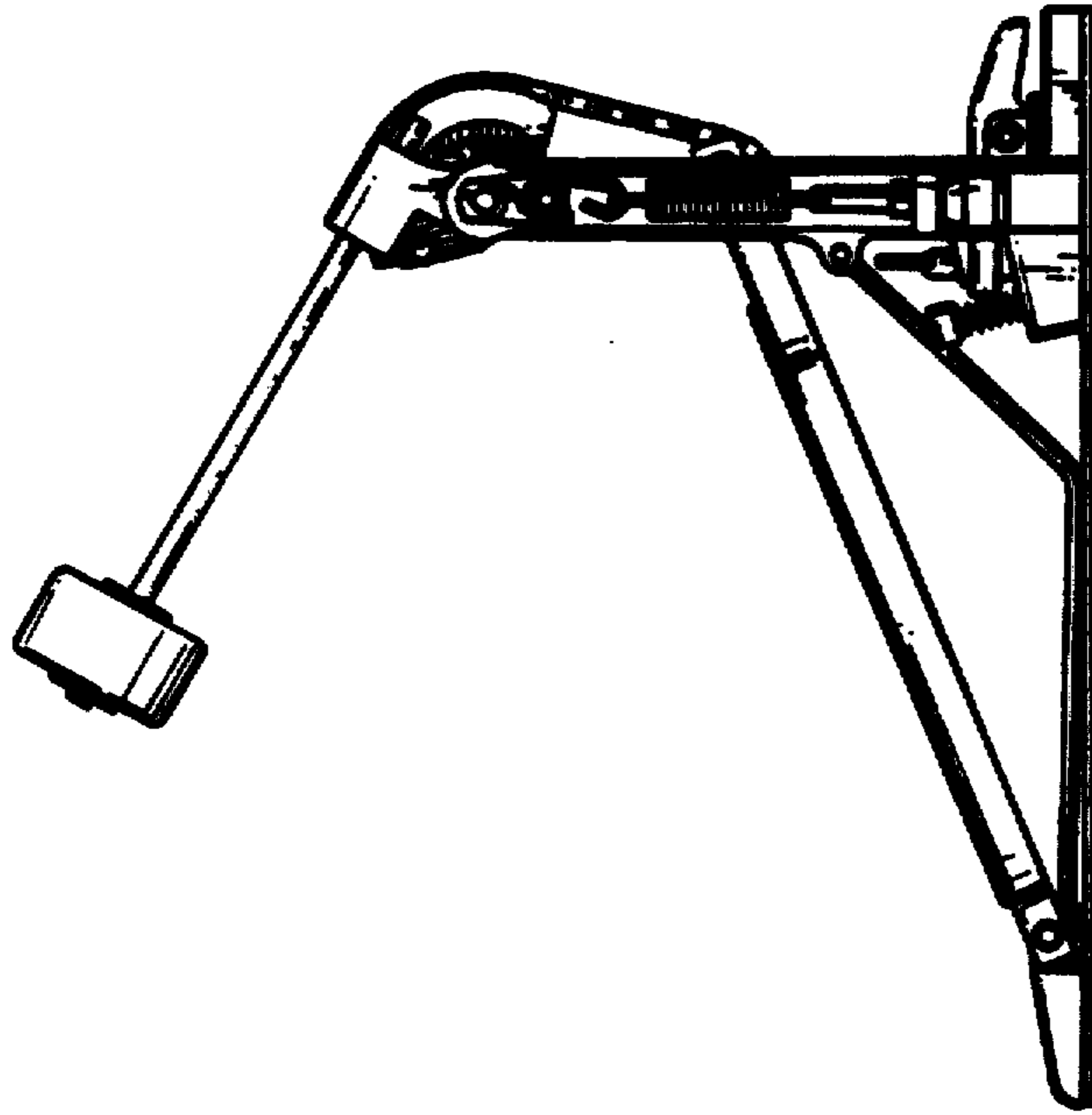


FIG.4

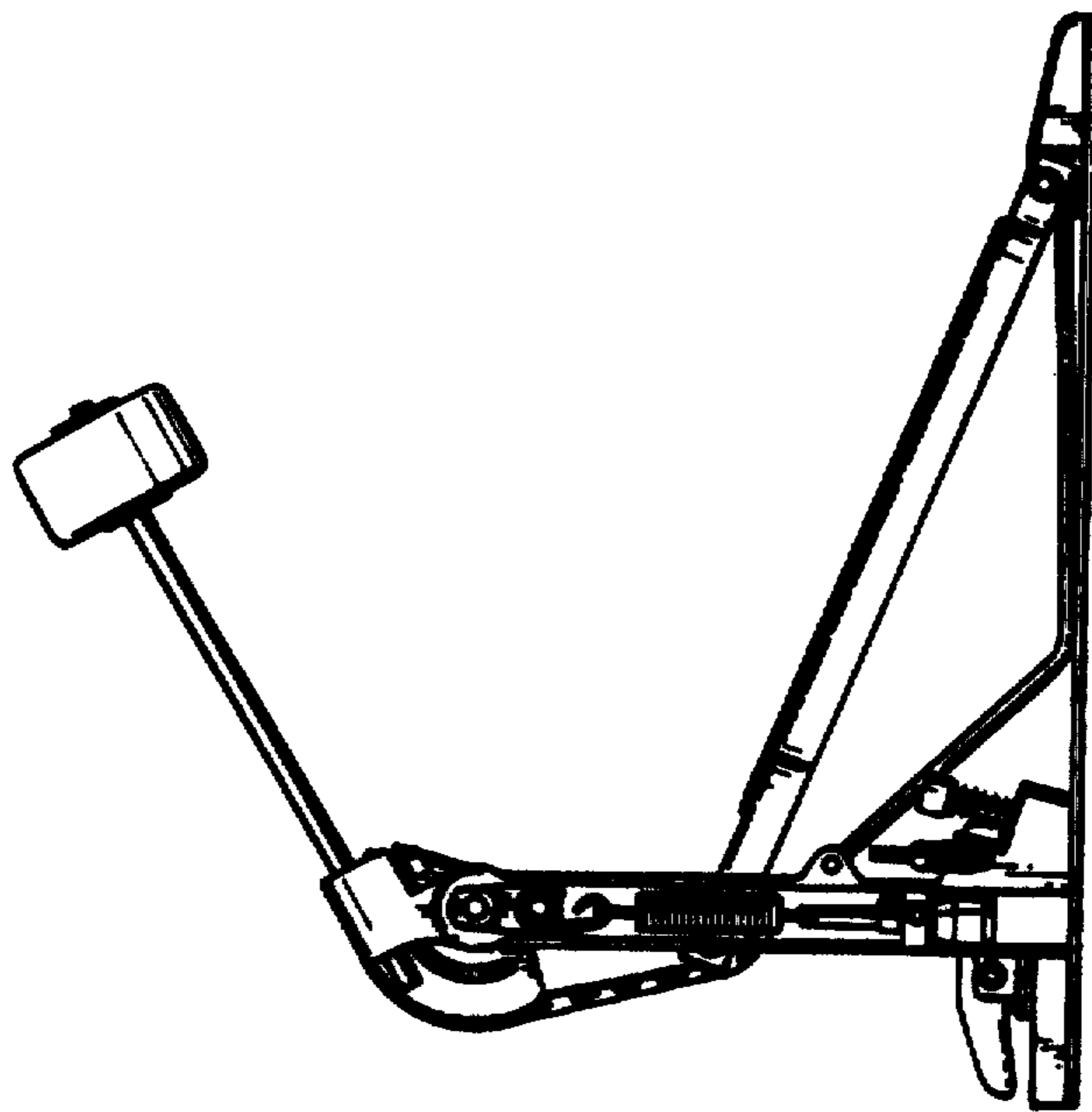


FIG. 5

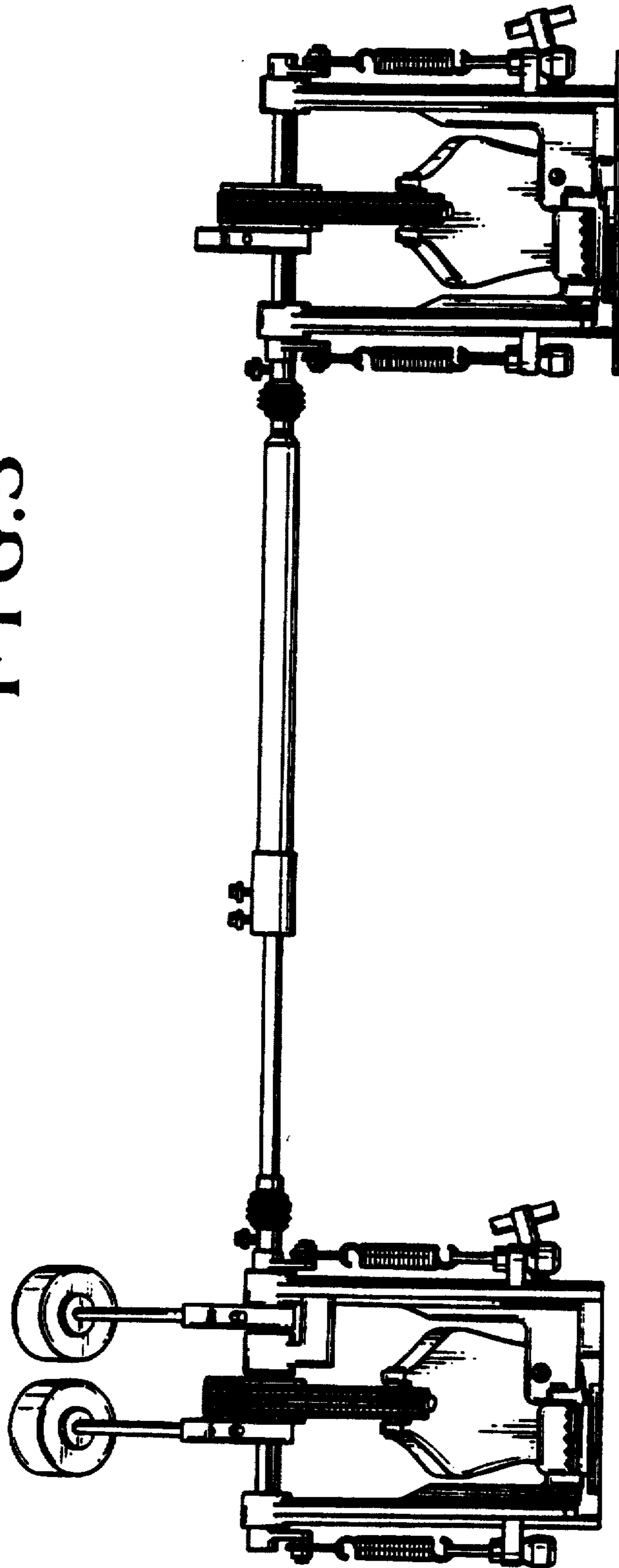
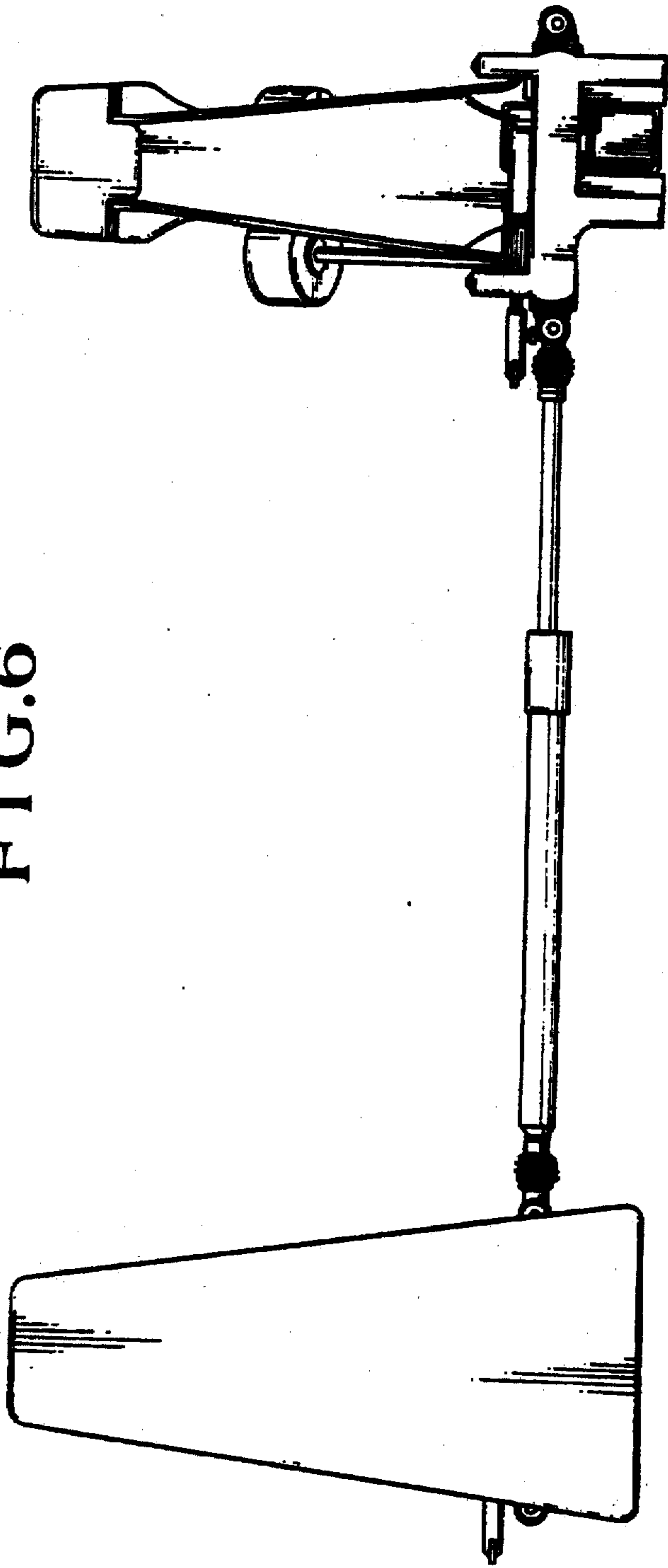


FIG.6



UNITED STATES PATENT AND TRADEMARK OFFICE
CERTIFICATE OF CORRECTION

PATENT NO. : Des. 338,483
DATED : August 17, 1993
INVENTOR(S) : Makoto Kurosaki

It is certified that error appears in the above-identified patent and that said Letters Patent is hereby corrected as shown below:

Title page, under the heading, "Description", "Fig. 1 is a front view of double" should read --Fig. 1 is a front view of a double--.

Title page, in the line identified as [75] Inventor:, "Hamamatsu" should read --Hamamatsu-shi--.

Title page, in the line identified as [73] Assignee:, "Shizuoka" should read --Shizuoka-ken--.

Signed and Sealed this
Sixteenth Day of August, 1994

Attest:



BRUCE LEHMAN

Attesting Officer

Commissioner of Patents and Trademarks