



US00D338479S

United States Patent [19]

[11] Patent Number: **Des. 338,479**

Takahashi

[45] Date of Patent: **** Aug. 17, 1993**

[54] **LENS FOR SINGLE-LENS REFLEX CAMERA**

[75] Inventor: **Akio Takahashi, Tokyo, Japan**

[73] Assignee: **Asahi Kogaku Kogyo K.K., Tokyo, Japan**

[**] Term: **14 Years**

[21] Appl. No.: **778,724**

[22] Filed: **Oct. 18, 1991**

[30] **Foreign Application Priority Data**

Apr. 18, 1991 [JP] Japan 3-11327

[52] U.S. Cl. **D16/134**

[58] Field of Search **D16/134; 354/286, 288 R, 354/195.1, 195.12; 359/819, 811, 815, 826, 827, 704, 823, 703**

[56] **References Cited**

U.S. PATENT DOCUMENTS

- D. 303,976 10/1989 Kimura et al. D16/134
- D. 331,589 12/1992 Yamamoto D16/134
- 4,626,077 12/1986 Yamamoto 359/703 X
- 4,923,281 5/1990 Krichever et al. 359/826

OTHER PUBLICATIONS

Popular Photography, Jan. 1989, p. 104, Sigma AF Wide Lens.

Primary Examiner—A. Hugo Word
Assistant Examiner—Doris V. Coles
Attorney, Agent, or Firm—Sughrue, Mion, Zinn, Macpeak & Seas

[57] **CLAIM**

The ornamental design for a lens for single-lens reflex camera, as shown and described.

DESCRIPTION

FIG. 1 is an end view of one end of a camera lens showing my new design;
FIG. 2 is a side elevational view of a first side thereof;
FIG. 3 is a side elevational view of a second side thereof;
FIG. 4 is a side elevational view of a third side thereof opposite said second side;
FIG. 5 is a side elevational view of a fourth side thereof opposite said first side; and,
FIG. 6 is an end view of the opposite end thereof.

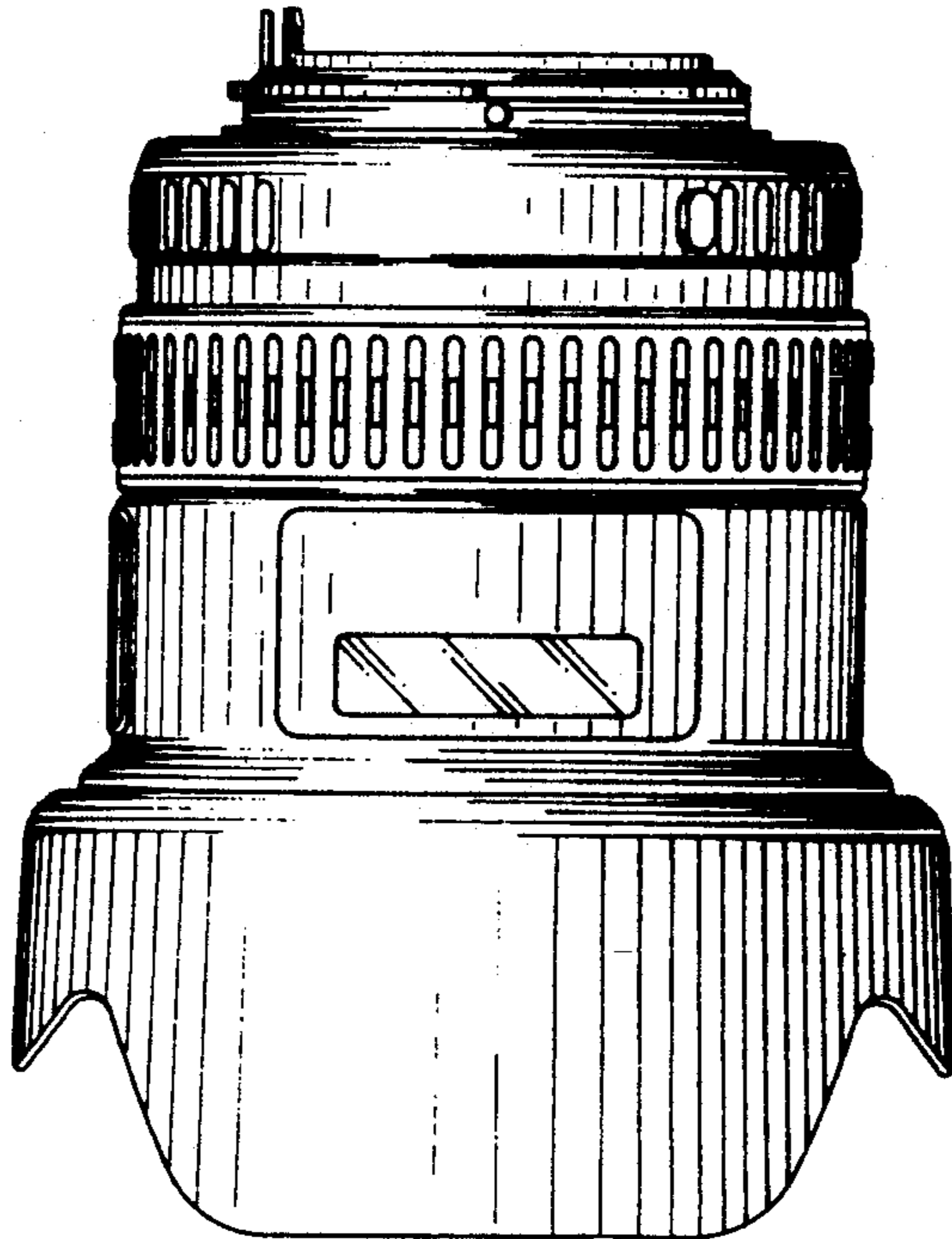


FIG. 1

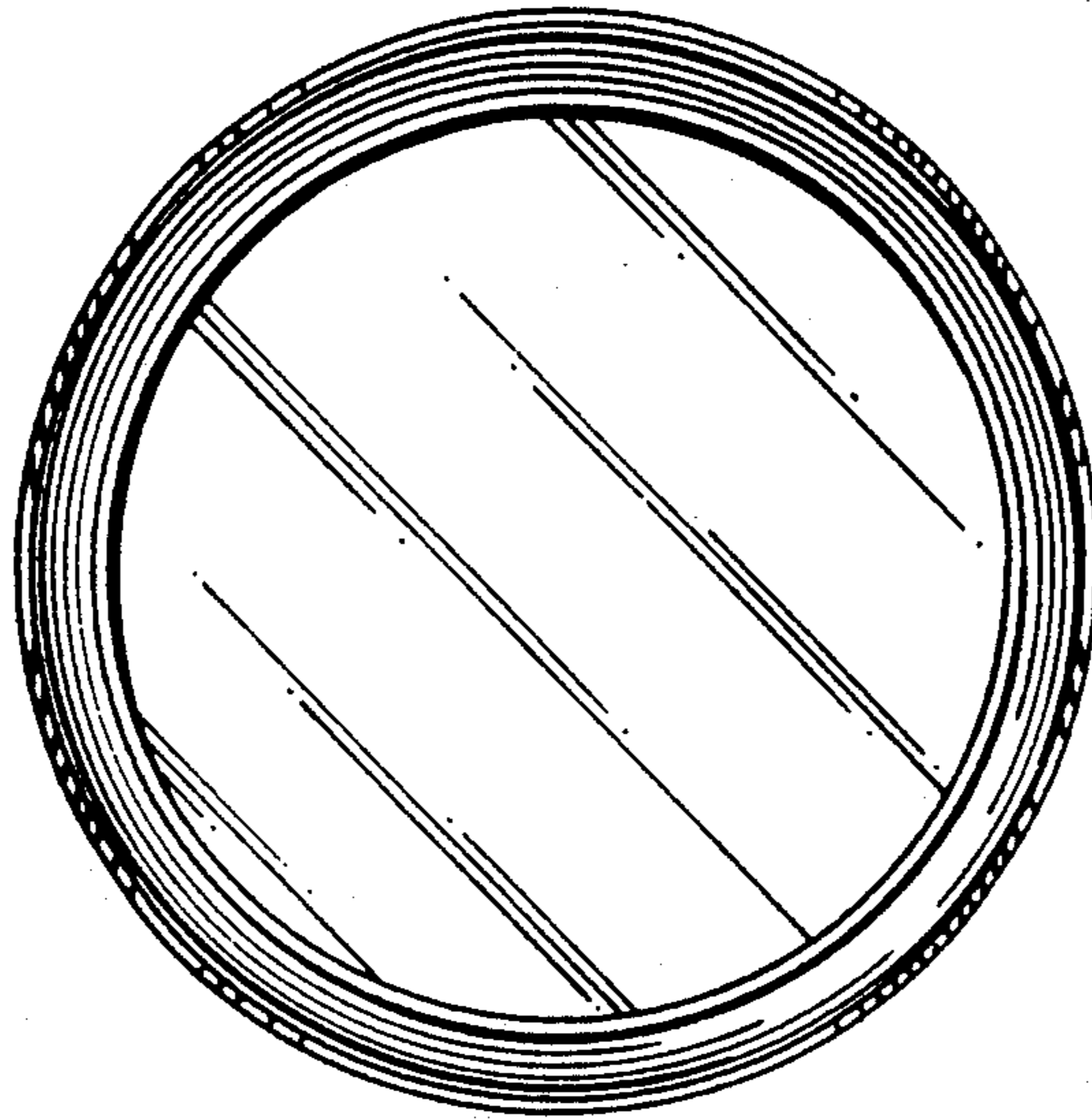


FIG. 2

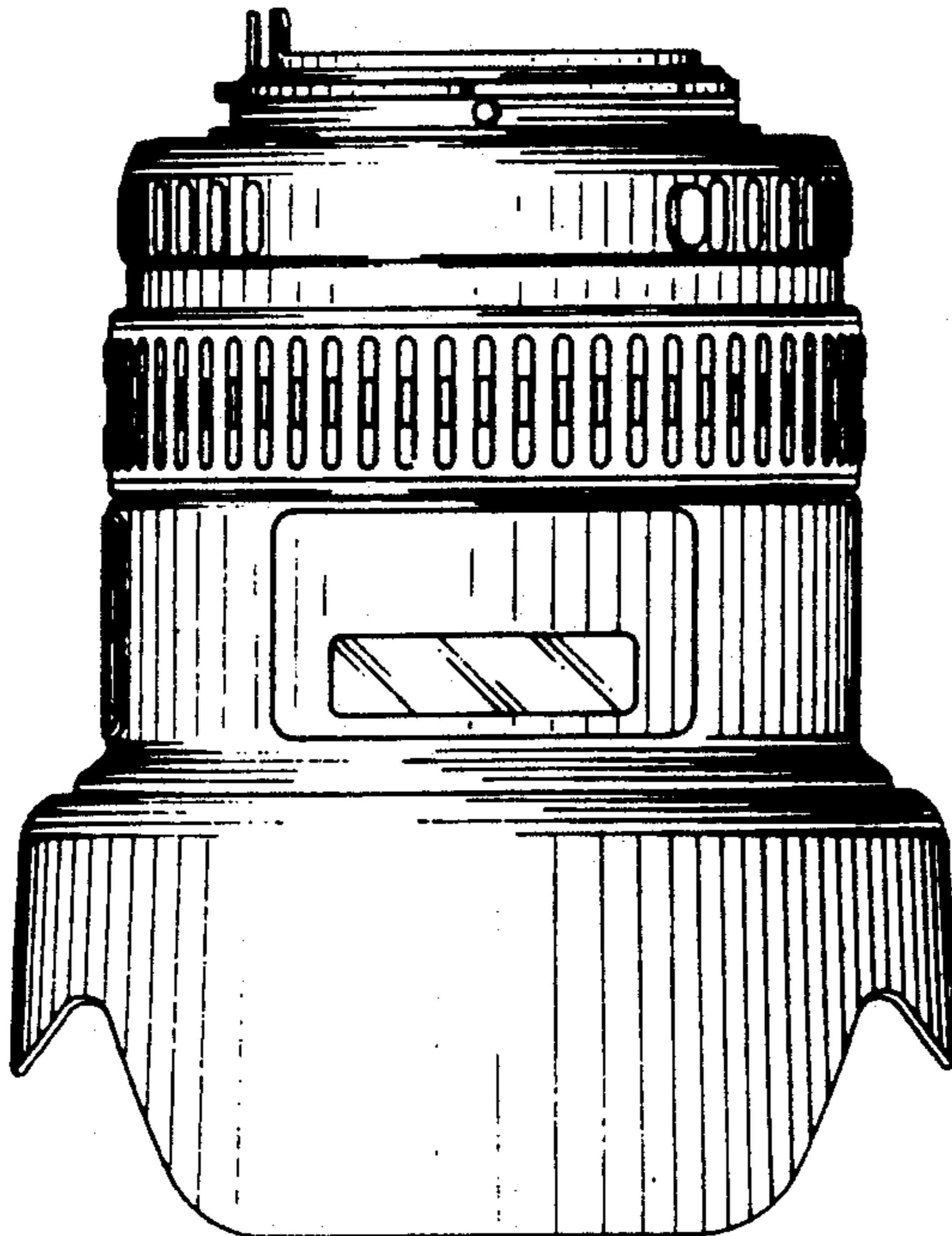


FIG. 3

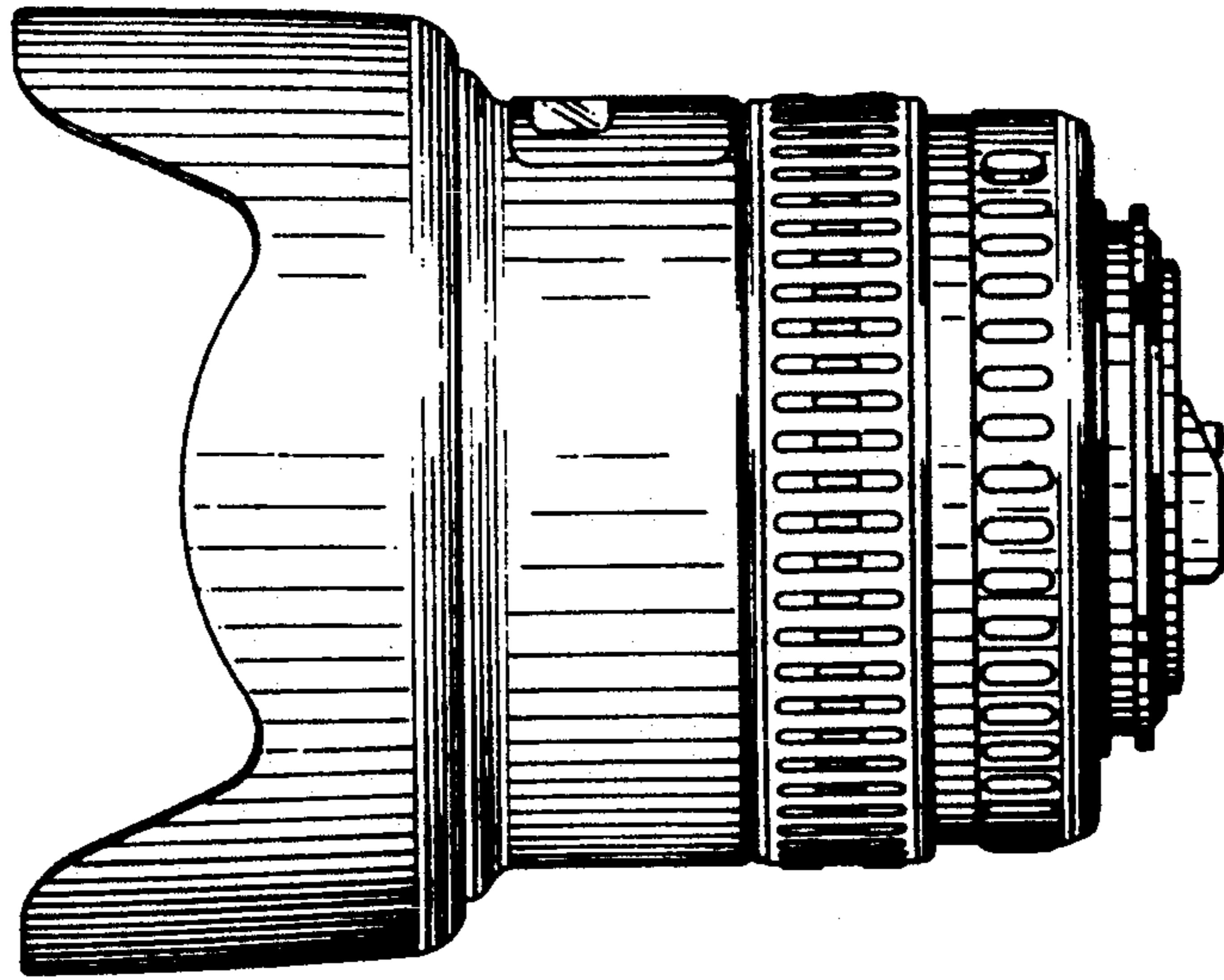


FIG. 4

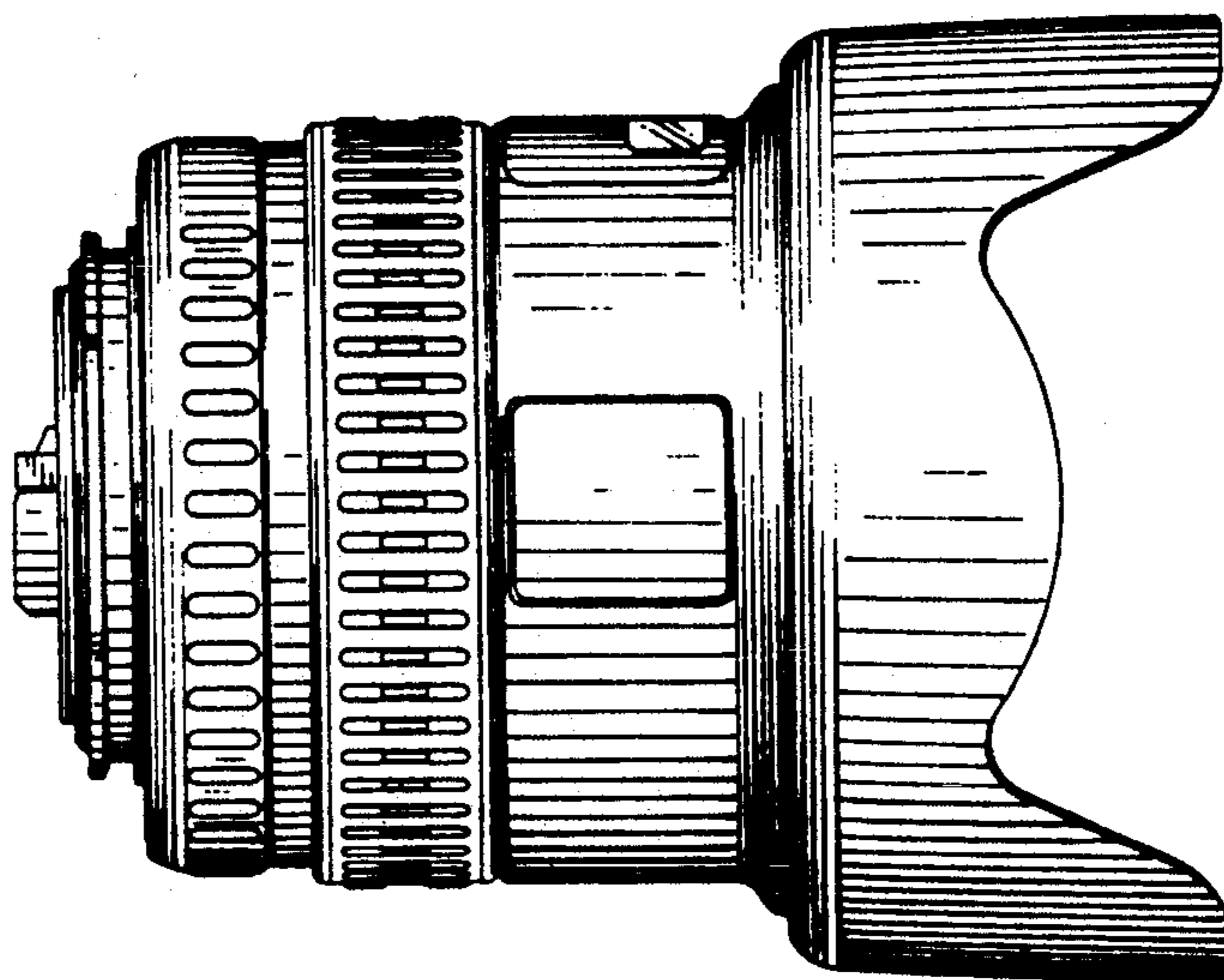


FIG. 5

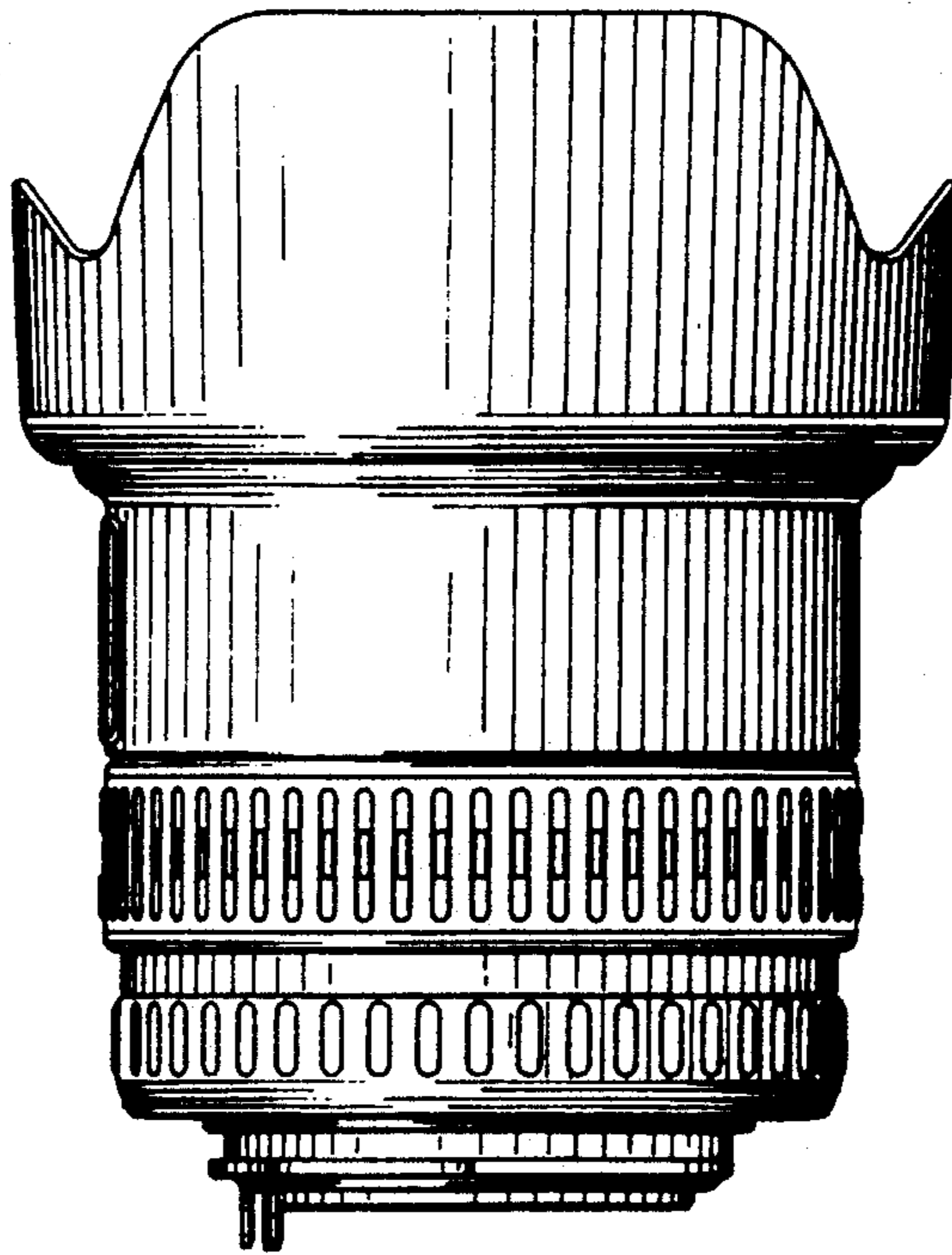


FIG. 6

