



US00D338475S

# United States Patent [19]

[11] Patent Number: **Des. 338,475**

Wilson et al.

[45] Date of Patent: **\*\* Aug. 17, 1993**

[54] WOOD LATHE

[75] Inventors: **Raymond L. Wilson; Barry D. Wixey,** both of Pittsburgh; **Ronald E. Young,** Cheswick, all of Pa.

[73] Assignee: **Delta International Machinery Corp.,** Pittsburgh, Pa.

[\*\*] Term: **14 Years**

[21] Appl. No.: **739,711**

[22] Filed: **Aug. 6, 1991**

[52] U.S. Cl. .... **D15/130**

[58] Field of Search ..... **D15/130; 82/112, 137, 82/142, 158; 157/13; 142/5, 6, 7, 38, 49, 55, 1, 48**

2,887,695	5/1959	Charlat .	
3,195,413	7/1965	Muller .	
3,232,171	2/1966	Hengehold .	
3,512,561	5/1970	Cortez .....	142/55
3,690,687	9/1972	Moe .	
3,718,405	2/1973	Keiter et al. .	
3,908,492	9/1975	Roskelley .	
4,512,380	4/1985	Schmidt .	
4,597,144	7/1986	Frank et al. .	
4,627,477	12/1986	Wise .....	142/7
4,638,550	1/1987	Malzkorn .	
4,738,171	4/1988	Link et al. .	
4,840,095	6/1989	Nusbaumer .	

*Primary Examiner*—Nelson C. Holtje  
*Assistant Examiner*—Antoine D. Davis  
*Attorney, Agent, or Firm*—Merchant, Gould, Smith, Edell, Welter & Schmidt

## [56] References Cited

### U.S. PATENT DOCUMENTS

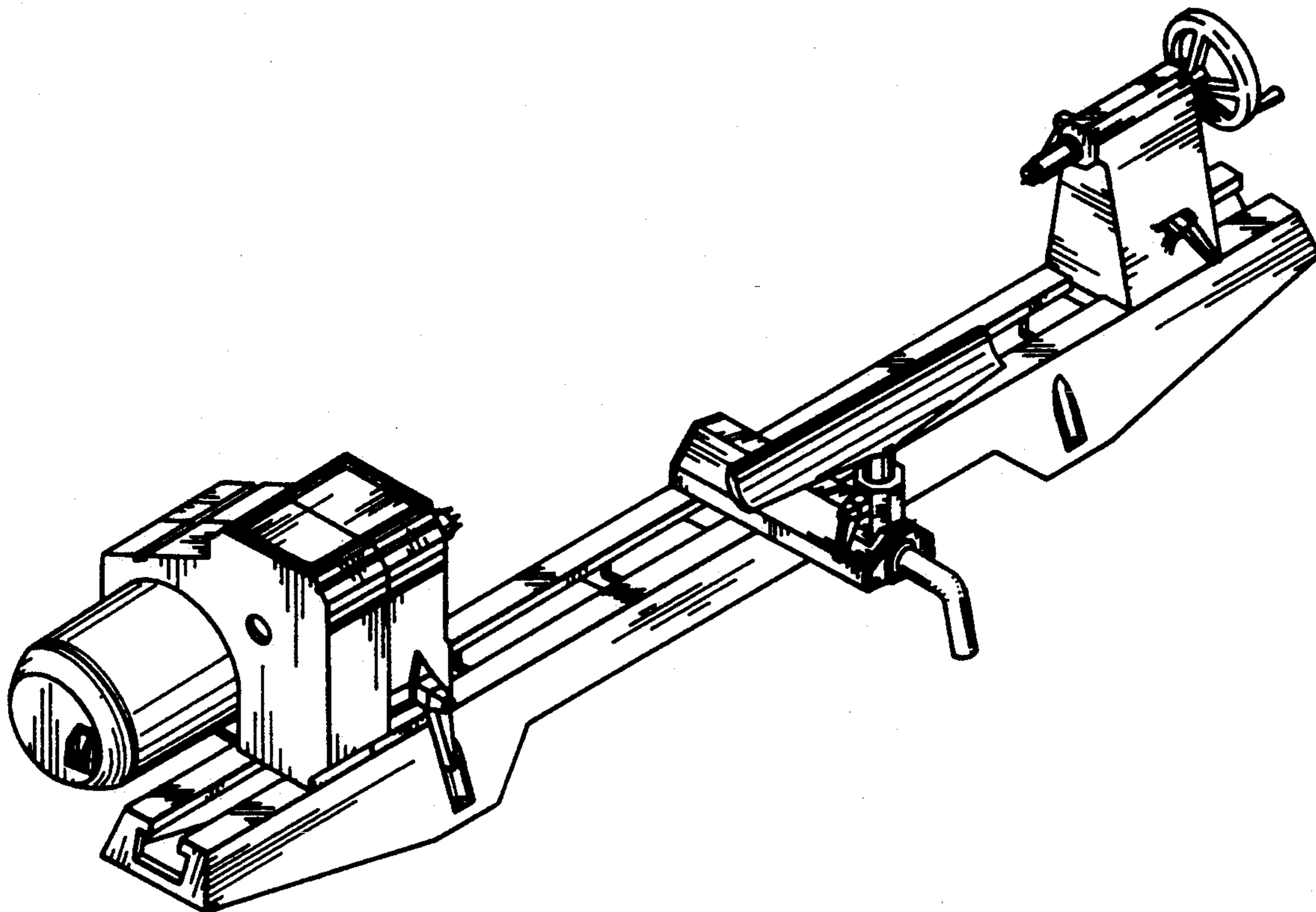
D. 142,812	11/1945	Andresen .....	D15/130
D. 152,228	12/1948	Stevens .....	D15/130
D. 309,741	8/1990	Archart et al. ....	D15/130
680,167	8/1901	Nitterauer .	
1,506,154	8/1924	Bertelson et al. .	
1,990,036	2/1935	Kratz et al. .	
2,173,769	9/1939	Small .	
2,470,871	5/1949	Schwantes et al. .	
2,486,524	11/1949	Dulaney .	
2,619,842	12/1952	Felix .	
2,792,858	5/1957	Bryant .	
2,800,154	7/1957	Ellis .	
2,885,897	5/1959	Pettigrew .	

## [57] CLAIM

The ornamental design for a wood lathe, as shown herein.

## DESCRIPTION

FIG. 1 is a top, front, and left side perspective view of a wood lathe showing our new design; FIG. 2 is a front elevational view thereof; FIG. 3 is a rear elevational view thereof; FIG. 4 is a right side elevational view thereof; FIG. 5 is a left side elevational view thereof; and, FIG. 6 is a top plan view thereof. The bottom view of the present wood lathe is devoid of ornamental design.



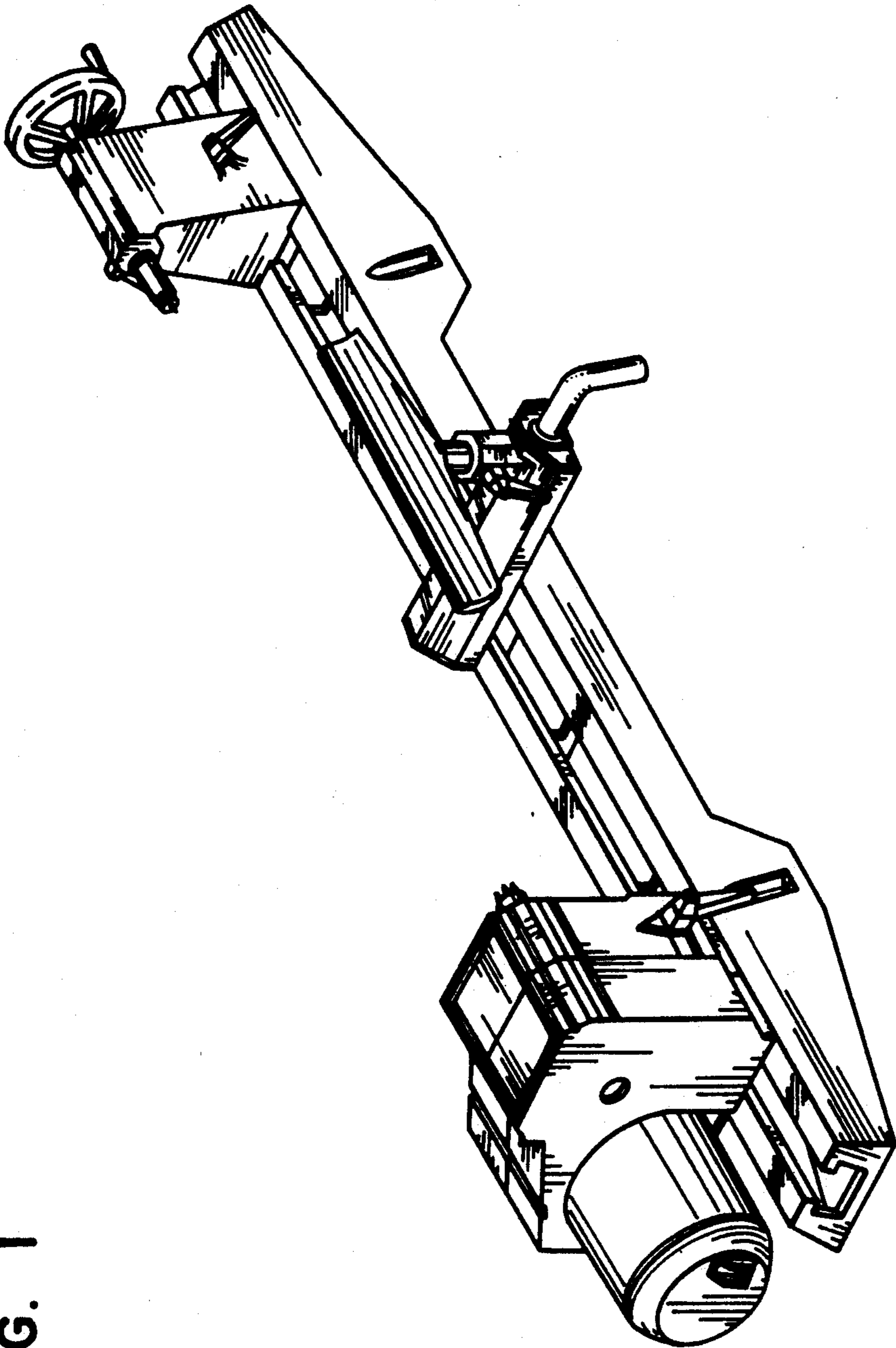


FIG. 1

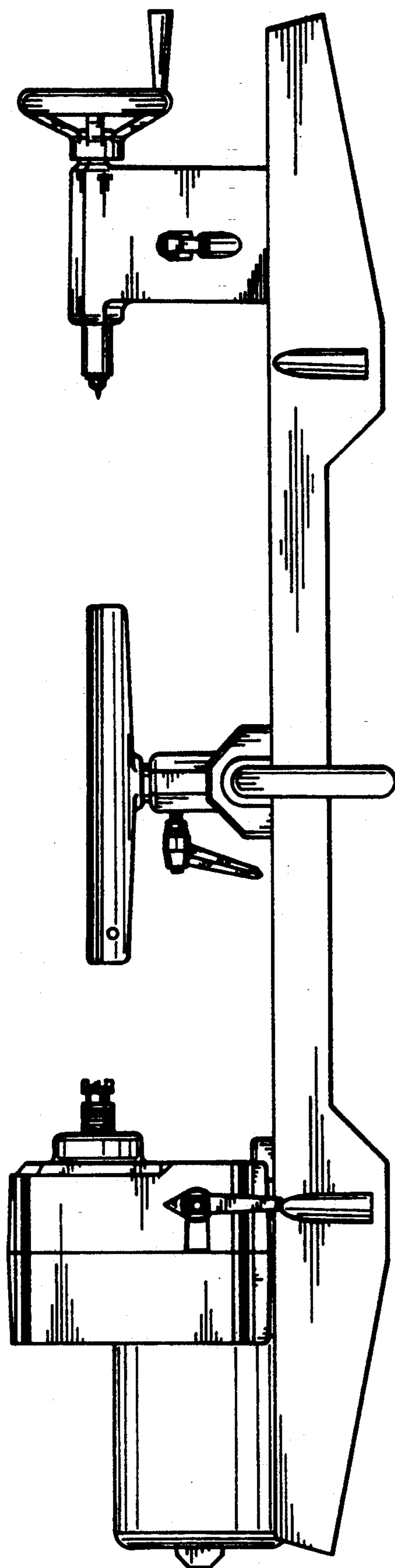


FIG. 2

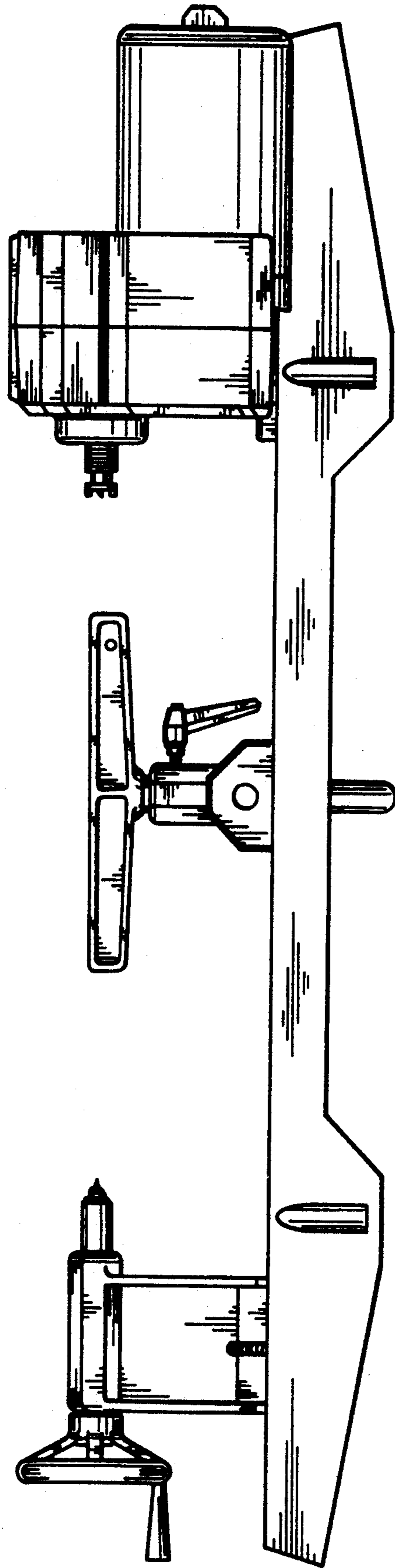


FIG. 3

FIG. 4

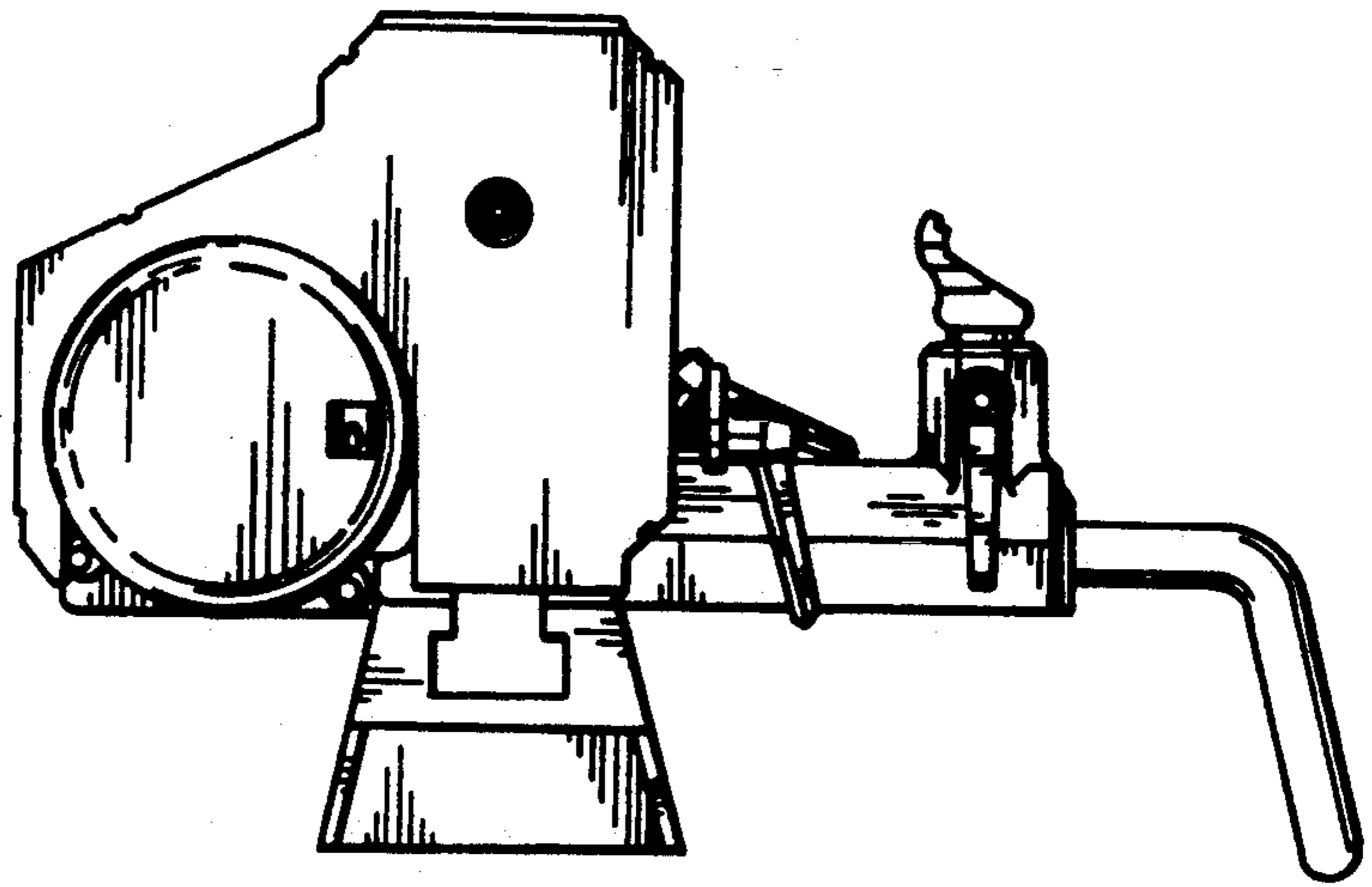
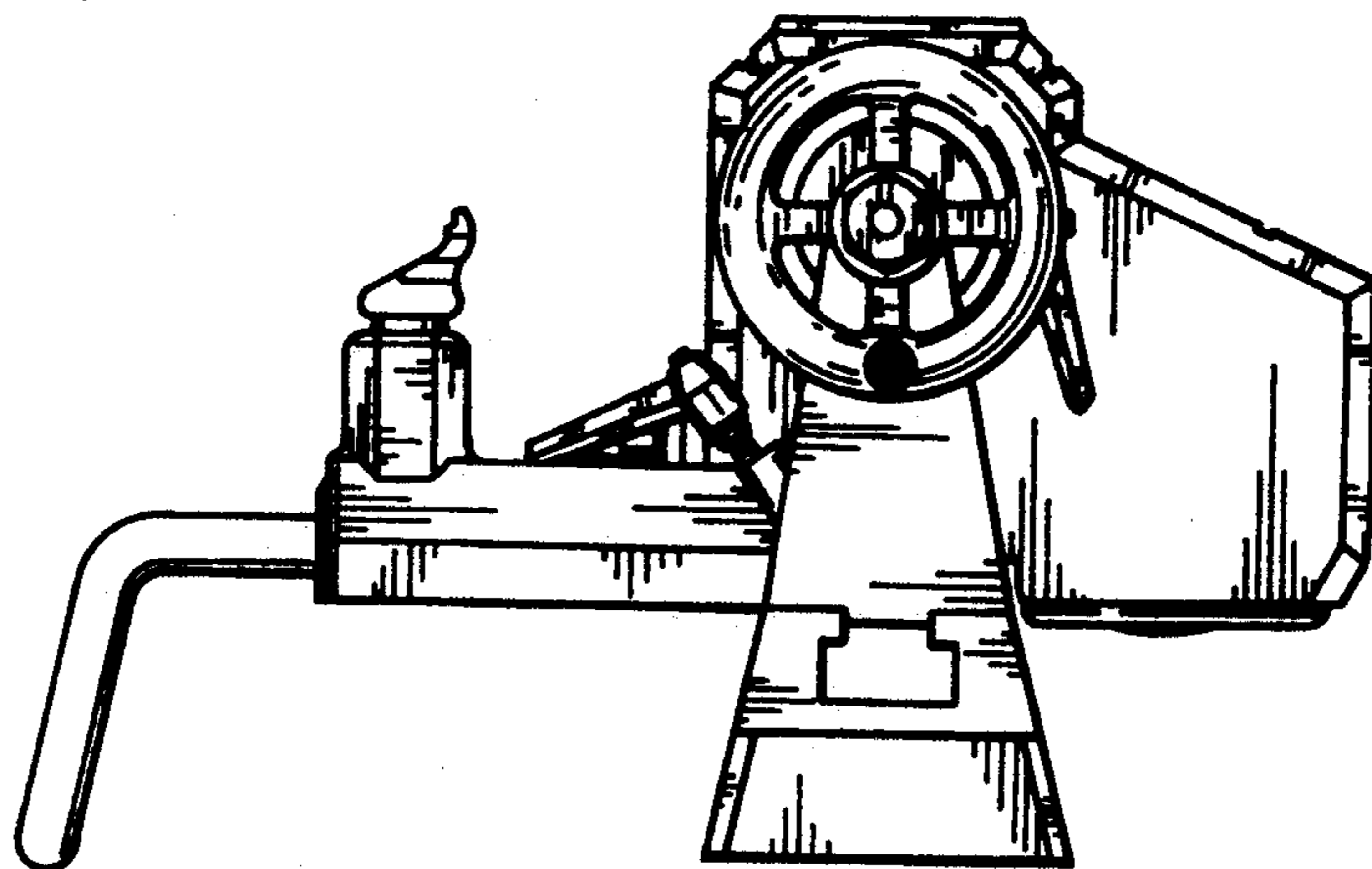


FIG. 5



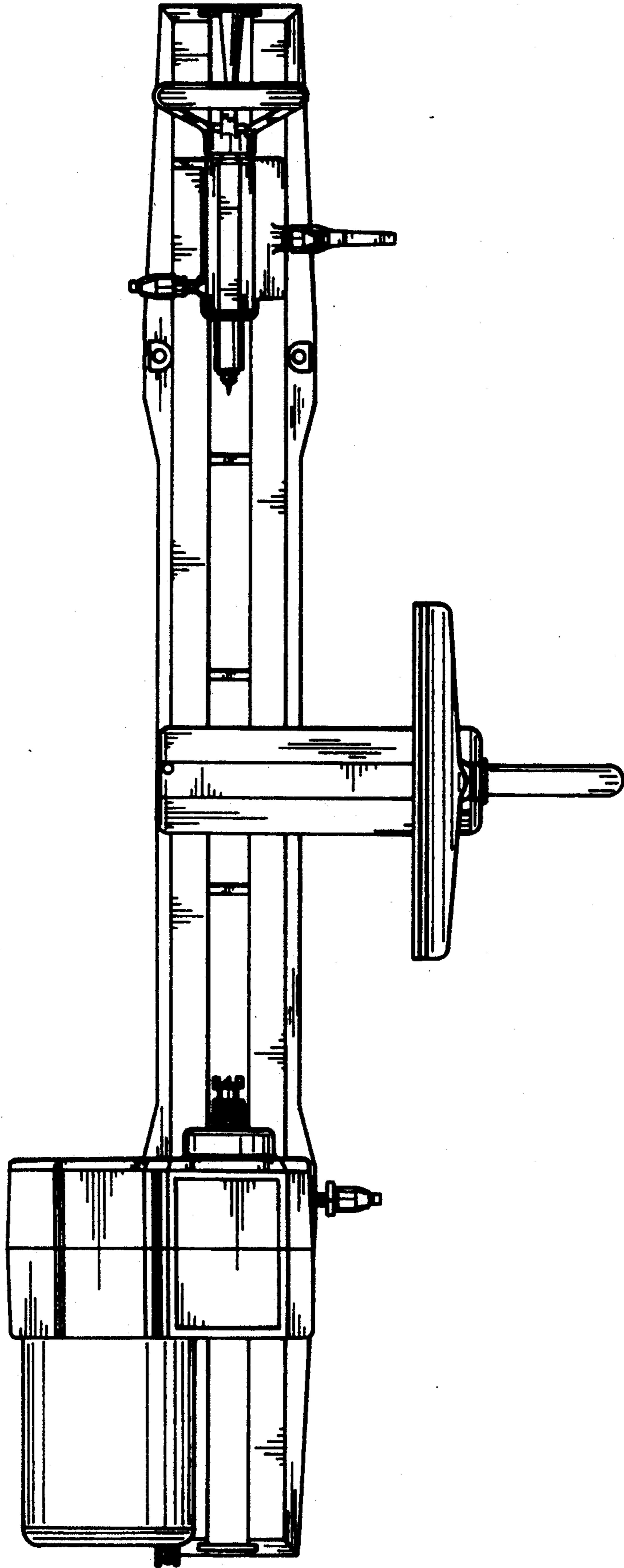


FIG. 6