



US00D338468S

# United States Patent [19]

[11] Patent Number: **Des. 338,468**

Rowse

[45] Date of Patent: **\*\* Aug. 17, 1993**

[54] **CONTROL UNIT FOR A COMPUTER TELEVISION SYSTEM**

[75] Inventor: **William T. Rowse, Belford, N.J.**

[73] Assignee: **Private Satellite Network, Inc., New York, N.Y.**

[\*\*] Term: **14 Years**

[21] Appl. No.: **612,898**

[22] Filed: **Nov. 13, 1990**

[52] U.S. Cl. .... **D14/239; D14/126; D14/299**

[58] Field of Search ..... **D14/125, 126, 239, 257, D14/155, 188, 217; 312/7.2; 358/194.1, 258**

[56] **References Cited**

**U.S. PATENT DOCUMENTS**

- D. 277,182 1/1985 Matsuda et al. .... D14/239
- D. 281,425 11/1985 Dulan ..... D14/125 X
- D. 305,430 1/1990 Cohen ..... D14/239 X
- D. 311,523 10/1990 Cheung et al. .... D14/126 X

*Primary Examiner*—Bernard Ansher  
*Assistant Examiner*—Mitchell I. Siegel  
*Attorney, Agent, or Firm*—Sprung Horn Kramer & Woods

[57] **CLAIM**

The ornamental design for a control unit for a computer television system, as shown and described.

**DESCRIPTION**

FIG. 1 is a top, front and right side perspective view of a control unit for a computer television system showing my new design;

FIG. 2 is an enlarged front elevational view thereof;

FIG. 3 is a top plan view of FIG. 2;

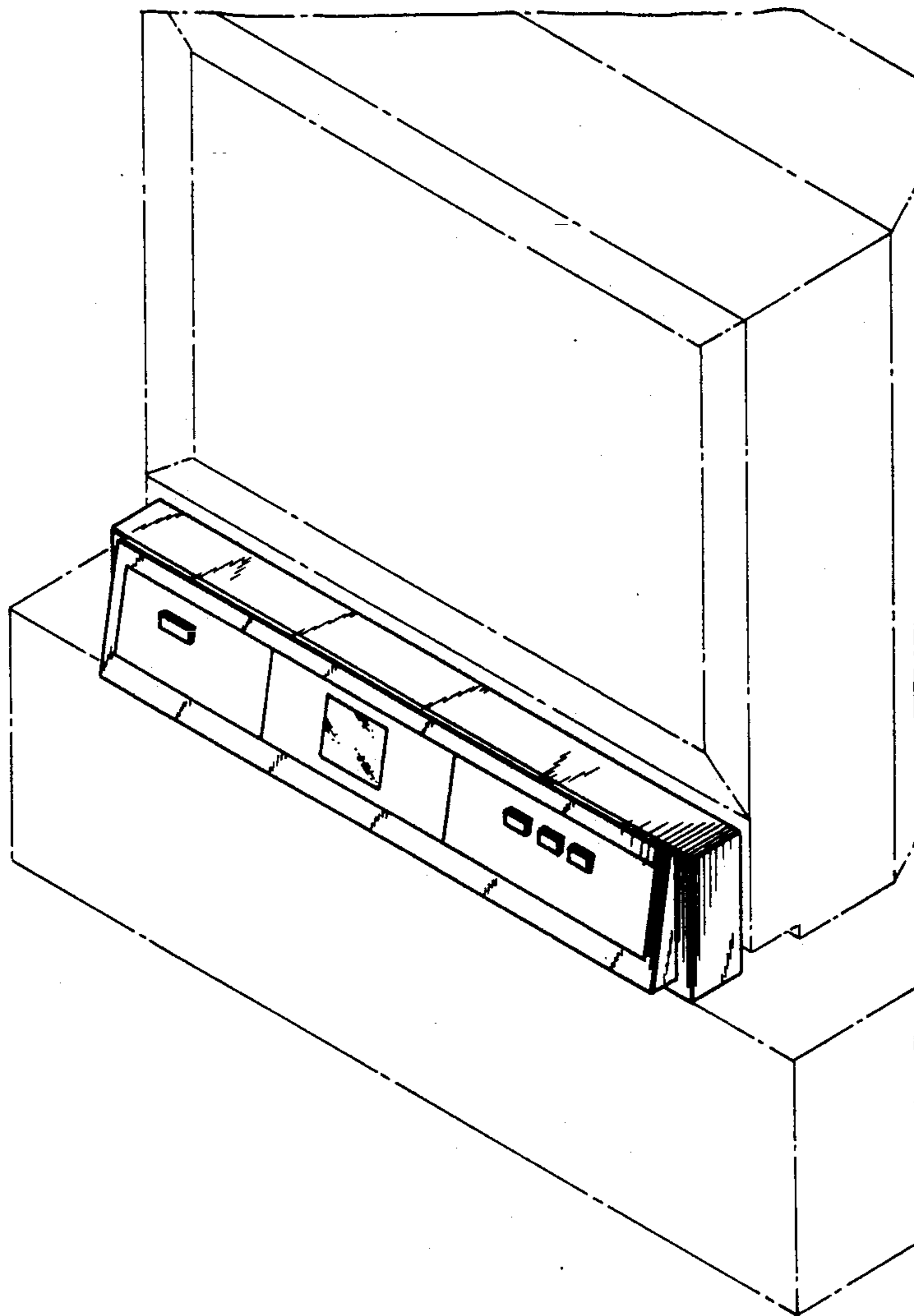
FIG. 4 is a bottom plan view of FIG. 2;

FIG. 5 is a rear elevational view of FIG. 2;

FIG. 6 is a left side elevational view of FIG. 2; and,

FIG. 7 is a right side elevational view of FIG. 2.

The broken line showing of a fragmentary computer terminal is for illustrative purposes only and forms no part of the claimed design.



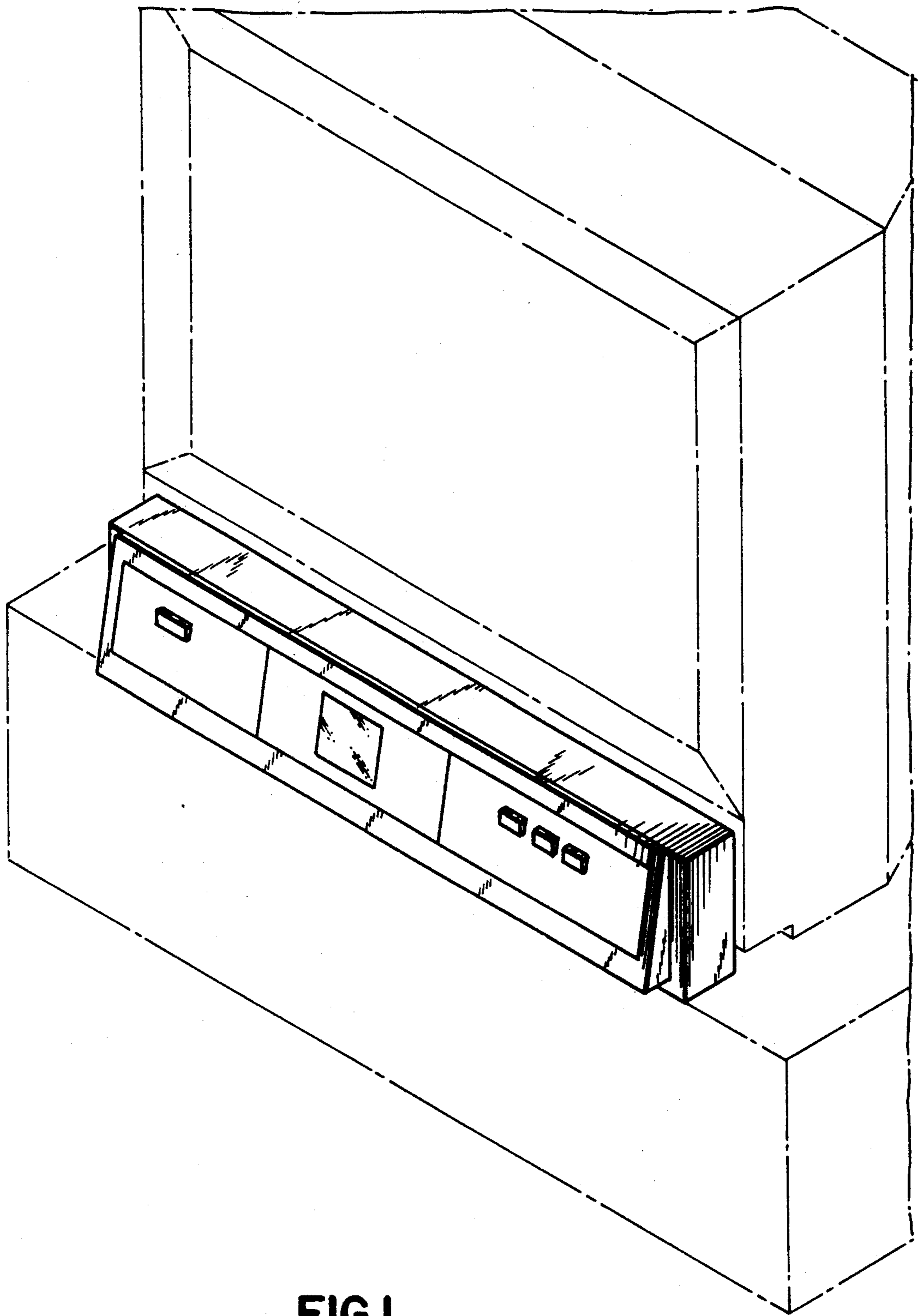


FIG. 1

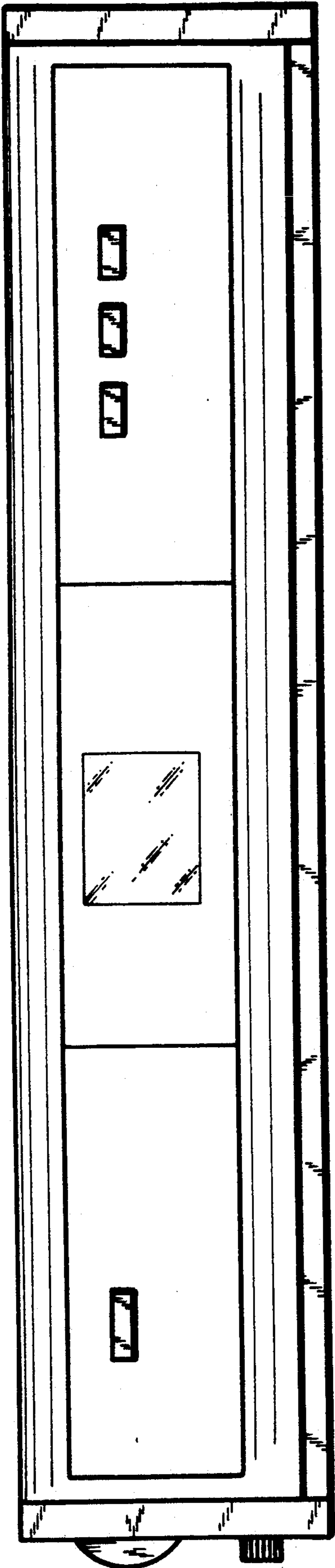


FIG. 2

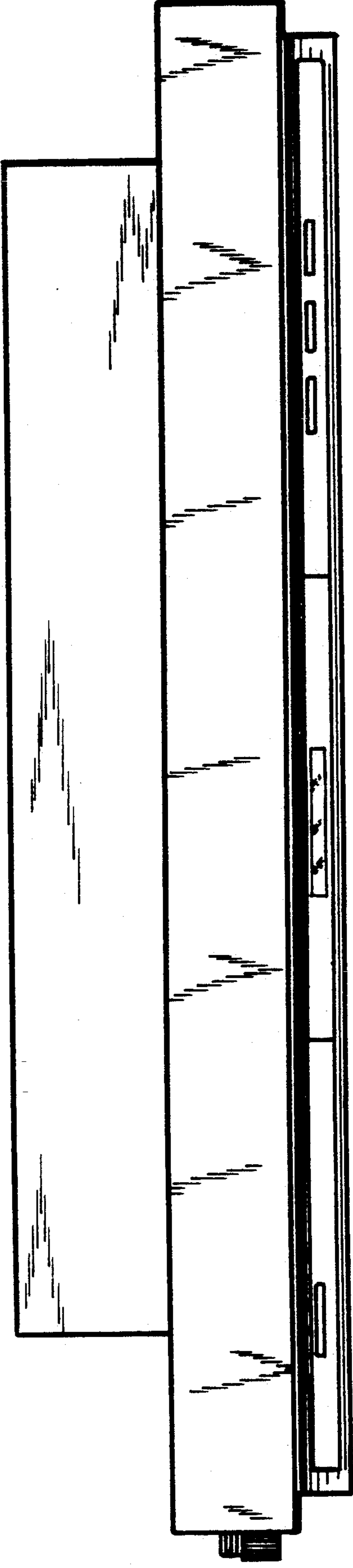


FIG. 3



FIG. 4

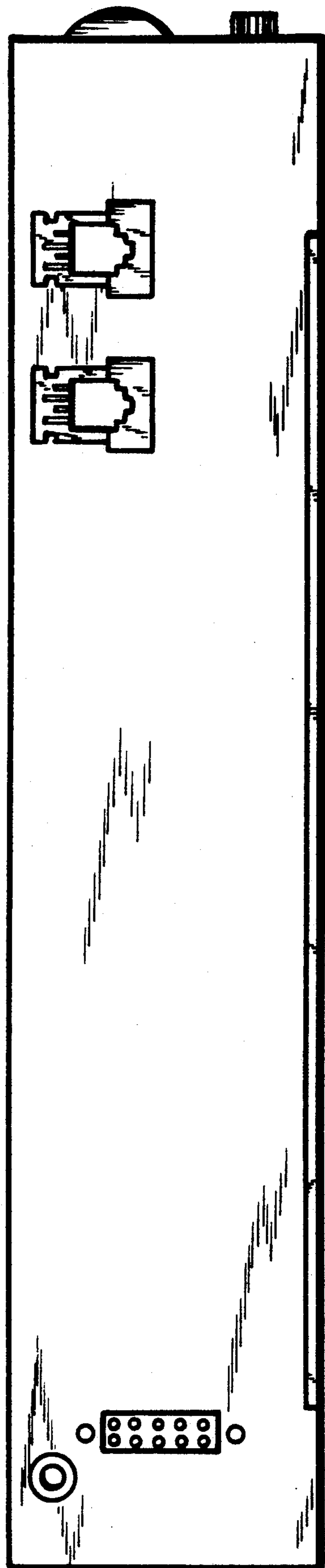


FIG. 5

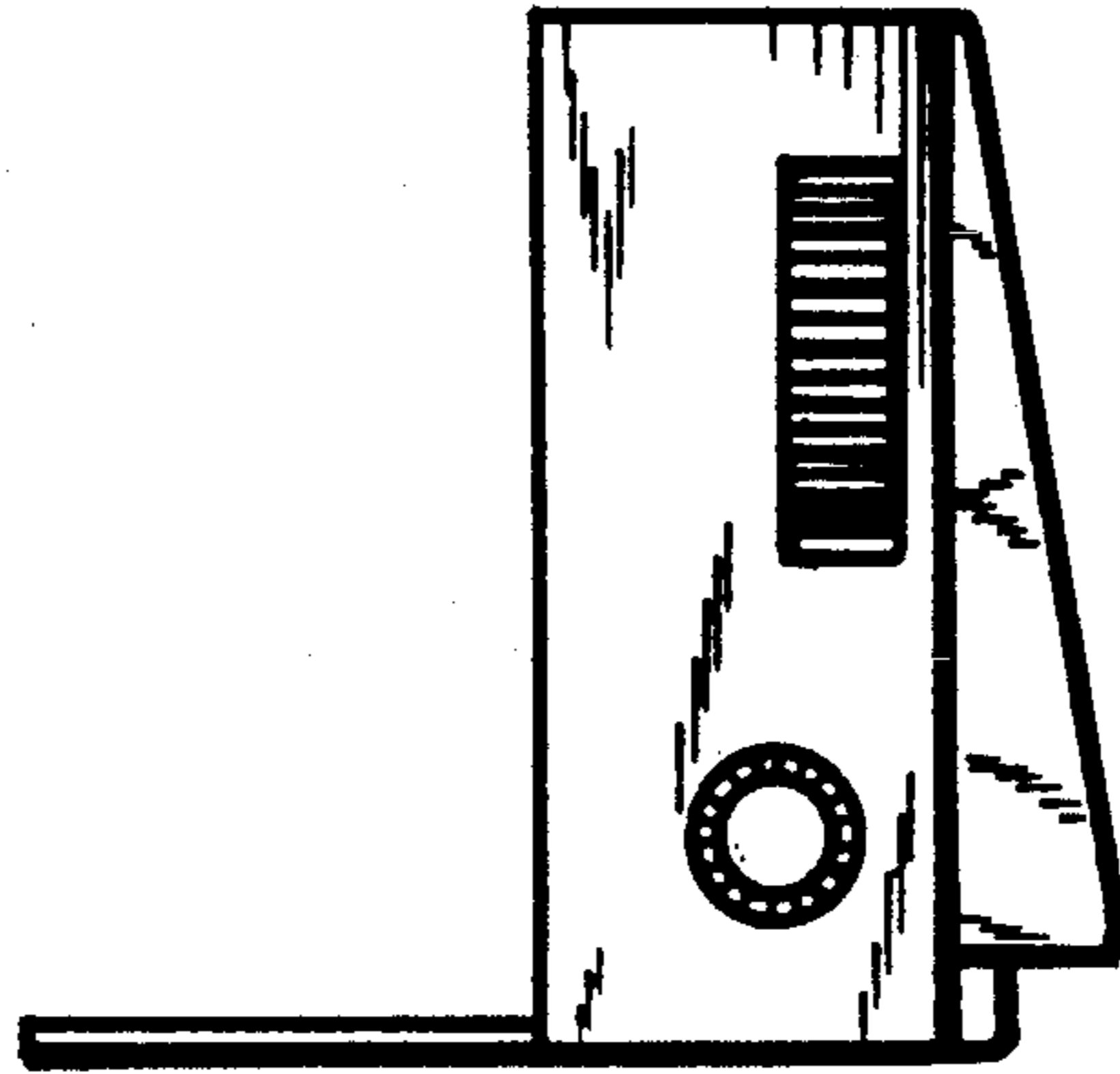


FIG. 6

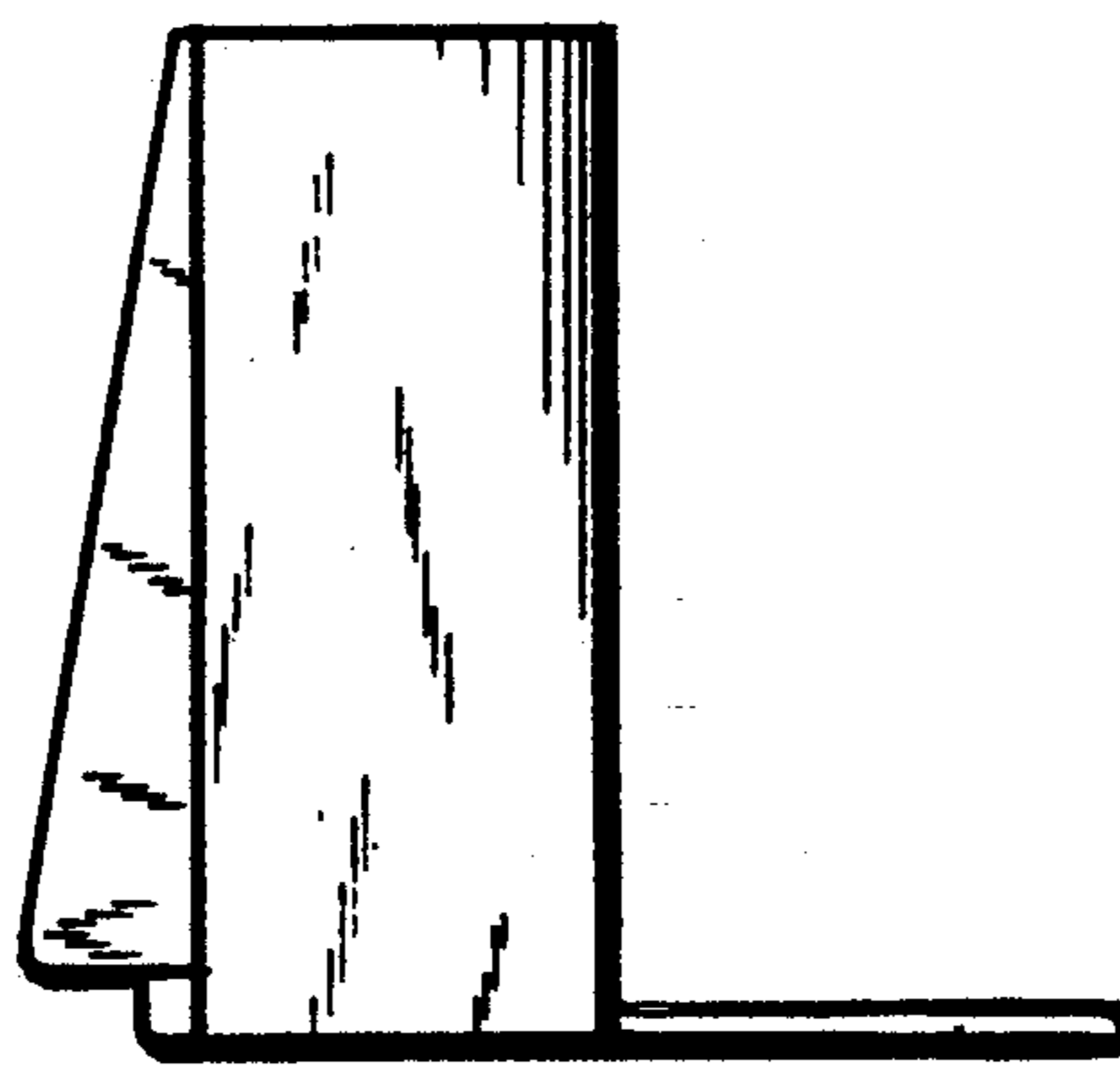


FIG. 7