



US00D338465S

United States Patent [19]

[11] Patent Number: **Des. 338,465**

Hayasaka et al.

[45] Date of Patent: **** Aug. 17, 1993**

[54] **DISPLAY PAGER**

[56] **References Cited**

[75] Inventors: **Sigeki Hayasaka; Takashi Oyamada; Kozo Maemura**, all of Tokyo, Japan

U.S. PATENT DOCUMENTS

- D. 284,472 7/1986 Nakatani et al. D14/191
- D. 303,969 10/1989 Scheid et al. D14/191
- D. 311,188 10/1990 Oyamada et al. D14/191
- D. 314,382 2/1991 Scheid et al. D14/191

[73] Assignee: **NEC Corporation**, Tokyo, Japan

Primary Examiner—Theodore M. Shooman

[**] Term: **14 Years**

[57] **CLAIM**

[21] Appl. No.: **400,232**

The ornamental design for a display pager, as shown.

[22] Filed: **Aug. 23, 1989**

DESCRIPTION

[30] **Foreign Application Priority Data**

Feb. 27, 1989 [JP] Japan 1-7284

[52] U.S. Cl. **D14/191**

[58] Field of Search D14/136, 156, 163, 165, D14/168-171, 175-176, 188-198; 455/92, 100, 128, 344, 350-351; 312/7.1; 340/825.44

FIG. 1 is a front, top and left side perspective view of a display pager showing our new design;
 FIG. 2 is a front elevational view thereof;
 FIG. 3 is a rear elevational view thereof;
 FIG. 4 is a right side elevational view thereof;
 FIG. 5 is a left side elevational view thereof;
 FIG. 6 is a top plan view thereof; and,
 FIG. 7 is a bottom plan view thereof.

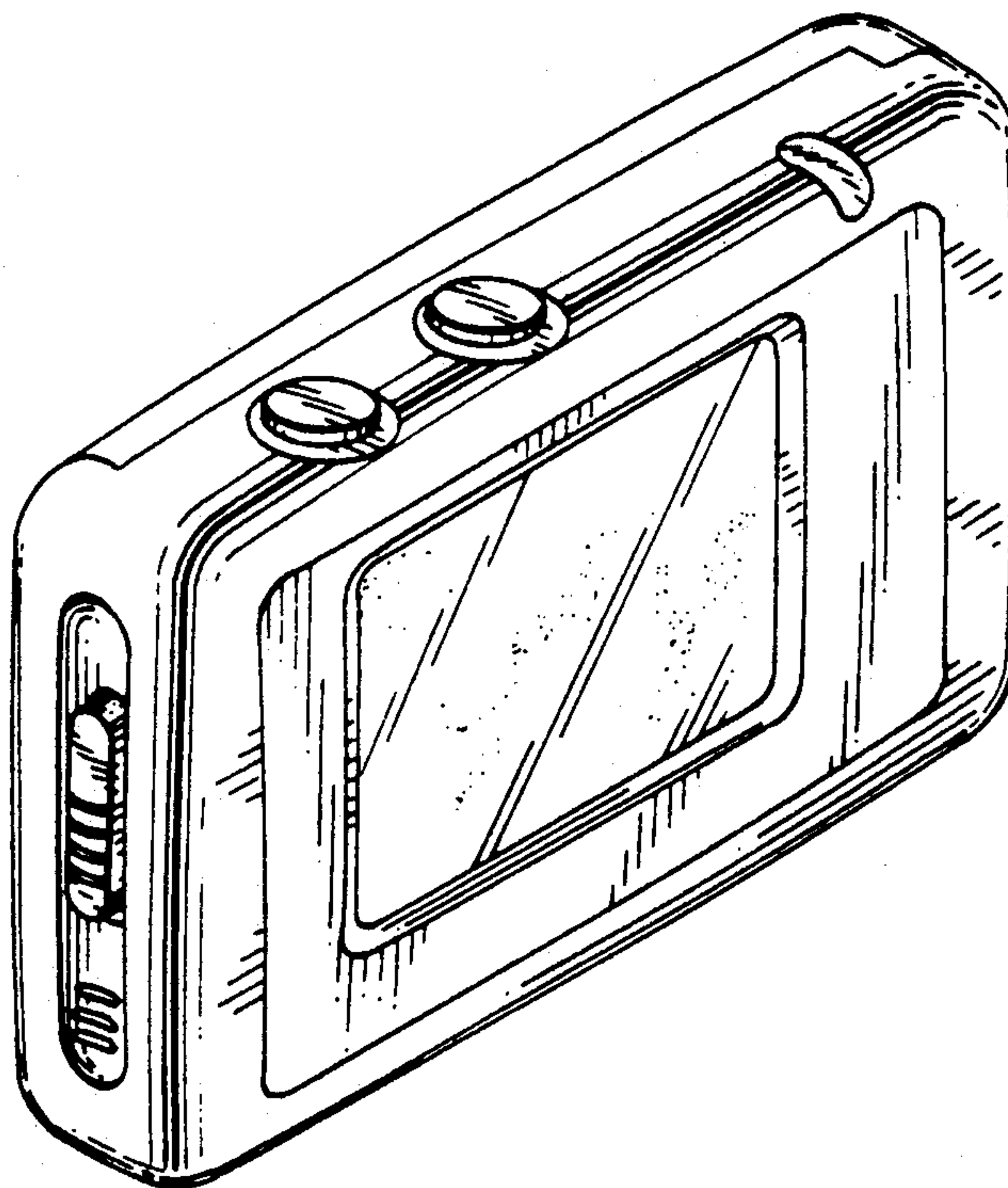


FIG. 1

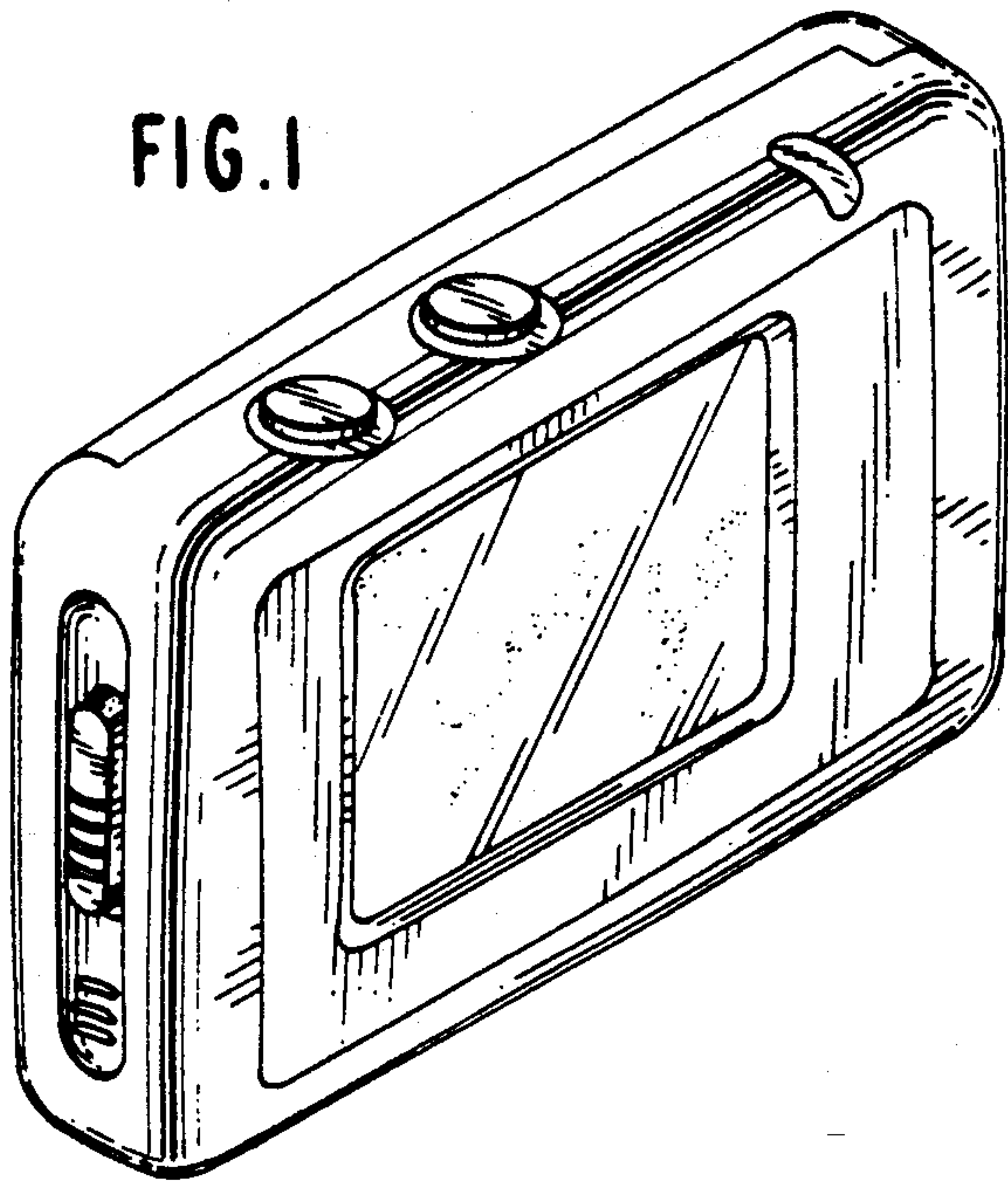


FIG. 2

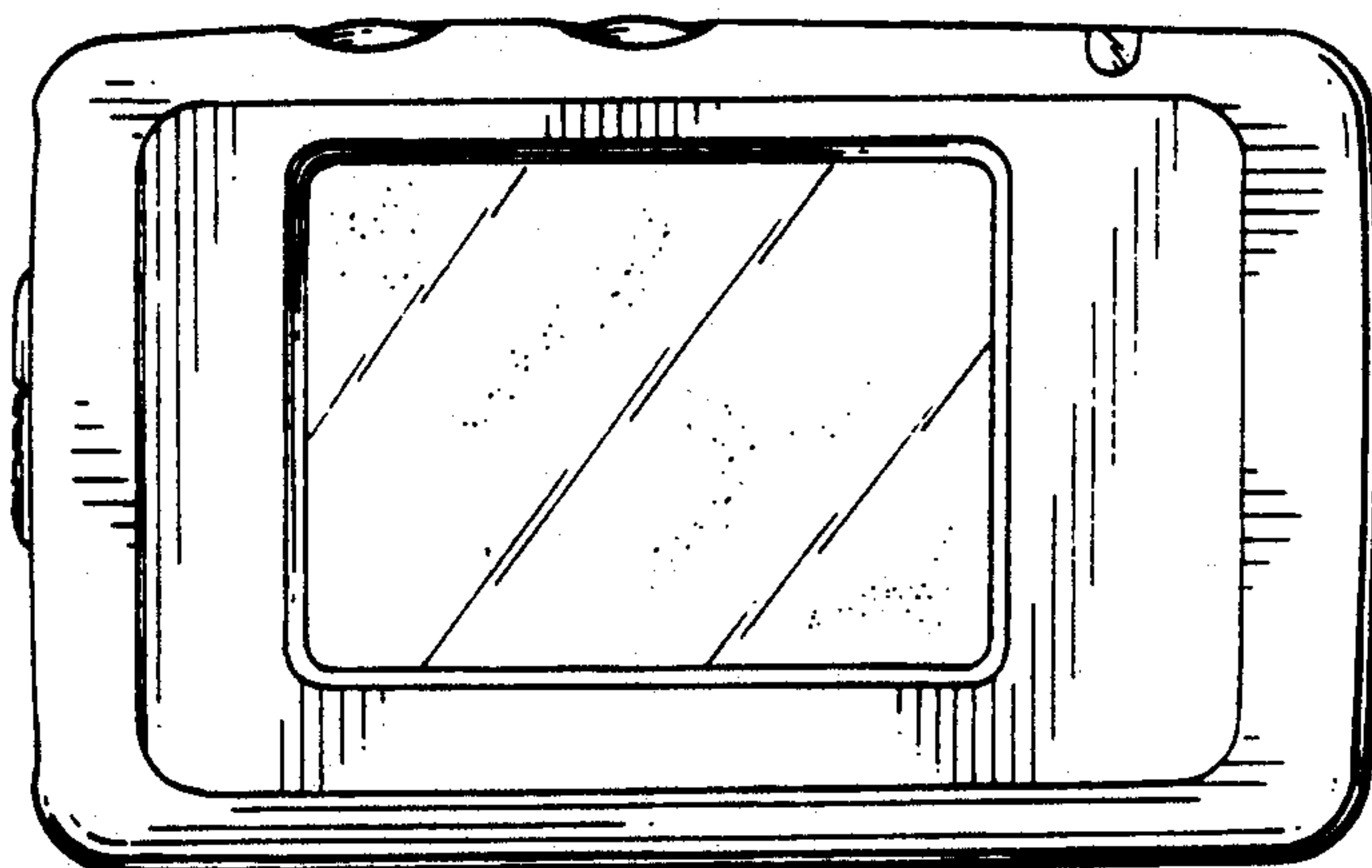


FIG. 3

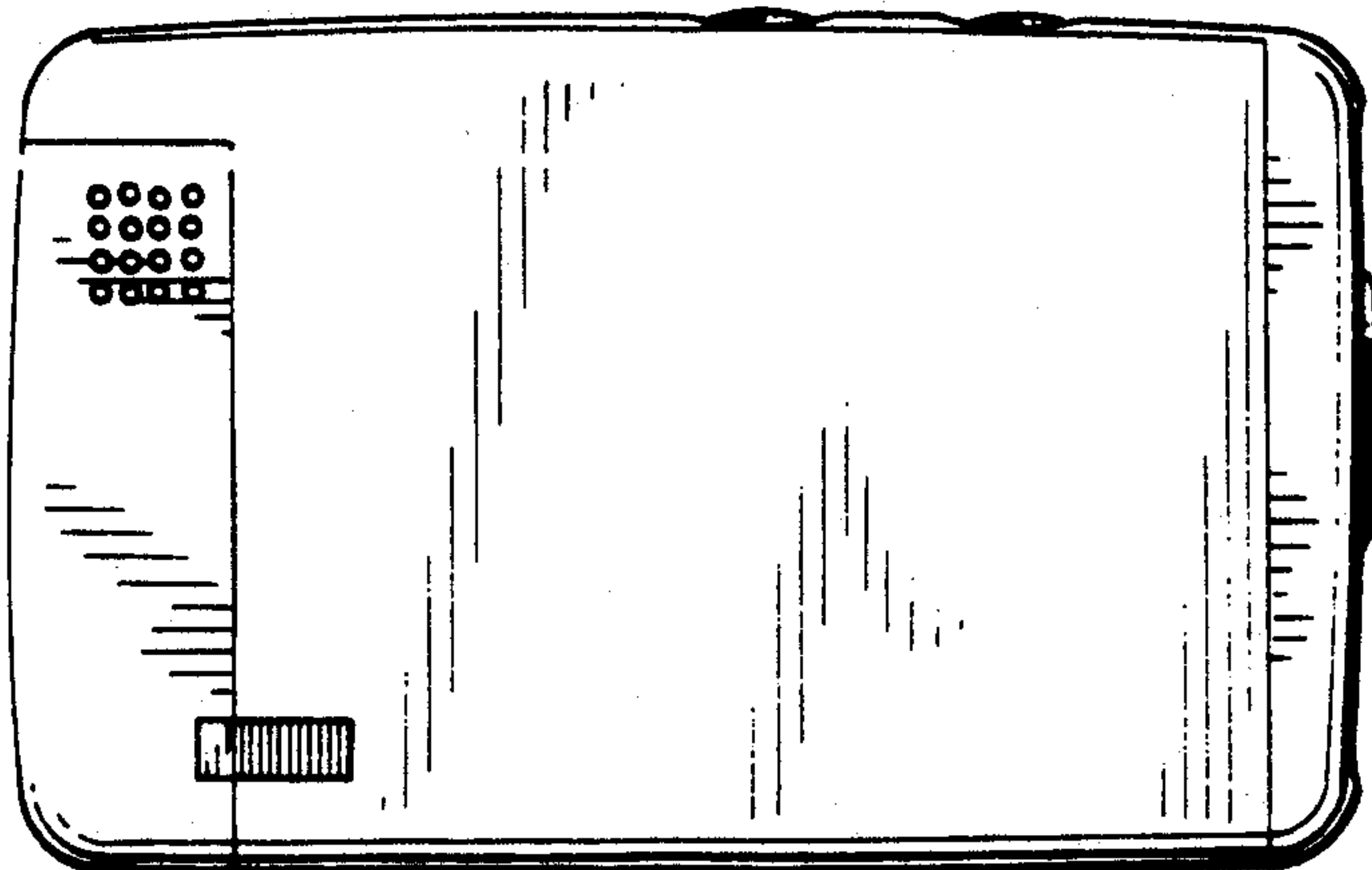


FIG. 4

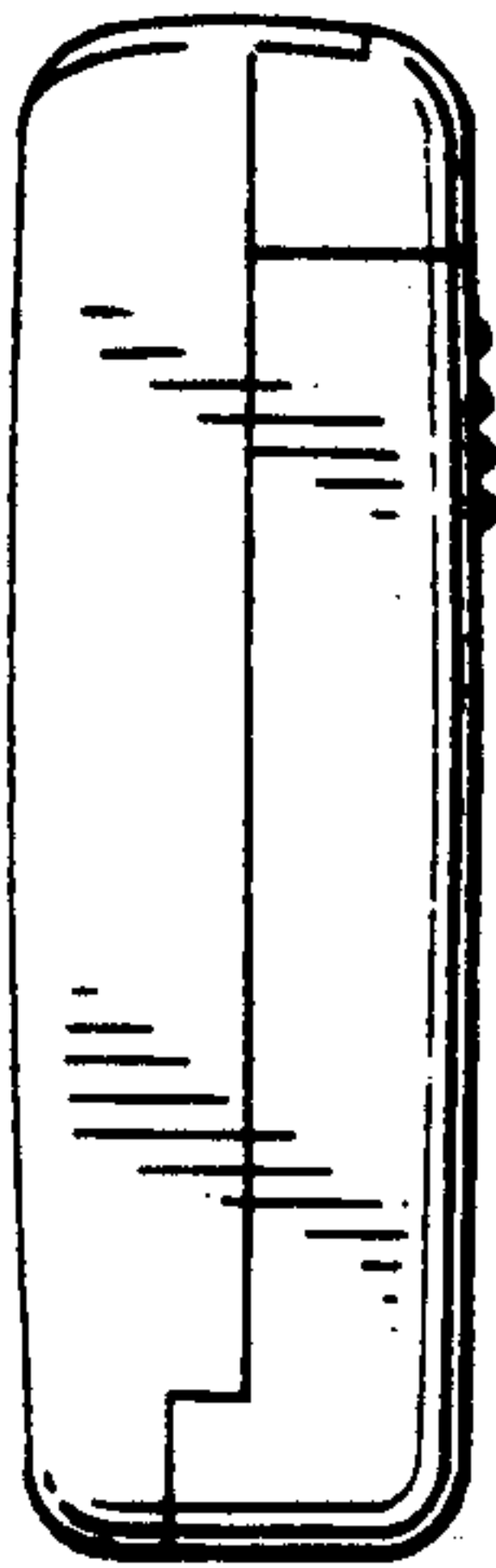


FIG. 5

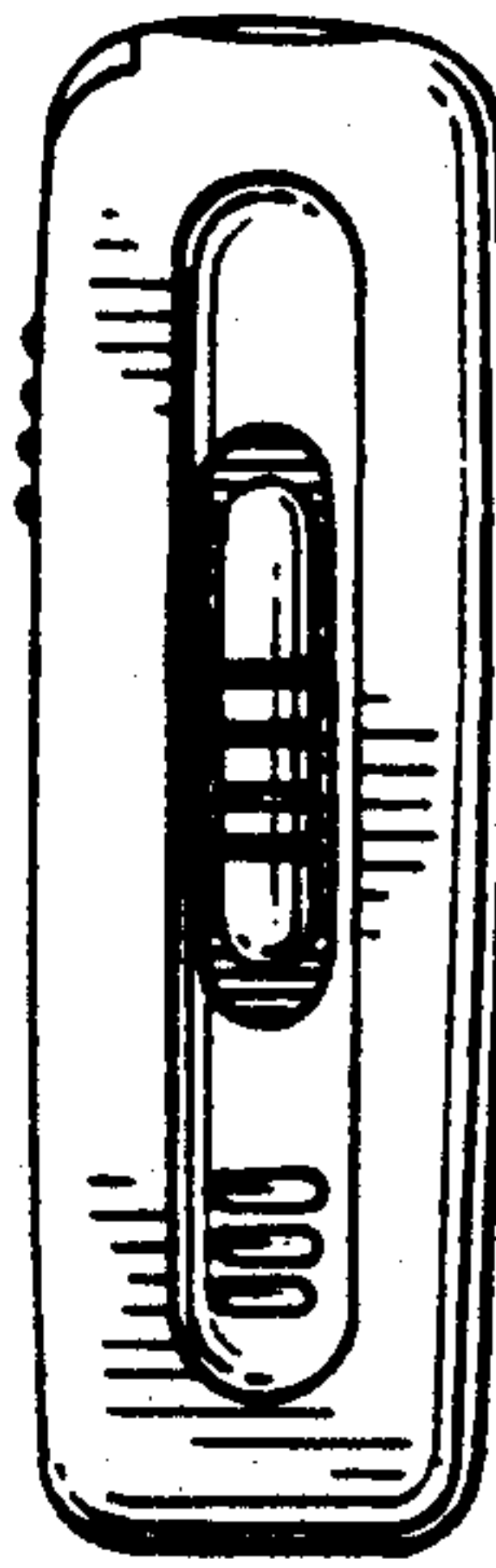


FIG. 6

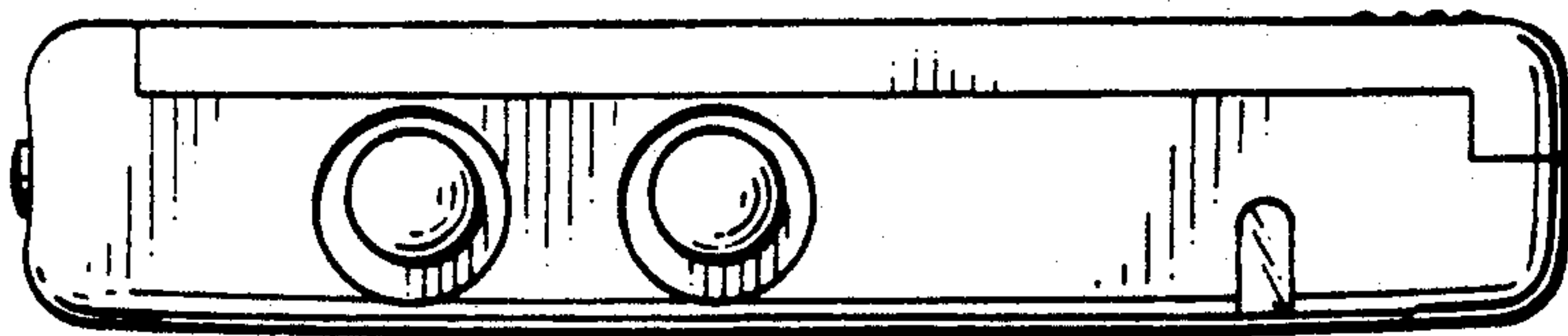


FIG. 7

