



US00D338464S

United States Patent [19]

[11] Patent Number: **Des. 338,464**

Darby

[45] Date of Patent: **** Aug. 17, 1993**

[54] MEGAPHONE FOR USE WITH BINGO GAMES

2,507,843	5/1950	Wheeler	181/178
2,895,636	7/1959	Martin	D7/536
4,230,235	10/1980	Di Amico	D7/536
4,613,012	9/1986	Mueller, III	181/178
4,703,829	11/1987	Hardt	181/178

[76] Inventor: **Mary I. Darby, 1478 Proper Ave., Burton, Mich. 48529**

[**] Term: **14 Years**

FOREIGN PATENT DOCUMENTS

[21] Appl. No.: **611,137**

0692963 6/1940 Fed. Rep. of Germany .

[22] Filed: **Nov. 8, 1990**

Primary Examiner—Bernard Ansher

[52] U.S. Cl. **D14/187; D14/204**

Assistant Examiner—Sandra Morris

[58] Field of Search **D14/187, 204; 181/177, 181/178, 179; D7/533, 535, 536**

Attorney, Agent, or Firm—Terry M. Gernstein

[57] CLAIM

[56] References Cited

The ornamental design for a megaphone for use with bingo games, as shown and described.

U.S. PATENT DOCUMENTS

DESCRIPTION

D. 94,000	12/1934	Sebring	D7/536
D. 273,745	5/1984	Jagger	D7/535
D. 283,772	12/1983	Vail	D7/9
D. 293,189	12/1987	Sandler	D7/536
D. 296,691	12/1985	Tajima	D14/35
D. 303,530	9/1986	Baer	D15/204
D. 316,789	5/1991	McLaughlin	D6/522
2,151,023	3/1939	Gibson	D7/536
2,355,010	8/1944	Pera	D7/536

FIG. 1 is a perspective view of the megaphone for use with bingo games embodying the design of the present invention;

FIG. 2 is a front elevational view thereof;

FIG. 3 is a rear elevational view thereof;

FIG. 4 is a side elevational view thereof;

FIG. 5 is a top plan view thereof;

FIG. 6 is a bottom view thereof.

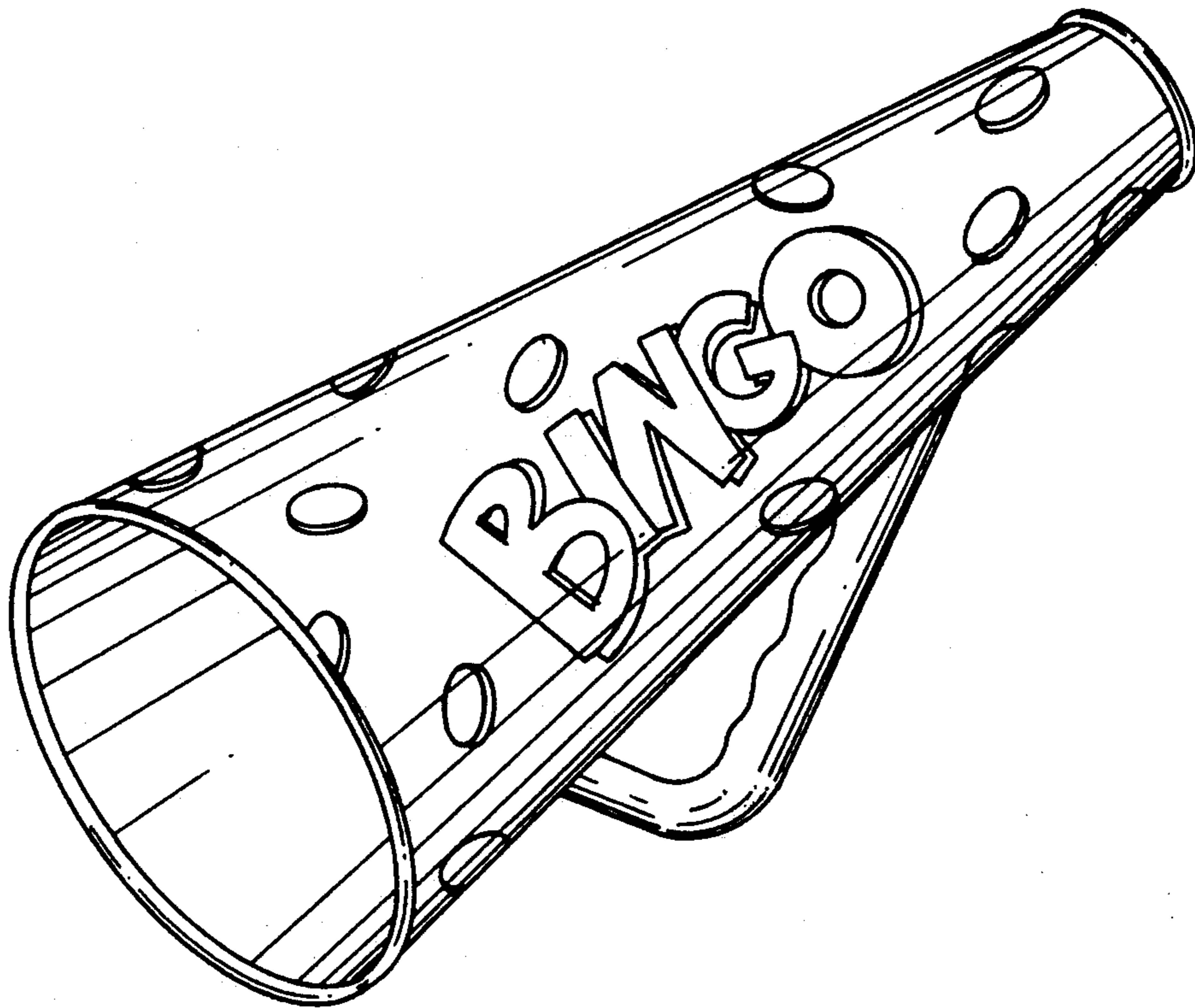


FIG. 2.

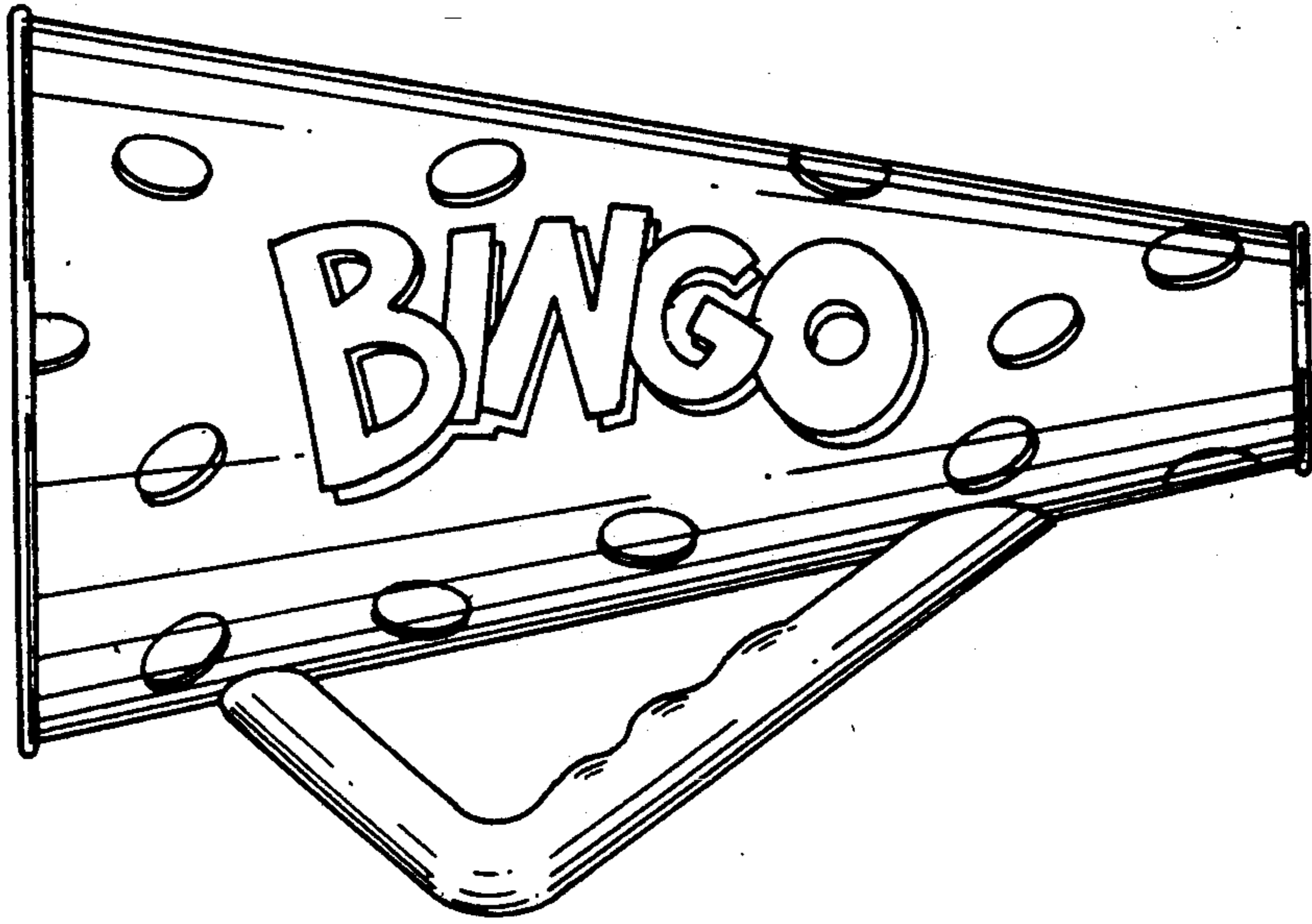
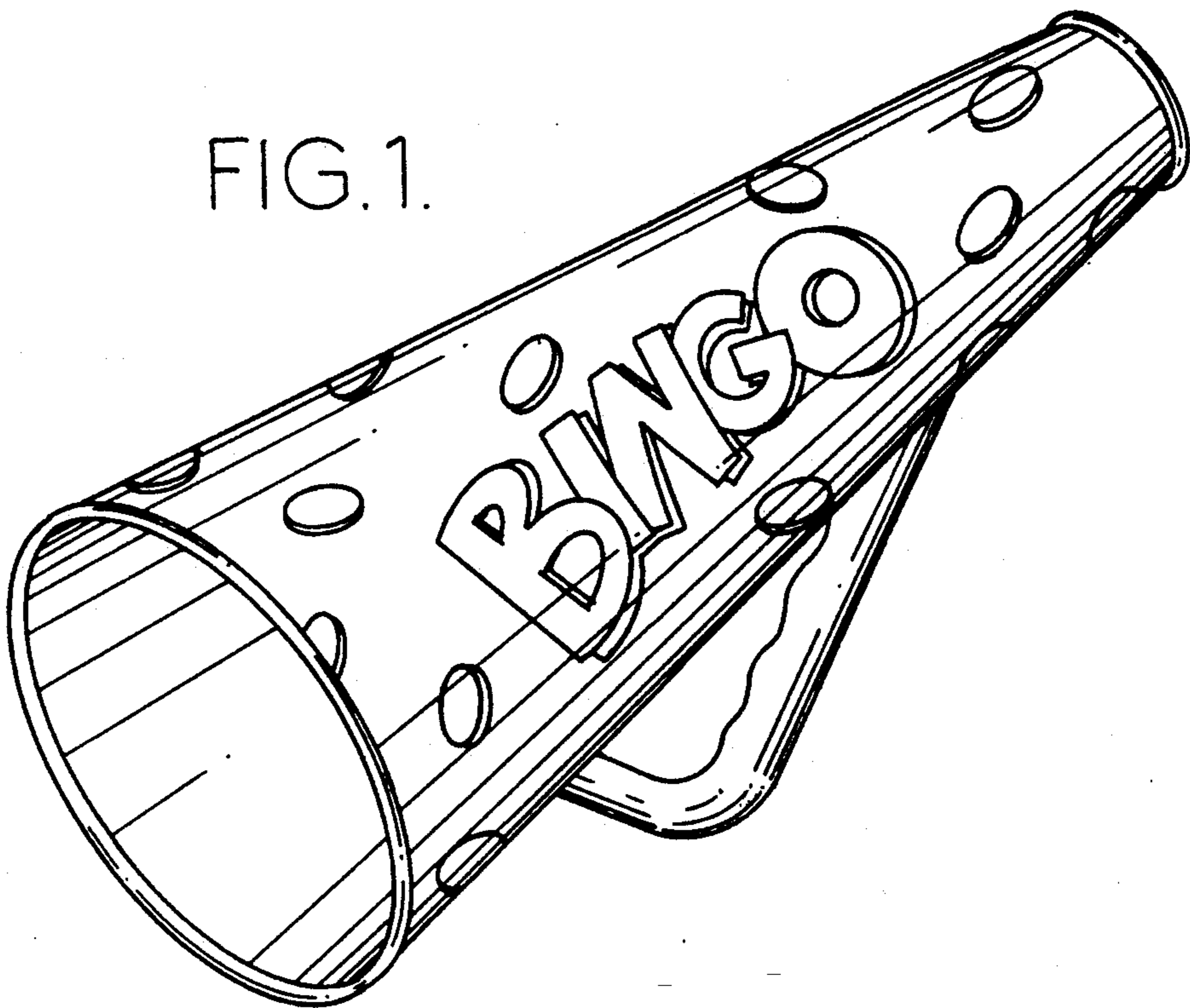


FIG. 1.



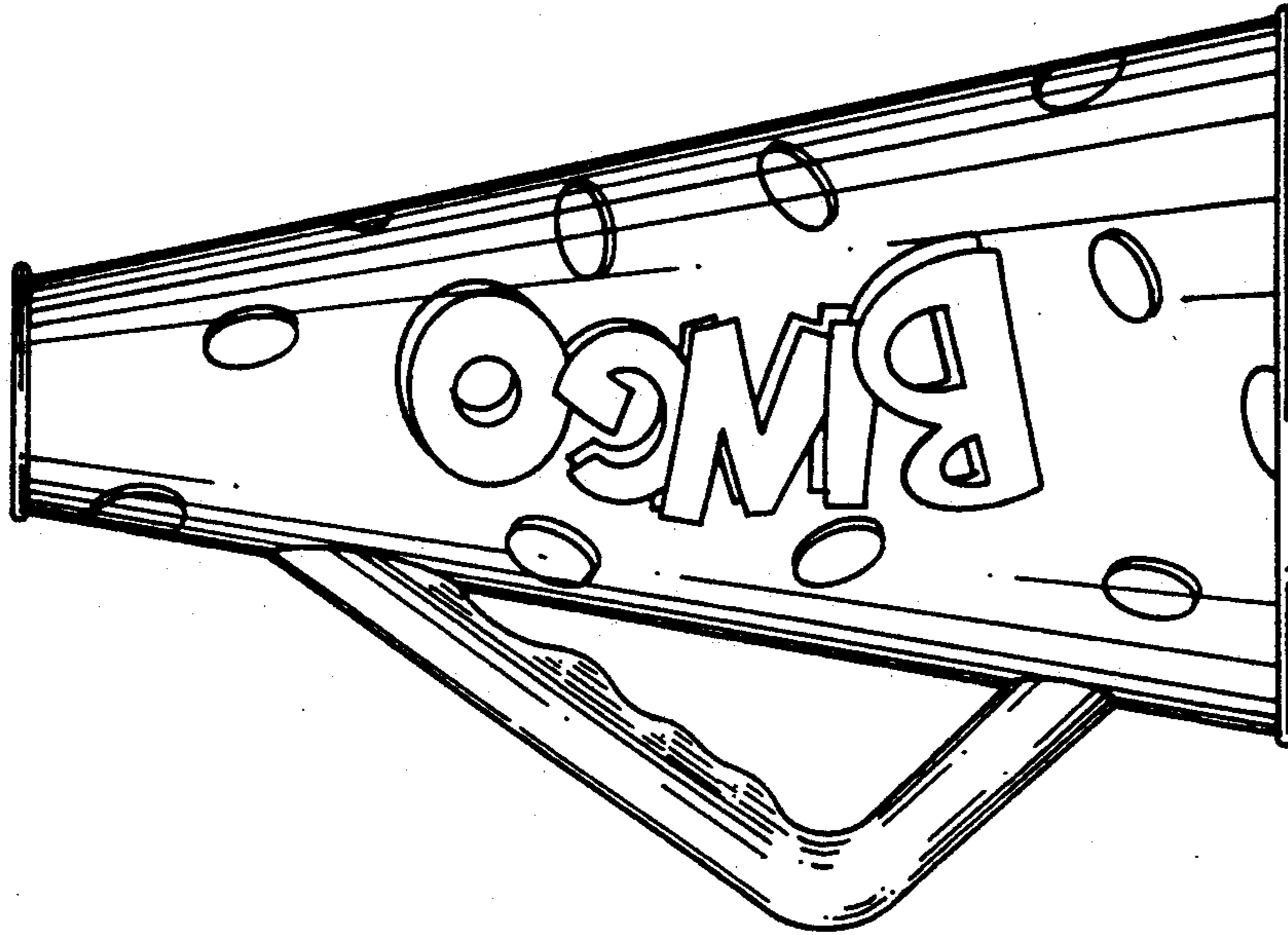


FIG. 3.

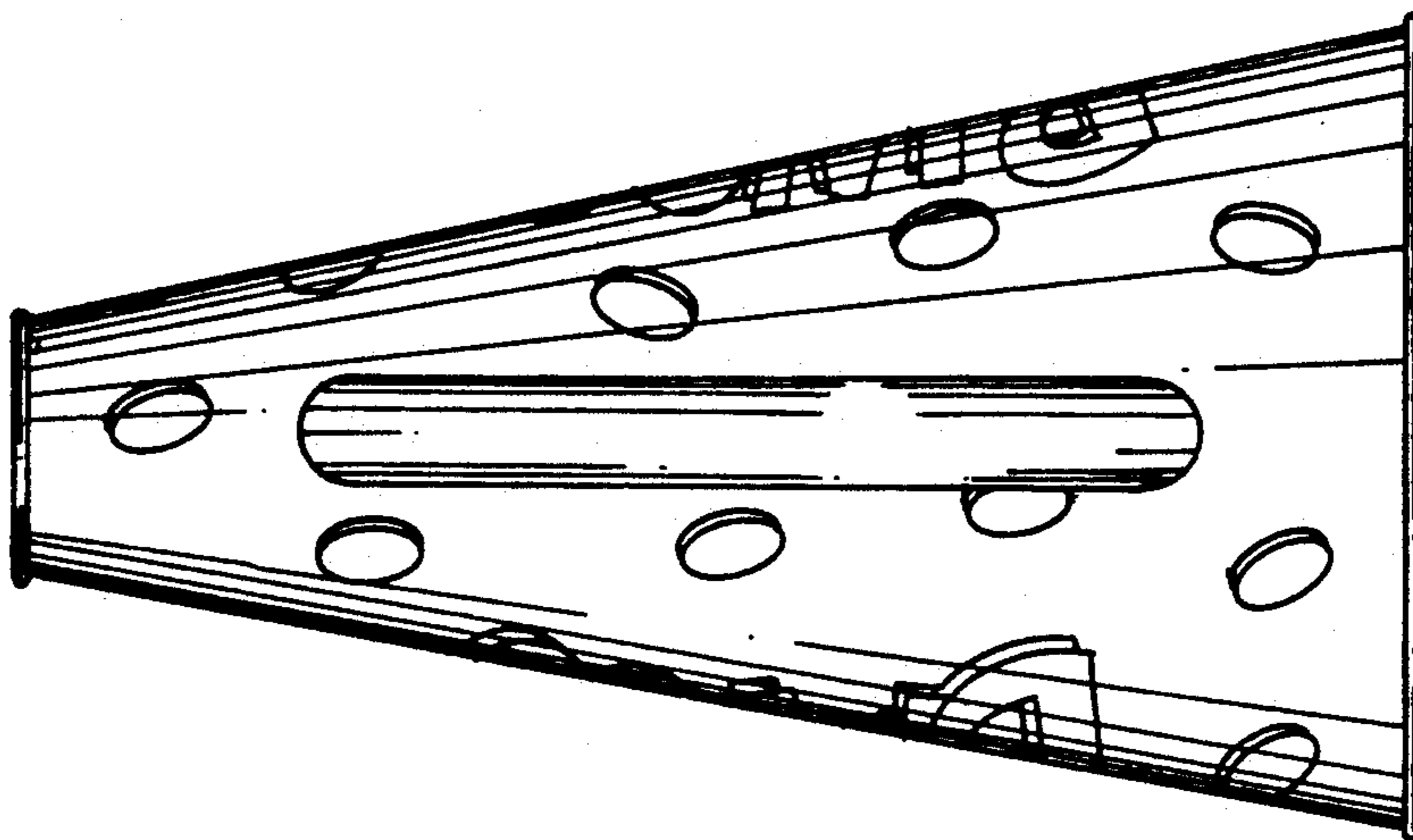


FIG. 4.

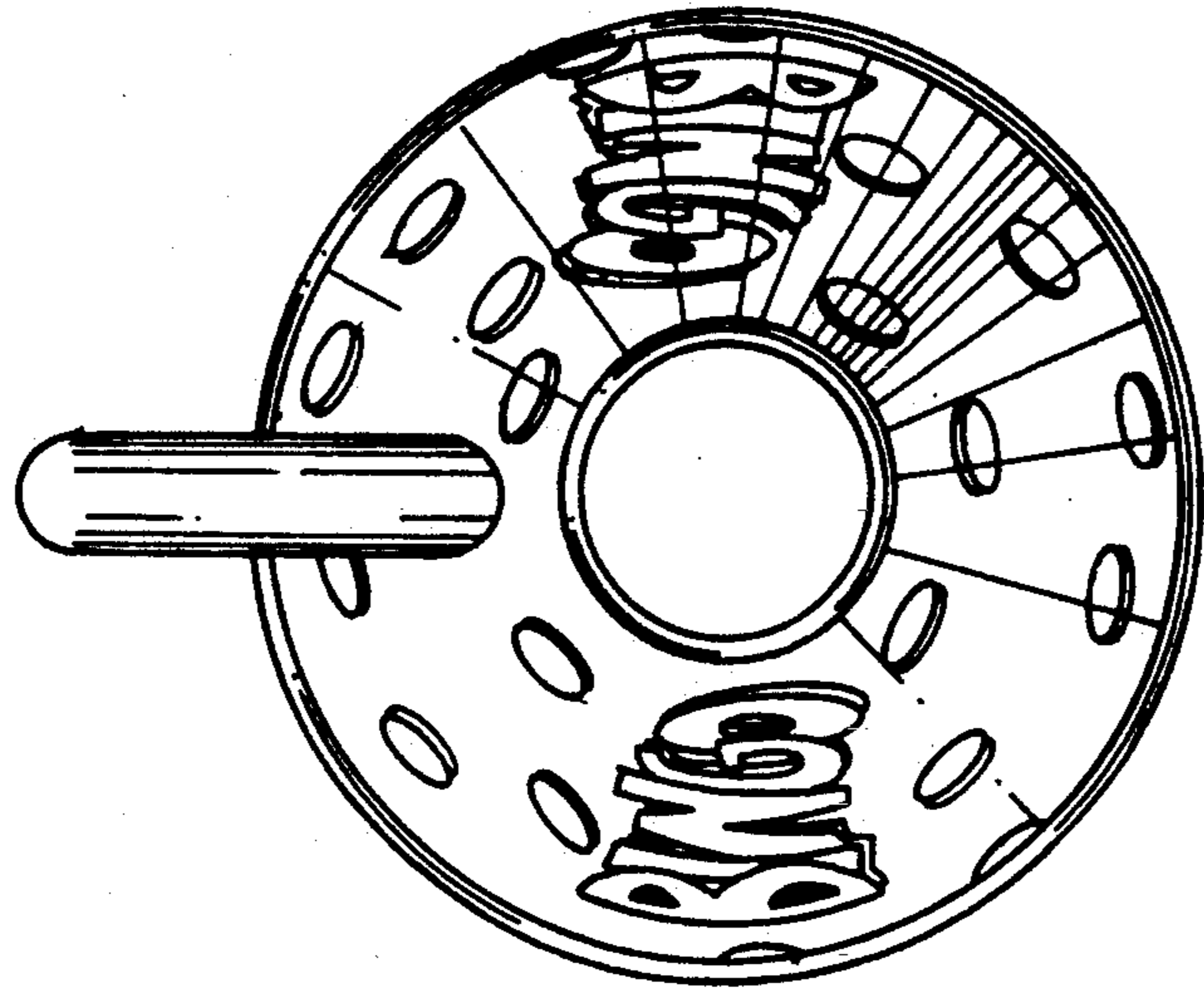


FIG. 5.

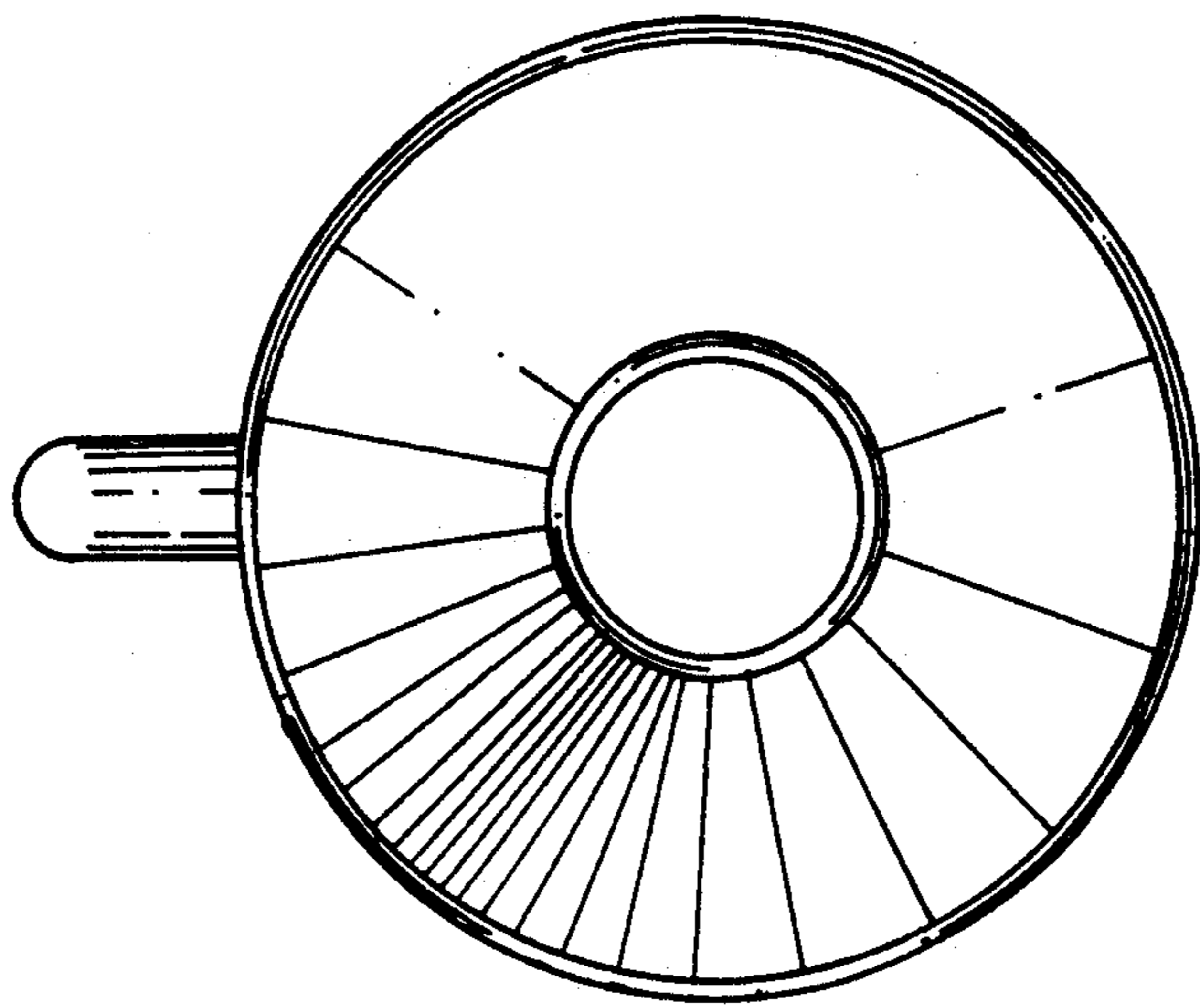


FIG. 6.