



US00D338455S

United States Patent [19]

[11] Patent Number: **Des. 338,455**

Suge

[45] Date of Patent: **** Aug. 17, 1993**

[54] **ELECTRONIC NOTEBOOK FOR DATA**

[75] Inventor: **Yasutaka Suge, Tokyo, Japan**

[73] Assignee: **Kyocera Corporation, Kyoto, Japan**

[**] Term: **14 Years**

[21] Appl. No.: **761,026**

[22] Filed: **Sep. 17, 1991**

[30] **Foreign Application Priority Data**

Mar. 19, 1991 [JP] Japan 3-7893

[52] U.S. Cl. **D14/106; D14/100; D19/27**

[58] Field of Search **D14/100, 106; 340/700, 340/706; 364/708, 709.04, 705.01; 361/390-395; 178/18, 19; D19/27**

[56] **References Cited**

U.S. PATENT DOCUMENTS

- D. 315,549 3/1991 Clough et al. D14/100
- D. 317,151 5/1991 Daly D14/100
- D. 318,859 8/1991 Hollis D14/100
- D. 321,175 10/1991 Tsuchiya D14/100
- 4,765,462 8/1988 Rose, Jr. D19/27 X
- 4,918,632 4/1990 York D14/113 X
- 5,049,862 9/1991 Dao et al. D14/106 X
- 5,067,573 11/1991 Uchida D14/100 X

- 5,105,338 4/1992 Held D14/106 X
- 5,107,401 4/1992 Youn 364/708 X
- 5,109,354 4/1992 Yamashita et al. 364/708

FOREIGN PATENT DOCUMENTS

2368091 6/1978 France 364/705.01

Primary Examiner—Wallace R. Burke
Assistant Examiner—Freda S. Nunn
Attorney, Agent, or Firm—Spensley Horn Jubas & Lubitz

[57] **CLAIM**

The ornamental design for an electronic notebook for data, as shown and described.

DESCRIPTION

FIG. 1 is a top front and right side perspective view of an electronic notebook for data showing my new design;

FIG. 2 is a front elevational view thereof;

FIG. 3 is a rear elevational view thereof;

FIG. 4 is a top plan view thereof;

FIG. 5 is a bottom plan view thereof;

FIG. 6 is a left side elevational view thereof;

FIG. 7 is a right side elevational view thereof; and,

FIG. 8 is a perspective view thereof in the opened position.

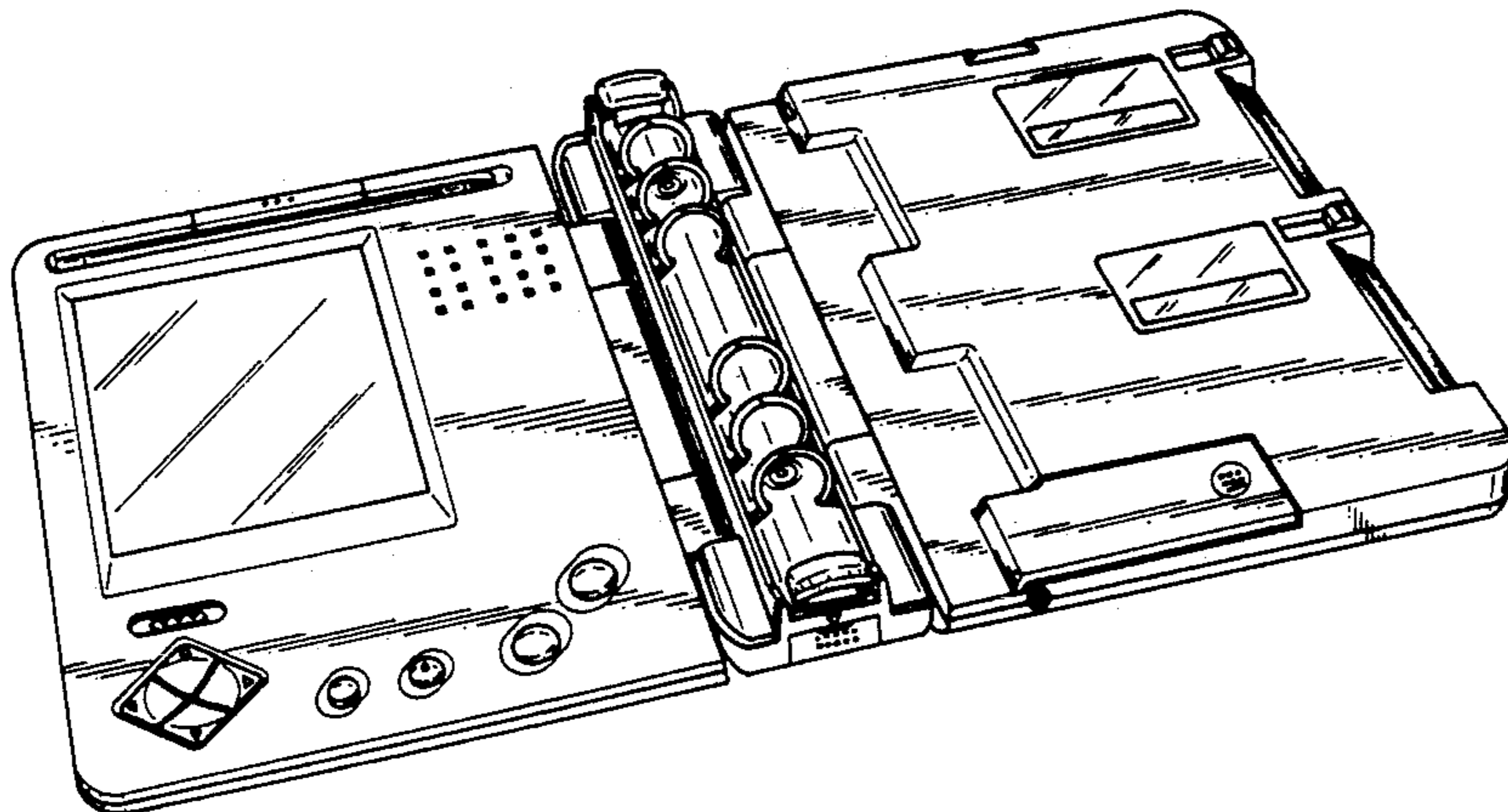
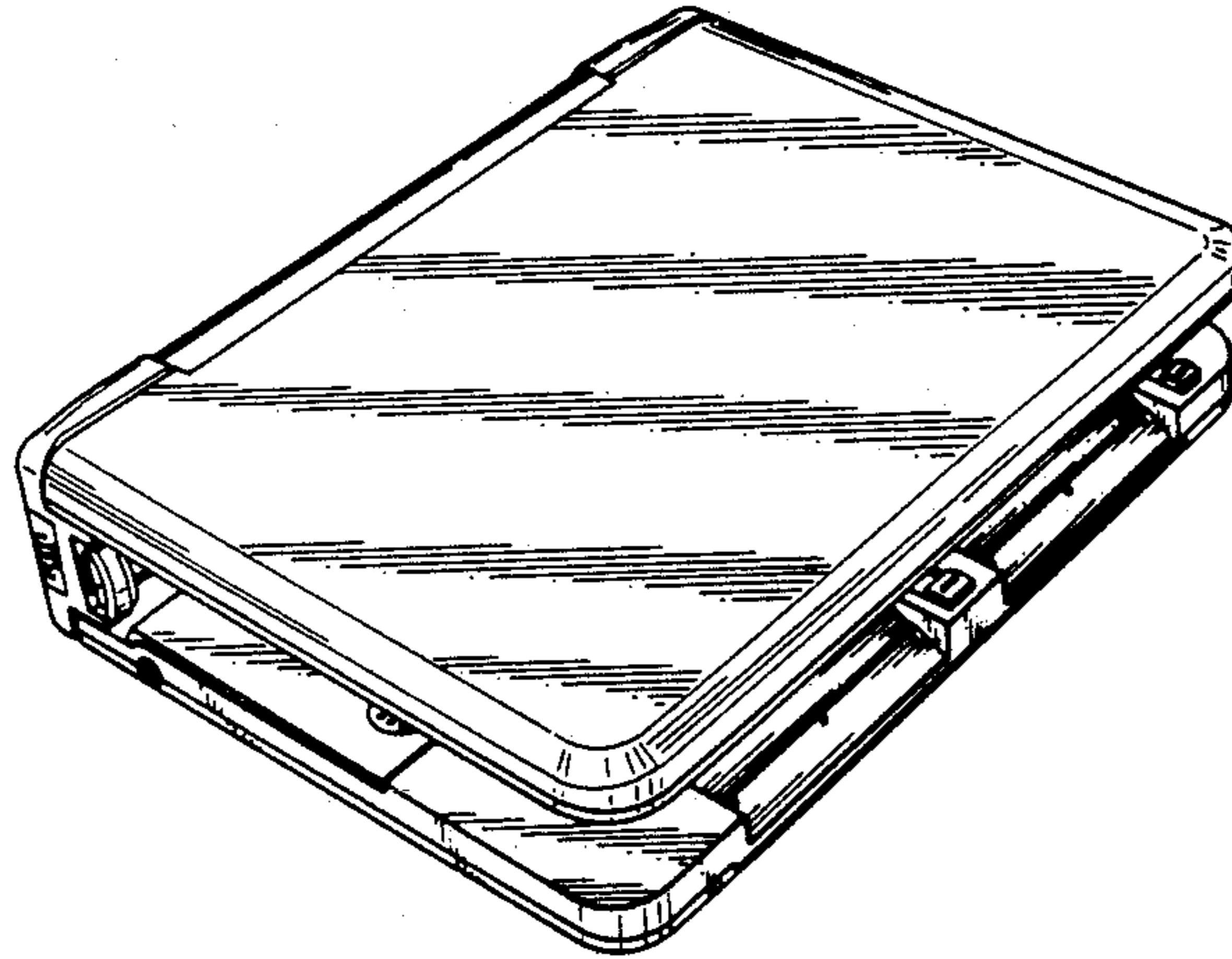


Fig. 1

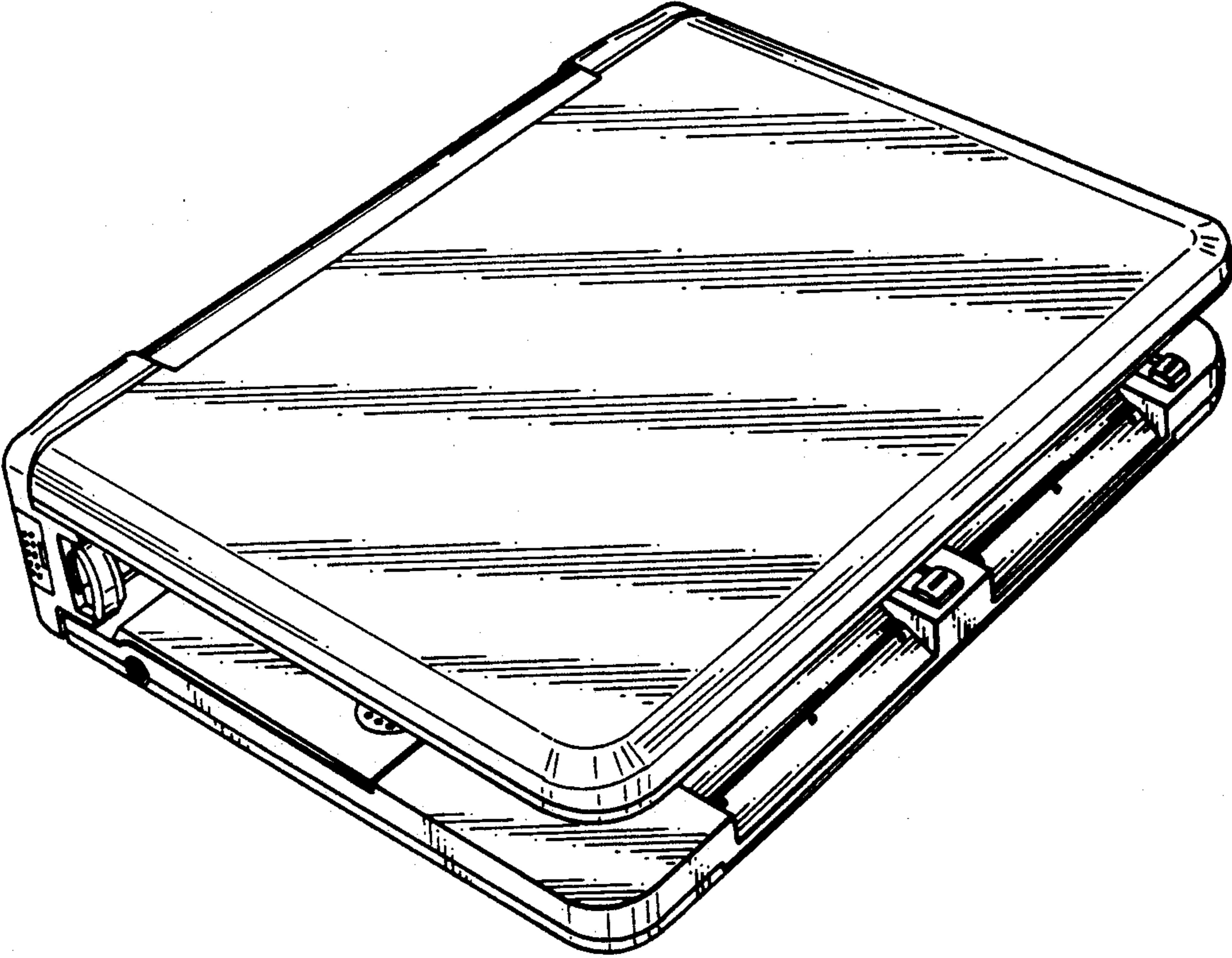


Fig. 2

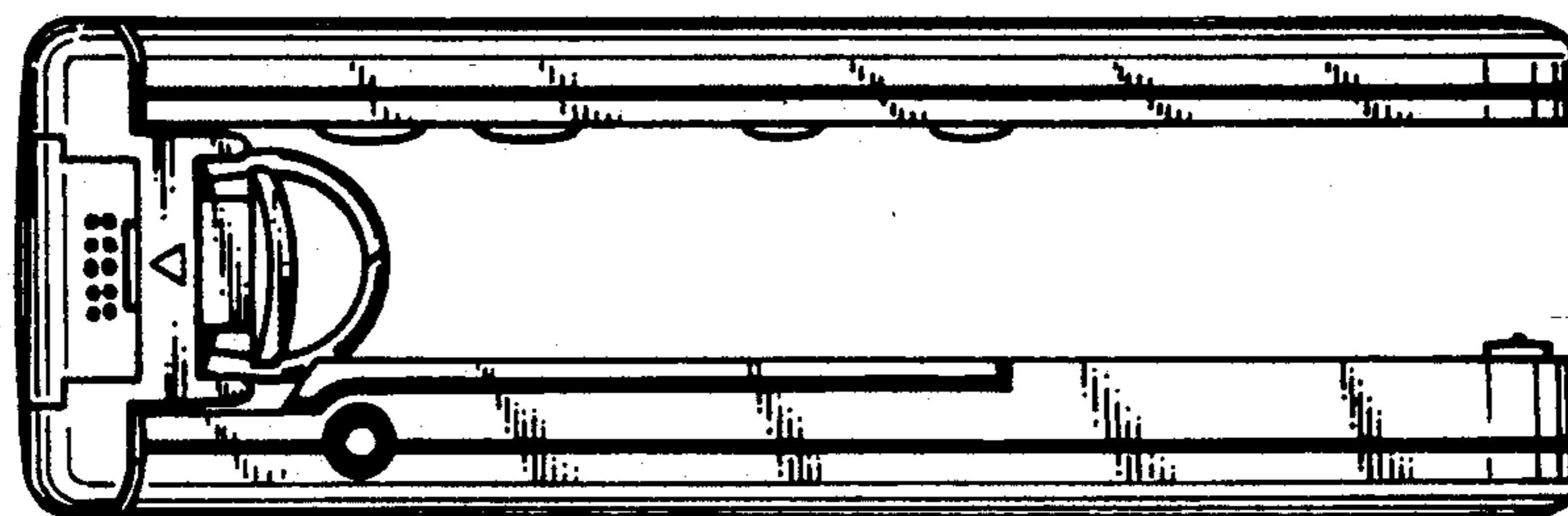


Fig. 3

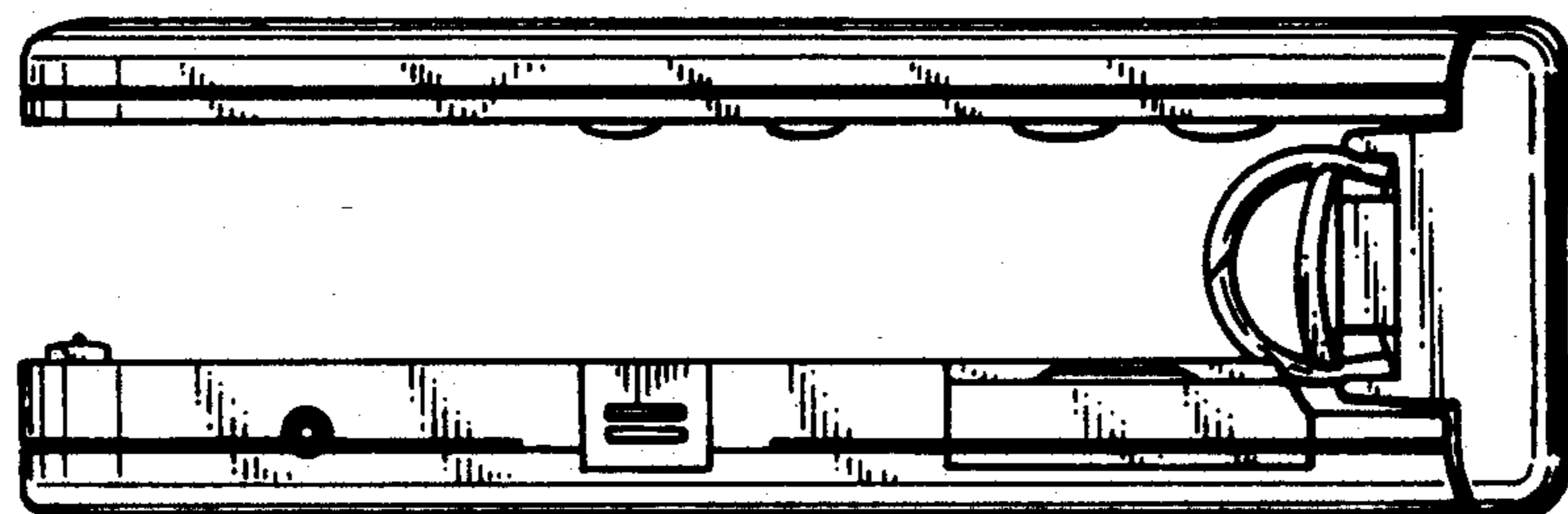


Fig. 4

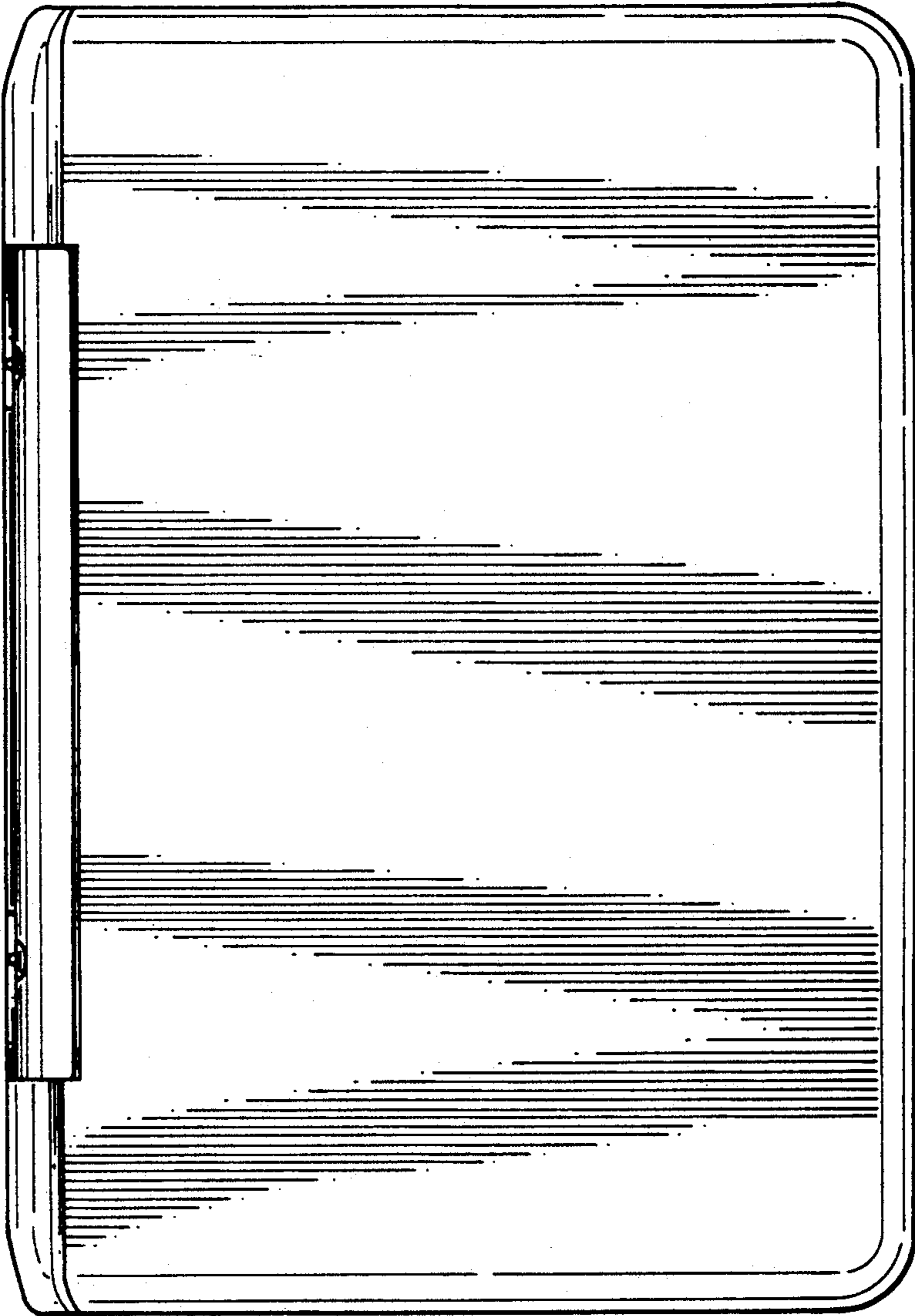


Fig. 5

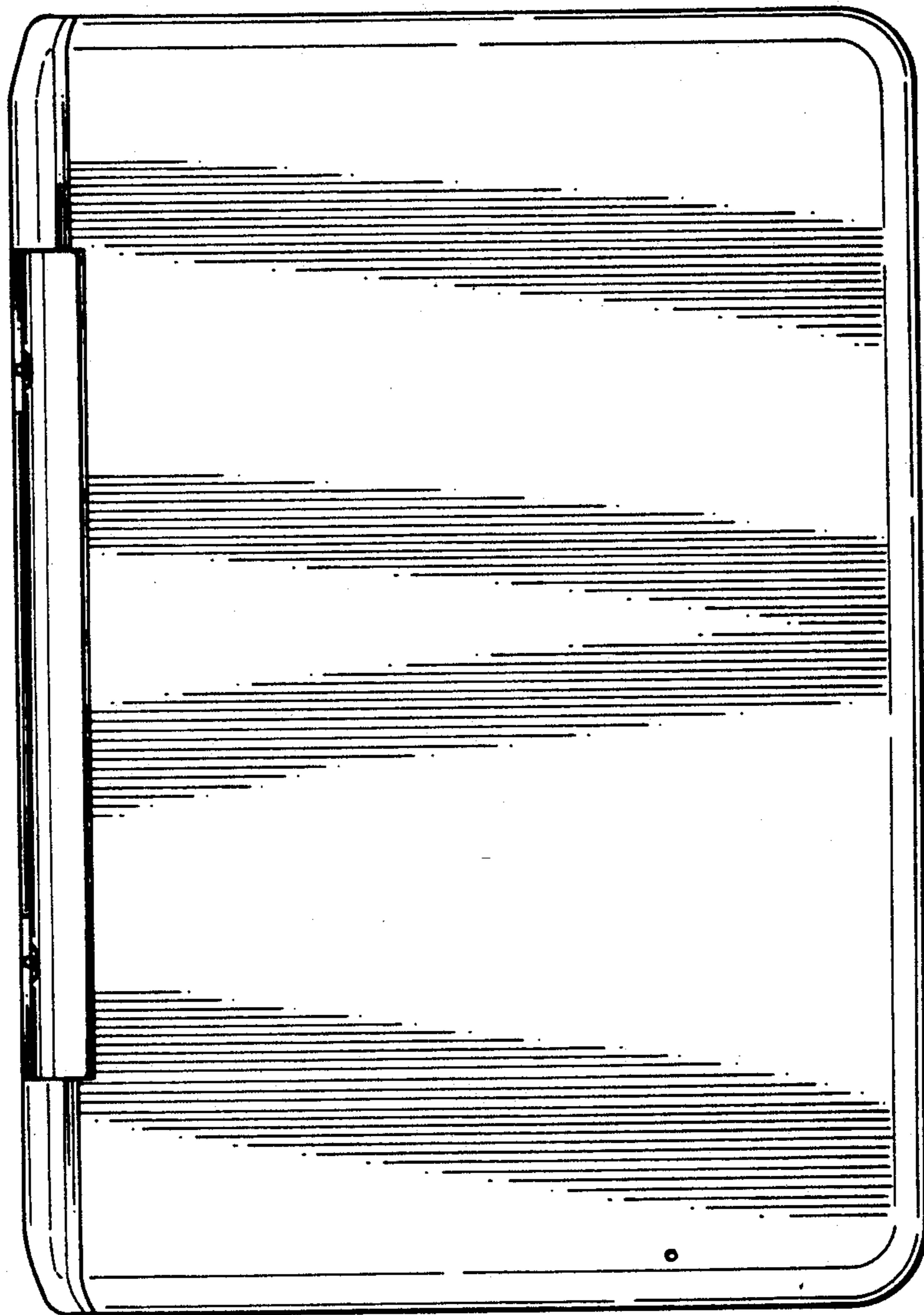


Fig. 6

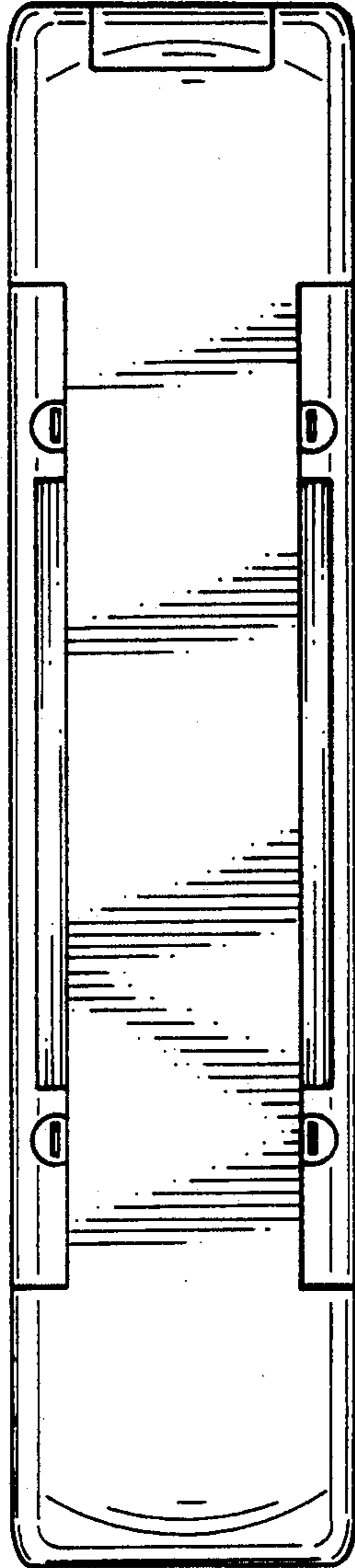


Fig. 7

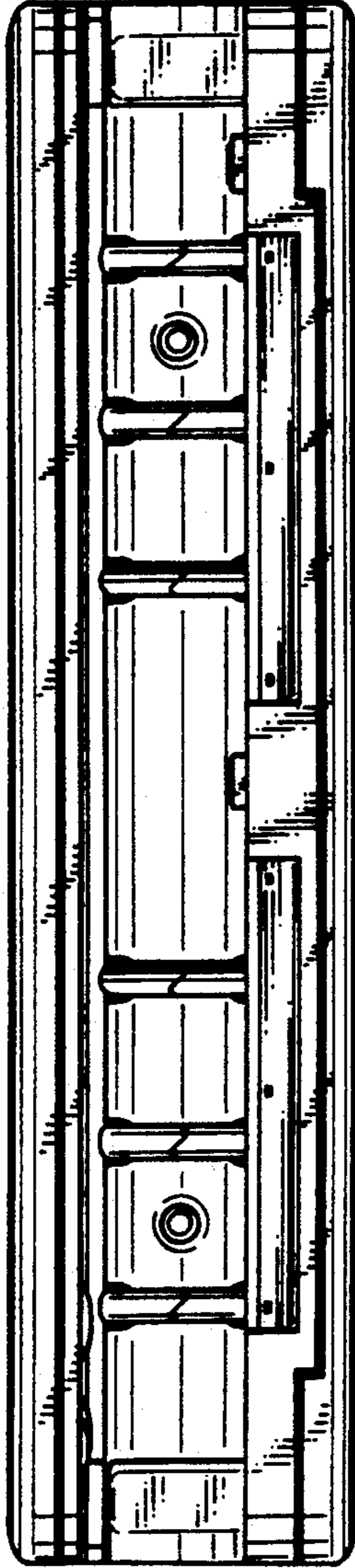


Fig. 8

