



US00D338454S

# United States Patent [19]

[11] Patent Number: **Des. 338,454**

Savio

[45] Date of Patent: **\*\* Aug. 17, 1993**

[54] **COUNTERTOP PROCESSOR**

[75] Inventor: **Dino M. Savio, Clearwater, Fla.**

[73] Assignee: **International Business Machines Corporation, Armonk, N.Y.**

[\*\*] Term: **14 Years**

[21] Appl. No.: **1,146**

[22] Filed: **Oct. 23, 1992**

D. 308,857	6/1990	Bianco .....	D14/100
D. 310,212	8/1990	Forsythe .....	D14/106
D. 319,251	8/1991	Ishida et al. ....	D18/4
D. 320,036	9/1991	Chen .....	D18/4
5,113,060	5/1992	Wike, Jr. et al. ....	235/383

**OTHER PUBLICATIONS**

Office Products May 1979 p. 88 Electronic Cash Register.

*Primary Examiner*—Wallace R. Burke  
*Assistant Examiner*—Freda S. Nunn  
*Attorney, Agent, or Firm*—Romualdas Strimaitis

**Related U.S. Application Data**

[62] Division of Ser. No. 524,761, May 15, 1990.

[52] U.S. Cl. .... **D14/105; D18/4**

[58] Field of Search ..... **D14/100, 105, 106, 113, D14/101, 115, 107; D18/1, 4, 7; 235/145 A, 145 R, 7 R, 2, 6, 383; 364/405, 706-708; 340/700, 706; 341/22, 23; 361/390; 194/205**

[57] **CLAIM**

The ornamental design for countertop processor, as shown and described.

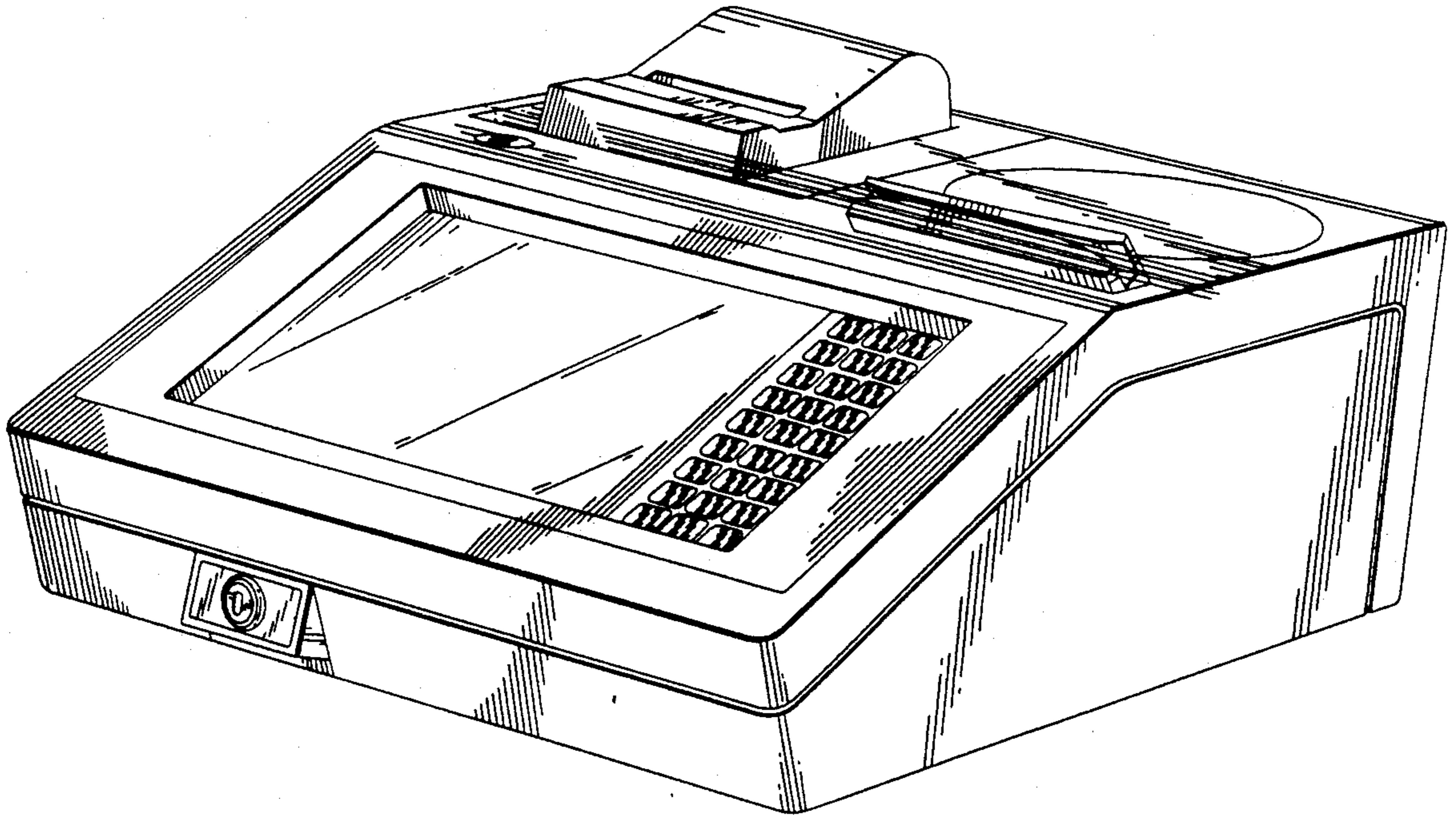
**DESCRIPTION**

FIG. 1 is a right front perspective view of a countertop processor showing my new design; FIG. 2 is a left rear perspective view thereof; FIG. 3 is a right side view thereof; FIG. 4 is a front view thereof; FIG. 5 is a left side view thereof; and, FIG. 6 is a rear view thereof. FIGS. 3-6 are drawn on a slightly enlarged scale.

[56] **References Cited**

**U.S. PATENT DOCUMENTS**

D. 260,990	9/1981	Williams .....	D14/105
D. 269,623	7/1983	Kato et al. ....	D14/105 X
D. 303,537	9/1989	Kato et al. ....	D18/4
D. 304,444	11/1989	Ikeya .....	D14/105



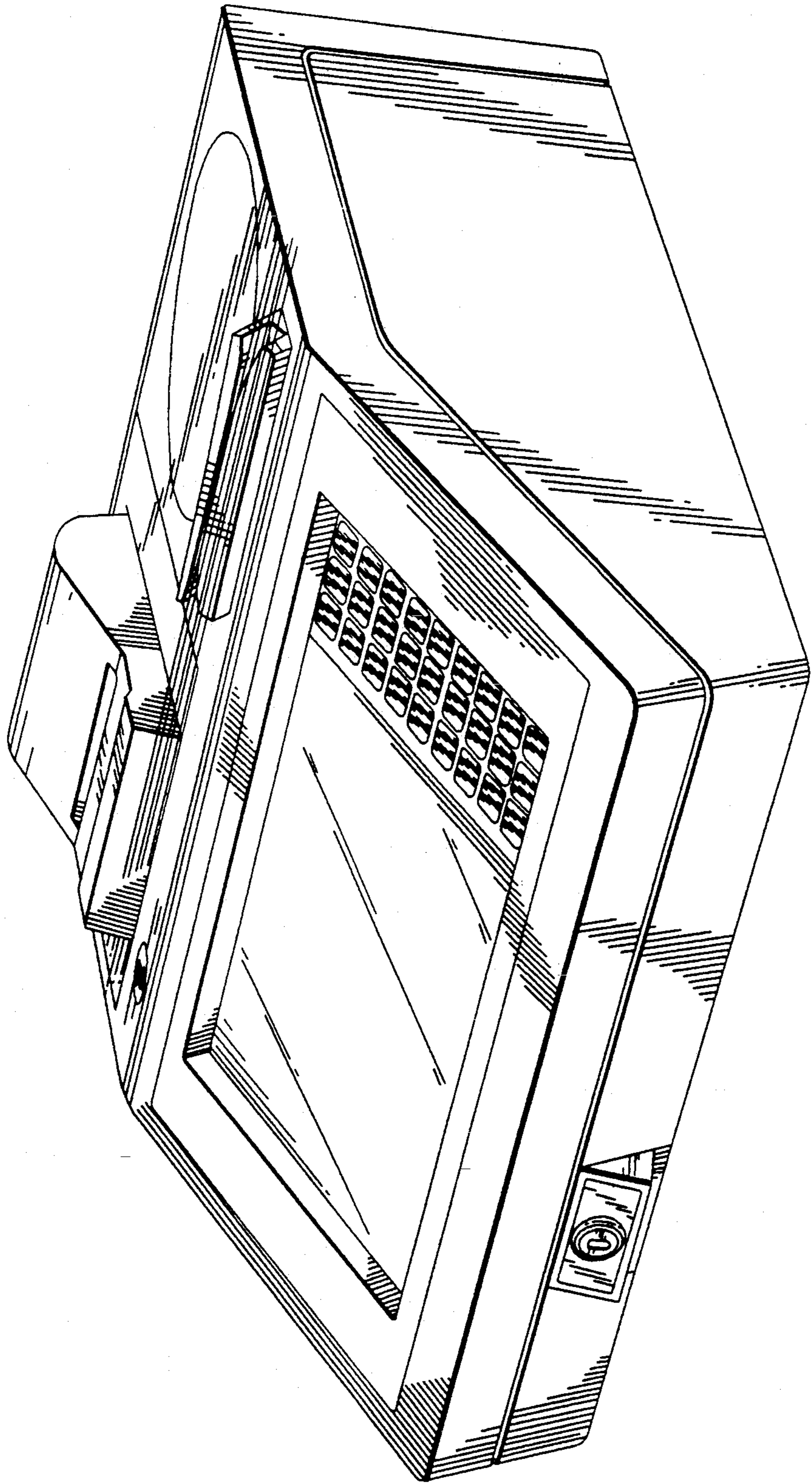


FIG. 1

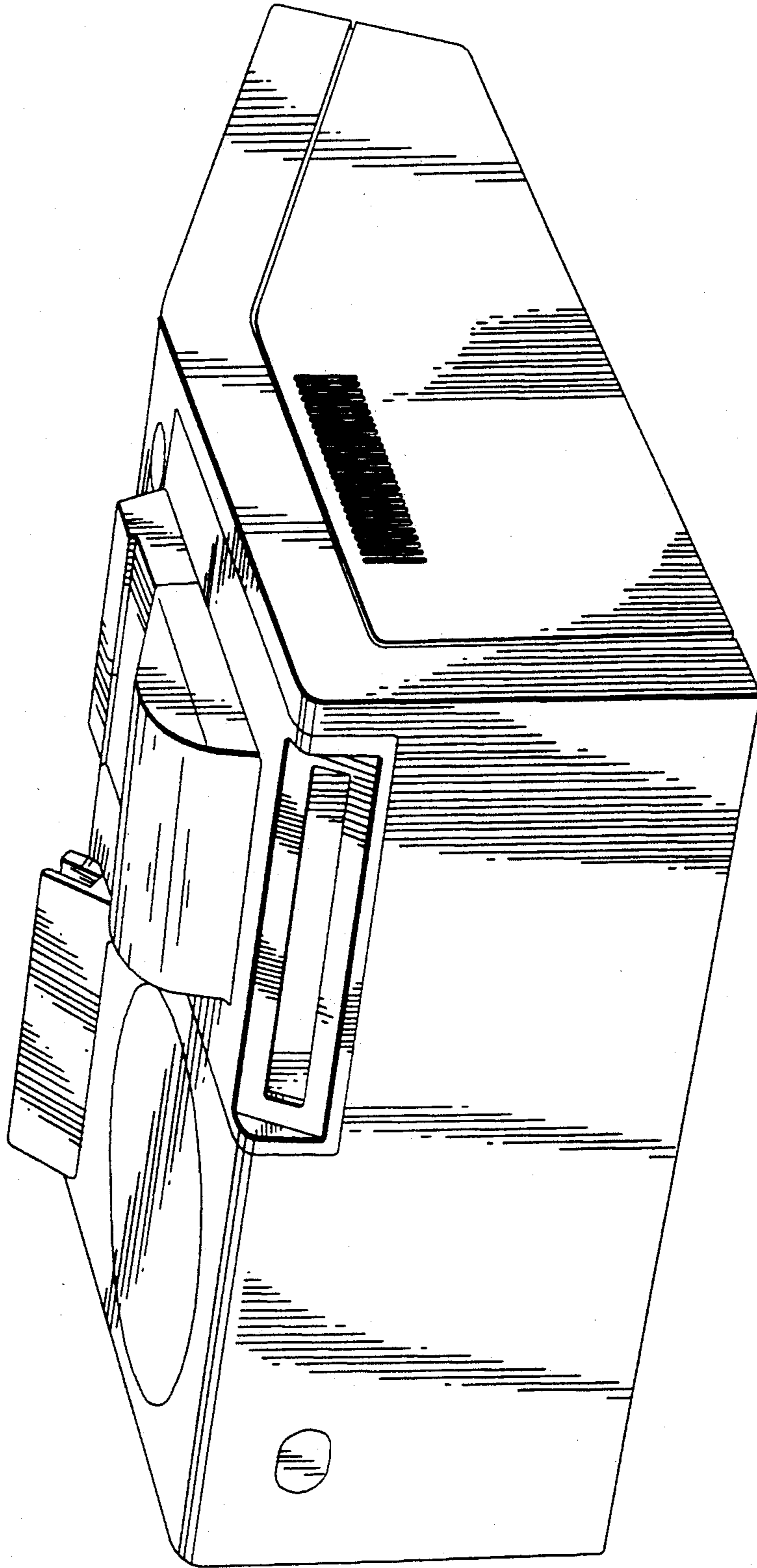


FIG. 2

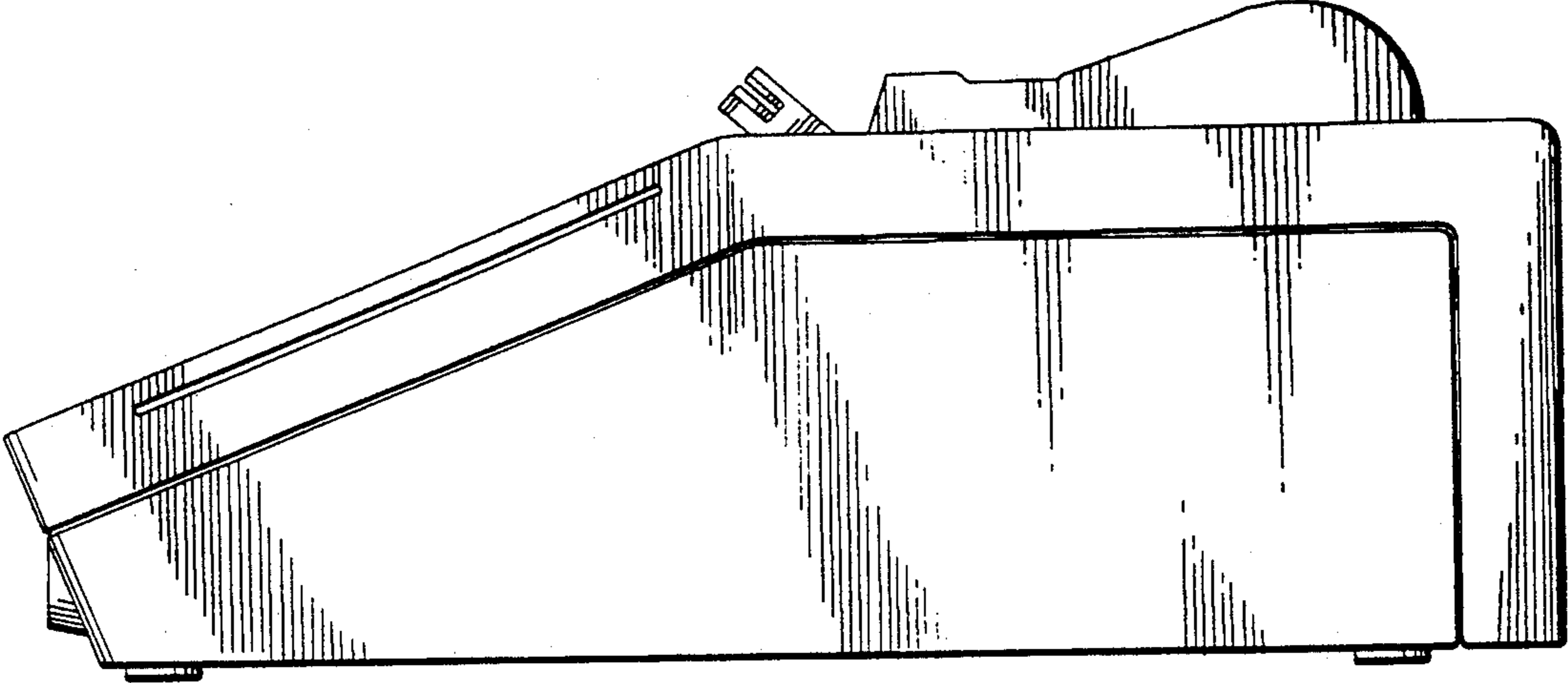


FIG. 3

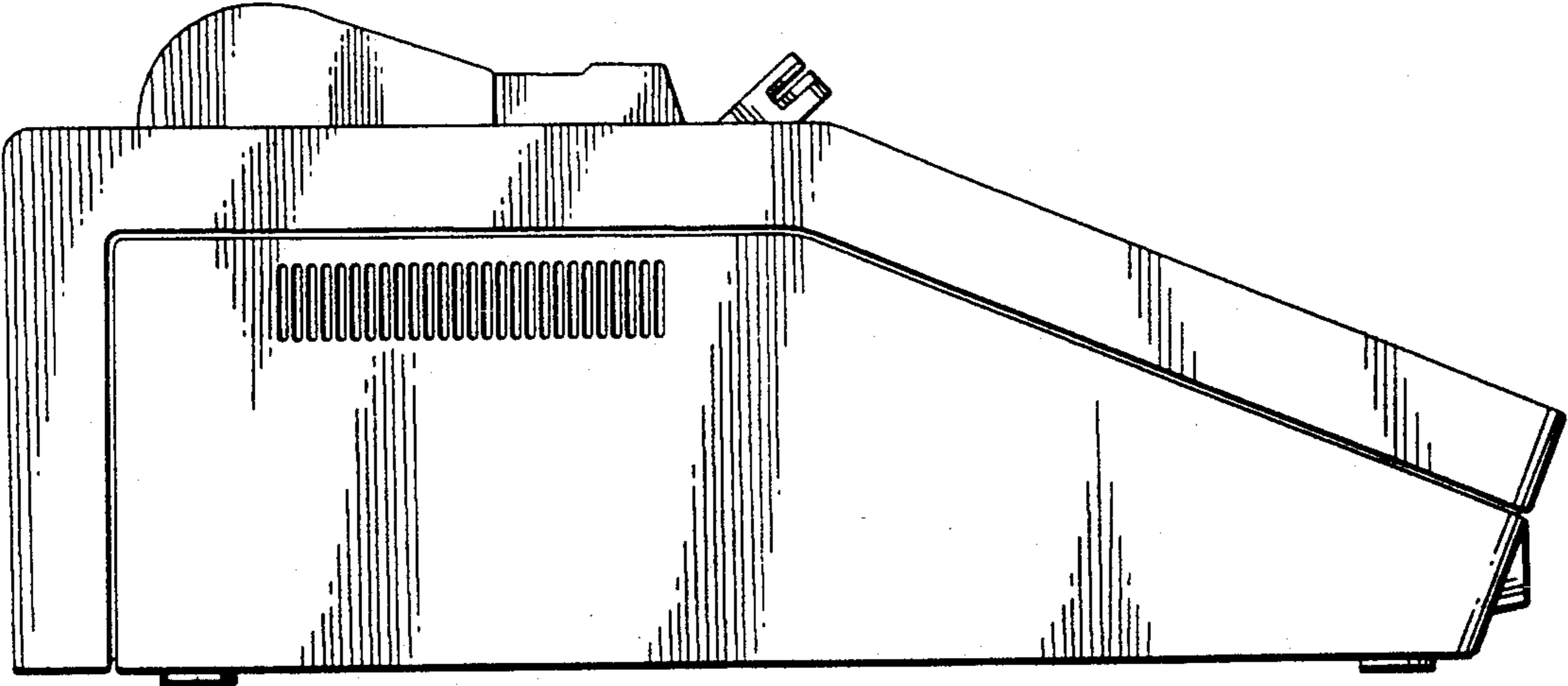


FIG. 5

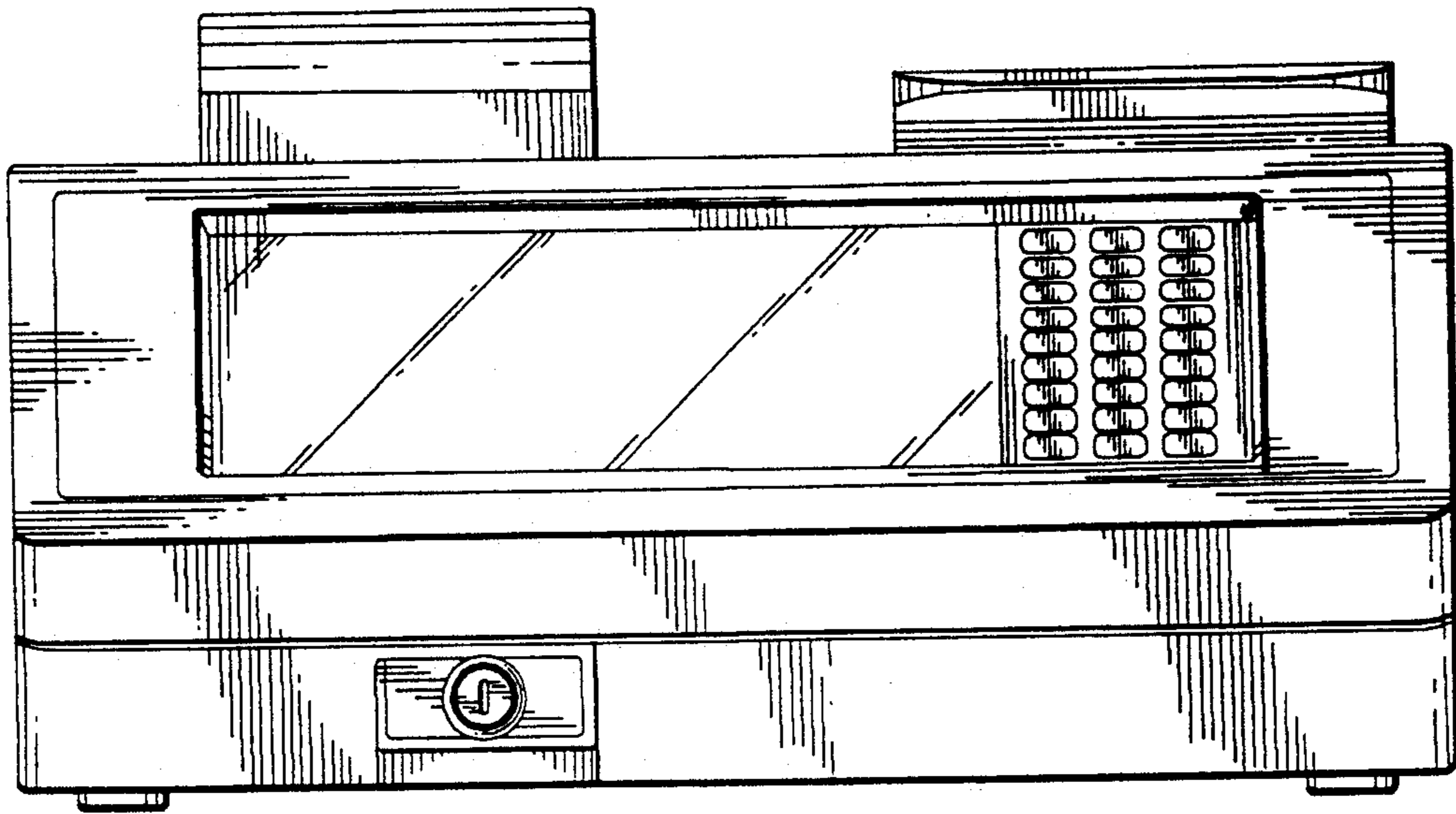


FIG. 4

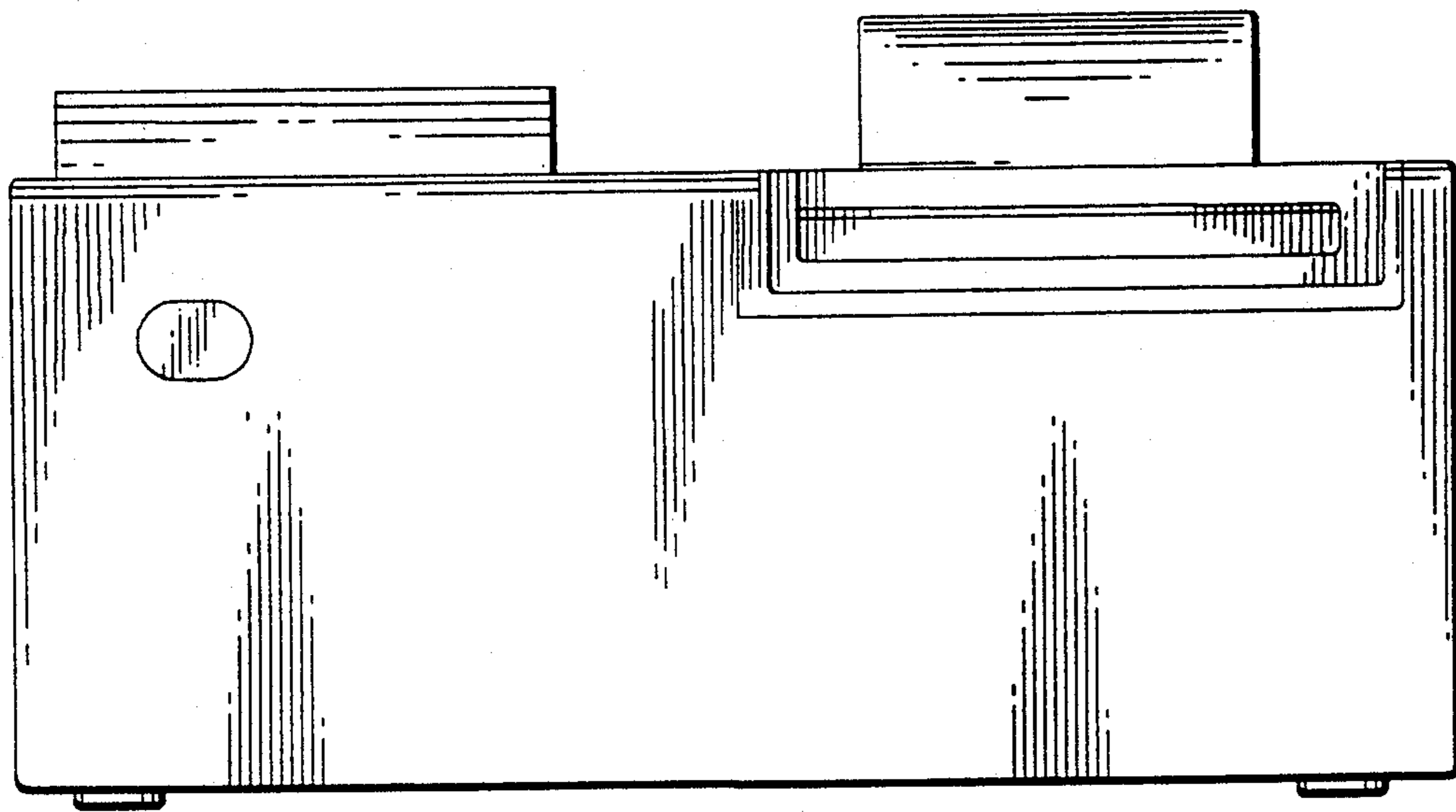


FIG. 6