



US00D338452S

# United States Patent [19]

[11] Patent Number: **Des. 338,452**

Allgeier

[45] Date of Patent: **\*\* Aug. 17, 1993**

[54] **COMBINED IMAGE DISPLAY AND IMAGE CAPTURE UNIT**

[75] Inventor: **David M. J. Allgeier, Cumberland, Ohio**

[73] Assignee: **NCR Corporation, Dayton, Ohio**

[\*\*] Term: **14 Years**

[21] Appl. No.: **639,168**

[22] Filed: **Jan. 9, 1991**

[52] U.S. Cl. .... **D14/100**

[58] Field of Search ..... **D14/100, 105, 106, 107, D14/113, 114; D18/4, 12; 340/700, 706, 707, 709; 335/7 R, 3, 4, 380-388, 378, 379; 178/18, 19; 364/404, 405; 382/13, 57**

[56] **References Cited**

**U.S. PATENT DOCUMENTS**

D. 289,291	4/1987	Kapper	.....	D14/100
D. 303,111	8/1989	Paley	.....	D14/100
D. 307,134	4/1990	Makidera	.....	D14/100
D. 308,364	6/1990	Beasley, Jr. et al.	.....	D14/100 X
D. 312,625	12/1990	Wetzel	.....	D18/4 X
D. 321,172	10/1991	Moore, IV et al.	.....	D14/100
D. 321,174	10/1991	Tsuchiya	.....	D14/100
4,481,412	11/1984	Fields	.....	235/383 X
4,720,785	1/1988	Shapiro	.....	235/378 X
4,972,496	11/1990	Sklarew	.....	D14/100 X
5,107,541	4/1992	Hilton	.....	178/18 X R

**FOREIGN PATENT DOCUMENTS**

803268 12/1990 Japan ..... D14/100

*Primary Examiner*—Wallace R. Burke  
*Assistant Examiner*—Freda S. Nunn  
*Attorney, Agent, or Firm*—Albert L. Sessler, Jr.

[57] **CLAIM**

The ornamental design for a combined image display and input capture unit, as shown and described.

**DESCRIPTION**

FIG. 1 is a right front perspective view of a combined image display and image capture unit showing my new design;  
FIG. 2 is a right side elevational view thereof;  
FIG. 3 is a left side elevational view thereof;  
FIG. 4 is a top plan view thereof;  
FIG. 5 is a front elevational view thereof;  
FIG. 6 is a rear elevational view thereof;  
FIG. 7 is a bottom plan view thereof;  
FIG. 8 is a right front perspective view of a second embodiment thereof;  
FIG. 9 is a right side elevational view thereof;  
FIG. 10 is a left side elevational view thereof;  
FIG. 11 is a top plan view thereof;  
FIG. 12 is a front elevational view thereof;  
FIG. 13 is a rear elevational view thereof; and,  
FIG. 14 is a bottom plan view thereof.

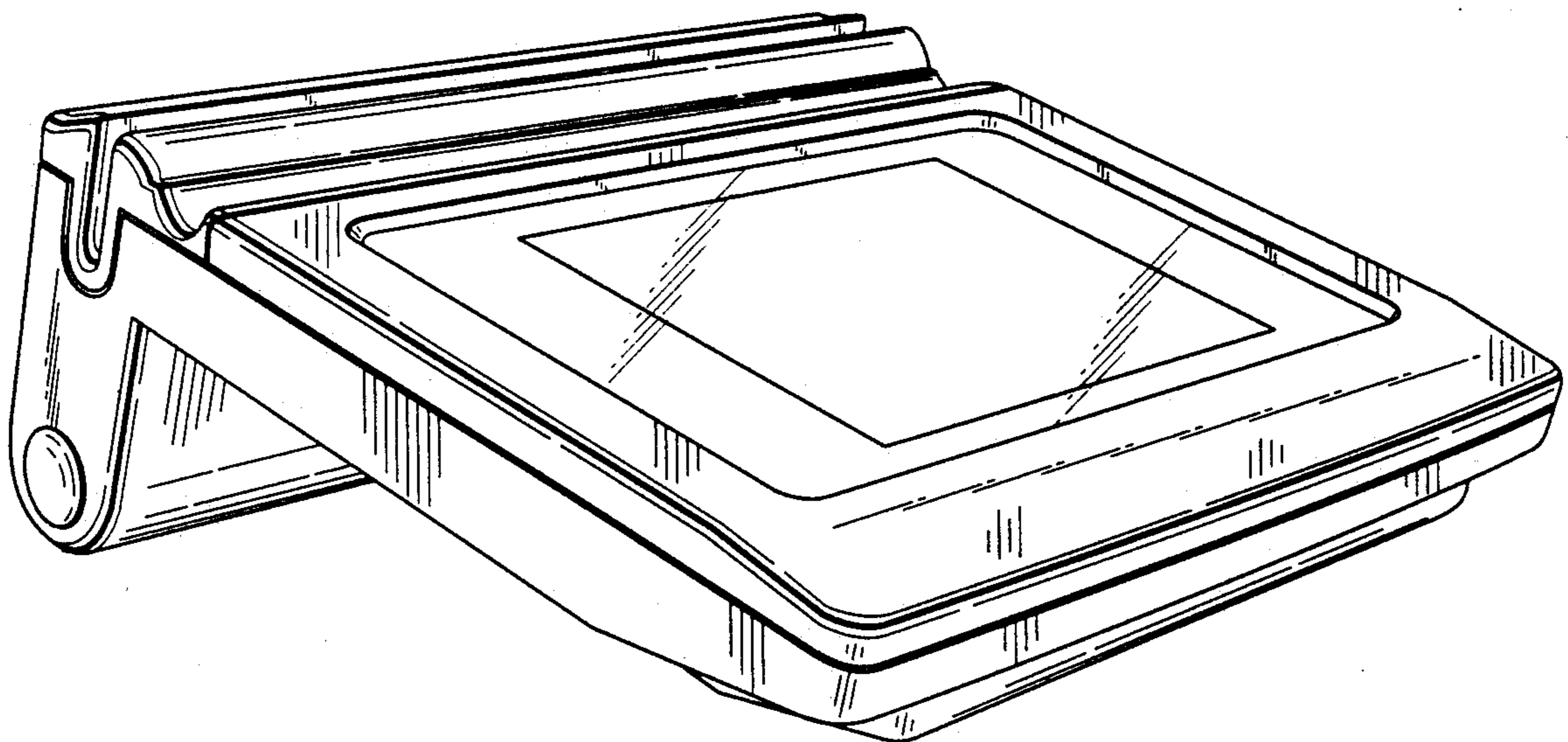
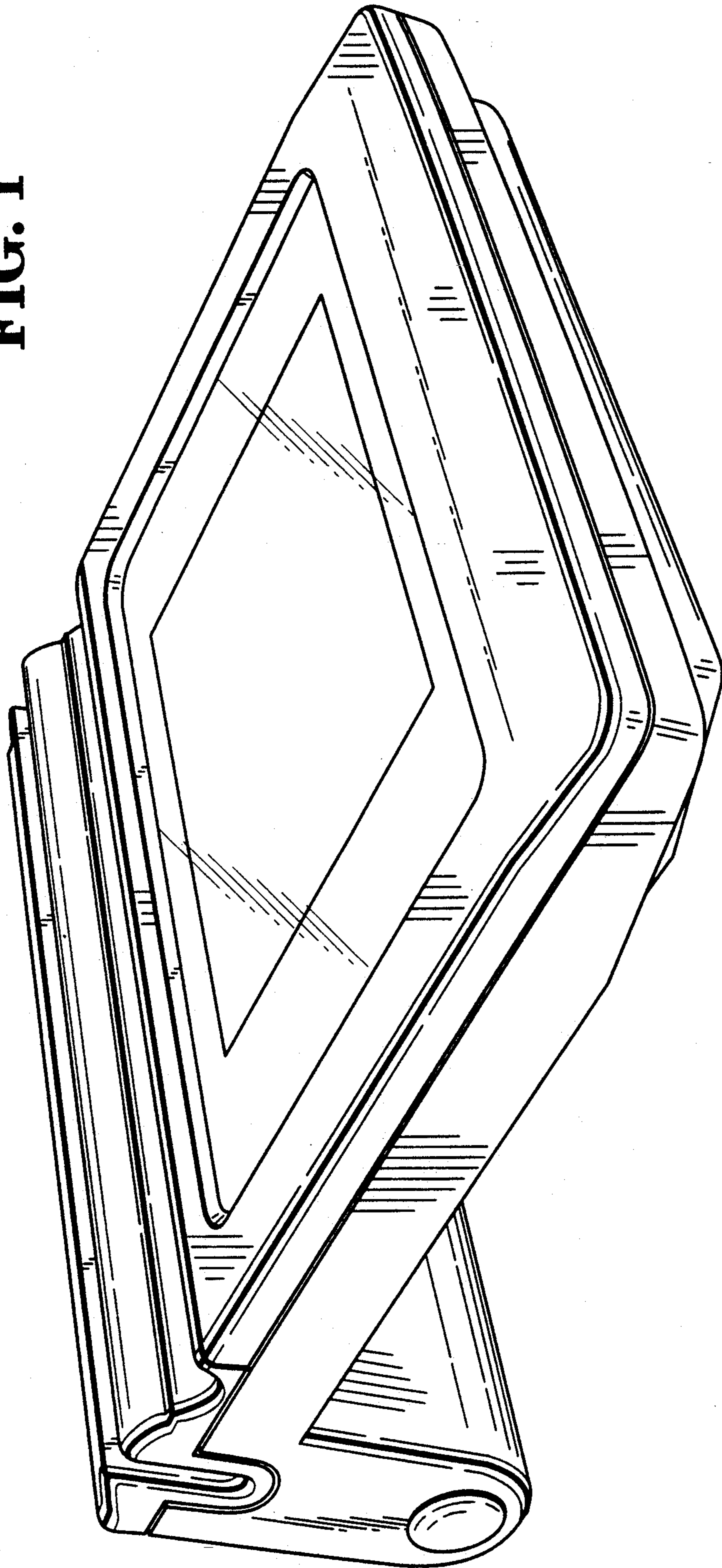
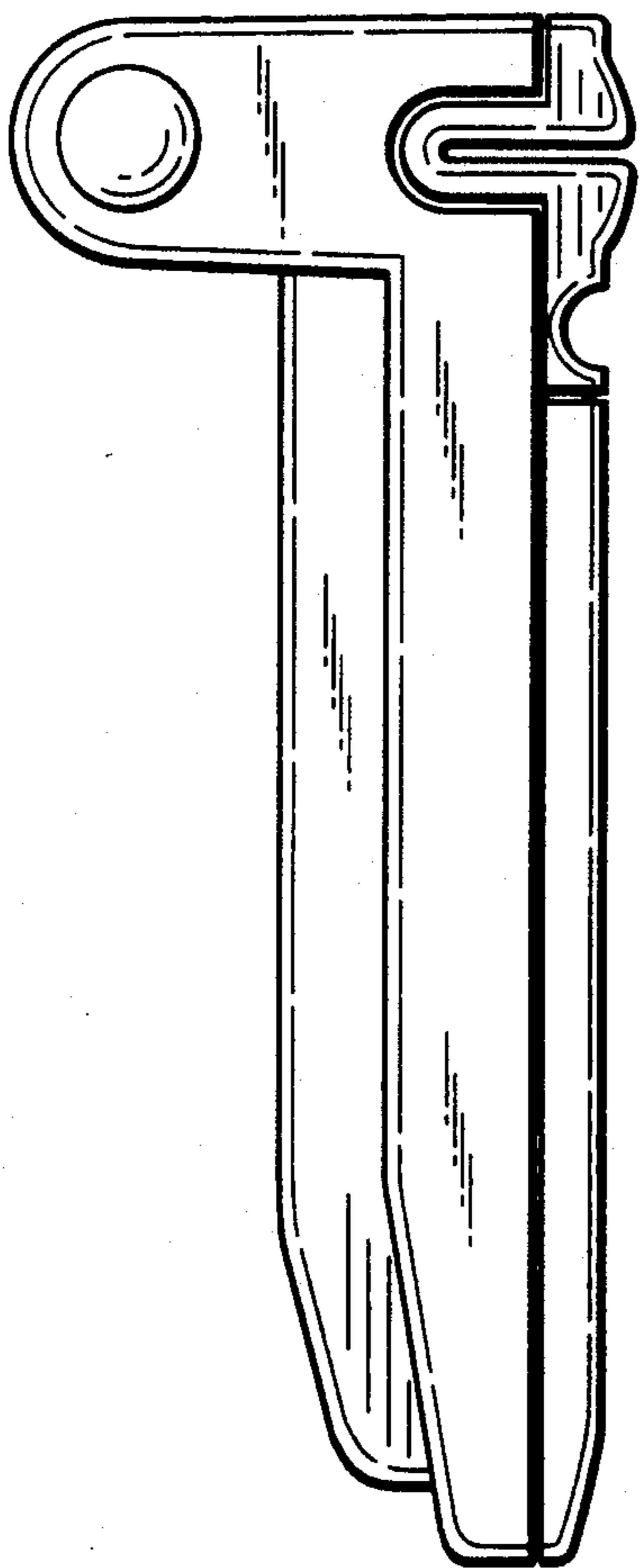


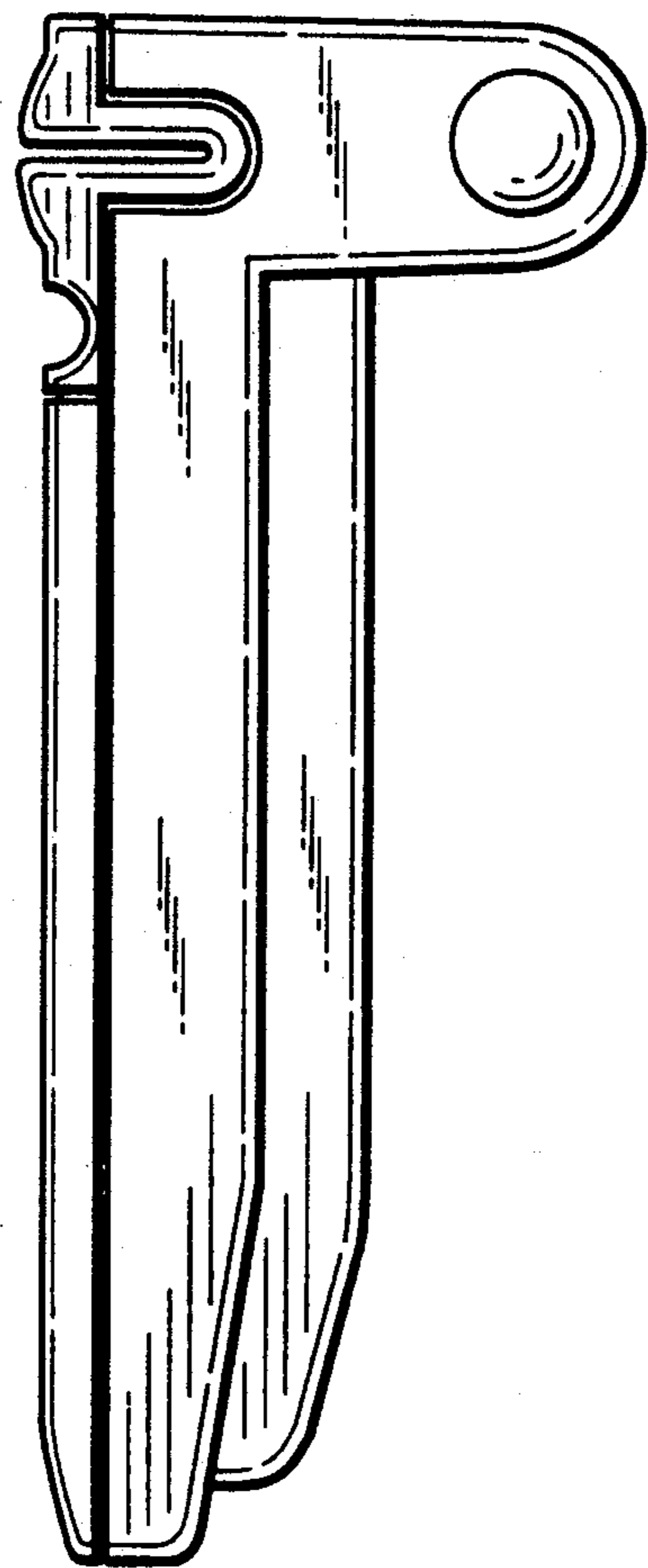
FIG. 1



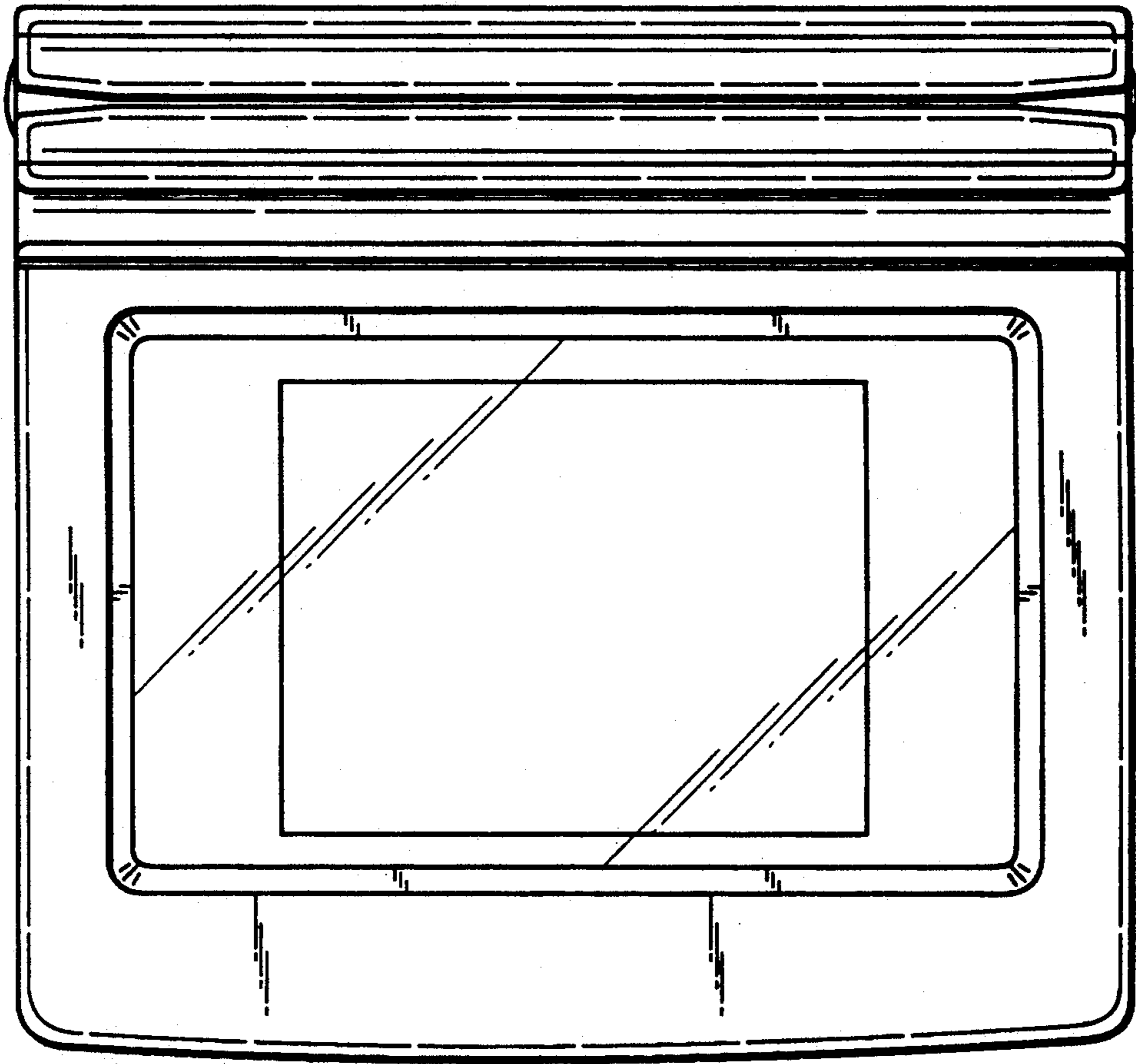
**FIG. 2**



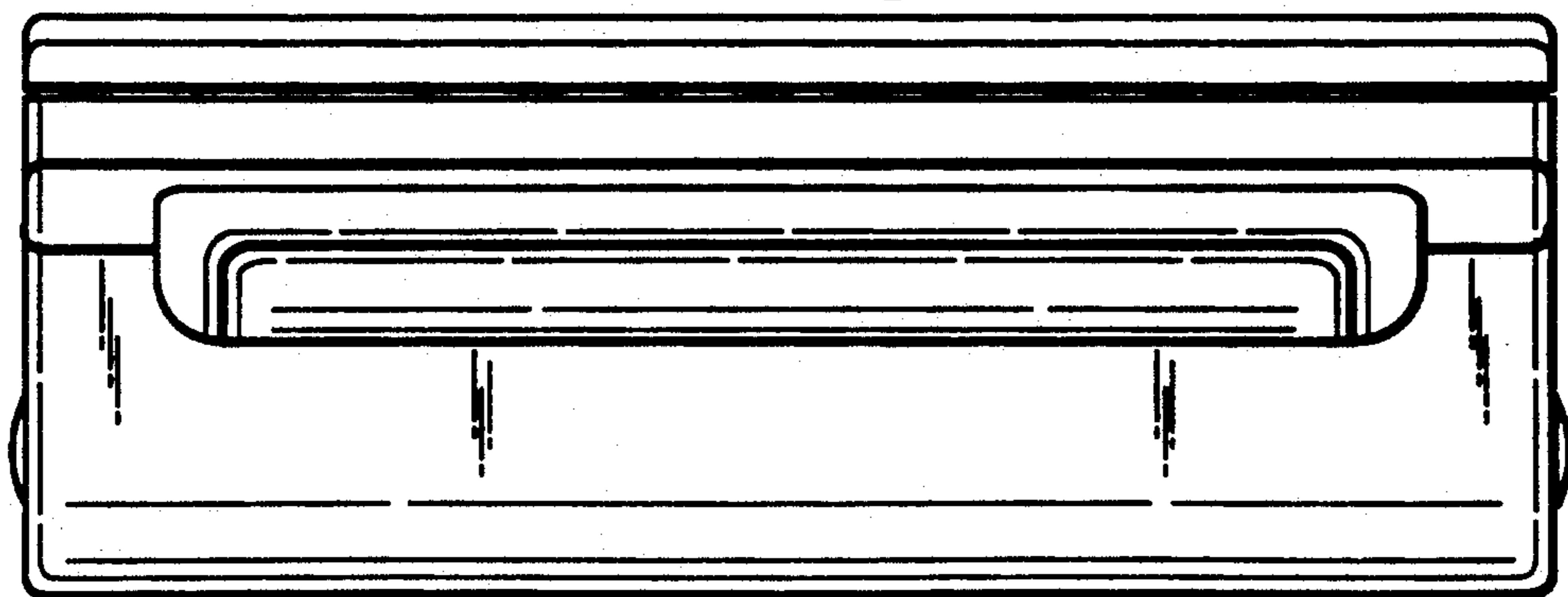
**FIG. 3**



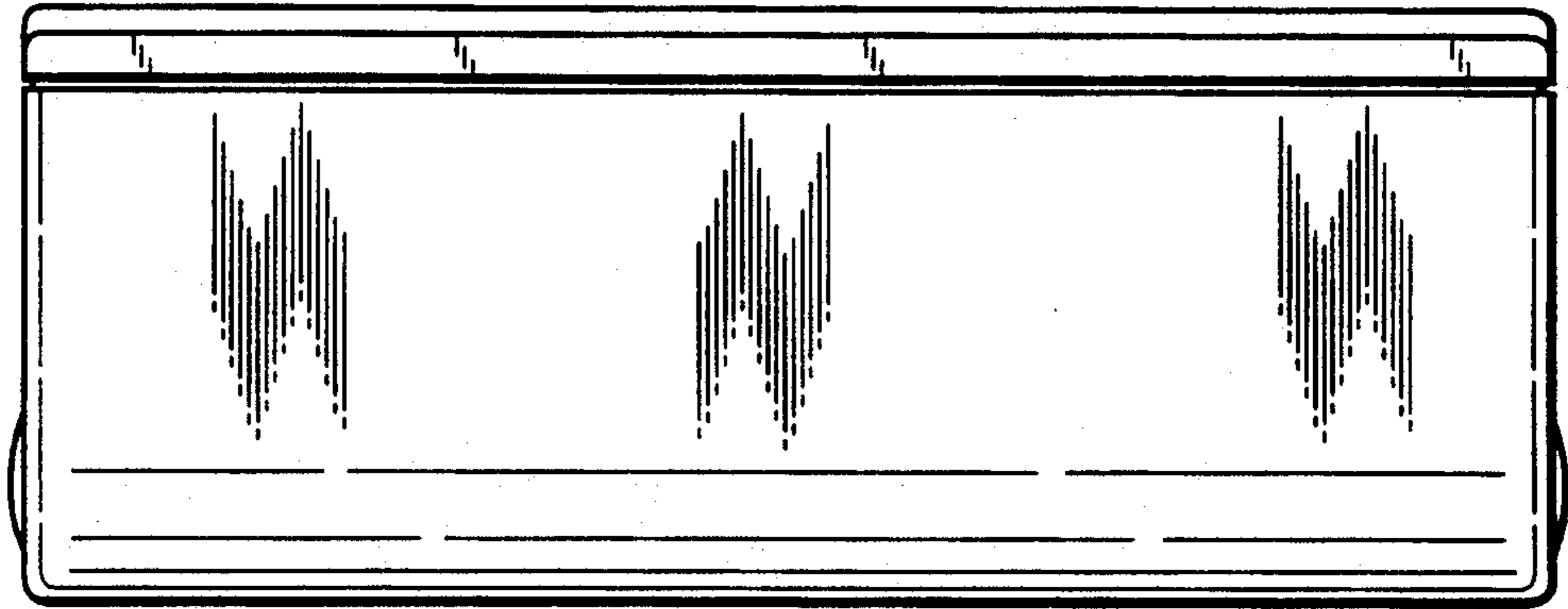
**FIG. 4**



**FIG. 5**



**FIG. 6**



**FIG. 7**

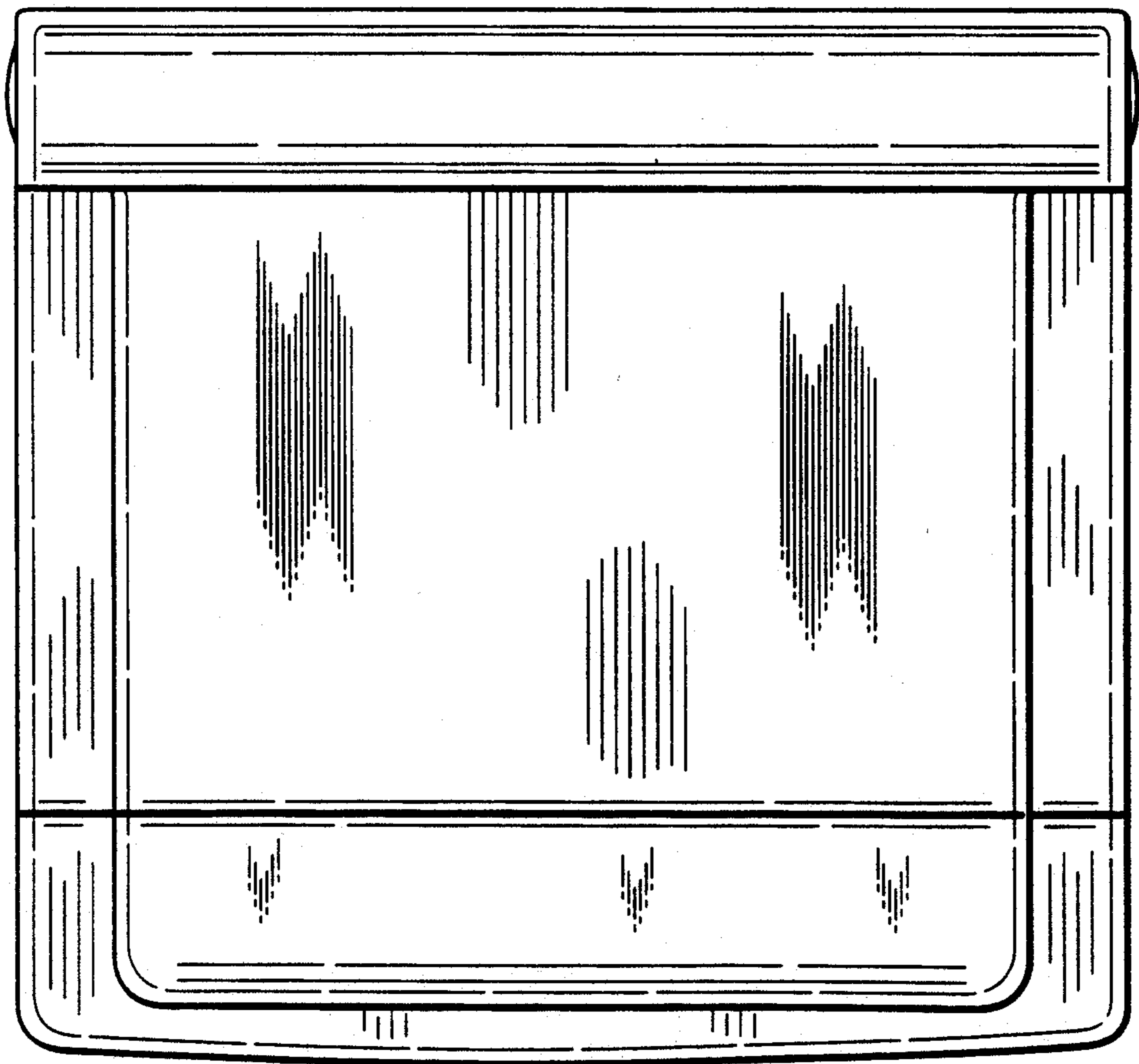
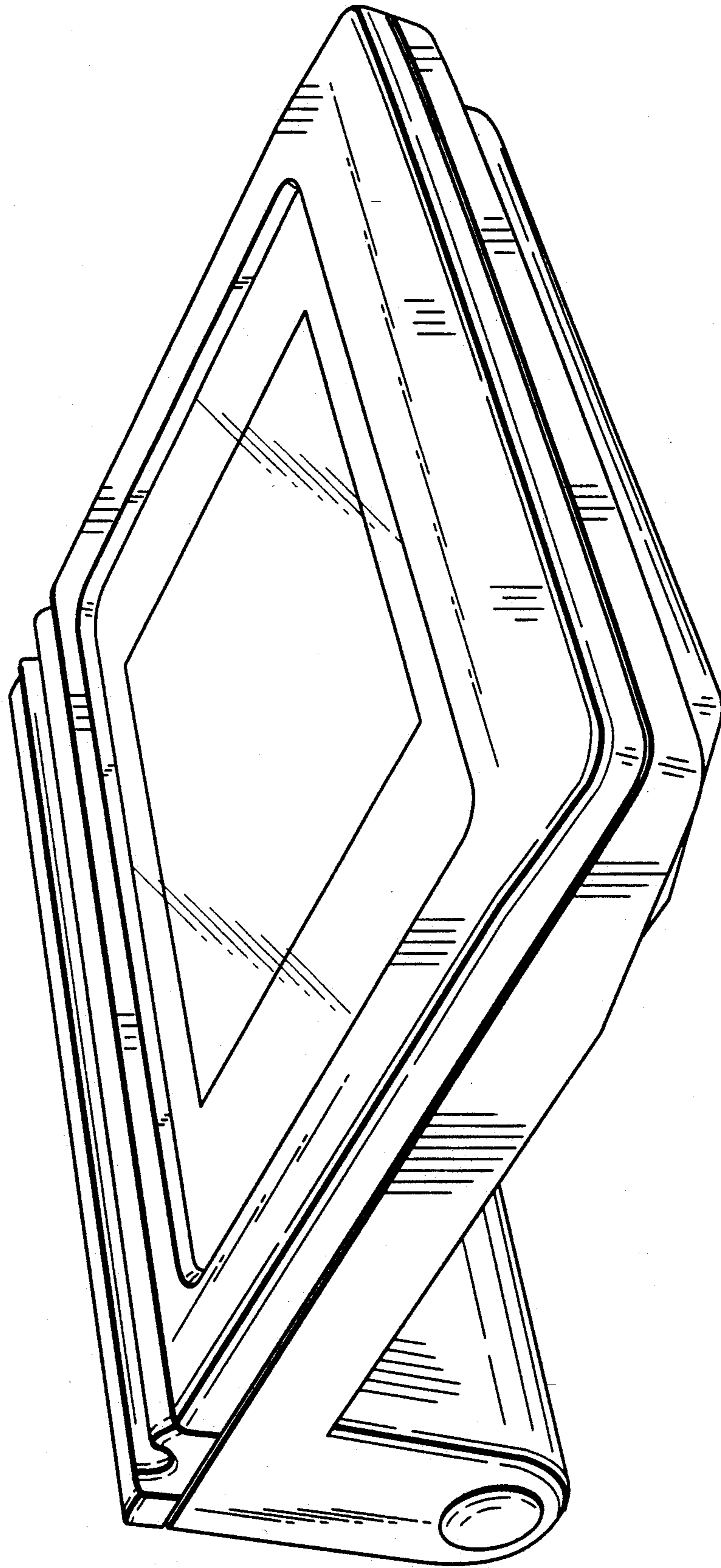
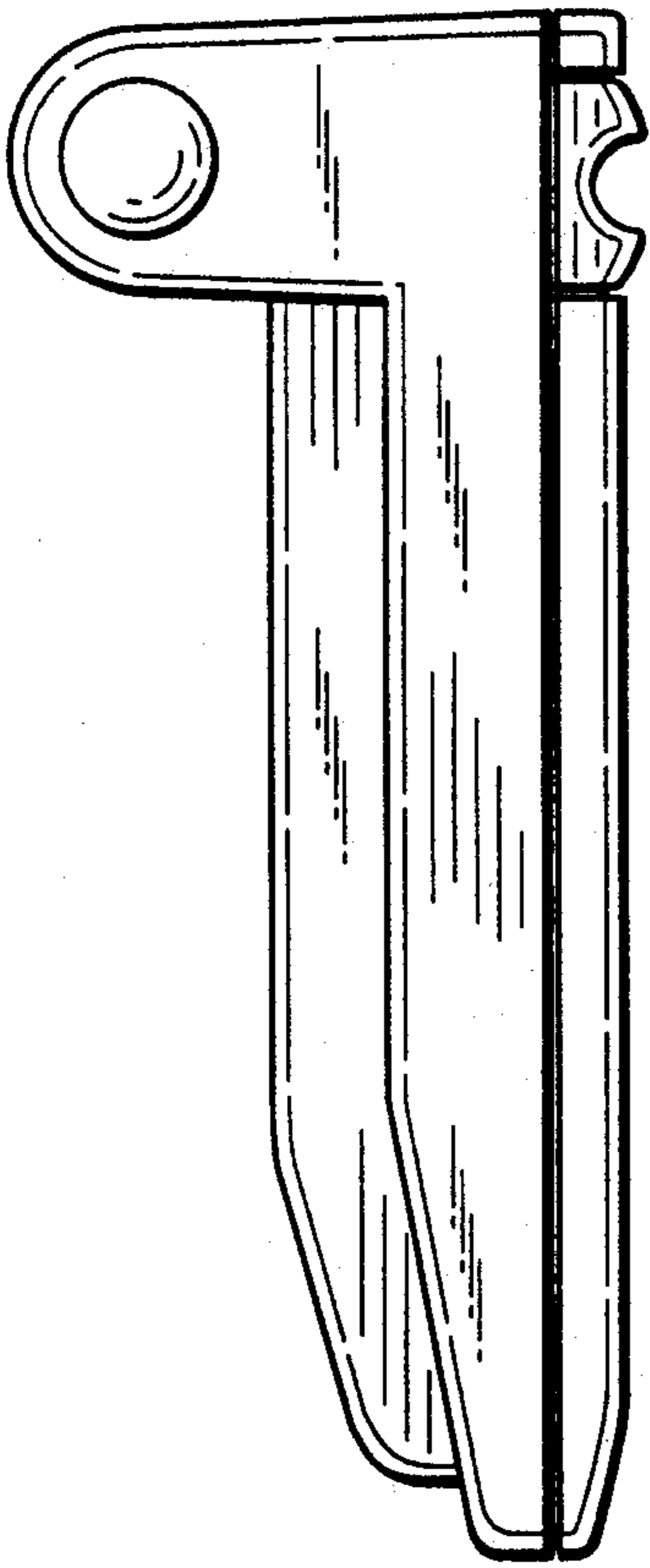


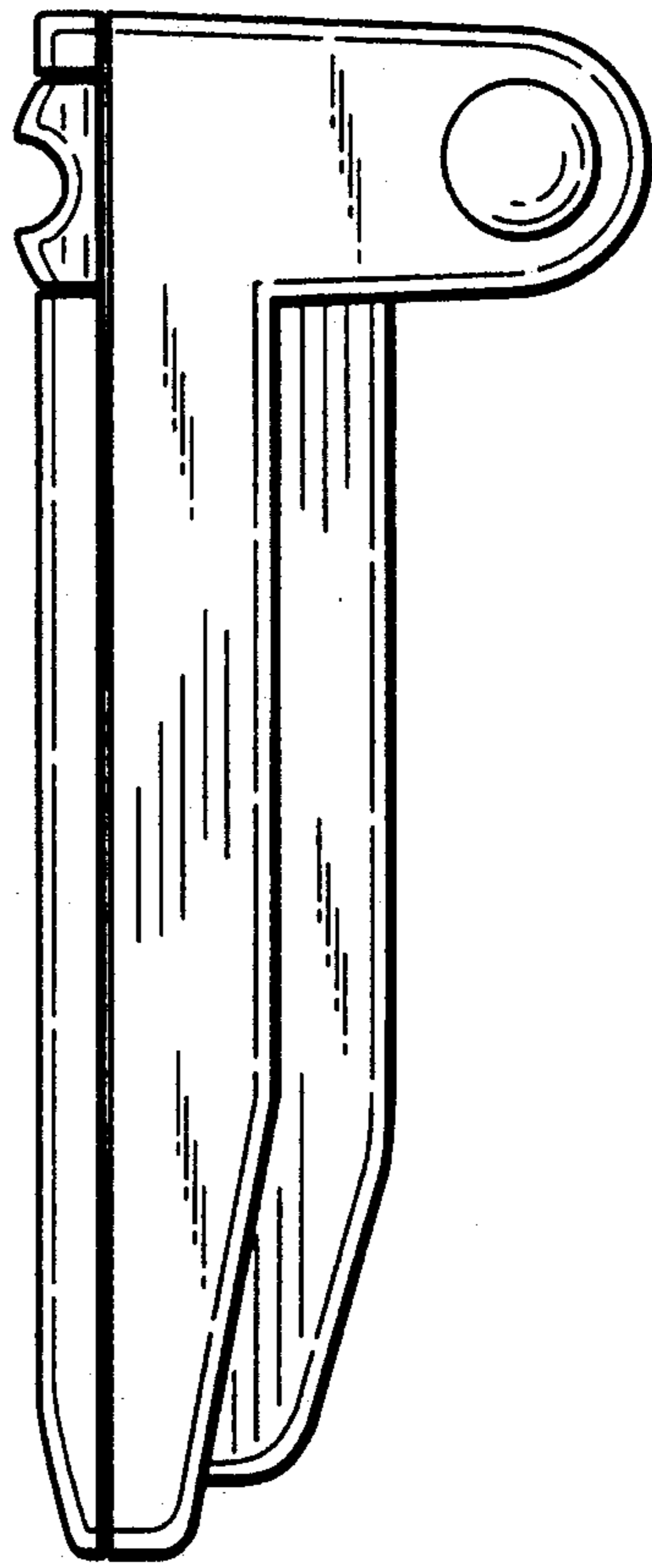
FIG. 8



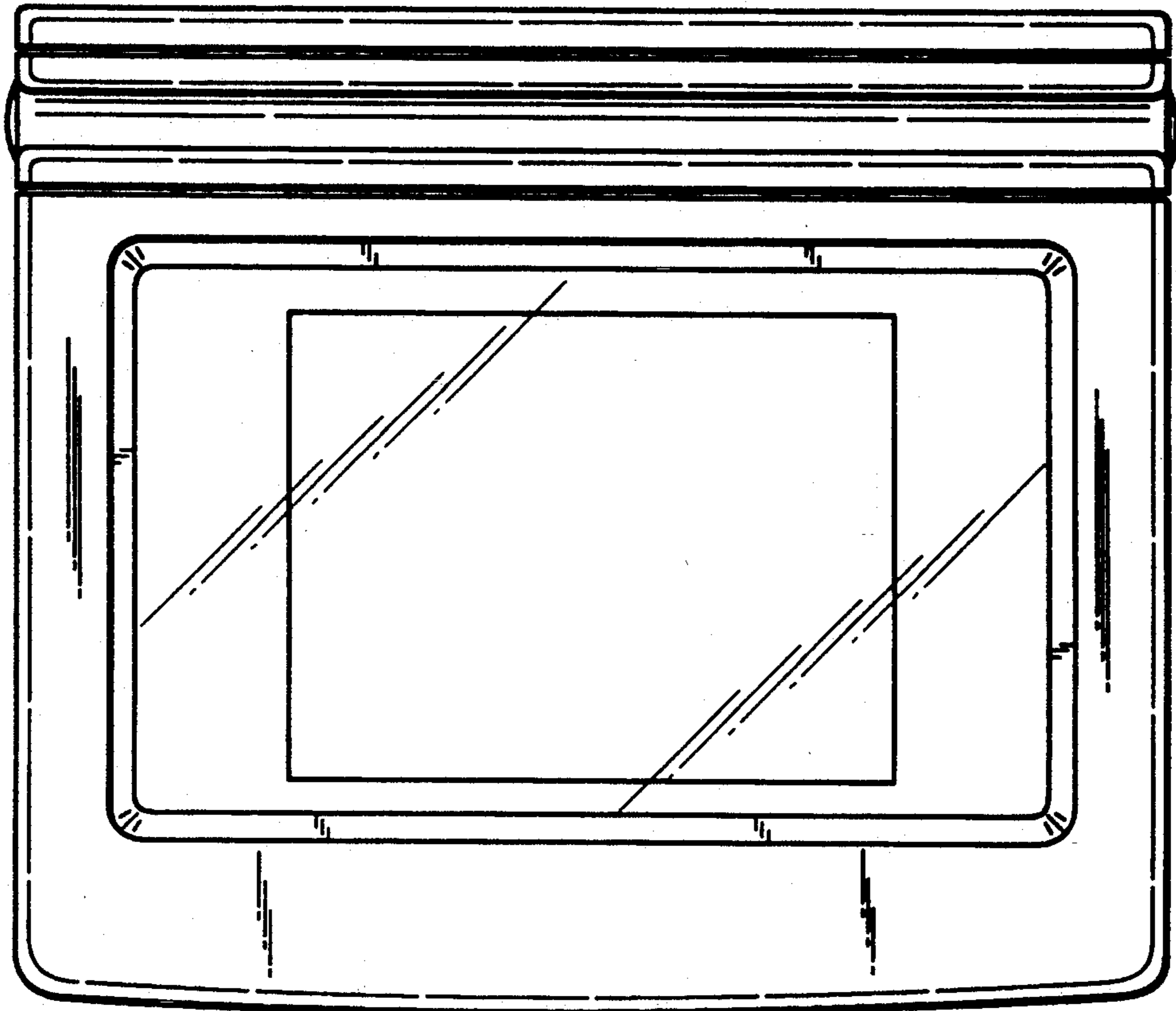
**FIG. 9**



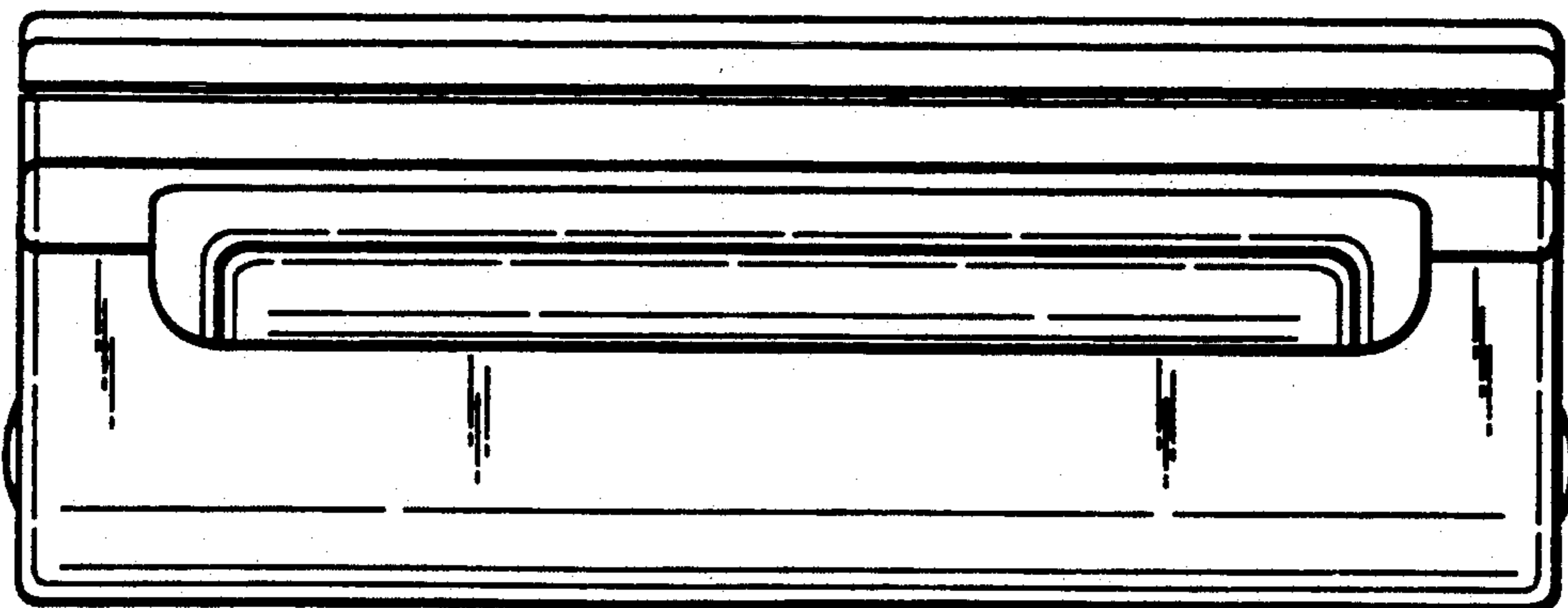
**FIG. 10**



**FIG. 11**

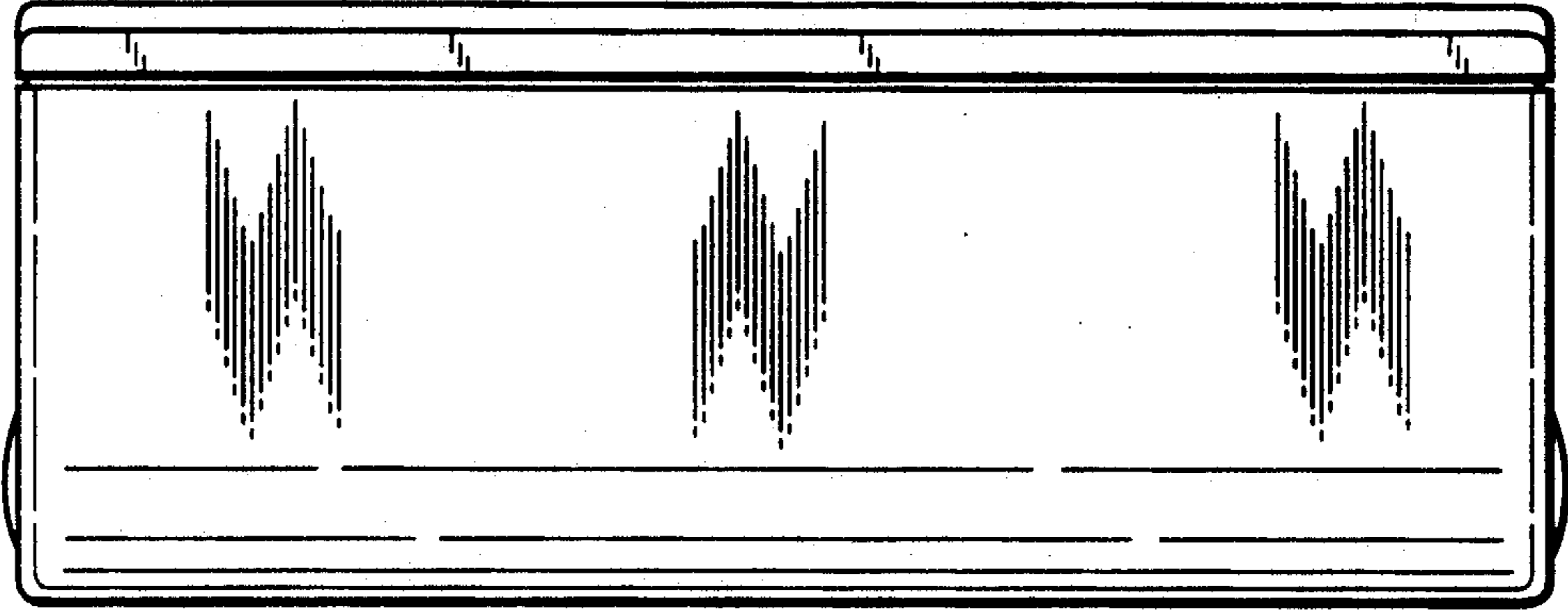


**FIG. 12**





**FIG. 13**



**FIG. 14**

