



US00D338448S

United States Patent [19]

[11] Patent Number: **Des. 338,448**

Onyszko

[45] Date of Patent: **** Aug. 17, 1993**

[54] **ELECTRONIC EQUIPMENT EXCITER MODULE**

[75] Inventor: **Lester J. Onyszko, Chicago, Ill.**

[73] Assignee: **Motorola, Inc., Schaumburg, Ill.**

[**] Term: **14 Years**

[21] Appl. No.: **771,293**

[22] Filed: **Oct. 4, 1991**

[52] U.S. Cl. **D13/162**

[58] Field of Search **D13/110, 118, 162, 164, D13/184; D14/197; 361/380, 383, 390, 391, 392, 393, 394, 395, 399, 412, 415, 417**

[56] **References Cited**

U.S. PATENT DOCUMENTS

| | | | |
|------------|--------|----------------------|-----------|
| D. 210,780 | 4/1968 | Ettinger et al. | D13/118 |
| D. 211,952 | 8/1968 | Ettinger et al. | D13/110 |
| D. 274,615 | 7/1984 | Bean et al. | D13/162 |
| D. 296,432 | 6/1988 | Harris et al. | D13/162 |
| D. 308,961 | 7/1990 | Golden et al. | D13/162 |
| D. 309,292 | 7/1990 | Sucato | D13/184 |
| 3,258,649 | 6/1966 | Arguin et al. | 361/415 X |
| 4,247,882 | 1/1981 | Prager et al. | 361/391 X |
| 4,386,388 | 5/1983 | Beun | 361/395 X |
| 4,503,484 | 5/1985 | Moxon | 361/412 X |
| 4,862,320 | 8/1989 | Schmidt et al. | 361/415 X |

FOREIGN PATENT DOCUMENTS

| | | | |
|---------|---------|----------------------------|---------|
| 3800728 | 7/1989 | Fed. Rep. of Germany | 361/399 |
| 2616034 | 12/1988 | France | 361/415 |

OTHER PUBLICATIONS

Modules on pp. 6 & 7 of Rosemount Plug-In, Inc. Catalog 10,000B, May 1970, Located in examiner's office.
Modules on P. 537 of Sager Electrical Supply Co. 1982 catalog, Located in examiner's office.
Modules on p. 3 of Elco Catalog No. 668, copyright 1986, Located in examiner's office.

Primary Examiner—Wallace R. Burke
Assistant Examiner—Joel Sincavage
Attorney, Agent, or Firm—Darleen J. Stockley

[57] **CLAIM**

The ornamental design for an electronic equipment exciter module, as shown and described.

DESCRIPTION

FIG. 1 is a front and upper right perspective view of an electronic equipment exciter module showing my new design;
FIG. 2 is a left elevational view thereof;
FIG. 3 is a rear elevational view thereof;
FIG. 4 is a bottom plan view thereof;
FIG. 5 is a top, right and front perspective view of an electronic equipment exciter module showing a second embodiment of my new design, the plan and elevational views being the same as the first embodiment except for the front panel;
FIG. 6 is a top plan view of the first embodiment;
FIG. 7 is a right elevational view of the first embodiment; and,
FIG. 8 is a front elevational view of the first embodiment.

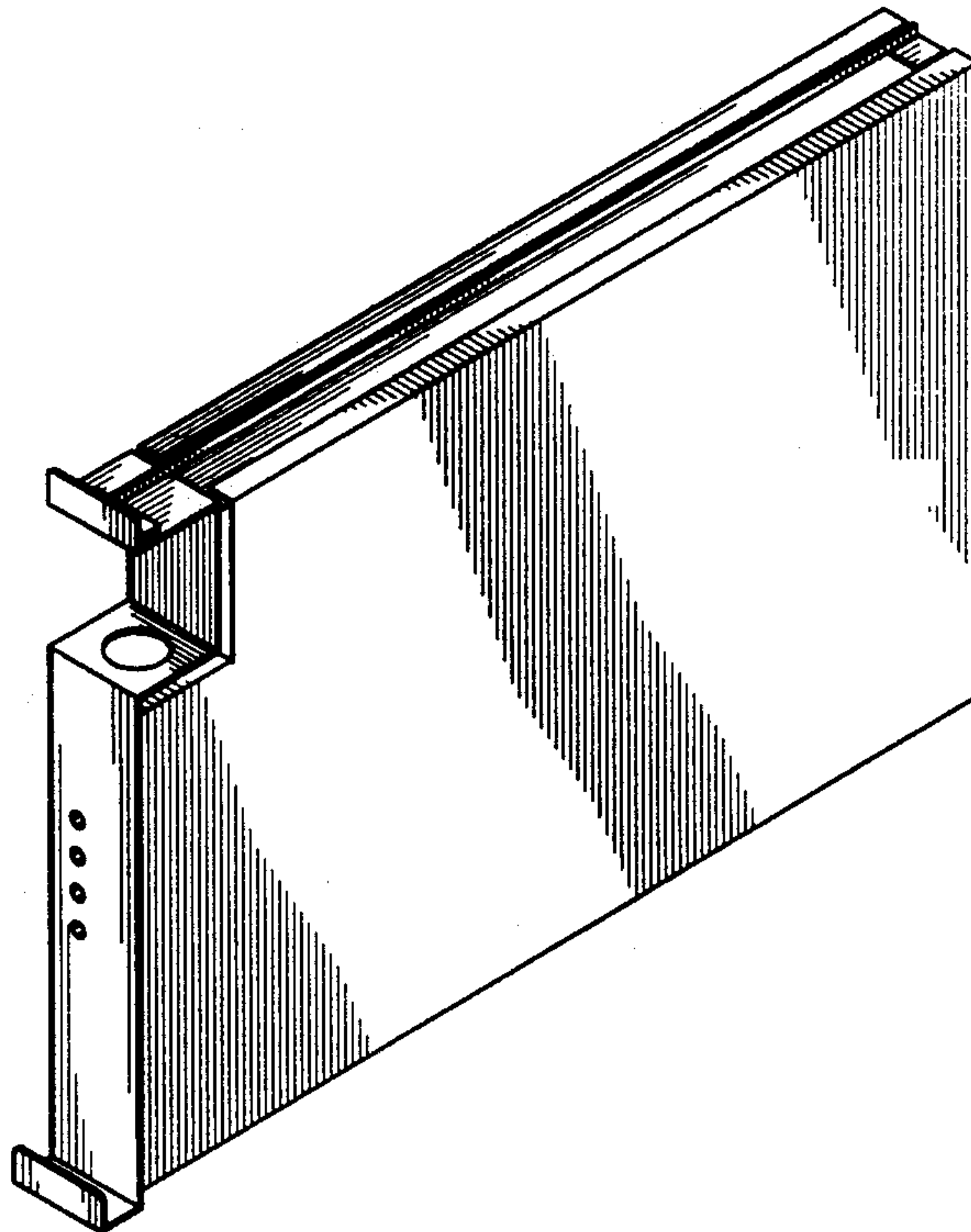


FIG. 1

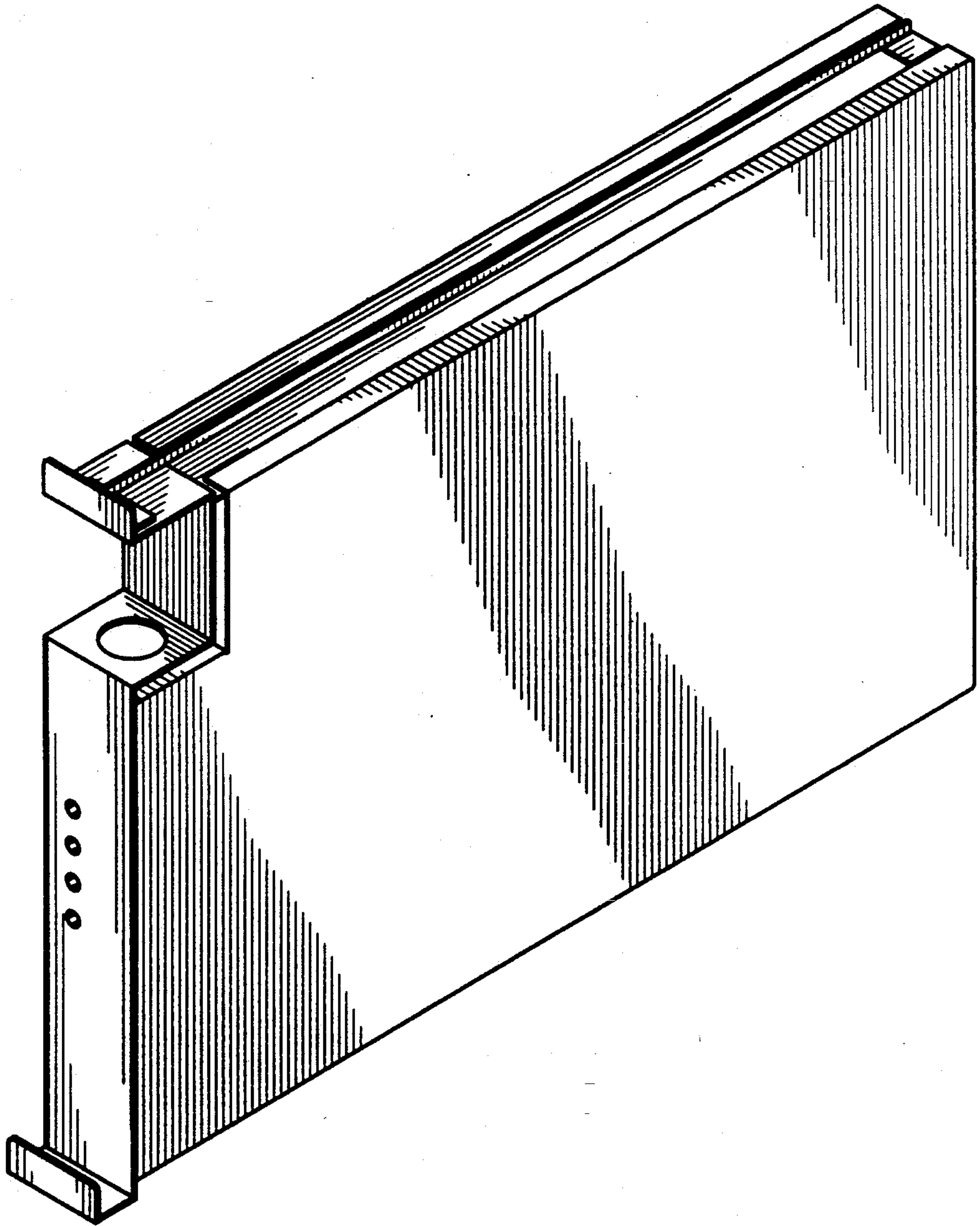


FIG. 3

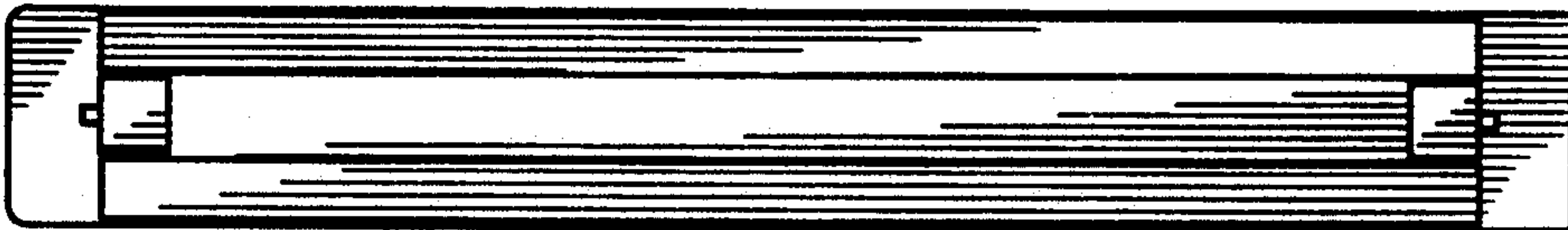
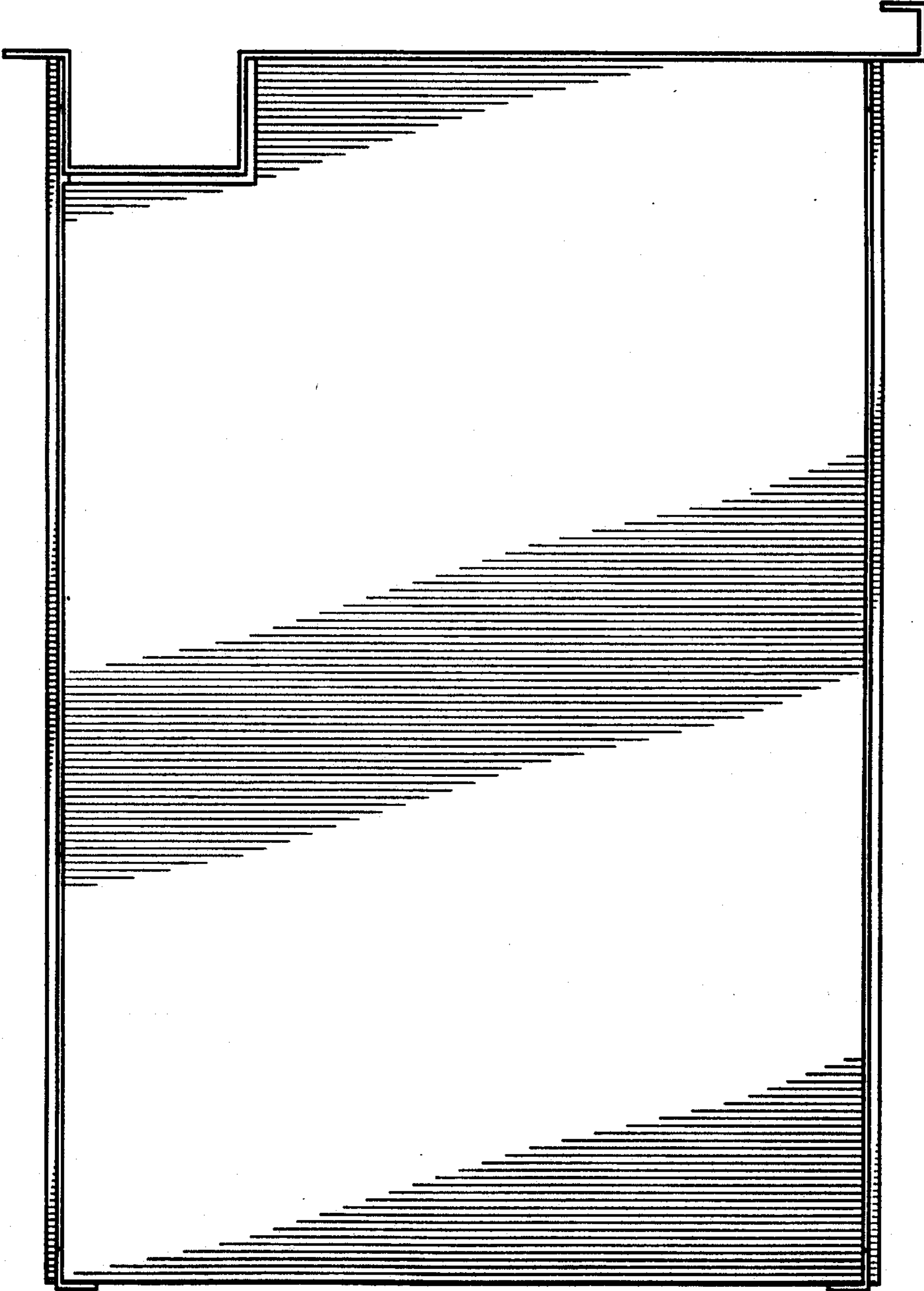


FIG. 2



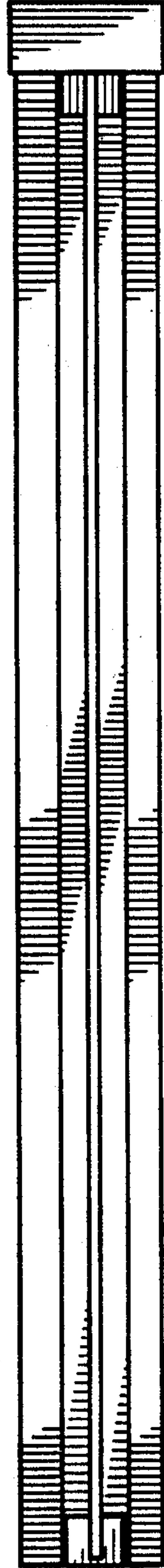
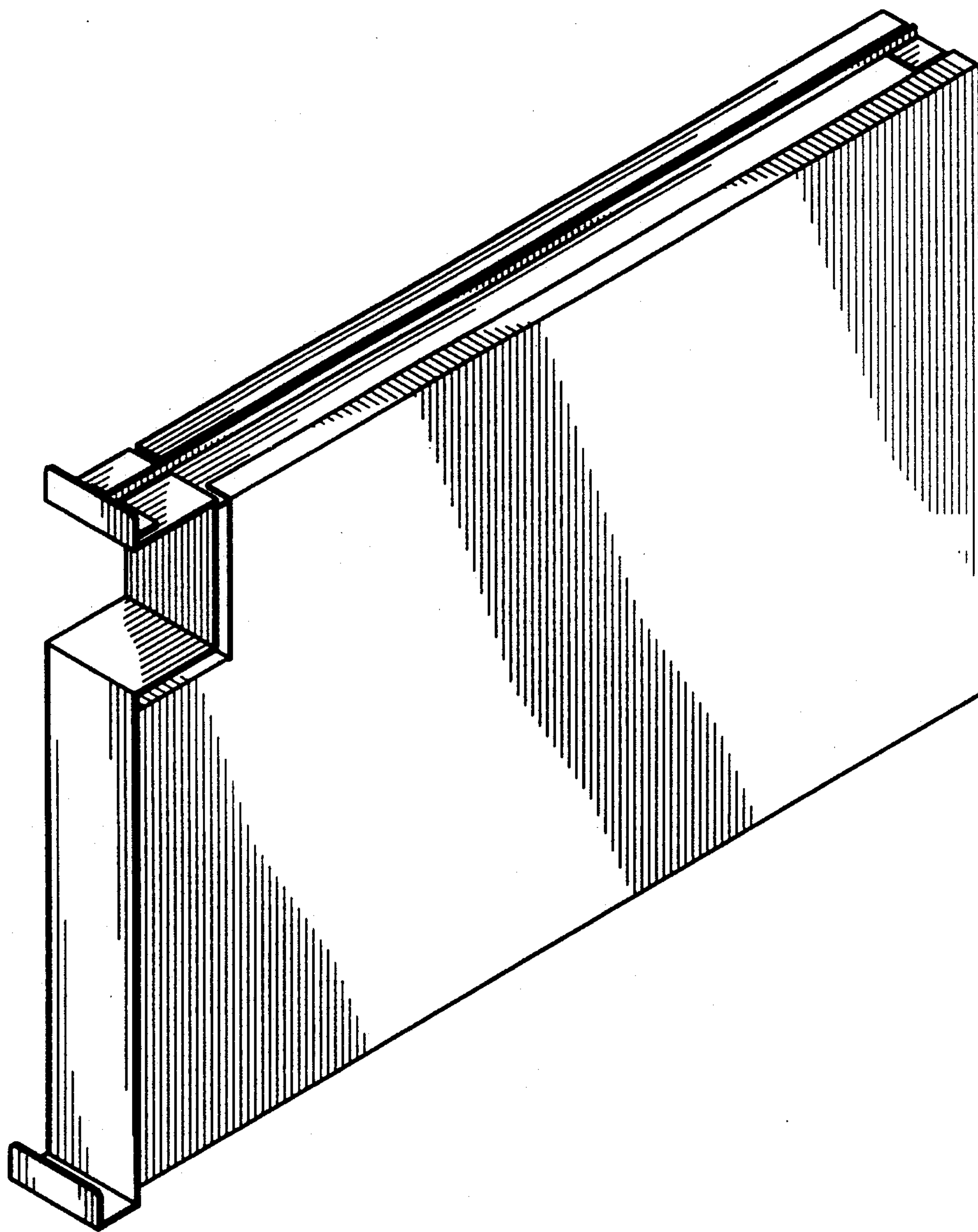


FIG. 4

FIG. 5



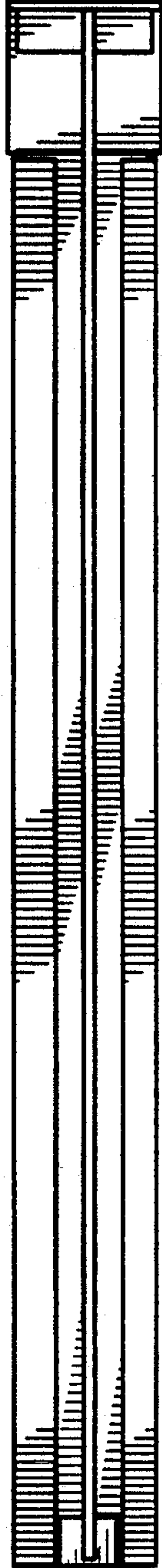


FIG. 6

FIG. 8

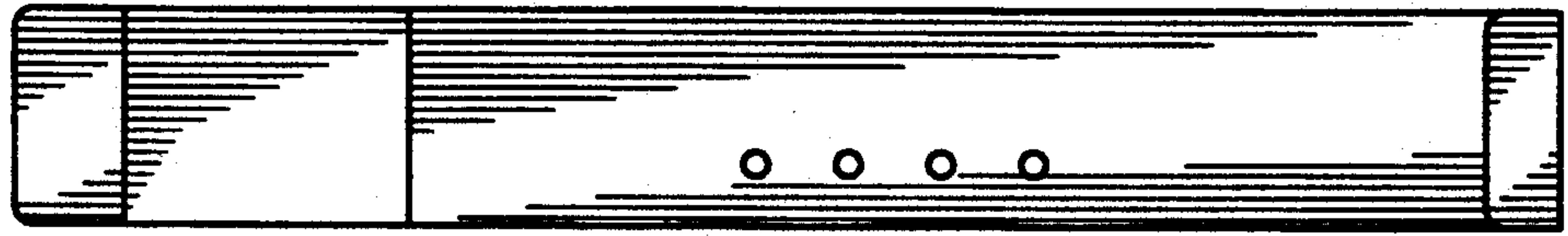


FIG. 7

