



US00D338445S

United States Patent [19]

[11] Patent Number: **Des. 338,445**

Lamont

[45] Date of Patent: **** Aug. 17, 1993**

[54] **LOCKABLE EXTENSION CORD
RECEPTACLE COVER**

5,061,194 10/1991 Herman et al. 439/133

[76] Inventor: **Romanus M. Lamont, Box F3,
Wickenburg, Ariz. 85358**

FOREIGN PATENT DOCUMENTS

1354173 1/1964 France 439/133

[**] Term: **14 Years**

Primary Examiner—Wallace R. Burke
Assistant Examiner—Joel Sincavage
Attorney, Agent, or Firm—Cahill, Sutton & Thomas

[21] Appl. No.: **822,989**

[57] CLAIM

[22] Filed: **Jan. 21, 1992**

The ornamental design for a lockable extension cord receptacle cover, as shown and described.

[52] U.S. Cl. **D13/156**

[58] Field of Search **D13/152, 156; 439/133,
439/134, 149; 174/5 R**

DESCRIPTION

[56] References Cited

U.S. PATENT DOCUMENTS

D. 286,766 11/1986 Gallusser et al. D13/152
D. 325,374 4/1992 Ashby D13/156 X
5,052,939 10/1991 Koch 439/133

FIG. 1 is a left, front top perspective view showing my design;

FIG. 2 is a right end elevational view thereof; the left end elevational view being a mirror image thereof;

FIG. 3 is a bottom plan view thereof; and,

FIG. 4 is a rear elevational view thereof.

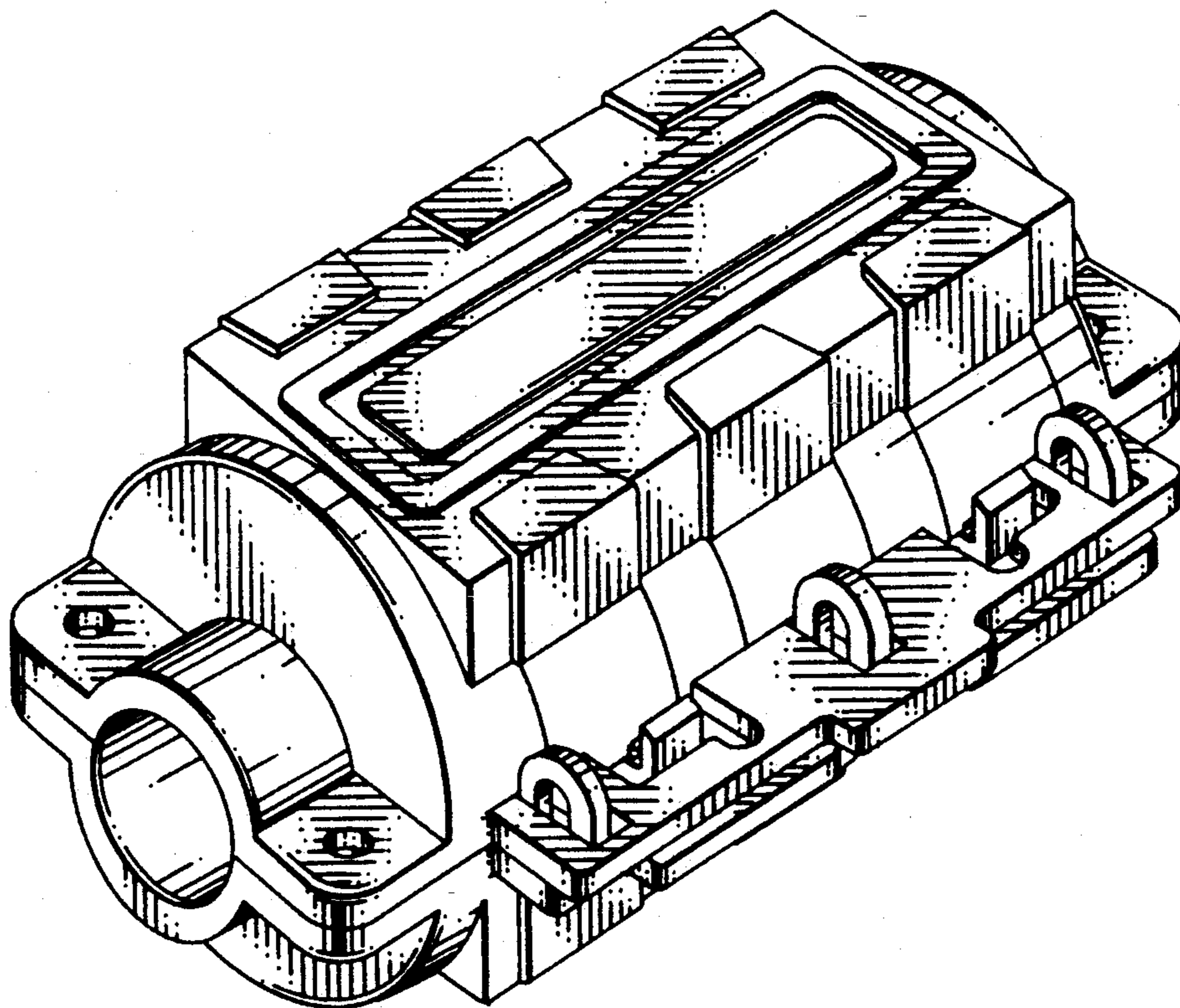


FIG. 1

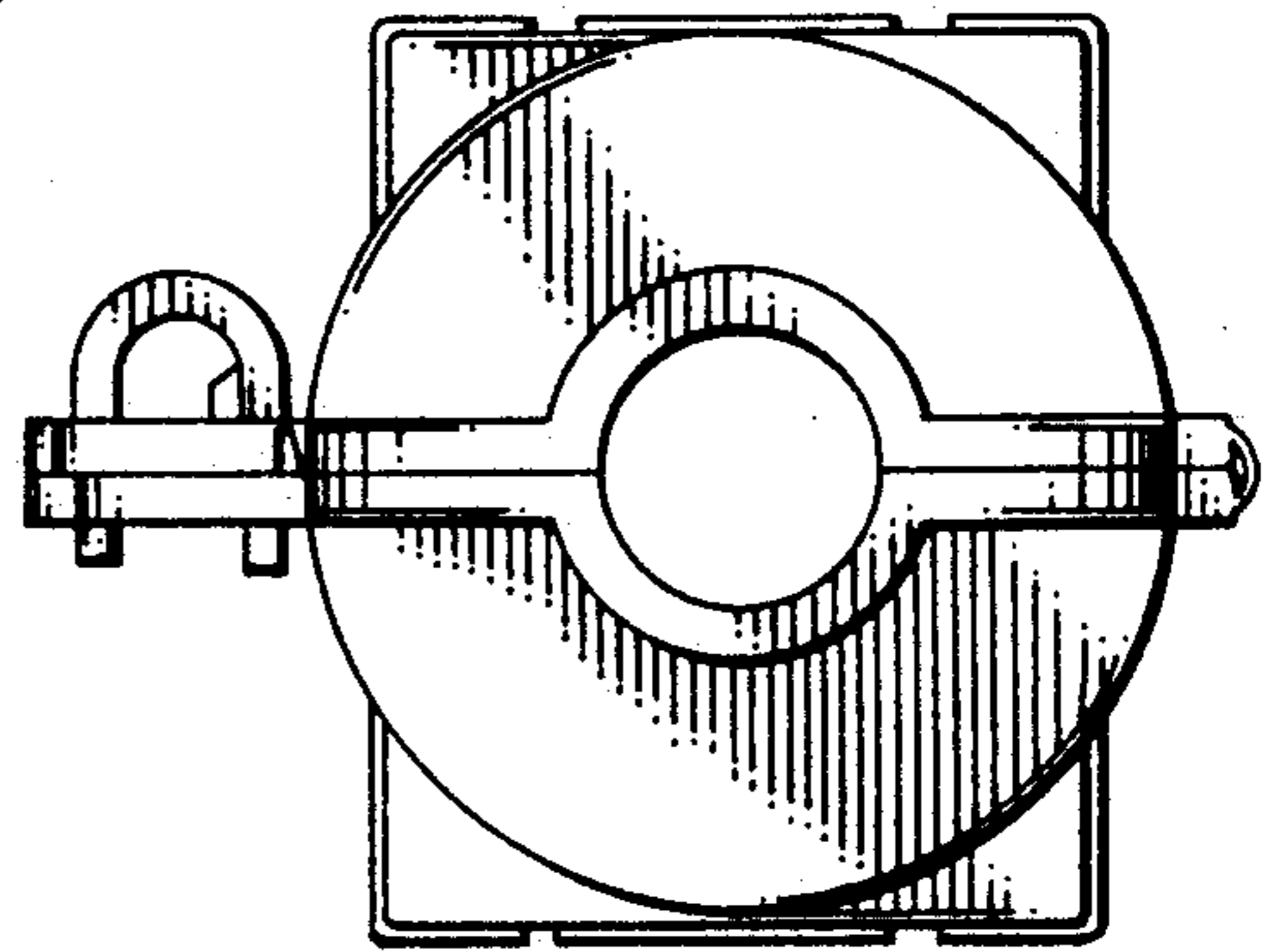
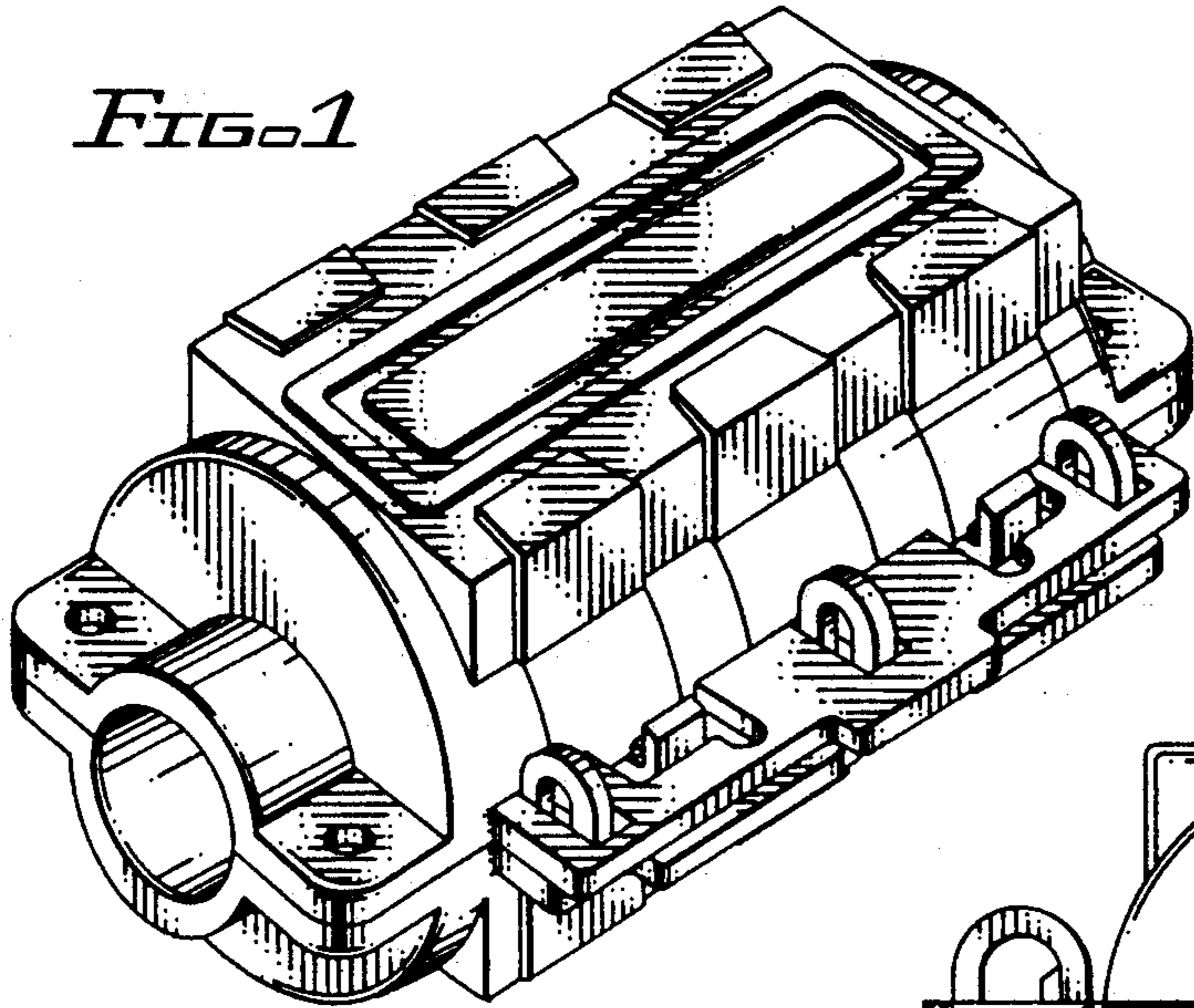


FIG. 2

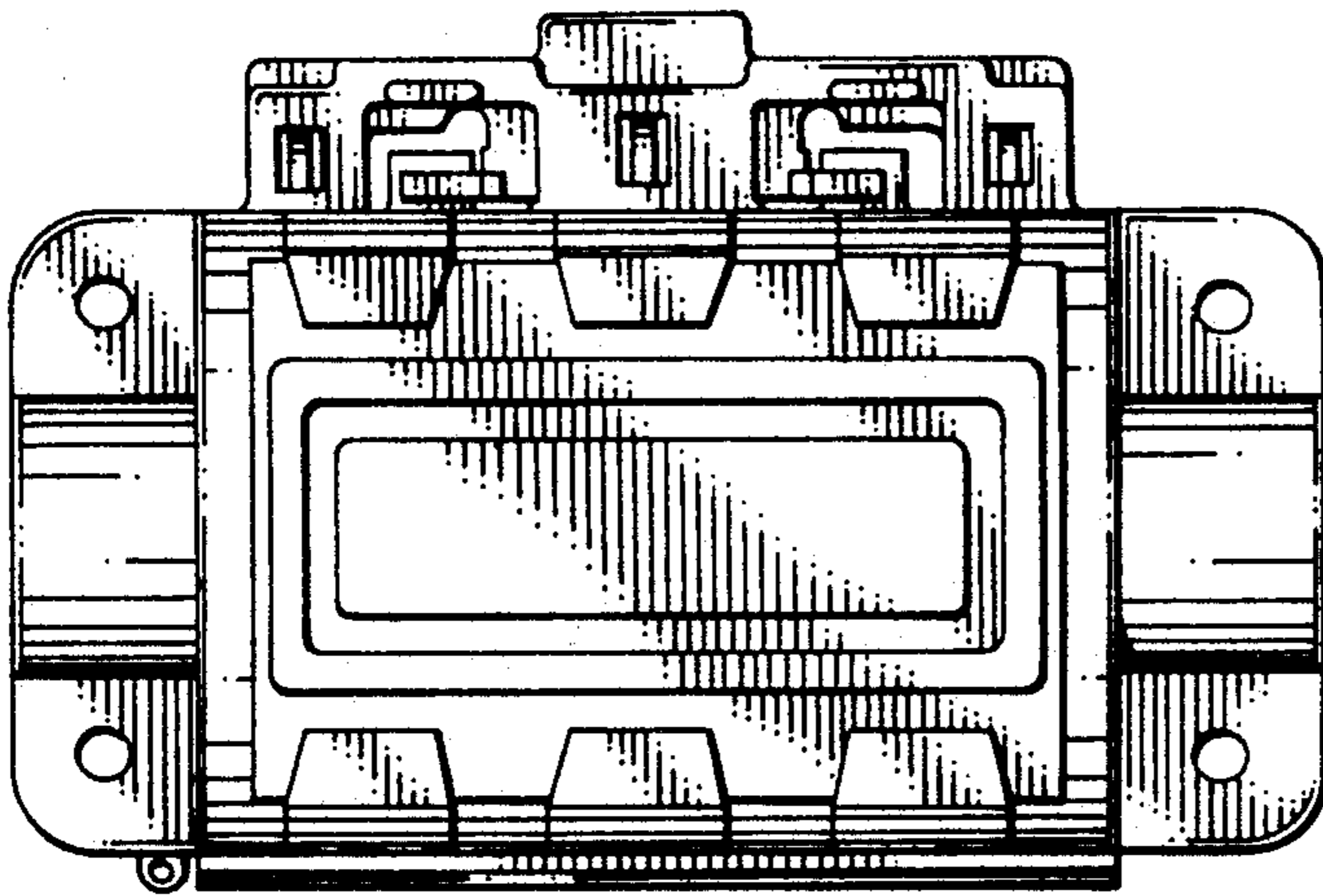


FIG. 3

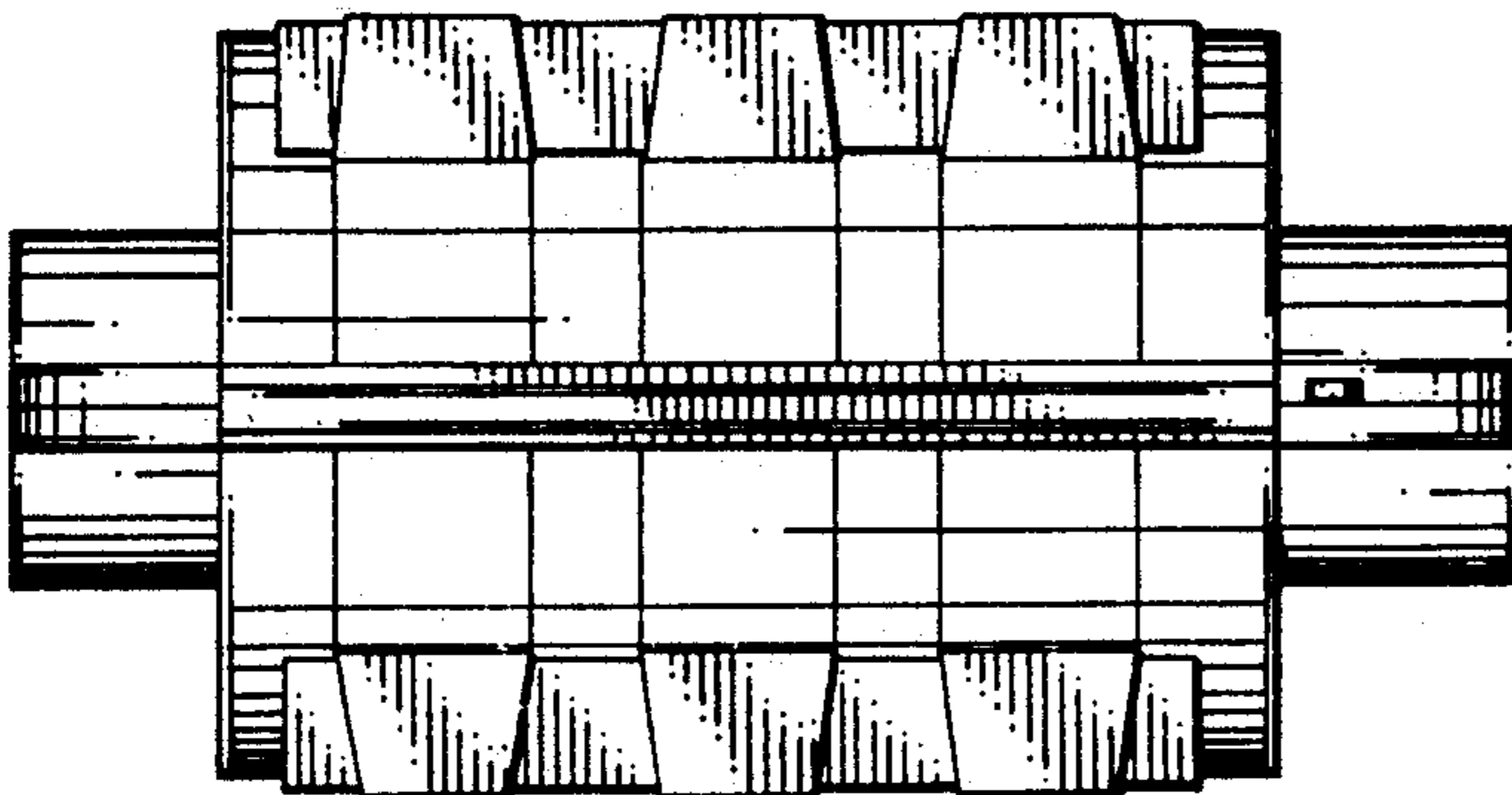


FIG. 4