



US00D338444S

United States Patent [19]

[11] Patent Number: **Des. 338,444**

Henneberger

[45] Date of Patent: **** Aug. 17, 1993**

[54] **GUIDING TROUGH, SQUARE-TO-ROUND ADAPTOR FOR OPTICAL FIBERS**

[75] Inventor: **Roy Henneberger, Eagan, Minn.**

[73] Assignee: **ADC Telecommunications, Inc., Minneapolis, Minn.**

[**] Term: **14 Years**

[21] Appl. No.: **387,644**

[22] Filed: **Jul. 31, 1989**

[52] U.S. Cl. **D13/155**

[58] Field of Search **D13/152, 155; D23/267, D23/200, 393; D30/131; 248/49, 58, 68.1; D34/28; 174/21 JS, 35 C, 48, 68.1, 68.3, 69, 72 A, 84 R, 101; 138/155, 156, 157, 177, DIG. 11; 350/96.16, 96.23, 96.3**

[56] **References Cited**

U.S. PATENT DOCUMENTS

D. 309,966	8/1990	Bishop	D23/200 X
3,485,937	12/1969	Caveney	174/101
4,529,833	7/1985	Weis	174/48

OTHER PUBLICATIONS

Ditel UPL-1000/UPT-1000/corner Cable Guides brochure, ©1986.

Tyton, Product Data Bulletin, The Lightguide System. Panduit Corp., Product Bulletin E-FOA-1, Fiber Optic Cable Accessories.

Primary Examiner—Wallace R. Burke

Assistant Examiner—Joel Sincavage

Attorney, Agent, or Firm—Merchant, Gould, Smith, Edell, Welter & Schmidt

[57] **CLAIM**

The ornamental design for a guiding trough, square-to-round adaptor for optical fibers, as shown and described.

DESCRIPTION

FIG. 1 is a front, right side and top perspective view of a guiding trough, square-to-round adaptor for optical fibers showing my new design;

FIG. 2 is a front elevation view thereof;

FIG. 3 is a rear elevation view thereof;

FIG. 4 is a top plan view thereof;

FIG. 5 is a bottom plan view thereof; and,

FIG. 6 is a right side elevation view thereof, the left side elevation view thereof being a mirror image.

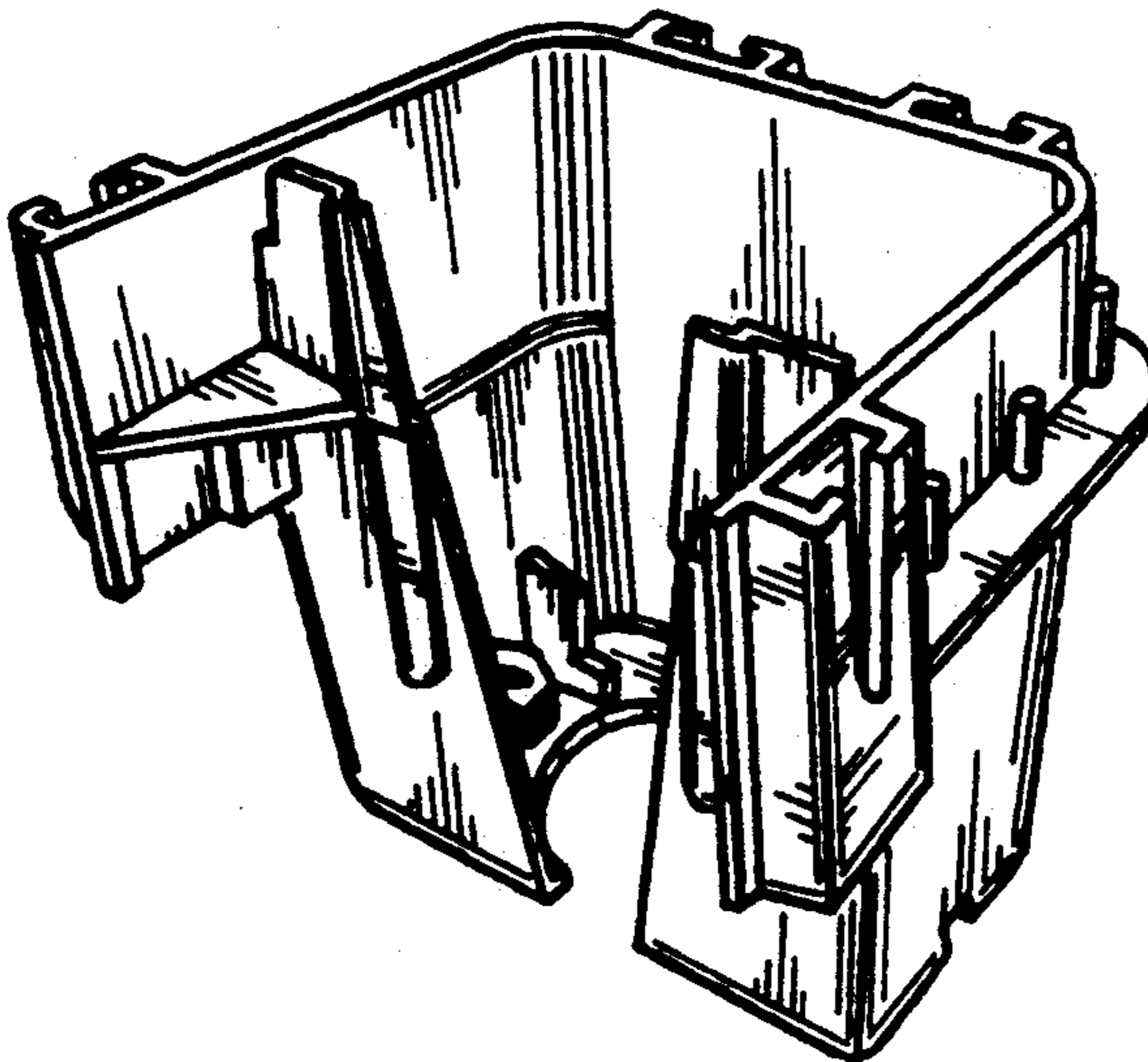


FIG. 1

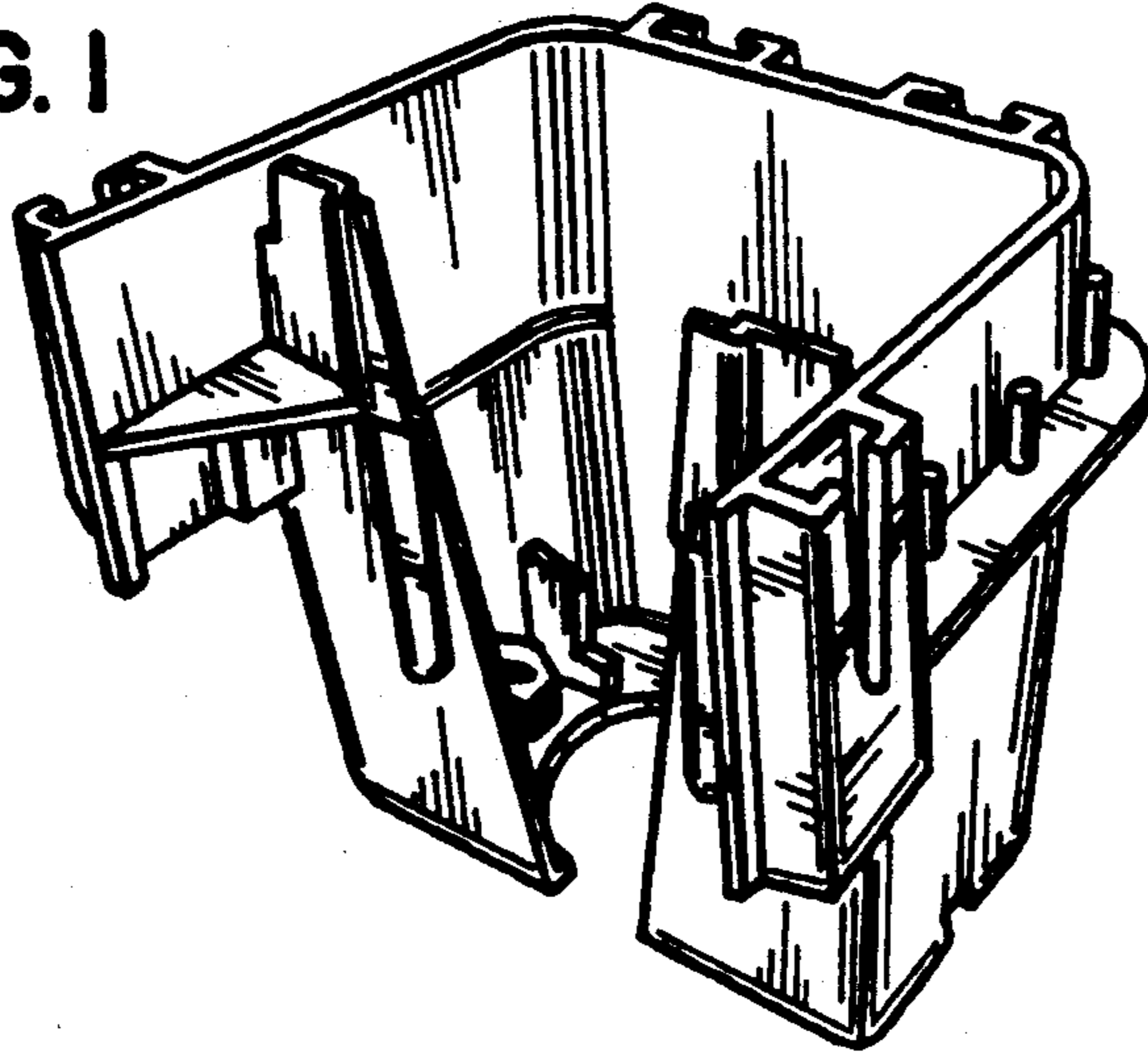


FIG. 2

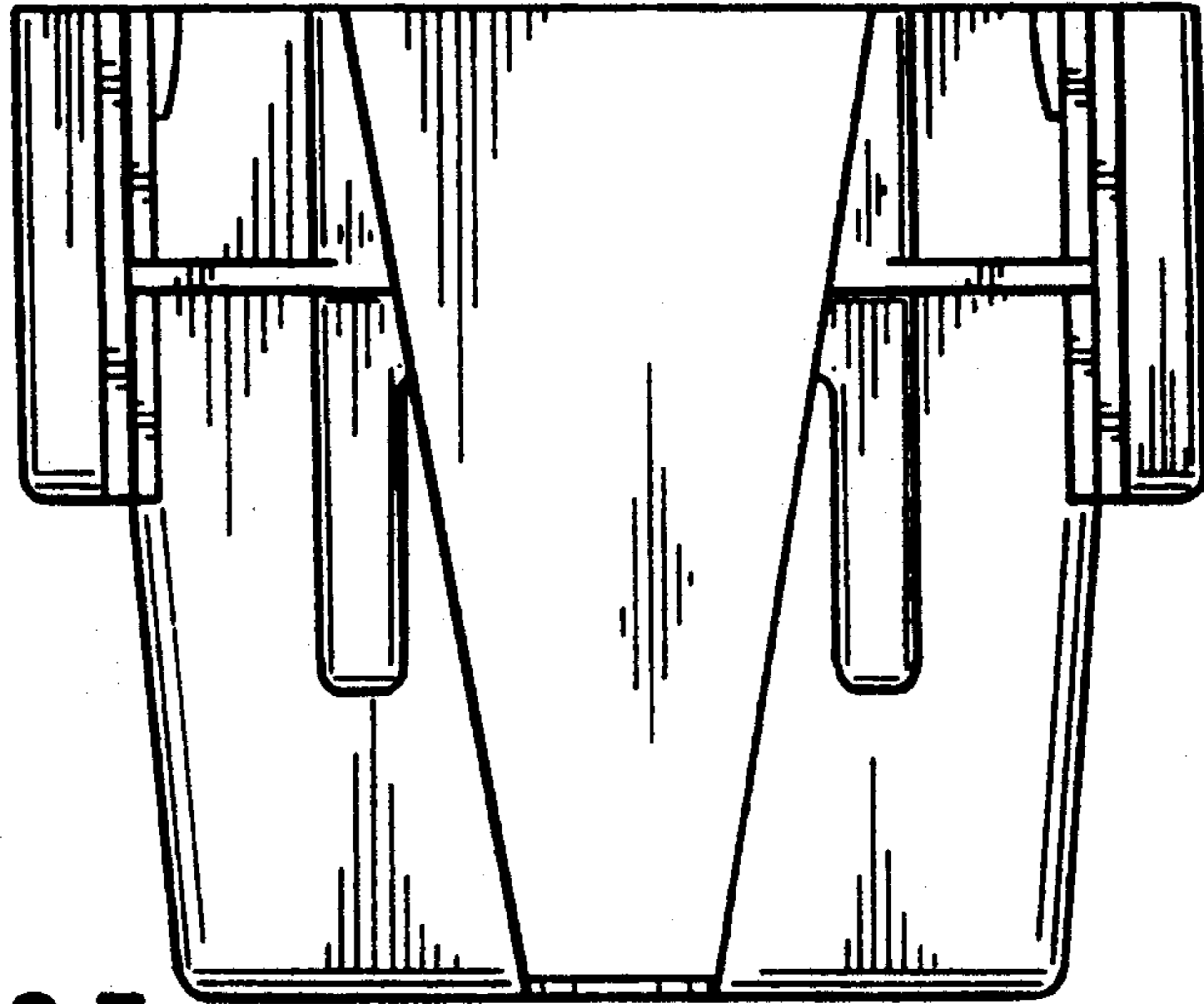


FIG. 3

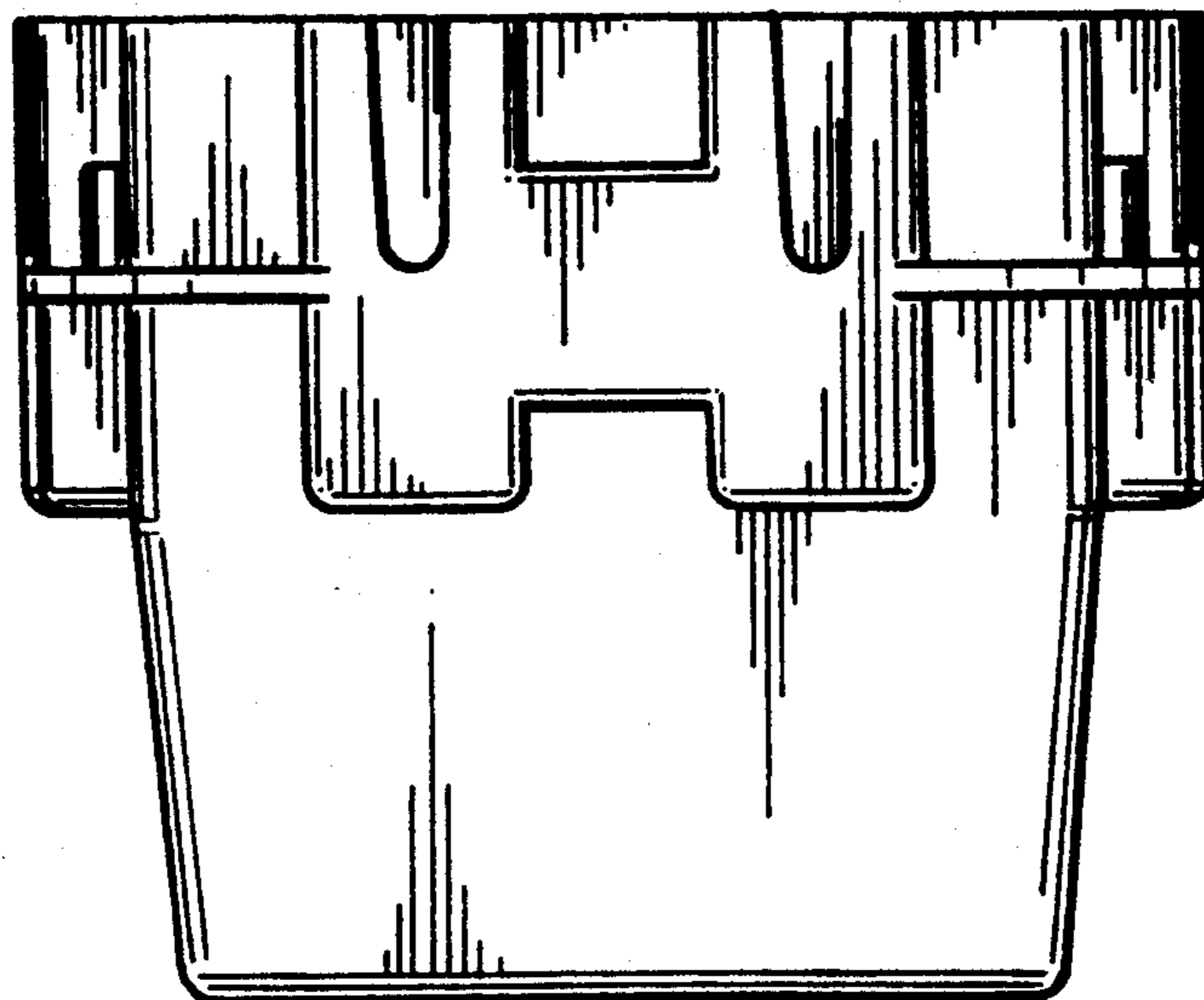


FIG. 4

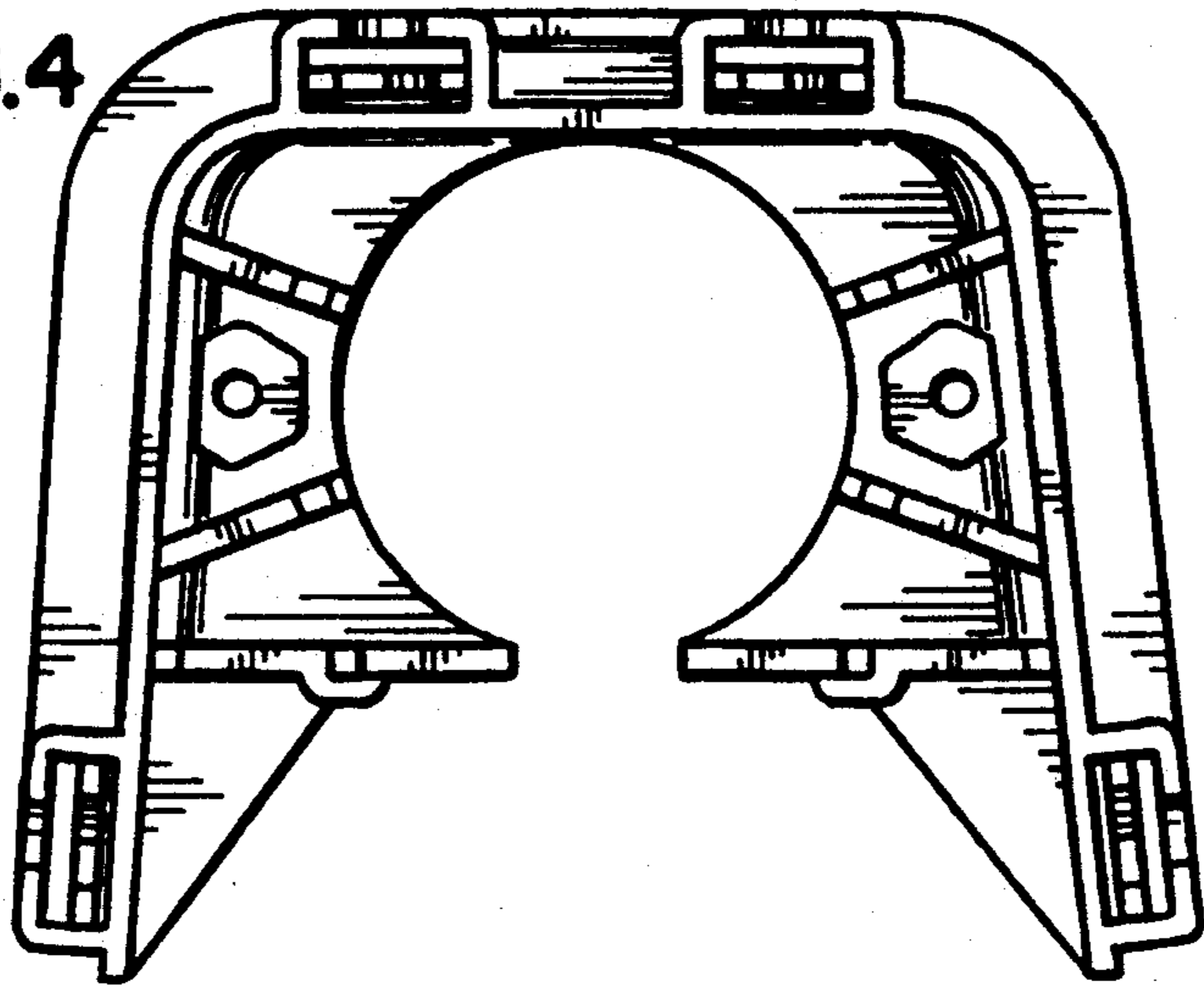


FIG. 5

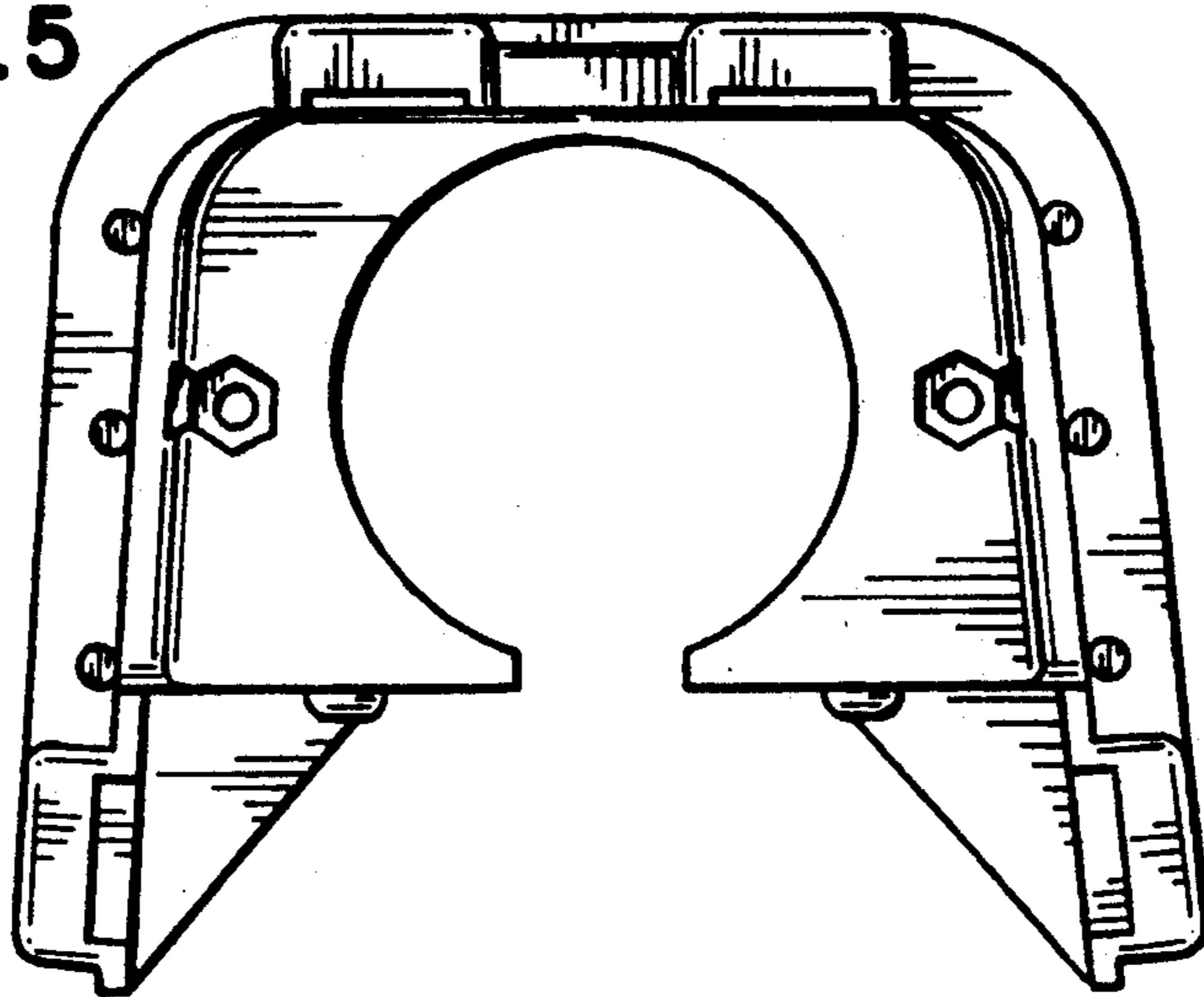


FIG. 6

