



US00D338434S

United States Patent [19]

[11] Patent Number: **Des. 338,434**

Muff et al.

[45] Date of Patent: **** Aug. 17, 1993**

[54] **DEVICE FOR TEACHING A CHILD TO WALK**

[76] Inventors: **Earl A. Muff**, both of 6 Debra's La., Cedarbrook, N.J. 08081; **Joseph M. Crowley**, both of Cedarbrook, N.J.

[**] Term: **14 Years**

[21] Appl. No.: **675,713**

[22] Filed: **Mar. 27, 1991**

[52] U.S. Cl. **D12/130; D21/71**

[58] Field of Search **D12/128-133; D21/71; 280/87.01; 472/26, 135, 14; 482/77, 42, 146, 147**

3,381,975	5/1968	Bowman	D21/71
3,604,722	9/1971	Boley	280/87.01
3,649,007	3/1972	Thomas	472/26
4,193,592	3/1980	Bishow	472/14
4,234,152	11/1980	Browse	472/14
4,901,998	2/1990	Griffith	472/135

Primary Examiner—Kay H. Chin
Attorney, Agent, or Firm—Terry M. Gernstein

[57] CLAIM

The ornamental design for a device for teaching a child to walk, as shown and described.

DESCRIPTION

FIG. 1 is a perspective view of the device for teaching a child to walk embodying the design of the present invention;

FIG. 2 is a front elevational view thereof; the rear being a mirror image of the front shown in FIG. 2;

FIG. 3 is a top plan view thereof;

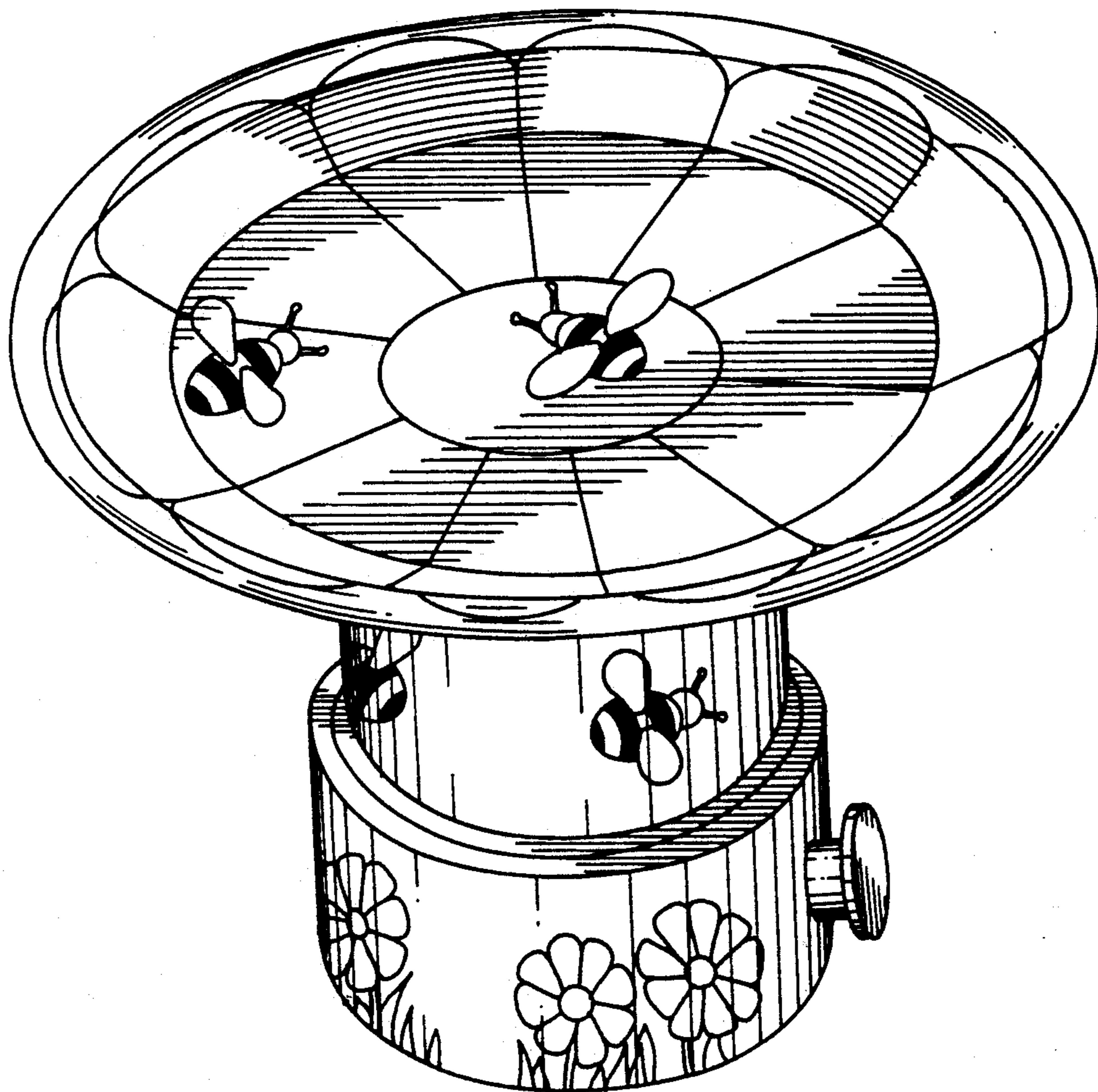
FIG. 4 is a bottom view thereof; and,

FIG. 5 is a side elevational view thereof, the side opposite being a mirror image of the side shown in FIG. 5.

[56] References Cited

U.S. PATENT DOCUMENTS

D. 193,624	9/1962	Wolner	D21/71
D. 204,252	4/1966	Hubel	D12/130
D. 219,338	12/1970	Gallagher	D12/130
D. 327,715	7/1992	Matsuda et al.	D21/71



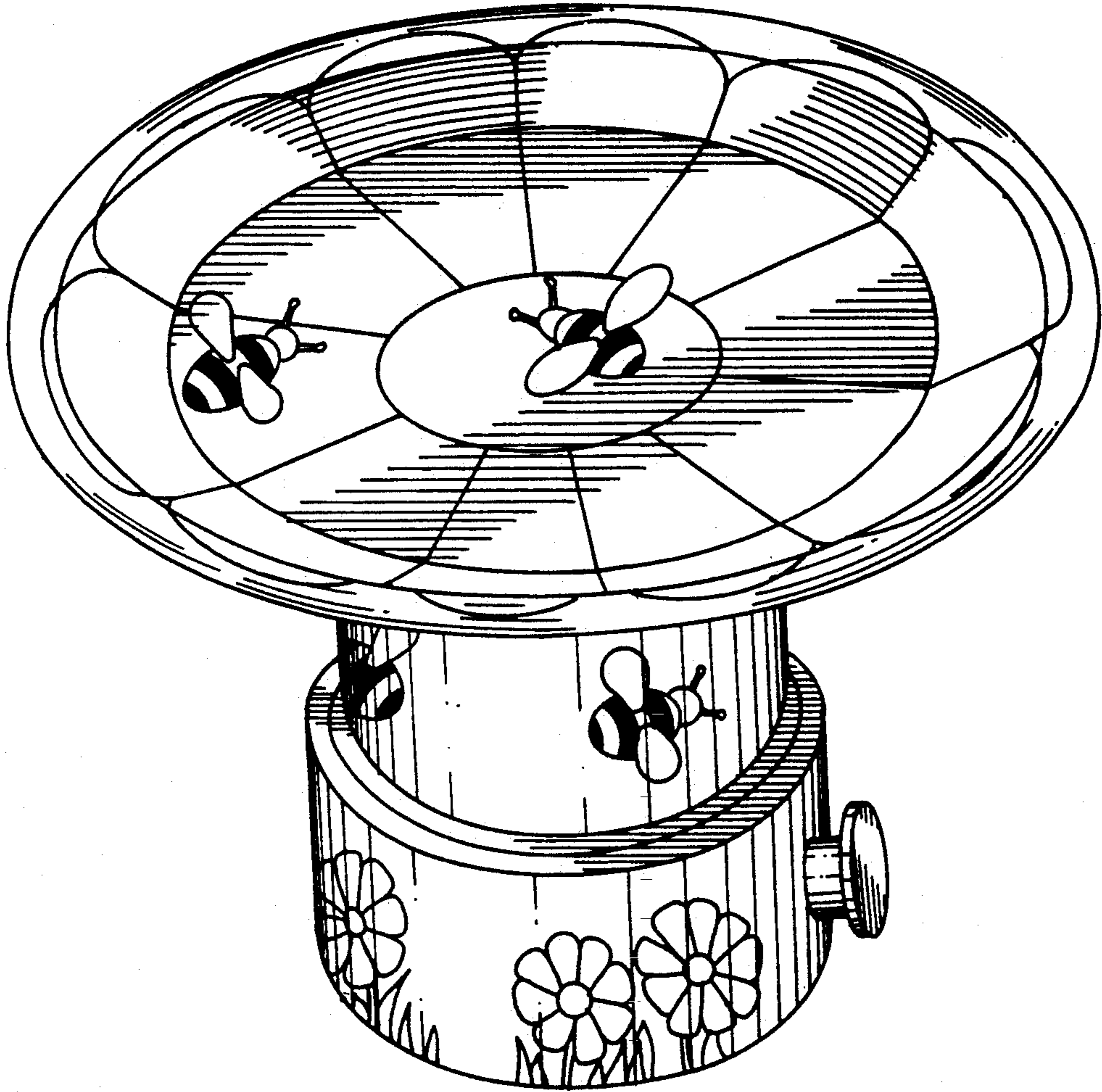


FIG. 1.

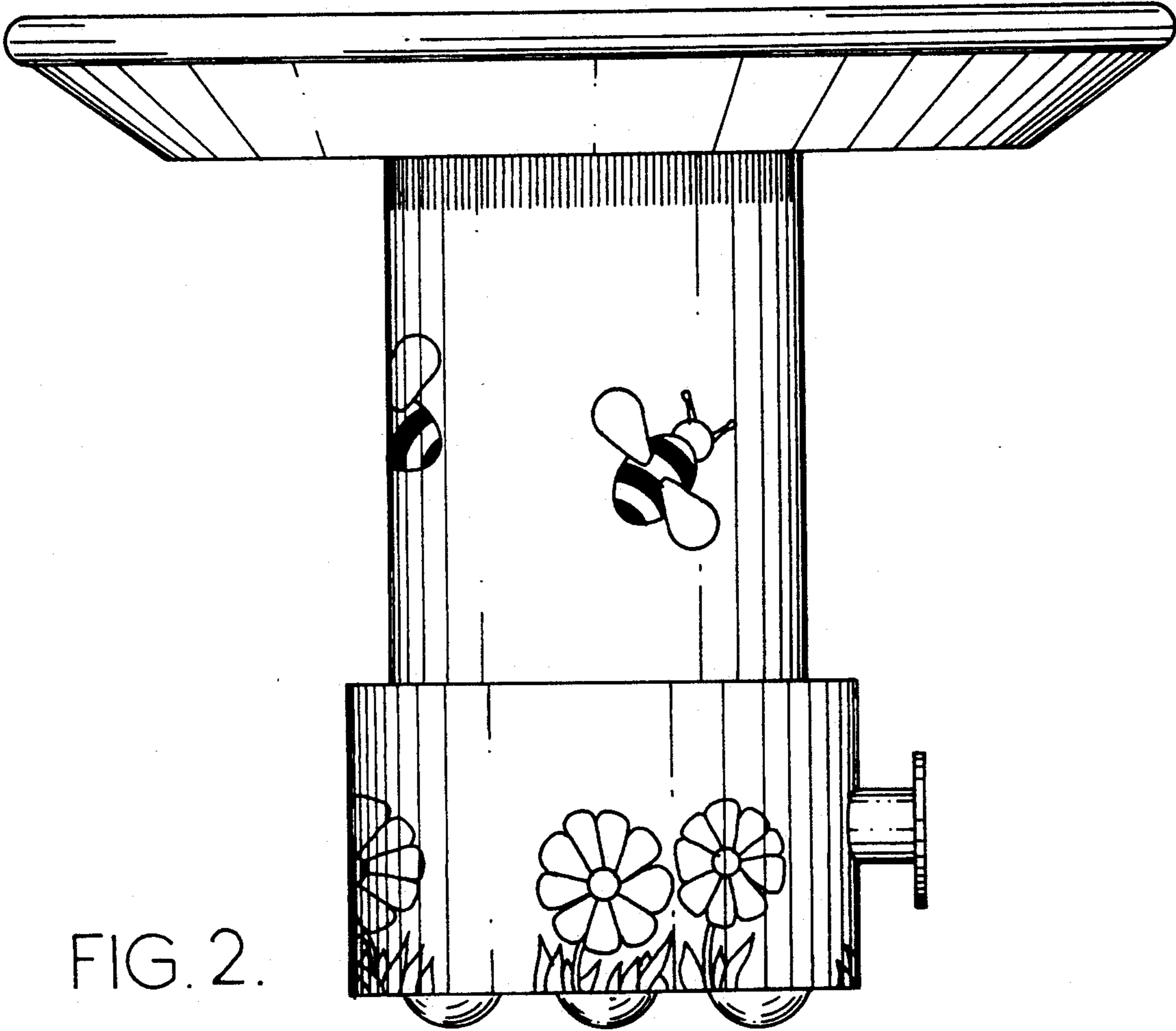


FIG. 2.

FIG. 4.

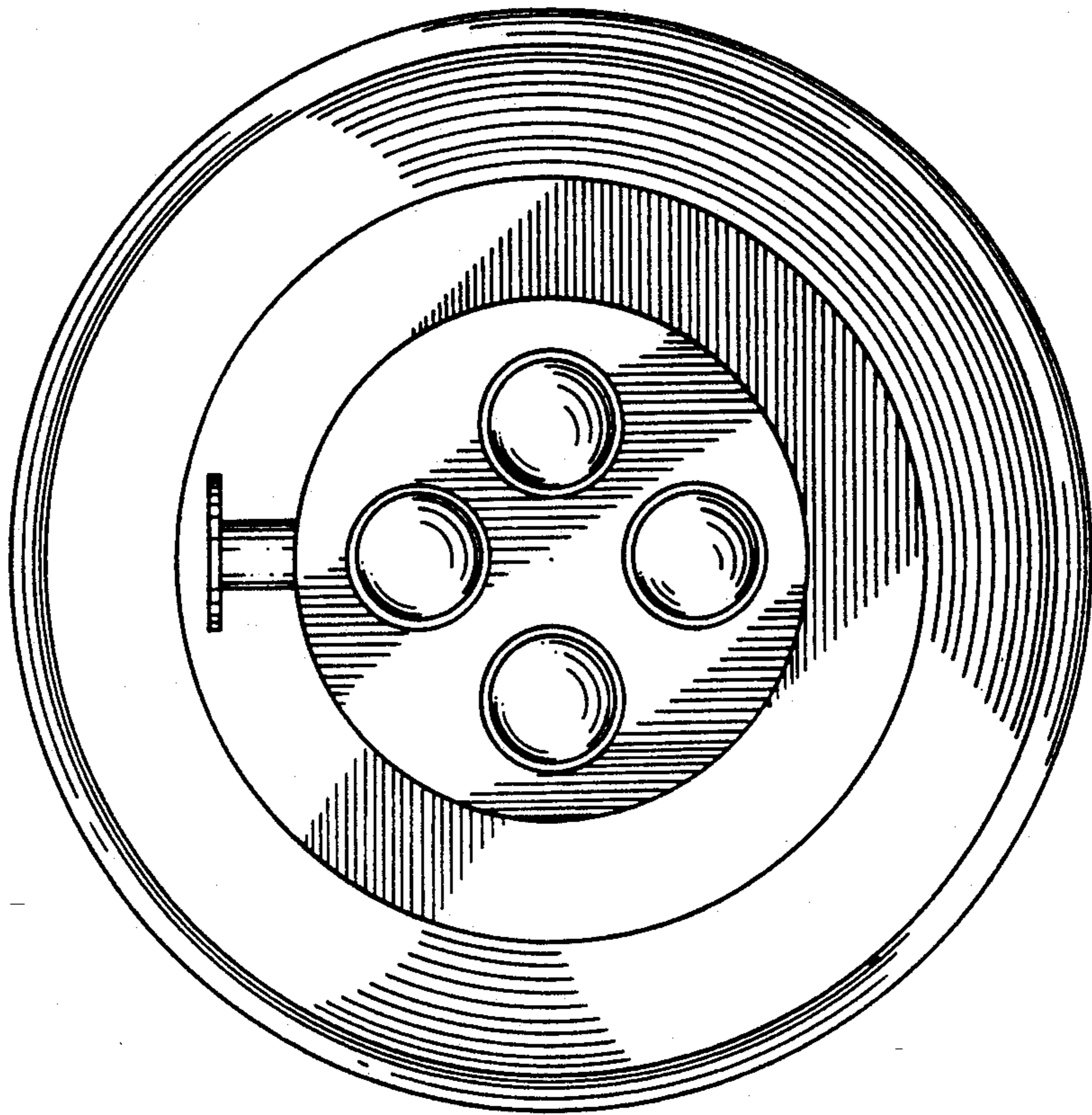
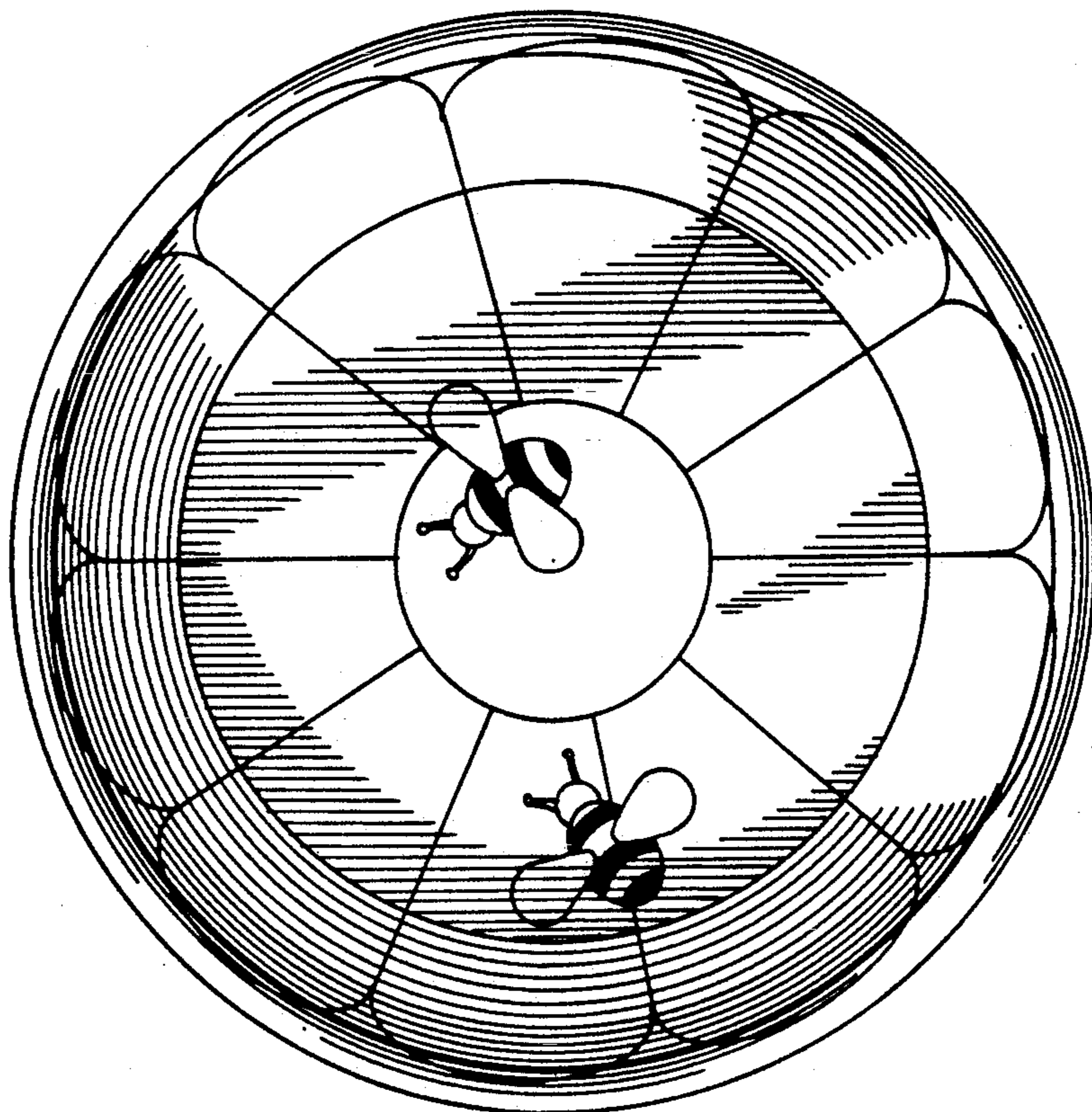


FIG. 3.



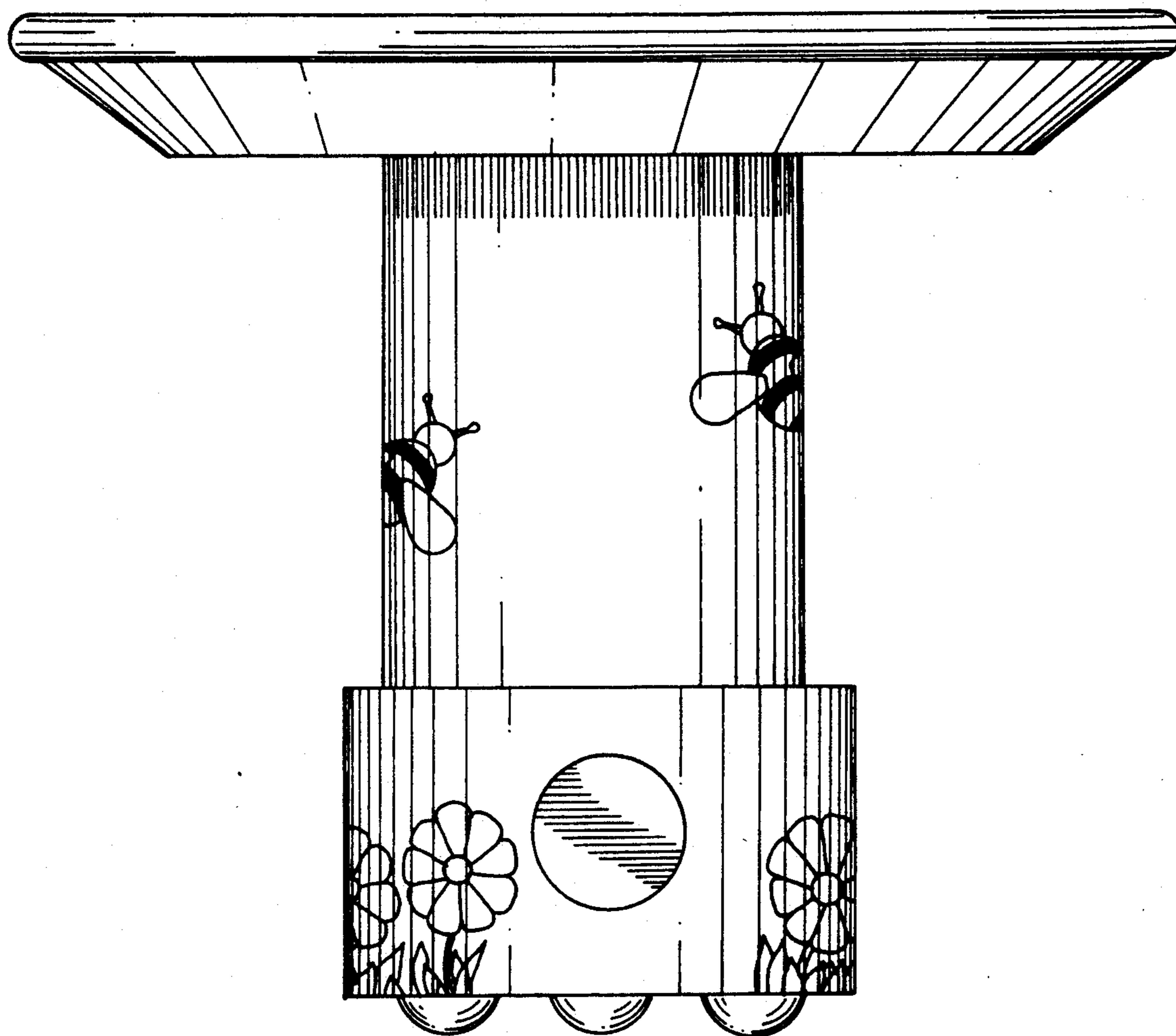


FIG. 5.