



US00D338431S

United States Patent [19]

[11] Patent Number: **Des. 338,431**

Abele

[45] Date of Patent: **** Aug. 17, 1993**

[54] **AUTOMOBILE**

[75] Inventor: **Lawrence E. Abele, Long Beach, Calif.**

[73] Assignee: **Isuzu Motors Limited, Tokyo, Japan**

[**] Term: **14 Years**

[21] Appl. No.: **781,332**

[22] Filed: **Oct. 21, 1991**

[52] U.S. Cl. **D12/91**

[58] Field of Search **D12/90-92; 296/185**

"Feel the Beat," Nissan Motor Car Co., Ltd., Japan, 1989, 100 pages (note particularly pp. 97, 102, 108).
"Car Styling," Mar. 1991, 120 pages (note particularly pp. 16-19 and 22-23).

Primary Examiner—James M. Gandy
Attorney, Agent, or Firm—Thomas A. Gallagher; David N. Lathrop

[57] CLAIM

The ornamental design for an automobile, as shown and described.

DESCRIPTION

FIG. 1 is a front, right side perspective view of an automobile showing my new design, it being understood that the opposite side is substantially a mirror image thereof;

FIG. 2 is a rear, right side perspective view thereof, it being understood that the opposite side is substantially a mirror image thereof;

FIG. 3 is a top plan view thereof;

FIG. 4 is a right side elevation view thereof, it being understood that the opposite side is substantially a mirror image thereof;

FIG. 5 is a front elevation view thereof; and,

FIG. 6 is a rear elevation view thereof.

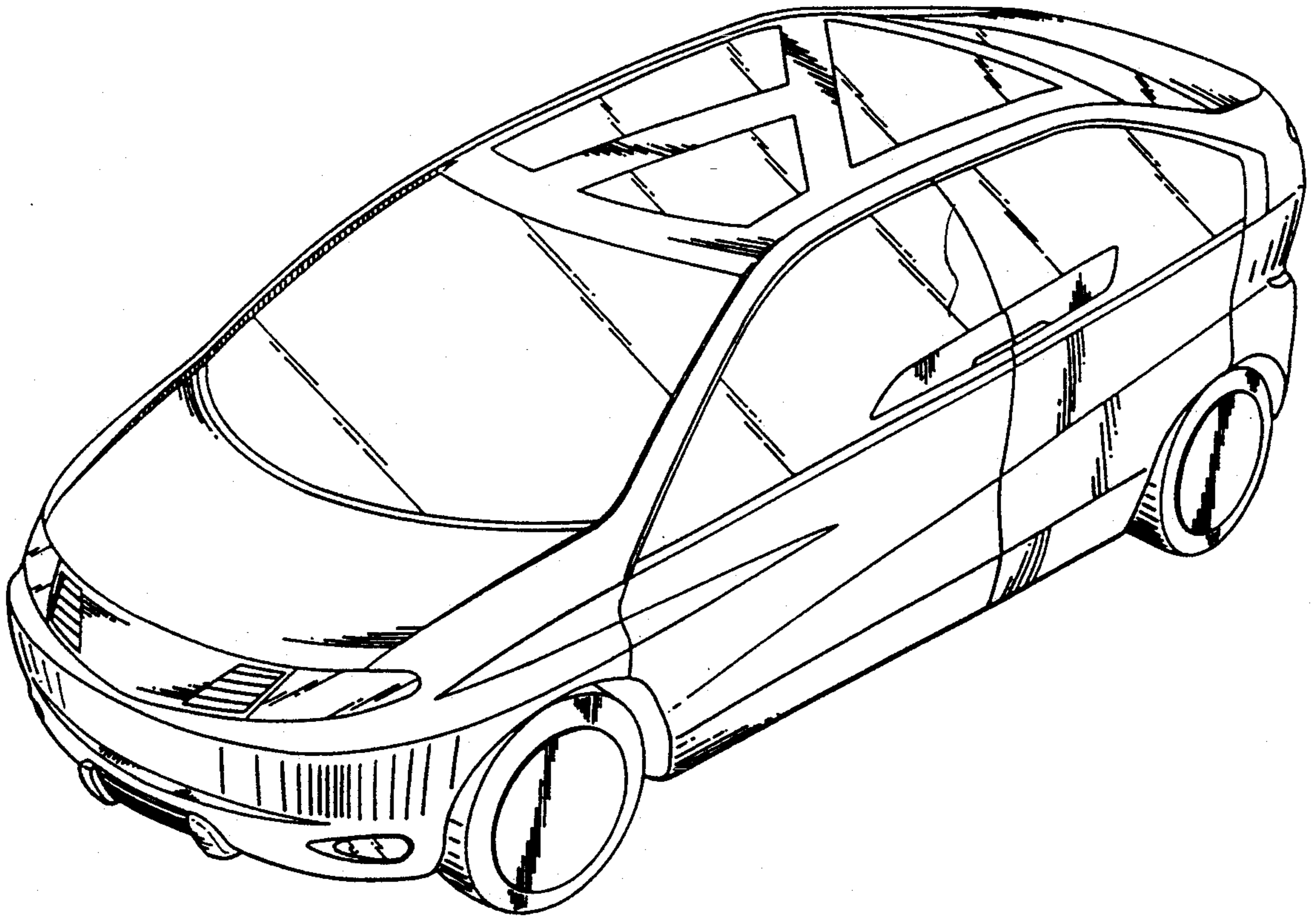
[56] References Cited PUBLICATIONS

Popular Mechanics, Apr. 1989, p. 71, Chrysler Millennium Automobile, center of page.

Motor Trend, Mar. 1990, p. 28, Nissan Primera Automobile, top of page.

Car & Driver, Apr. 1990, p. 27, Eagle Optima Automobile, top of page.

New York Times, Mar. 31, 1991, p. 185, Dodge Neon Automobile, fourth vehicle down from right side of page.



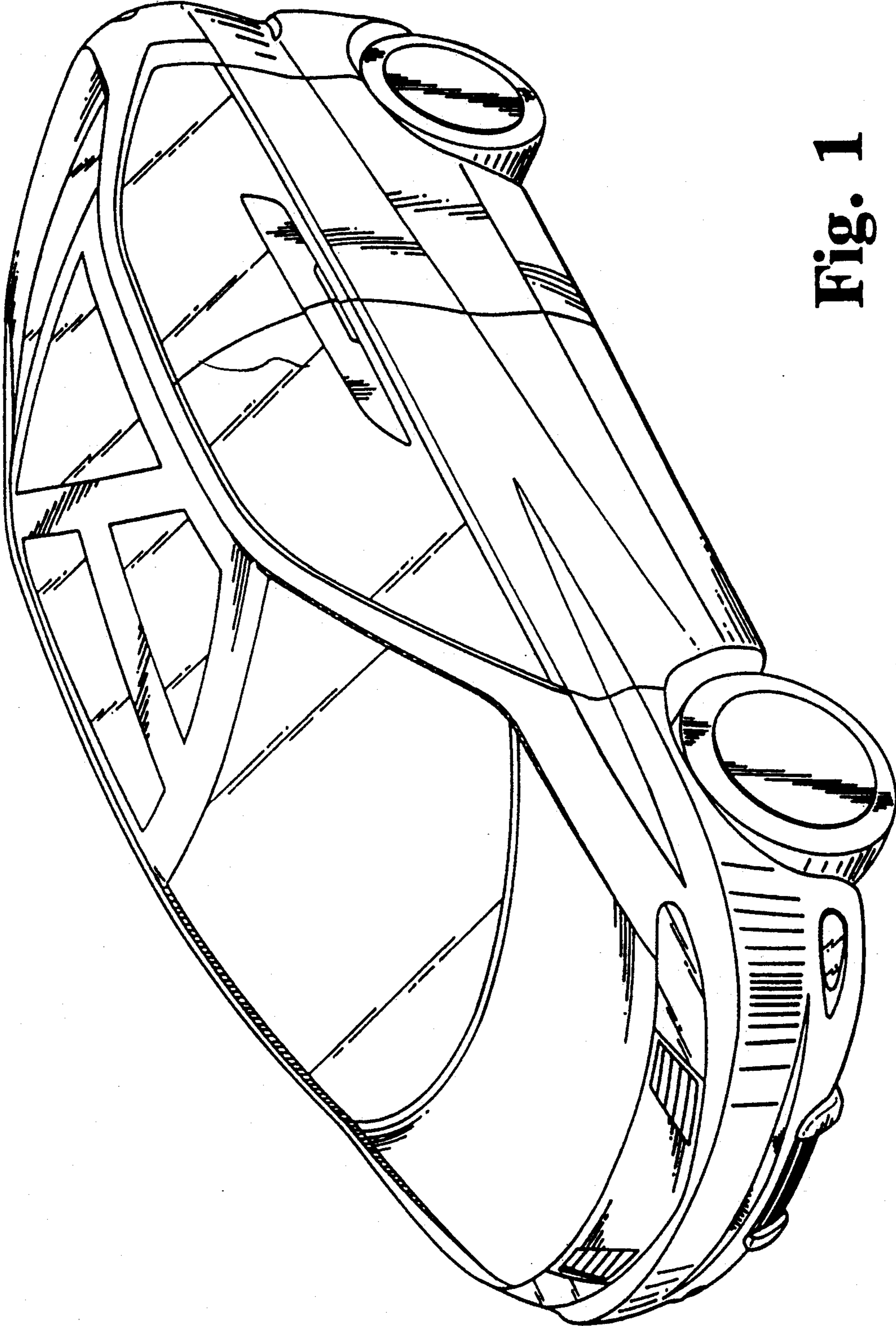


Fig. 1

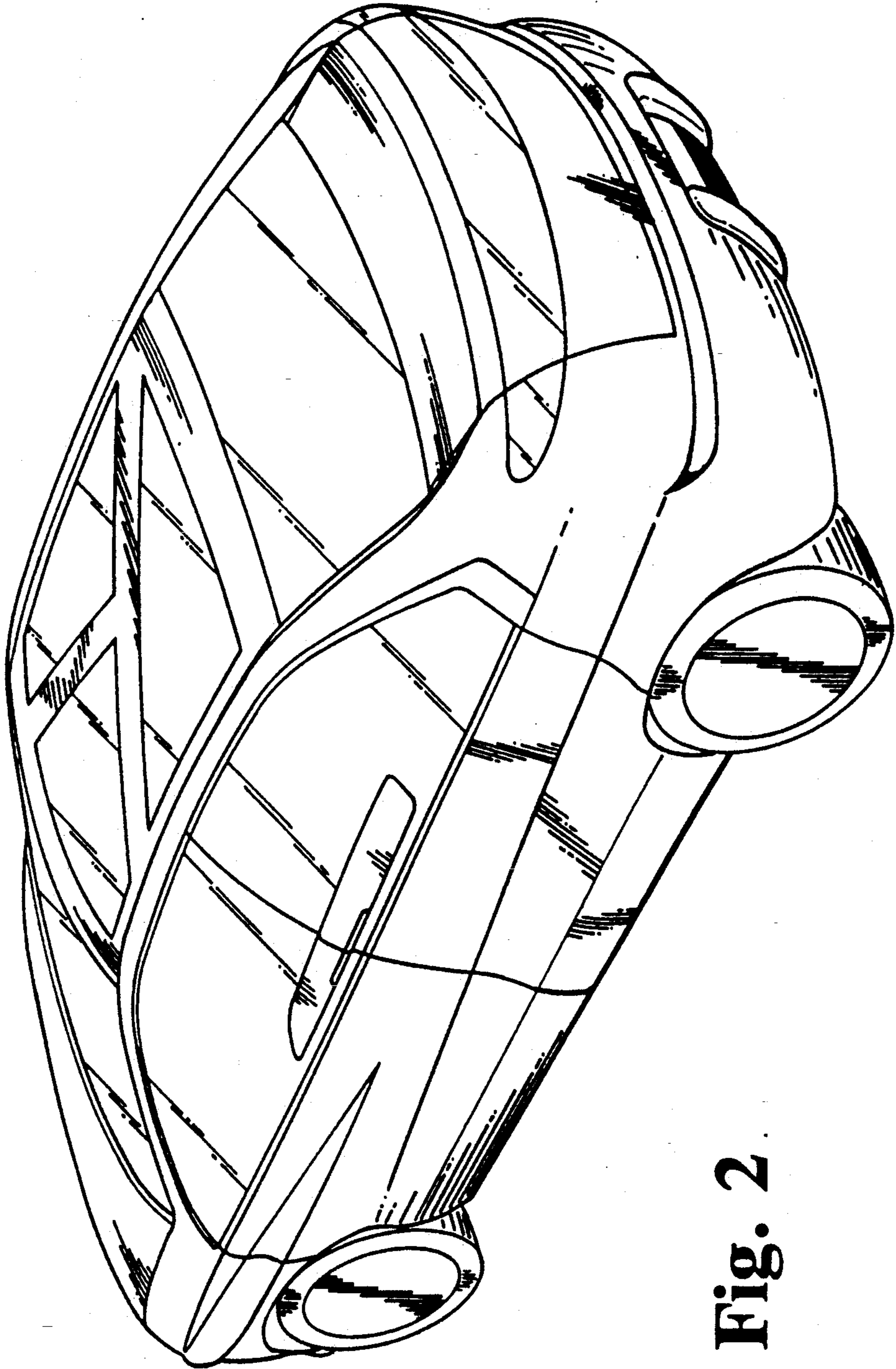


Fig. 2

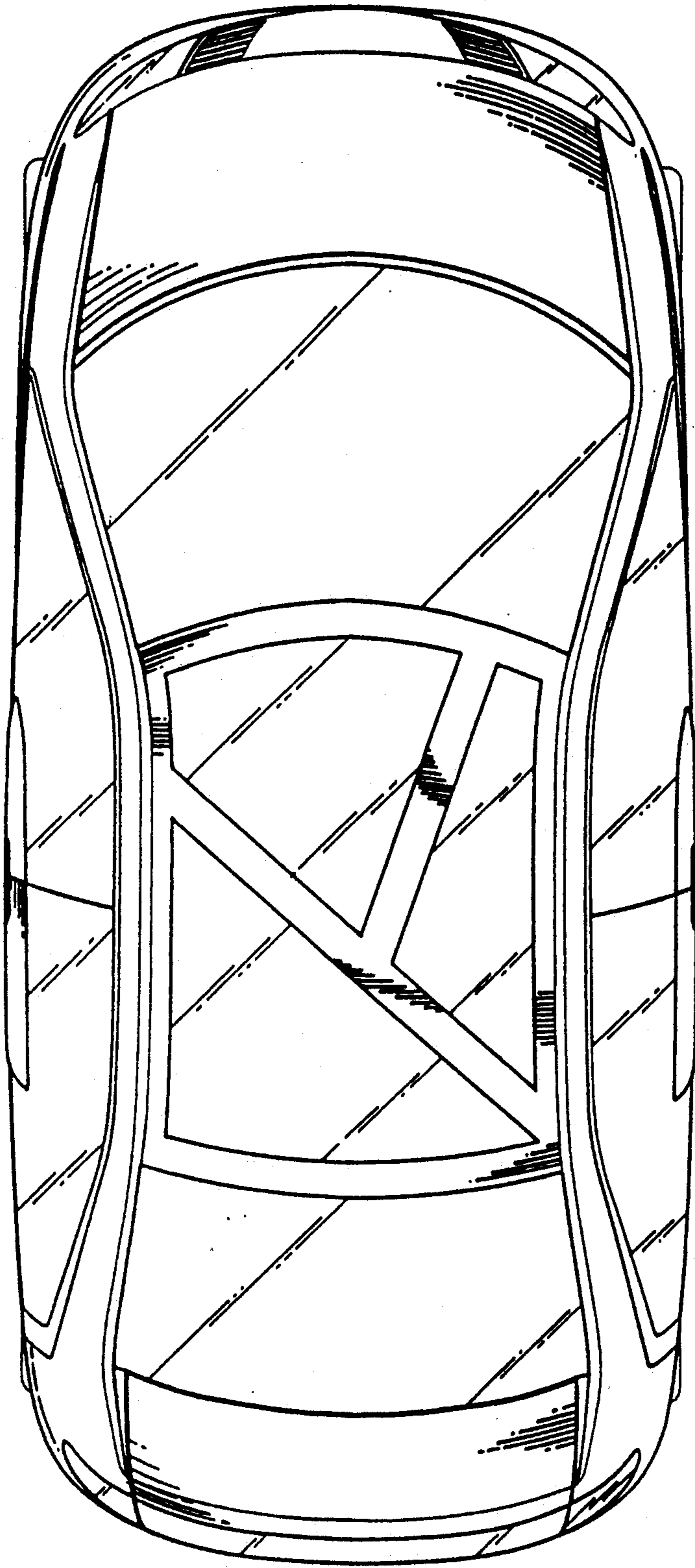


Fig. 3

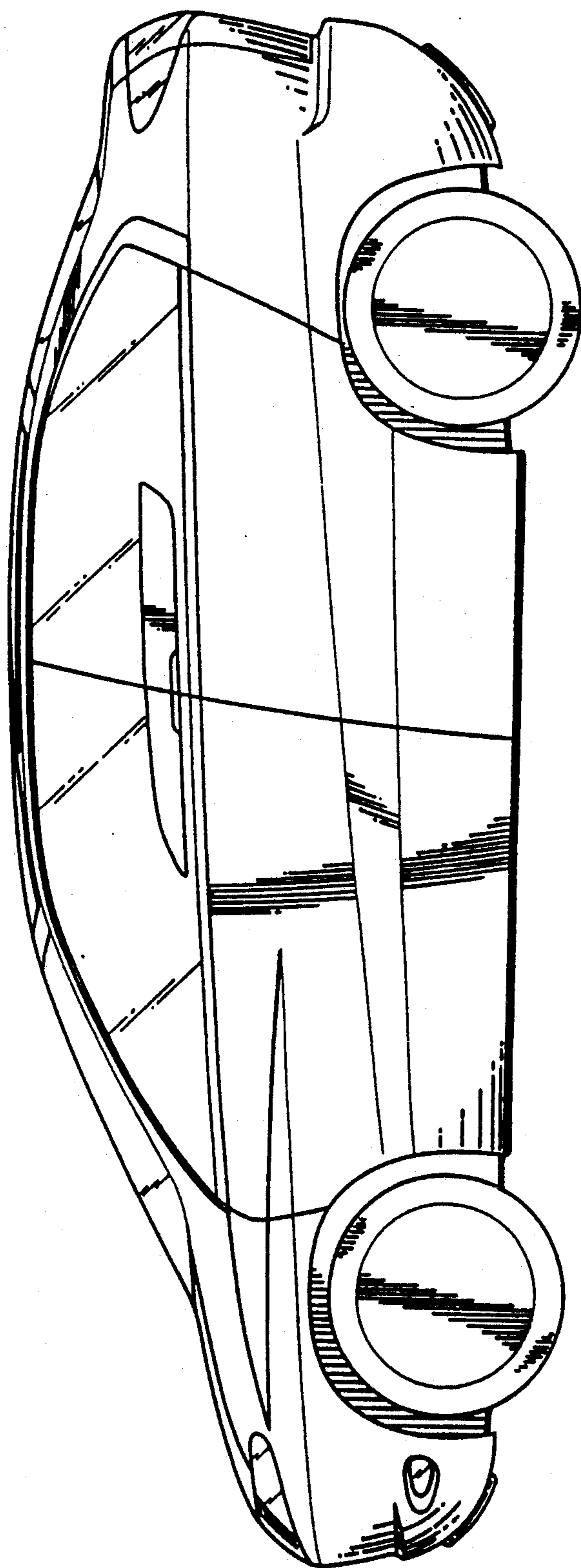


Fig. 4

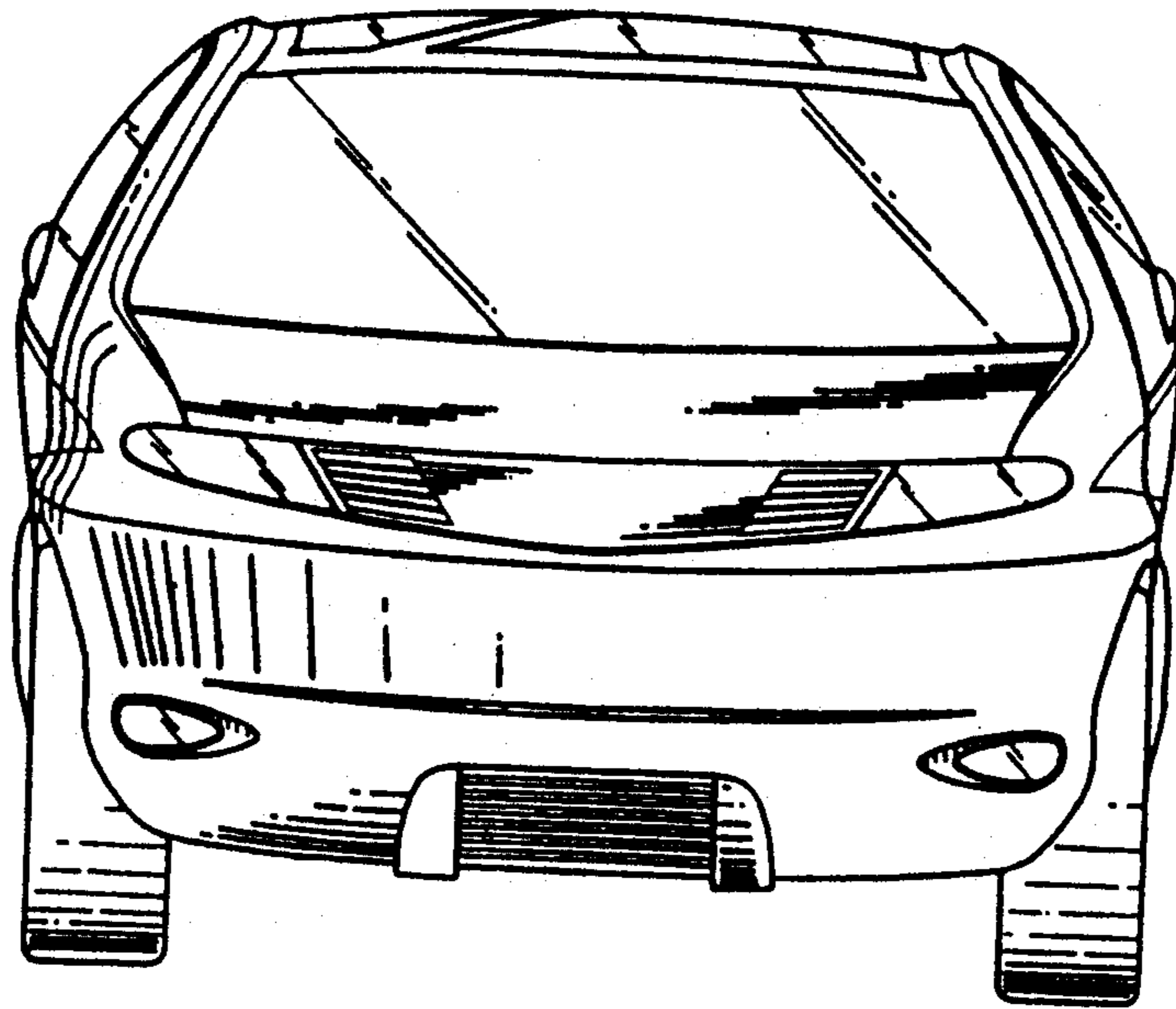


Fig. 5

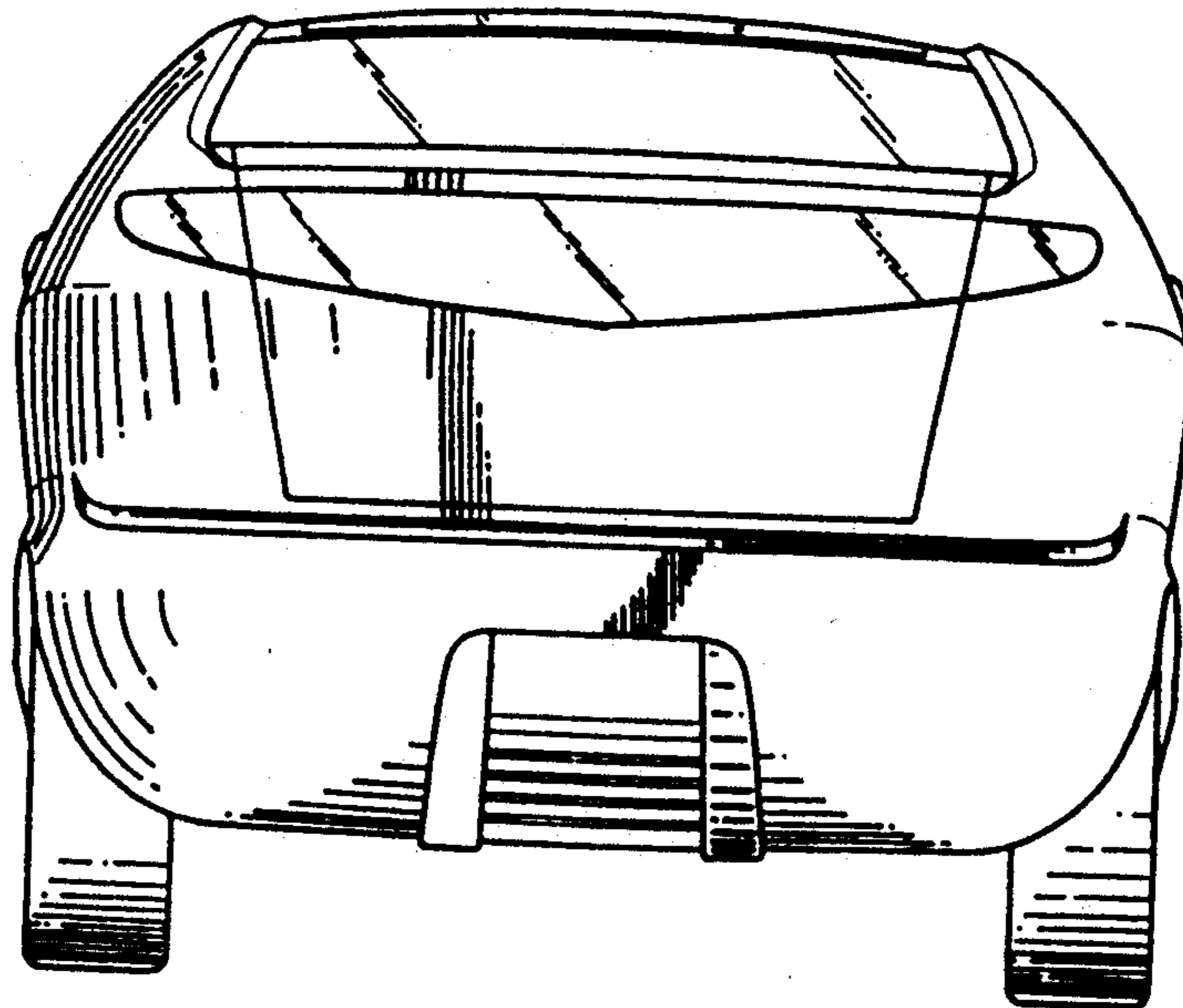


Fig. 6