



US00D338428S

United States Patent [19]

[11] Patent Number: **Des. 338,428**

Grosfillex

[45] Date of Patent: **** Aug. 17, 1993**

[54] **COMBINED PLANTER AND TRAY**

4,442,629 4/1984 Anderson 47/71

[76] Inventor: **Raymond Grosfillex, Rue de la Montague, Oyonnax, France, 01107**

Primary Examiner—B. J. Bullock
Attorney, Agent, or Firm—Dowell & Dowell

[**] Term: **14 Years**

[57] **CLAIM**

[21] Appl. No.: **607,091**

The ornamental design for a combined planter and tray, as shown and described.

[22] Filed: **Oct. 31, 1990**

DESCRIPTION

[30] **Foreign Application Priority Data**

May 15, 1990 [IB] Int'l Pat. Institute DMA/001237

[52] U.S. Cl. **D11/156**

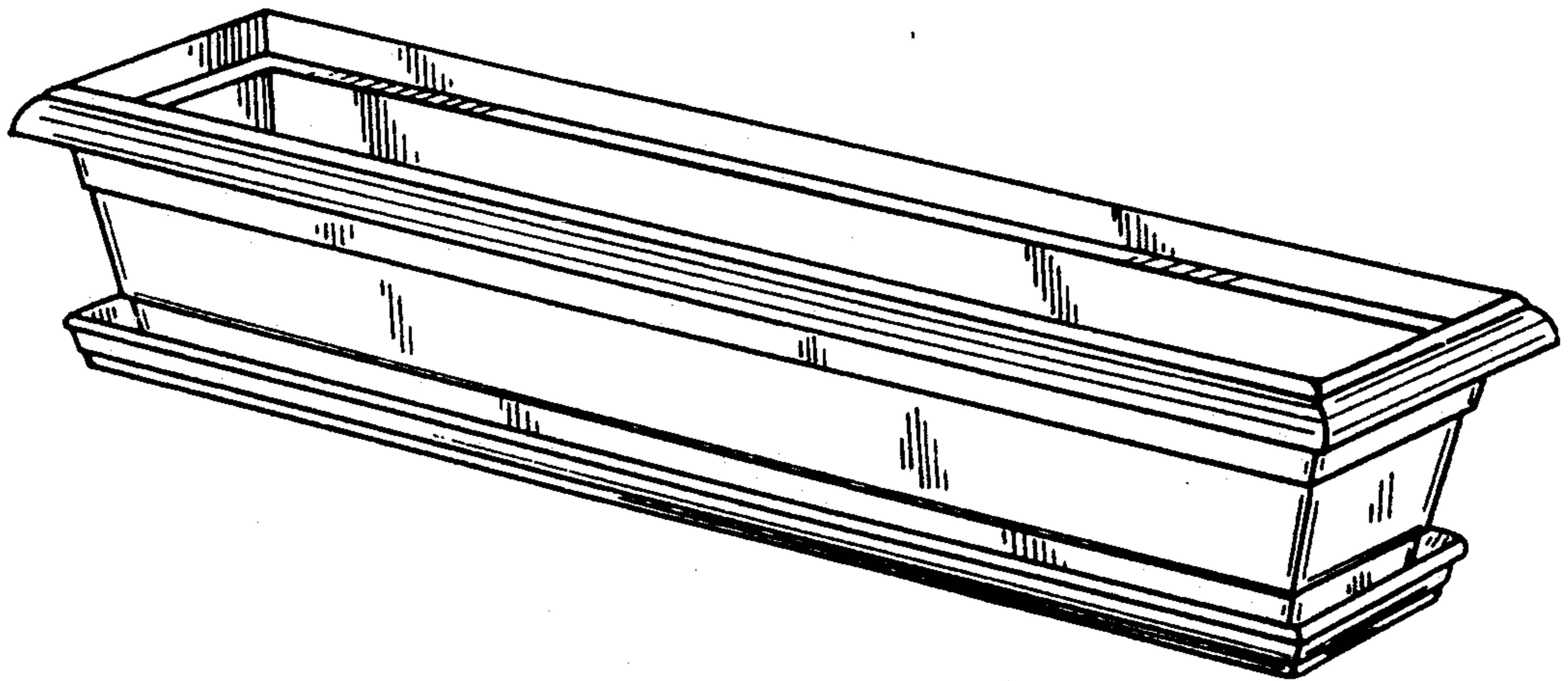
[58] Field of Search **D11/143, 152, 153, 155, D11/156; 47/66, 68, 71, 72, 79**

FIG. 1 is a front perspective view of a combined planter and tray showing my new design;
FIG. 2 is a front elevational view thereof;
FIG. 3 is a bottom plan view thereof;
FIG. 4 is an enlarged right side orthographic view thereof, a view from the left side being the same;
FIG. 5 is a top plan view thereof;
FIG. 6 is a front perspective view of the planter shown separately for clarity of illustration;
FIG. 7 is a front elevational view of FIG. 6; and,
FIG. 8 is an enlarged right side elevational view of FIG. 6.

[56] **References Cited**

U.S. PATENT DOCUMENTS

- D. 118,230 12/1939 Fader D11/156
- D. 198,040 4/1964 Bonham et al. D11/152
- D. 252,869 9/1979 Dziejwski D11/156



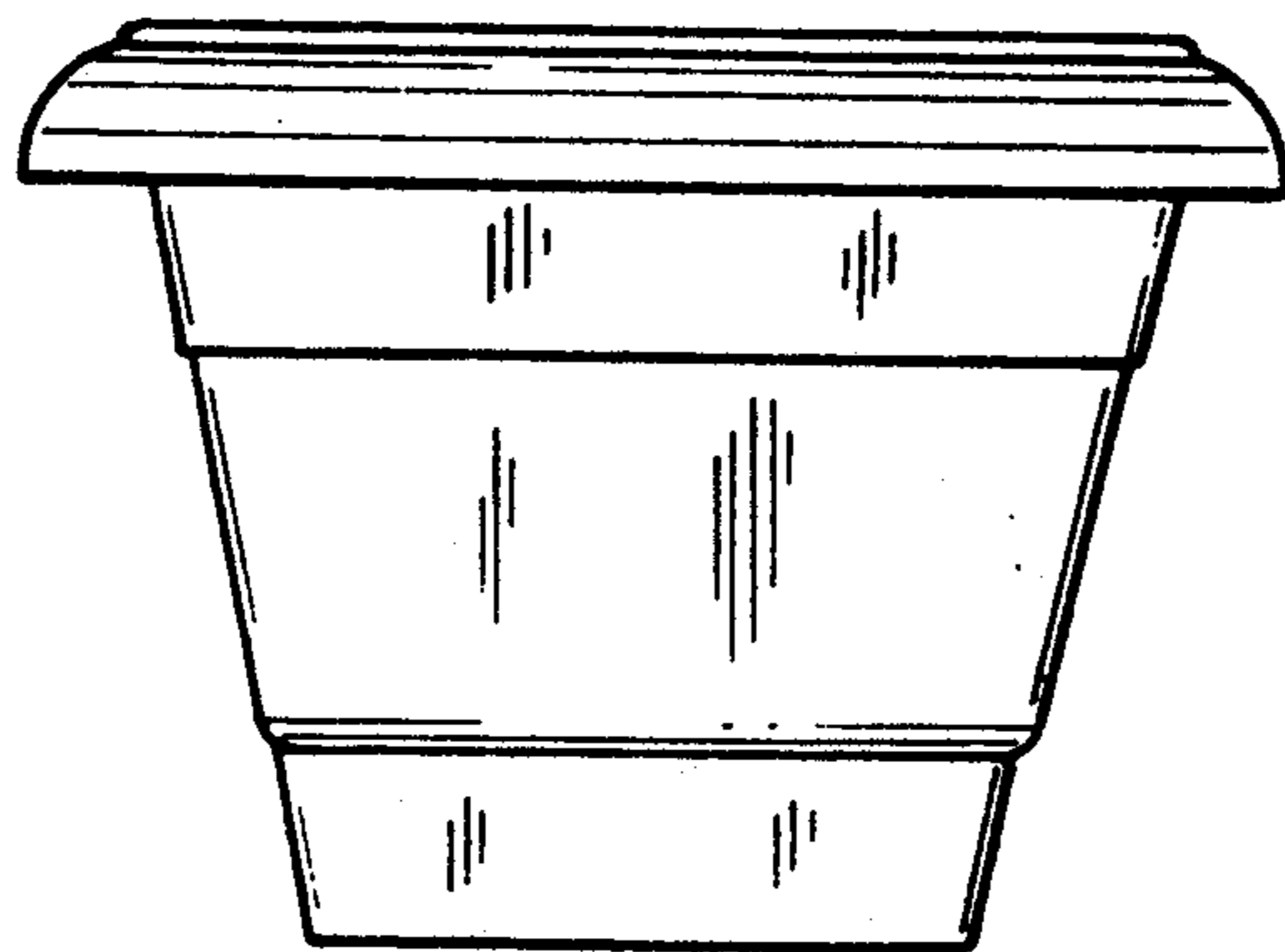


FIG. 8

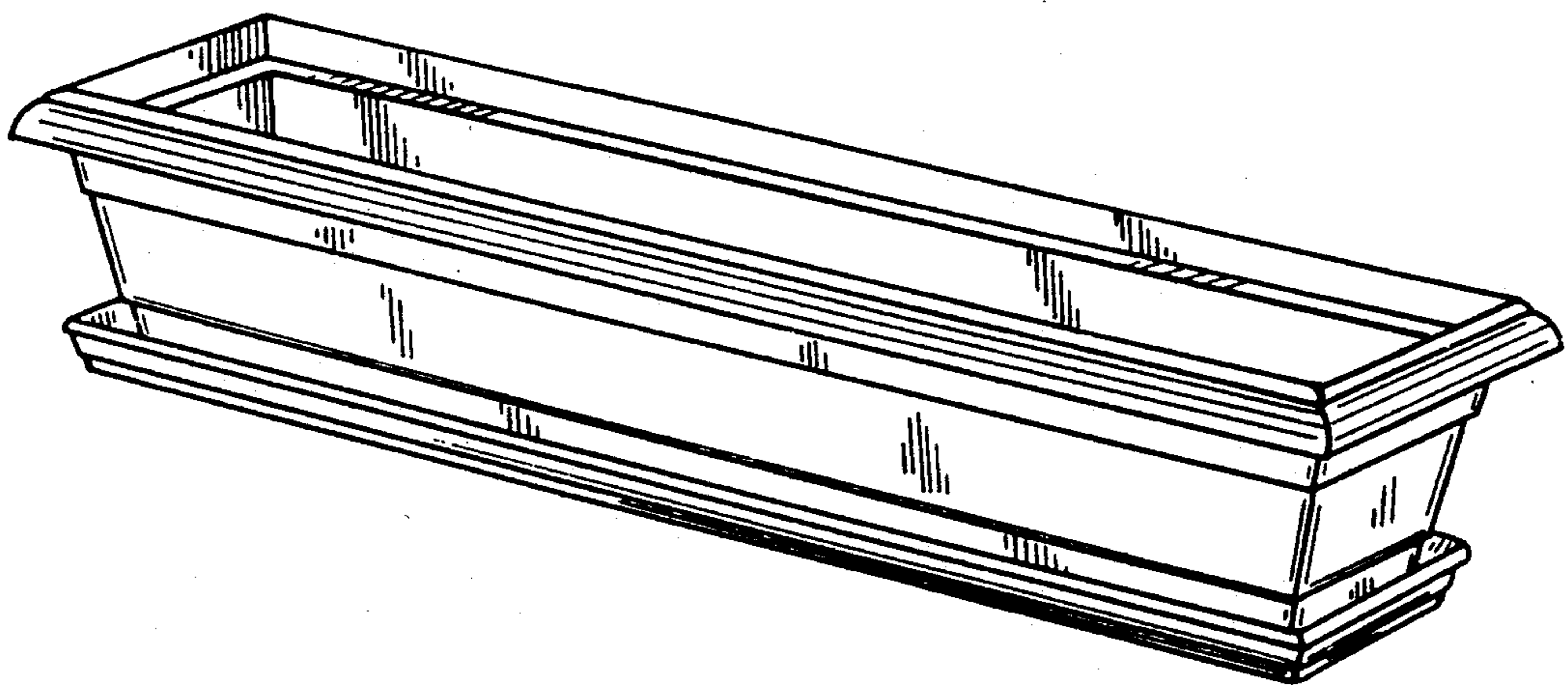


FIG. 1

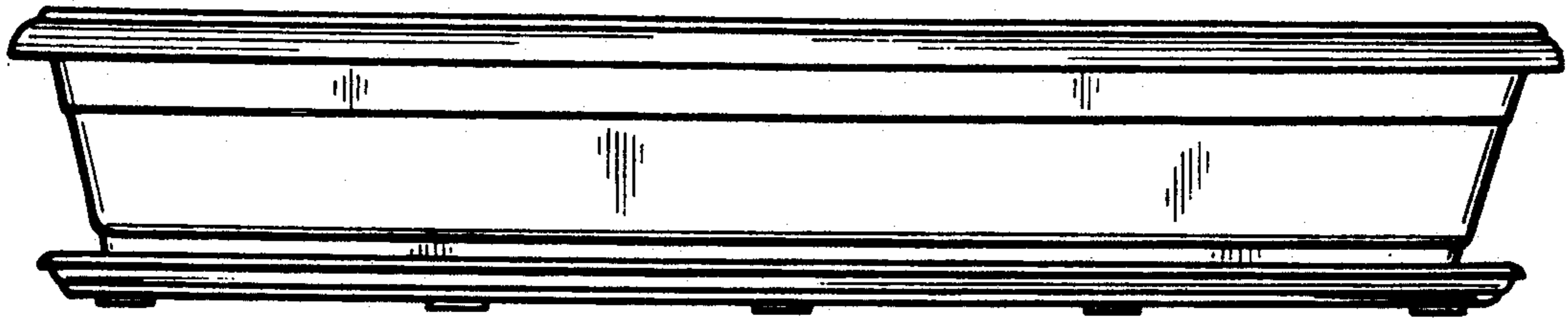


FIG. 2

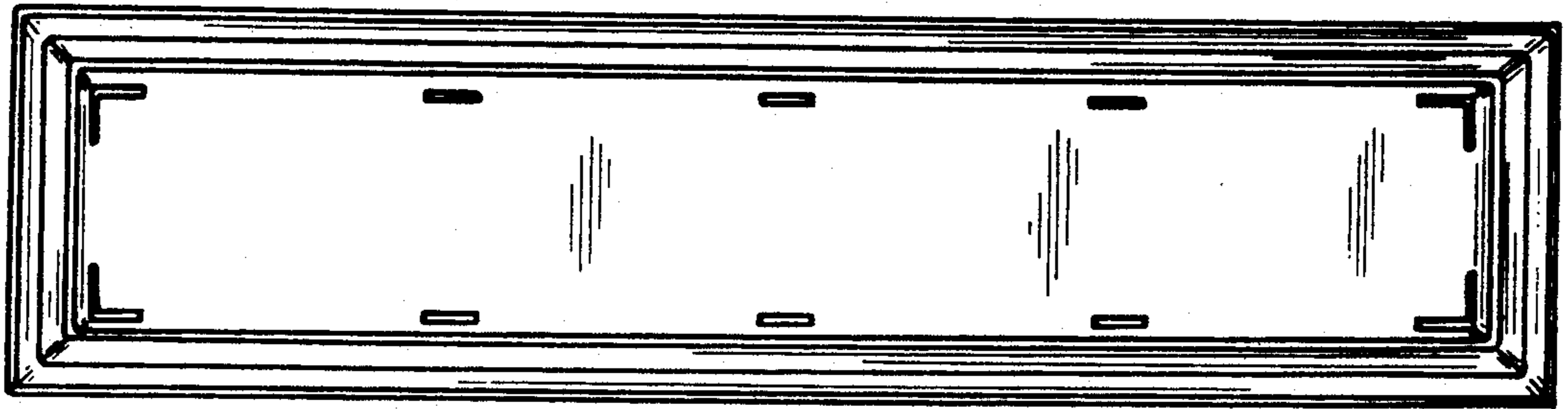


FIG. 3

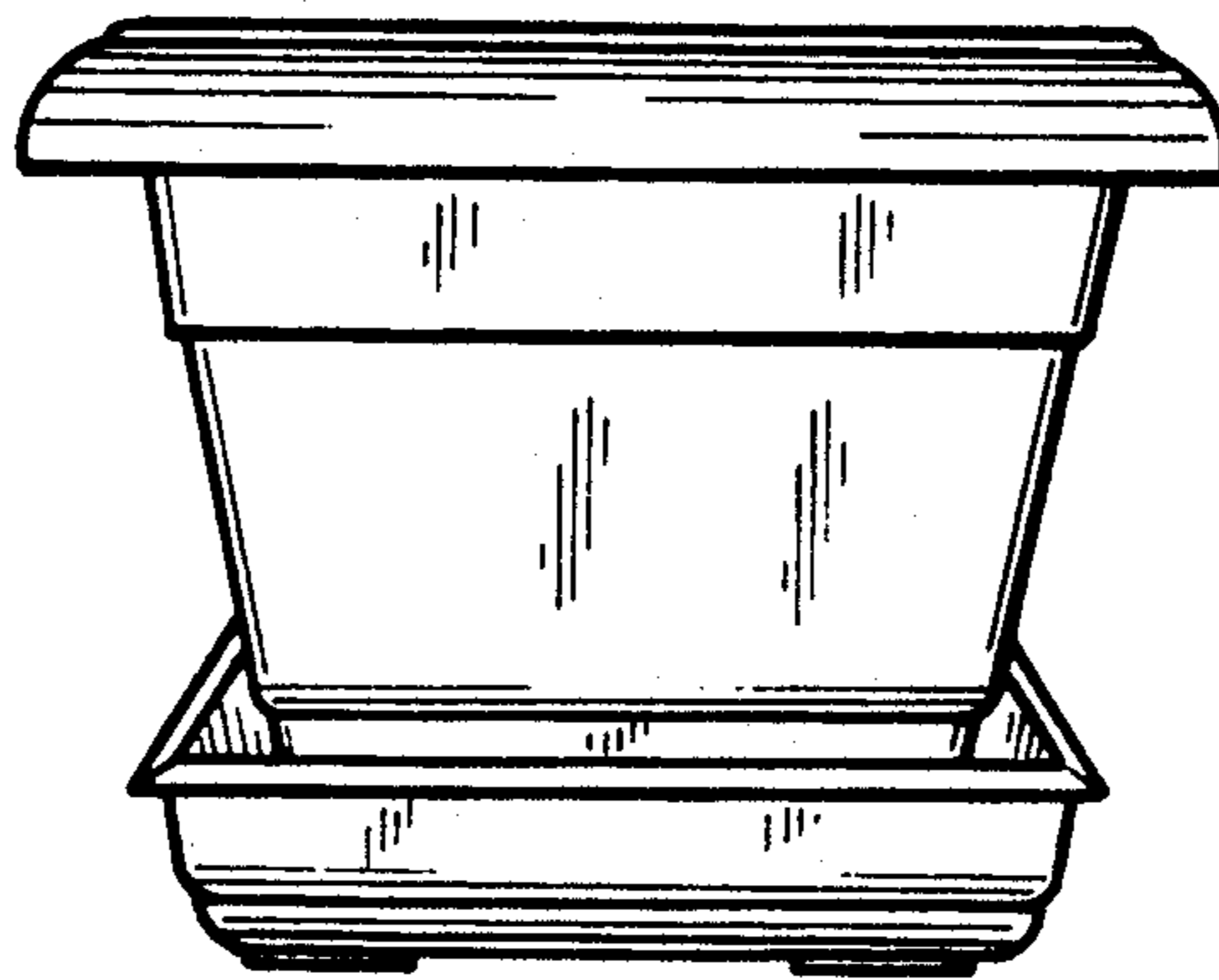


FIG. 4

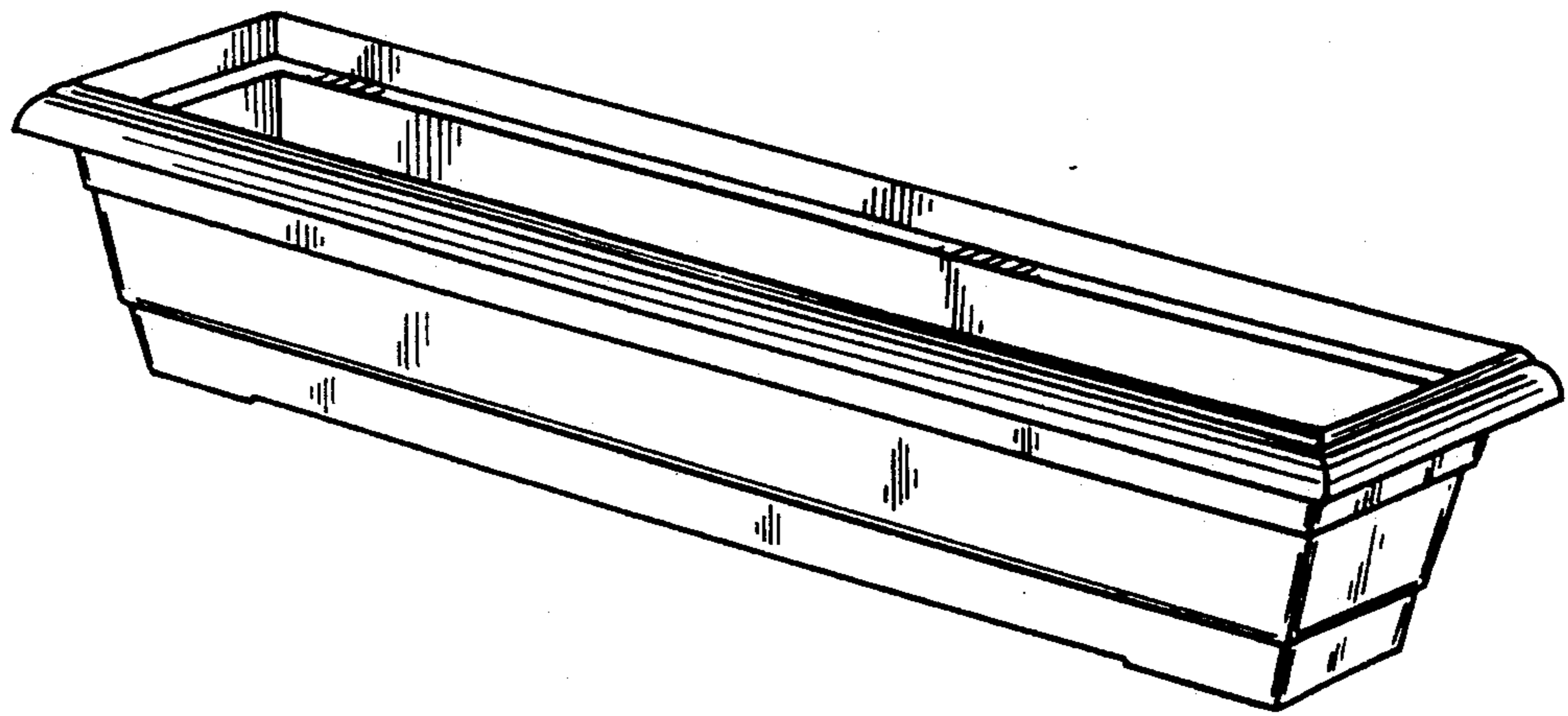


FIG. 6

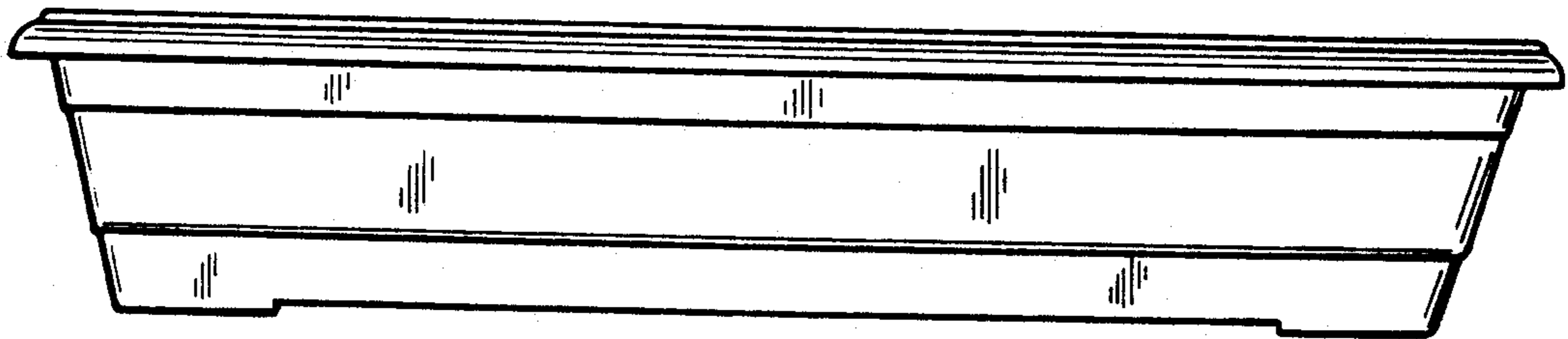


FIG. 7

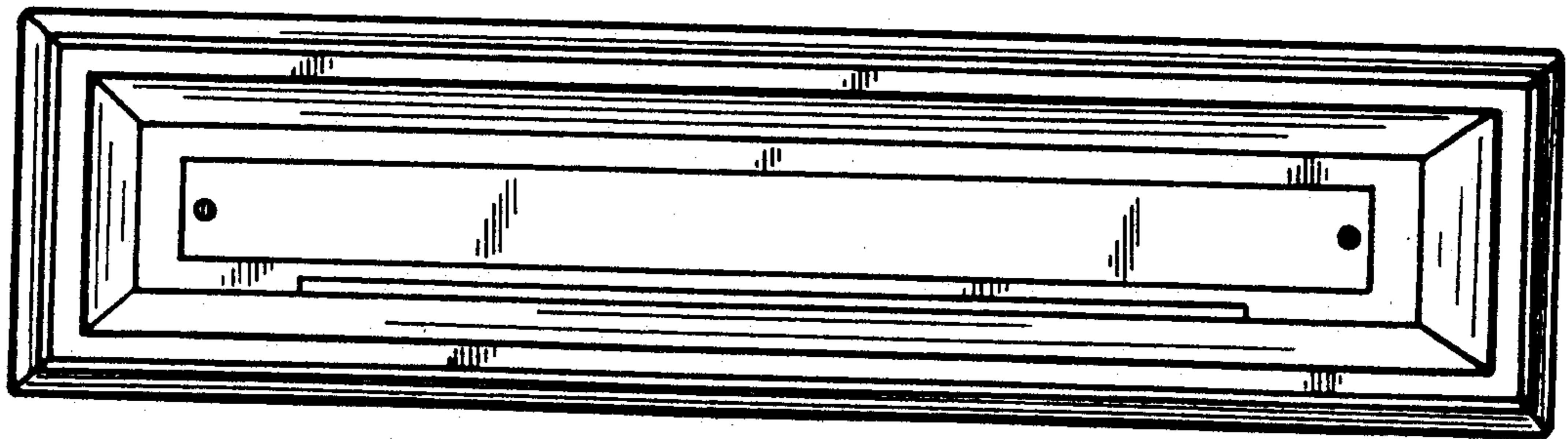


FIG. 5