



US00D338420S

United States Patent [19]

[11] Patent Number: **Des. 338,420**

Workman

[45] Date of Patent: **** Aug. 17, 1993**

[54] **HAND-HELD RADAR**

D. 278,215	4/1985	Patterson	D10/106
D. 293,893	11/1987	Bakula et al.	D10/112
D. 312,053	11/1990	Jacobs et al.	D10/106

[75] Inventor: **James P. Workman**, Spring Hill, Kans.

Primary Examiner—Wallace R. Burke
Assistant Examiner—Marcus Jackson
Attorney, Agent, or Firm—Litman, McMahon & Brown

[73] Assignee: **CoPilot Electronic Products, Inc.**, Olathe, Kans.

[**] Term: **14 Years**

[57] **CLAIM**

[21] Appl. No.: **753,676**

The ornamental design for a hand-held radar, as shown and described.

[22] Filed: **Sep. 3, 1991**

DESCRIPTION

[52] U.S. Cl. **D10/104; D10/121**

FIG. 1 is a perspective view of a hand-held radar, showing my new design;

[58] Field of Search **D10/46, 104, 106, 112, D10/116, 121; 340/425.5, 933, 935, 936, 937, 942**

FIG. 2 is a right side elevational view thereof, the left side being a mirror image thereof;

FIG. 3 is a bottom plan view thereof;

FIG. 4 is a rear elevational view thereof;

FIG. 5 is a front elevational view thereof;

FIG. 6 is a top plan view thereof; and,

FIG. 7 is a perspective view from the rear, bottom and right side thereof.

[56] **References Cited**

U.S. PATENT DOCUMENTS

D. 188,109	6/1960	Sundberg	D10/121
D. 215,238	9/1969	Seidel	D10/46
D. 245,404	8/1977	Koncak et al.	D10/116

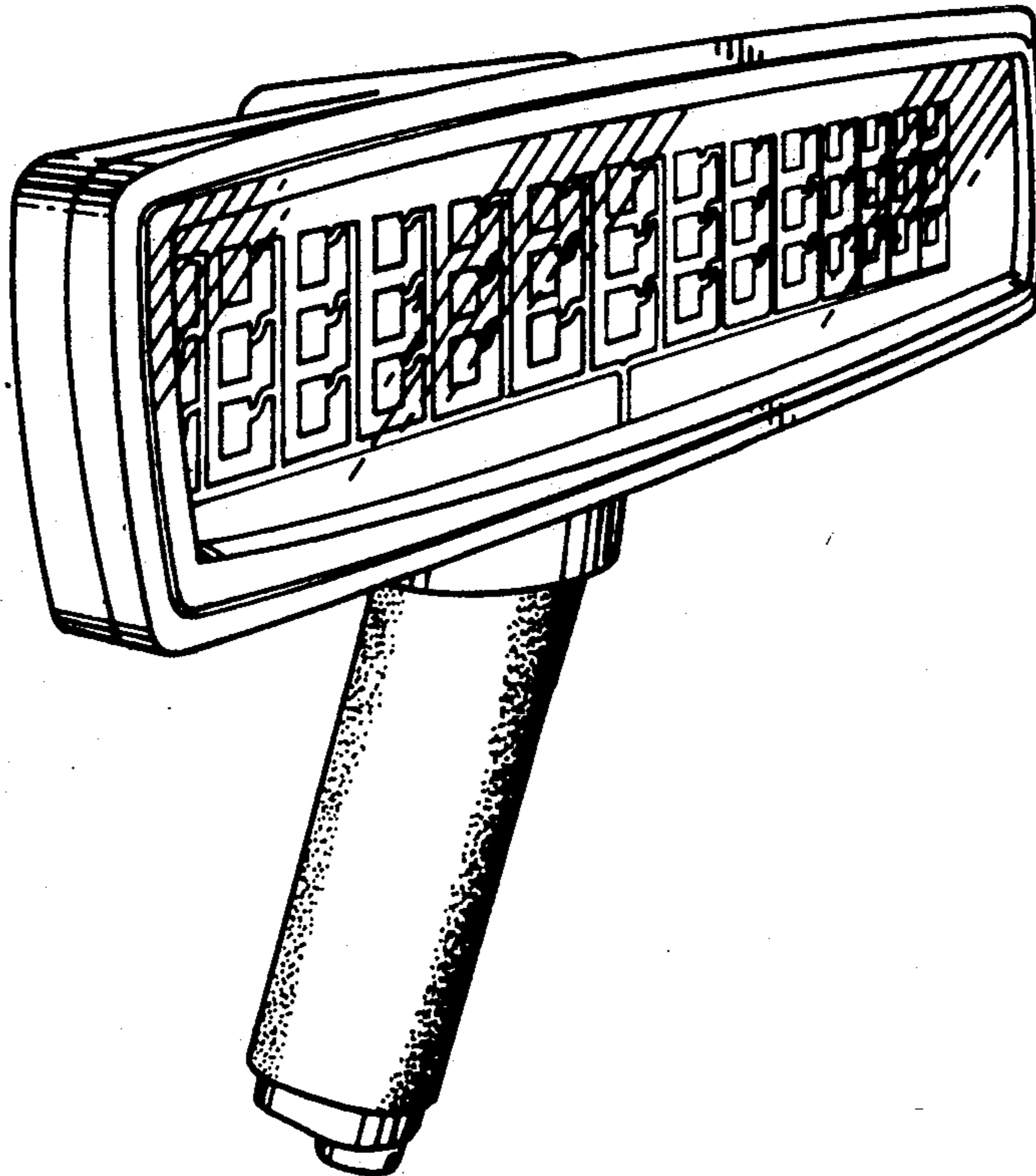


Fig. 1.

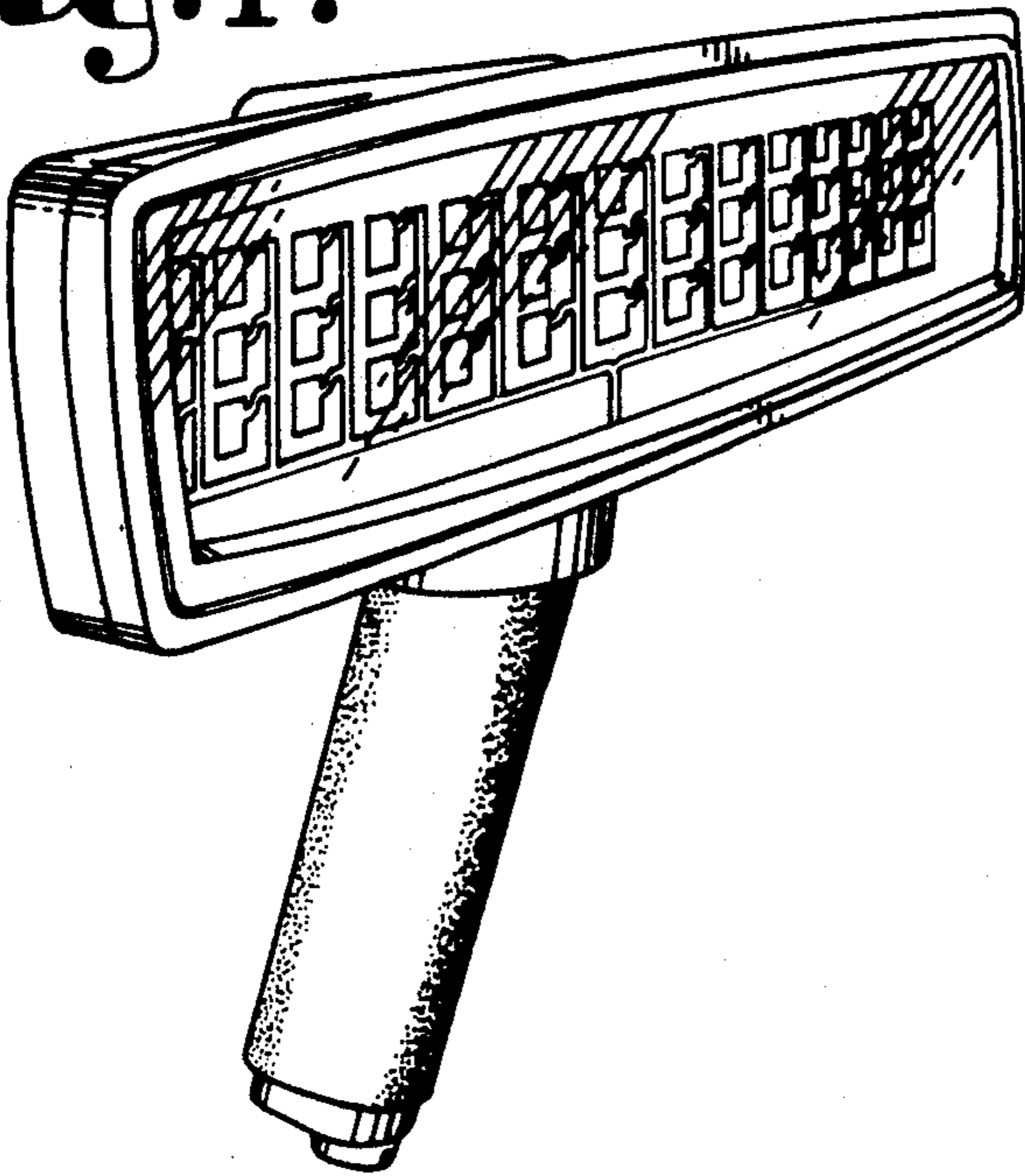


Fig. 2.

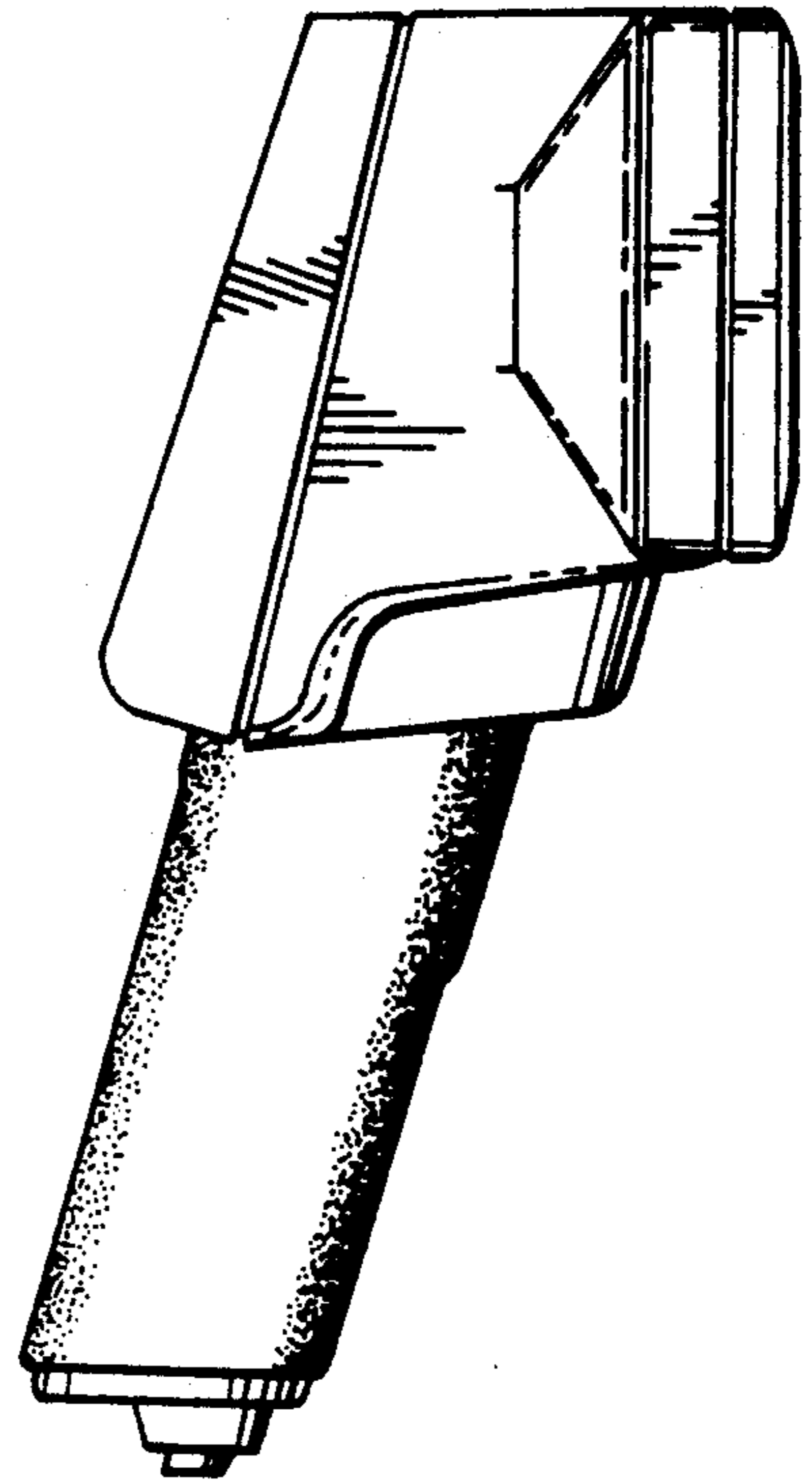


Fig. 3.

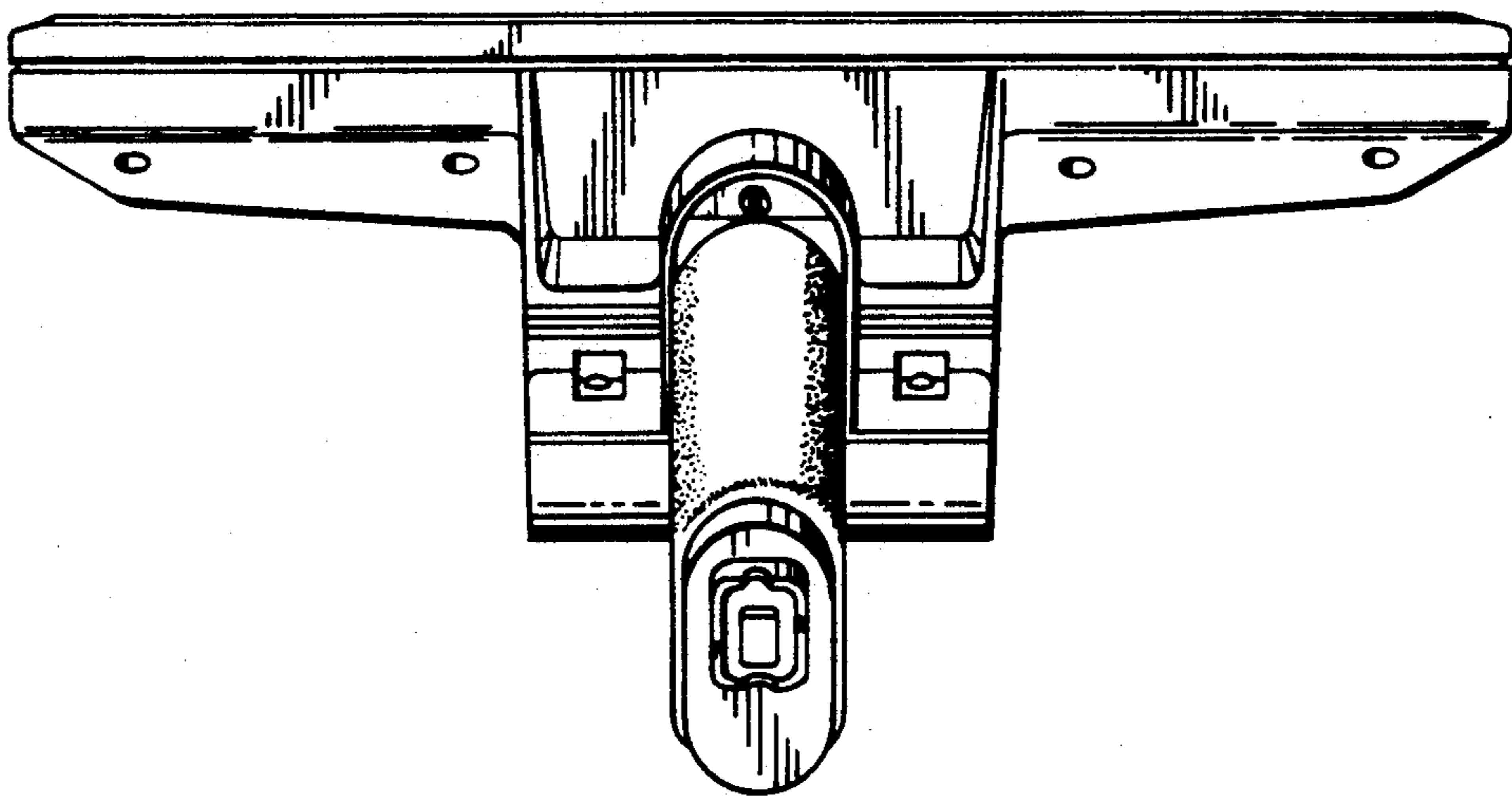


Fig. 4.

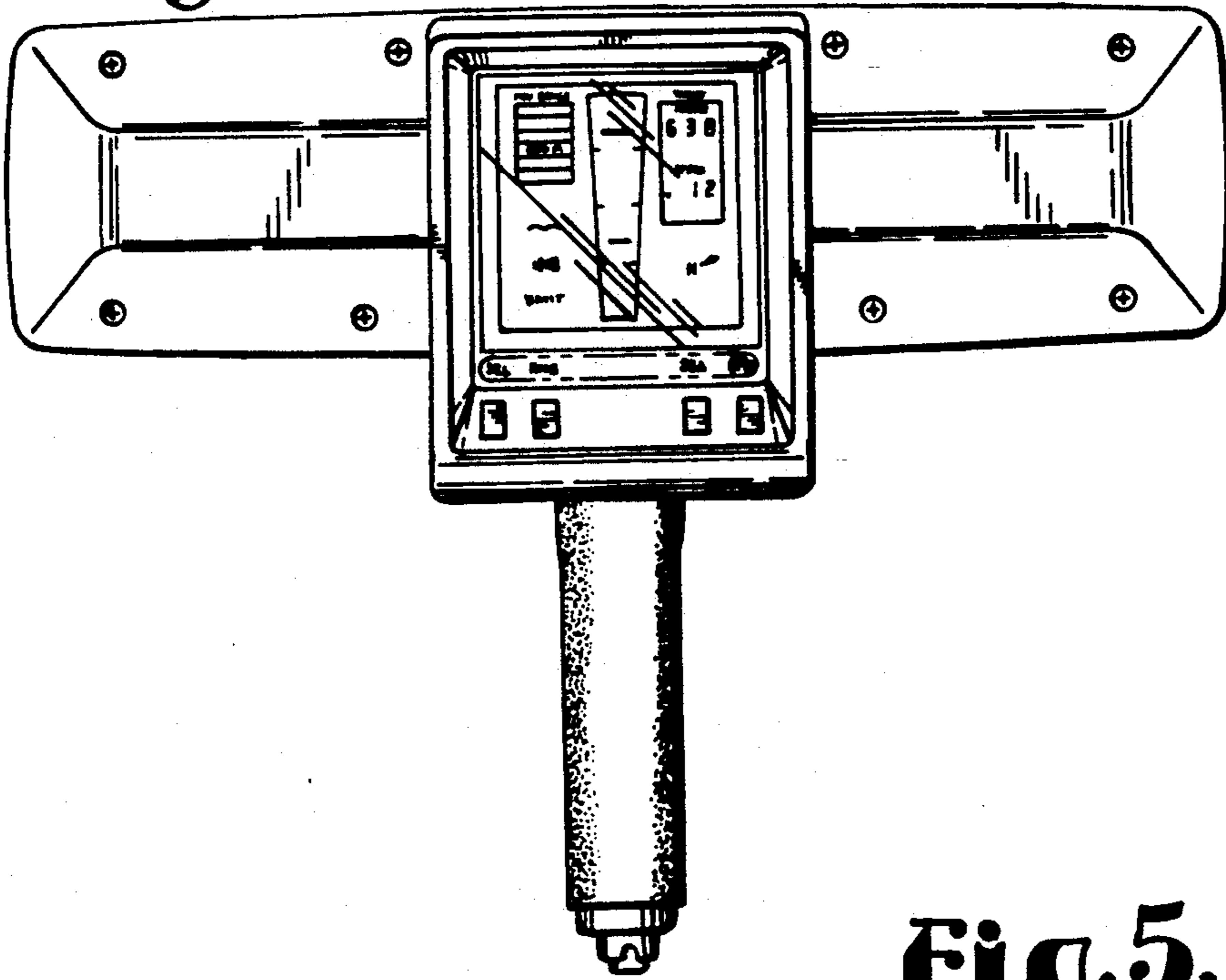


Fig. 5.

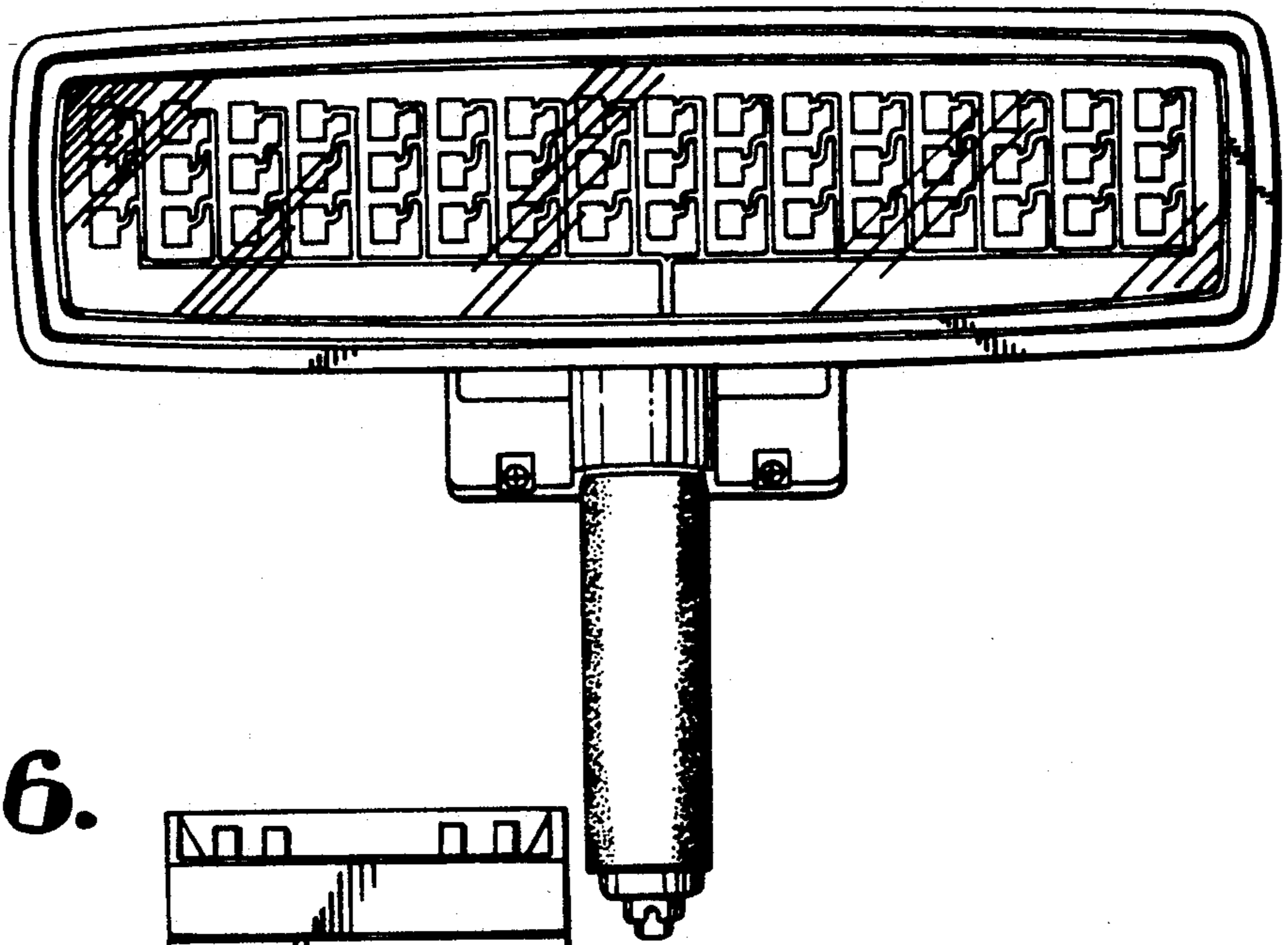


Fig. 6.

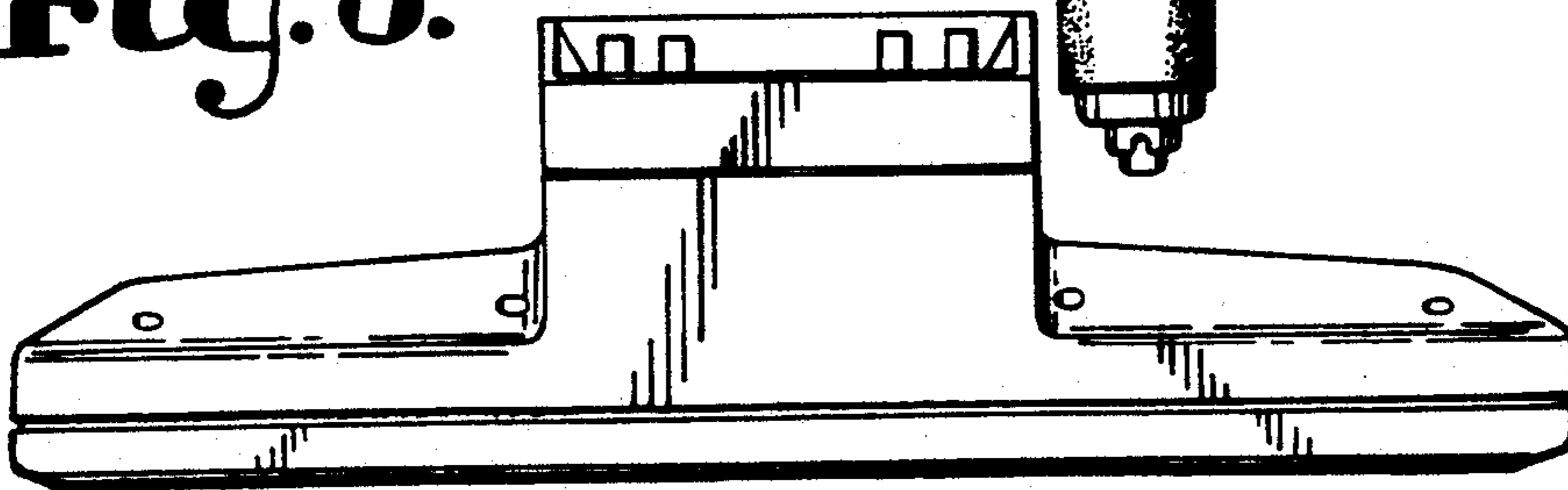


Fig. 7.

