



US00D338417S

# United States Patent [19]

[11] Patent Number: **Des. 338,417**

Van Aken et al.

[45] Date of Patent: **\*\* Aug. 17, 1993**

- [54] **PORTABLE SPECTROPHOTOMETER**
- [75] Inventors: **Harold Van Aken, Wallkill; Alan Kravetz; Kenneth Garde, both of New Windsor; William Weber, Wallkill; Joseph Corrado, Newburgh, all of N.Y.**
- [73] Assignee: **Kollmorgen Corporation, Waltham, Mass.**
- [\*\*] Term: **14 Years**
- [21] Appl. No.: **736,111**
- [22] Filed: **Jul. 26, 1991**
- [52] U.S. Cl. .... **D10/78; D10/81**
- [58] Field of Search ..... **D10/78, 81; 356/236, 356/328, 402-422, 432-435, 446**

3,923,399	12/1975	Brumley .....	356/328
3,994,590	11/1976	Di Martini et al. ....	356/407
4,076,421	2/1978	Kishner .	
4,917,495	4/1990	Steenhock .....	356/405 X
4,968,143	11/1990	Weston .....	356/328
5,083,868	1/1992	Anderson .....	D10/81 X

*Primary Examiner*—Alan P. Douglas  
*Assistant Examiner*—A. D. Davis  
*Attorney, Agent, or Firm*—Morgan & Finnegan

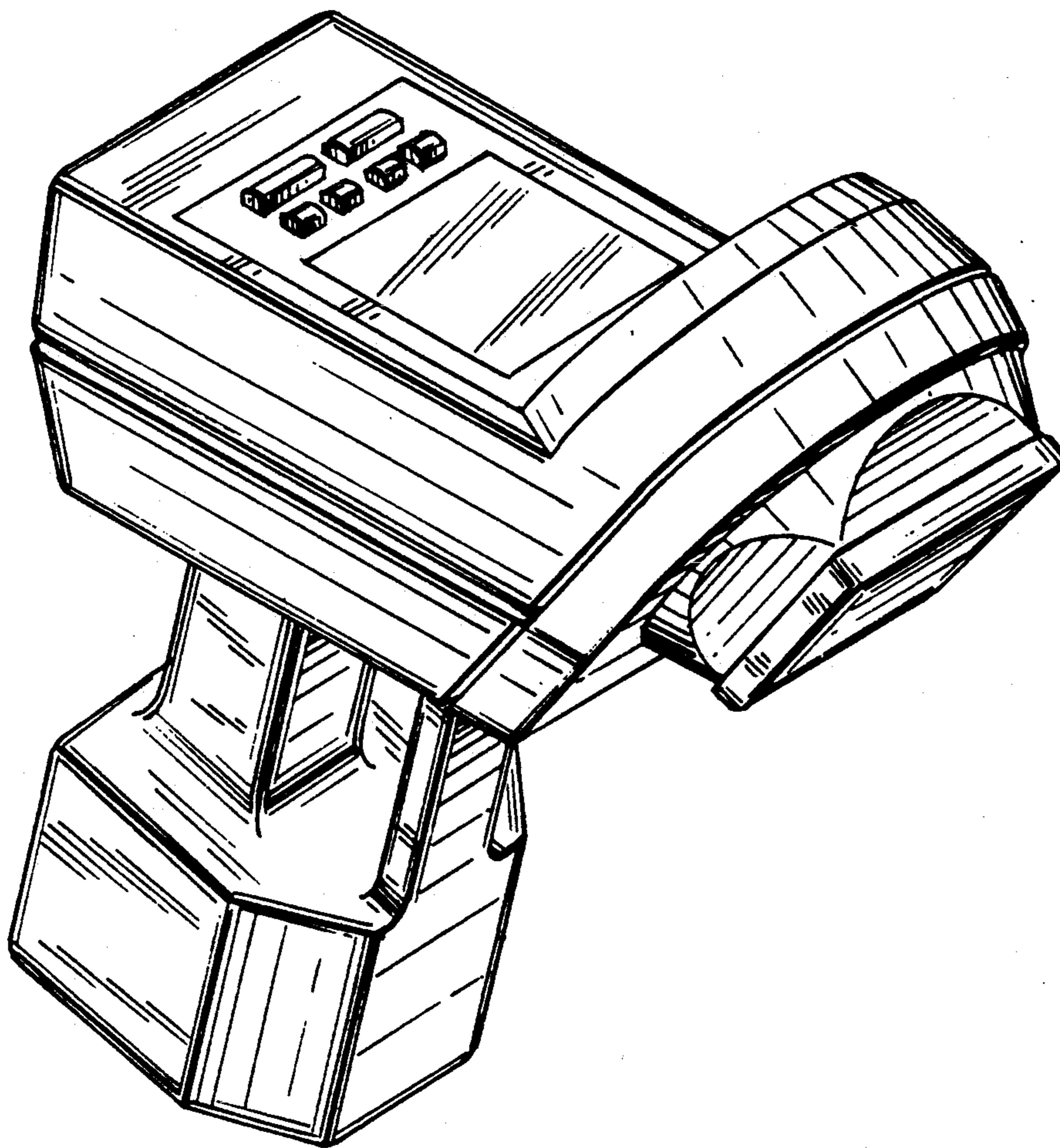
### [57] CLAIM

The ornamental design for a portable spectrophotometer, as shown and described.

### DESCRIPTION

FIG. 1 is a top front and right side perspective view of a portable spectrophotometer, showing our new design; FIG. 2 is a top view thereof; FIG. 3 is a front view thereof; FIG. 4 is a left side view thereof, the right side view being a mirror image; FIG. 5 is a rear view thereof; and, FIG. 6 is a bottom view thereof.

- [56] **References Cited**
- U.S. PATENT DOCUMENTS**
- D. 225,005 10/1972 Greene ..... D10/81
- D. 321,488 11/1991 Sierra et al. .... D10/81
- 3,617,136 11/1971 Lyshkow ..... 356/414 X



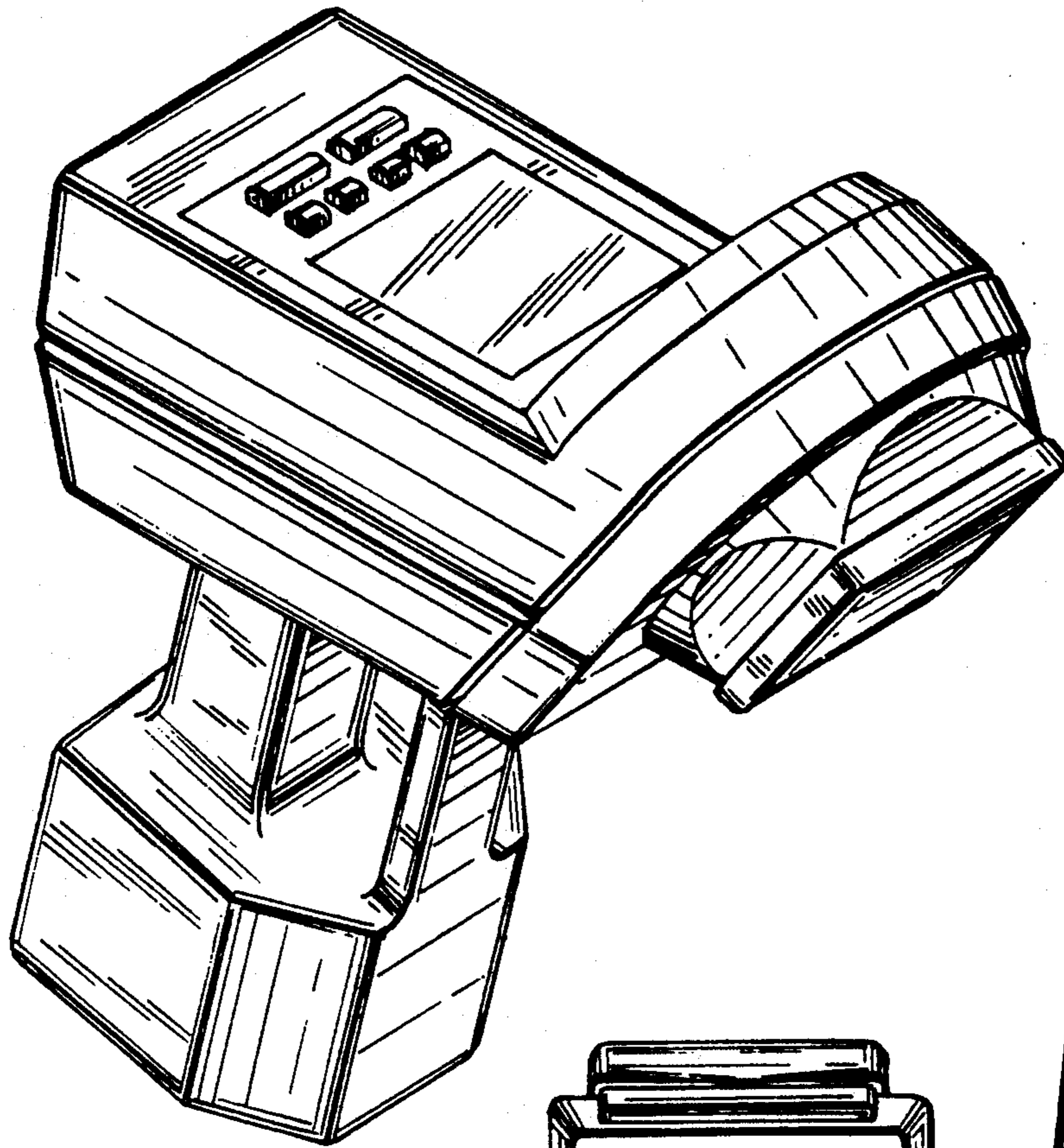


FIG. 1

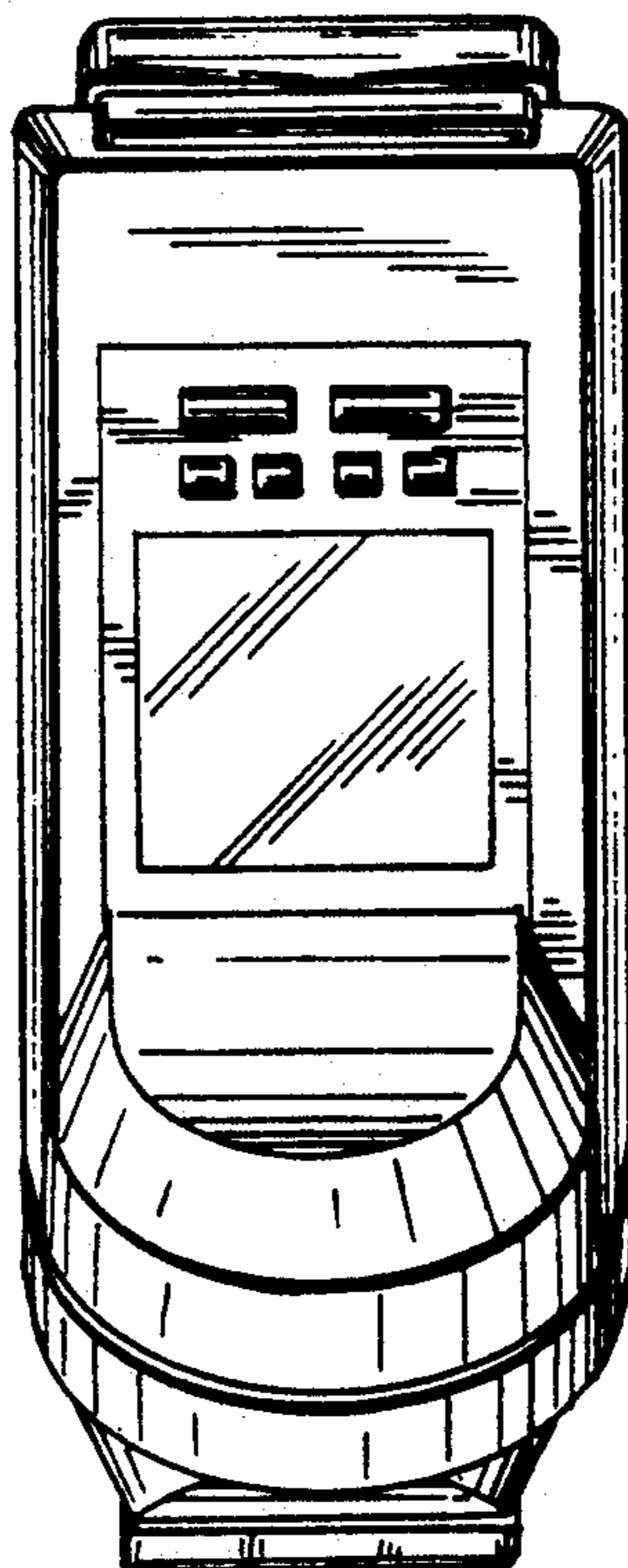


FIG. 2

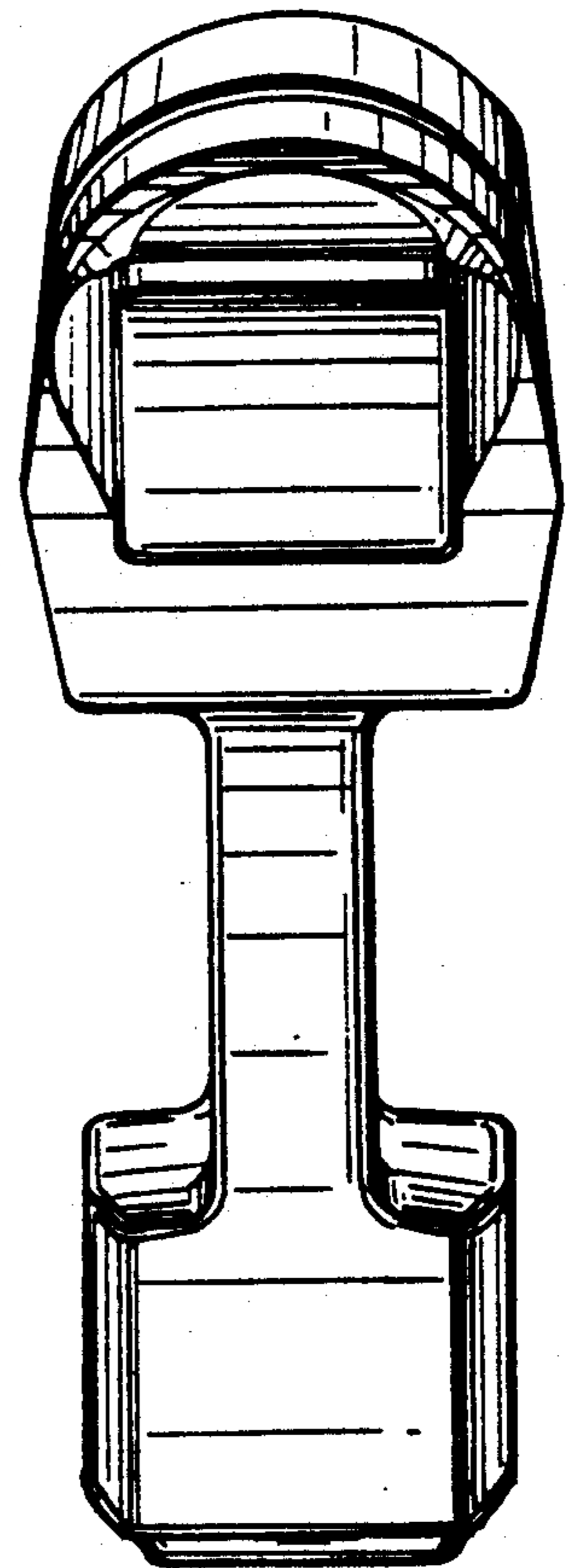


FIG. 3

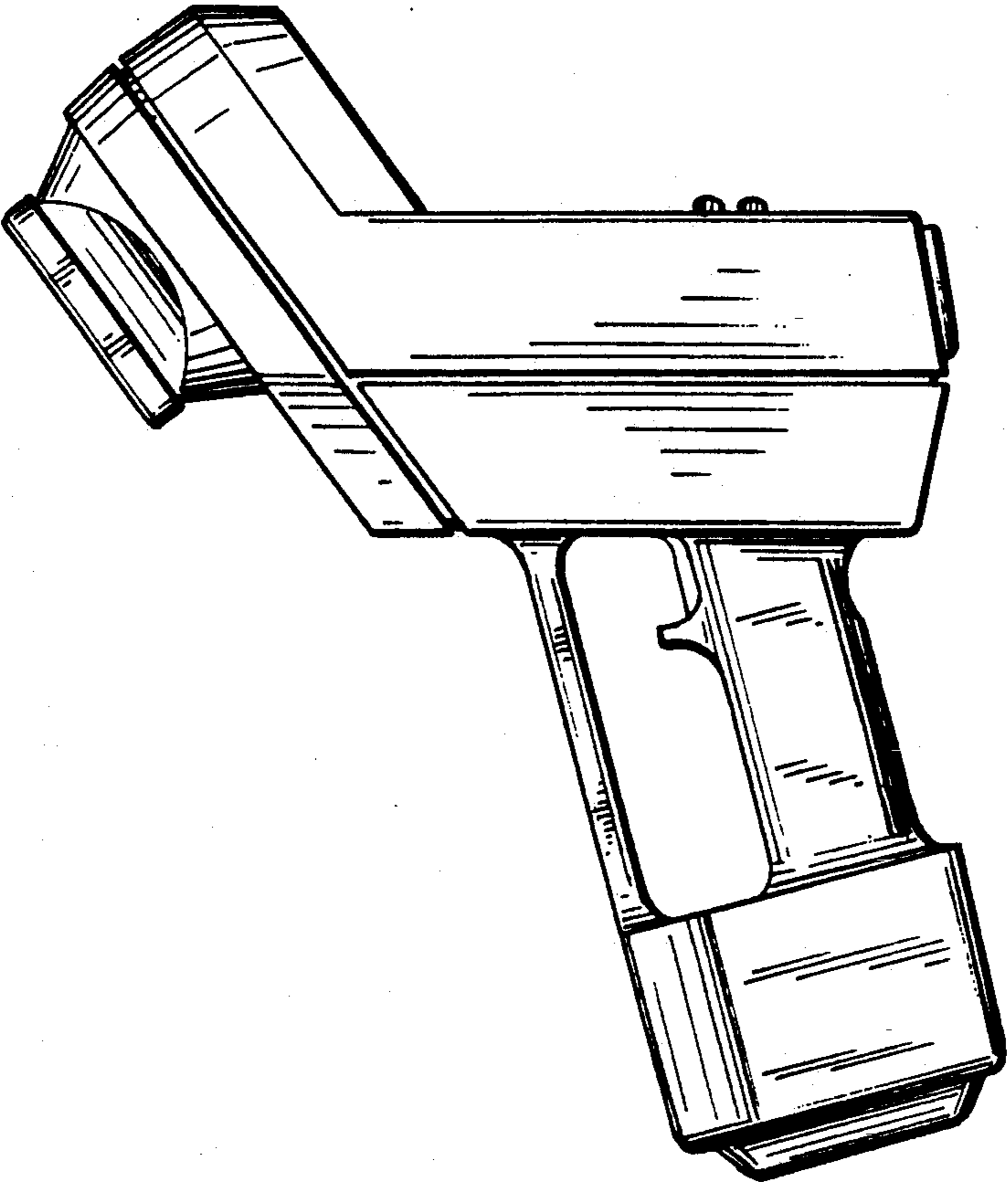


FIG. 4

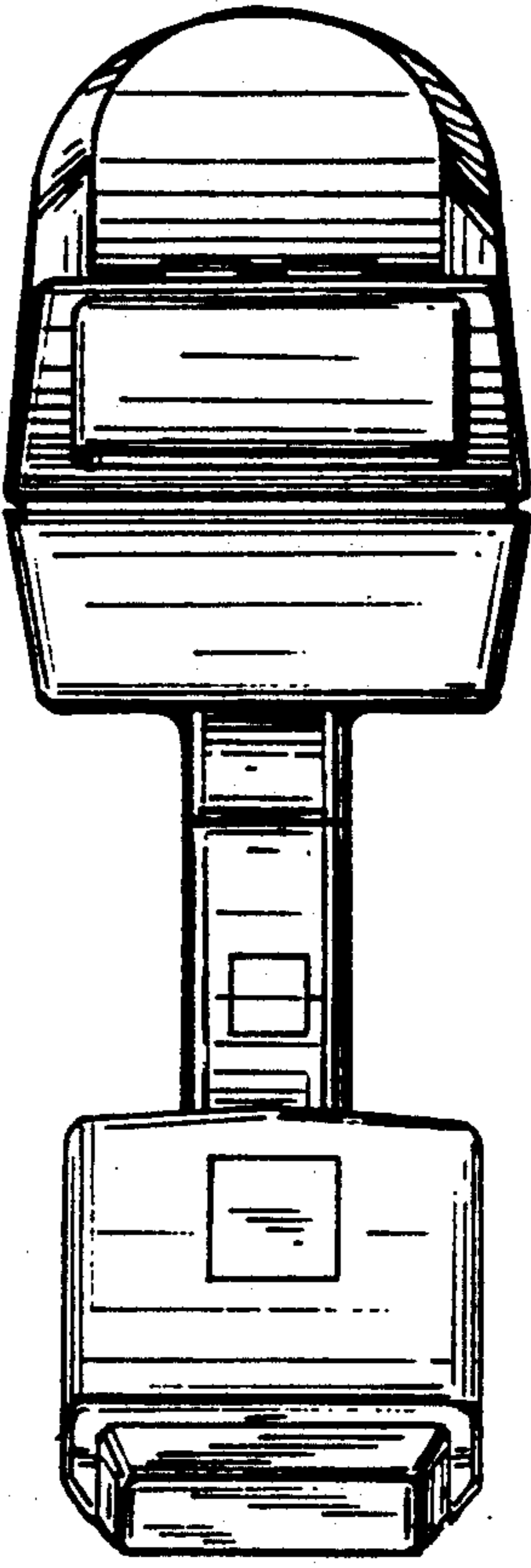


FIG. 5

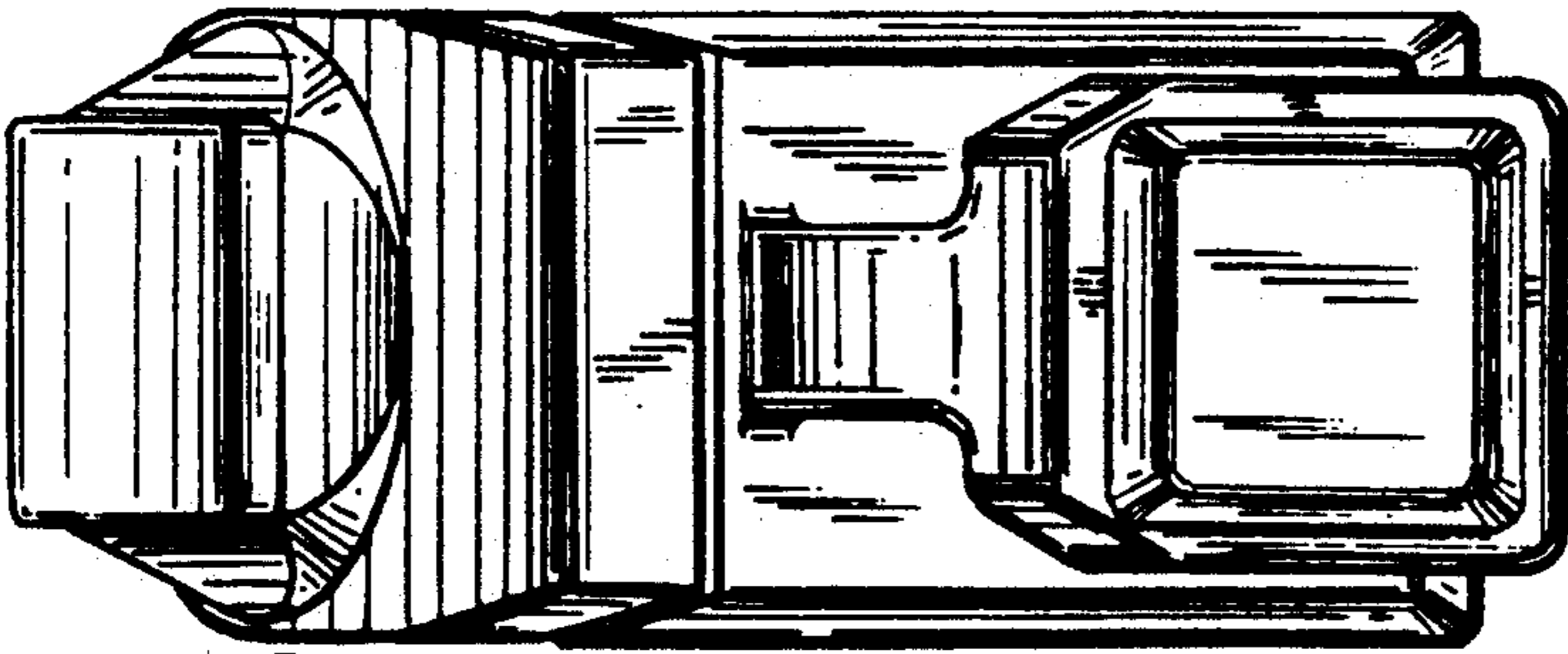


FIG. 6