



US00D338416S

# United States Patent [19]

[11] Patent Number: **Des. 338,416**

Berry et al.

[45] Date of Patent: **\*\* Aug. 17, 1993**

## [54] PRINTED CIRCUIT BOARD TESTER

[75] Inventors: **James E. Berry; Brent W. Thordarson**, both of Fort Collins; **Michael L. Christensen**, Loveland, all of Colo.

[73] Assignee: **Hewlett-Packard Company**, Palo Alto, Calif.

[\*] Notice: The portion of the term of this patent subsequent to Jun. 17, 2005 has been disclaimed.

[\*\*] Term: **14 Years**

[21] Appl. No.: **224,501**

[22] Filed: **Jul. 25, 1988**

[52] U.S. Cl. .... **D10/75**

[58] Field of Search ..... **D10/46, 75; D13/162, D13/163, 164, 184; D14/102, 103, 108; 324/158 F, 158 R, 156; 364/481**

## [56] References Cited

### U.S. PATENT DOCUMENTS

D. 188,789	9/1960	Hannon	.....	D10/75
D. 248,100	6/1978	Bornschlegel et al.	.....	D14/108
D. 296,086	7/1988	Thompson	.....	D10/75
D. 308,645	6/1990	Hughes et al.	.....	D10/75
4,196,386	4/1980	Phelps	.....	324/158 F X
4,528,504	7/1985	Thornton, Jr. et al.	.....	324/158 F

4,769,596	9/1988	Faucett	.....	324/158 F X
4,774,462	9/1988	Black	.....	324/158 F
4,788,496	11/1988	Maelzer et al.	.....	324/158 F
4,818,933	4/1989	Kerschner et al.	.....	324/158 F
4,820,975	4/1989	Diggle	.....	324/158 F
4,854,039	8/1989	Wendt	.....	324/158 F

## OTHER PUBLICATIONS

Zehntel 8000 Combination Test Service brochure; (note sections 3.1 and 3.2 and Figure 3.1c).  
Page from the 1985 brochure showing the Teradyne L210 Circuit Board Tester.

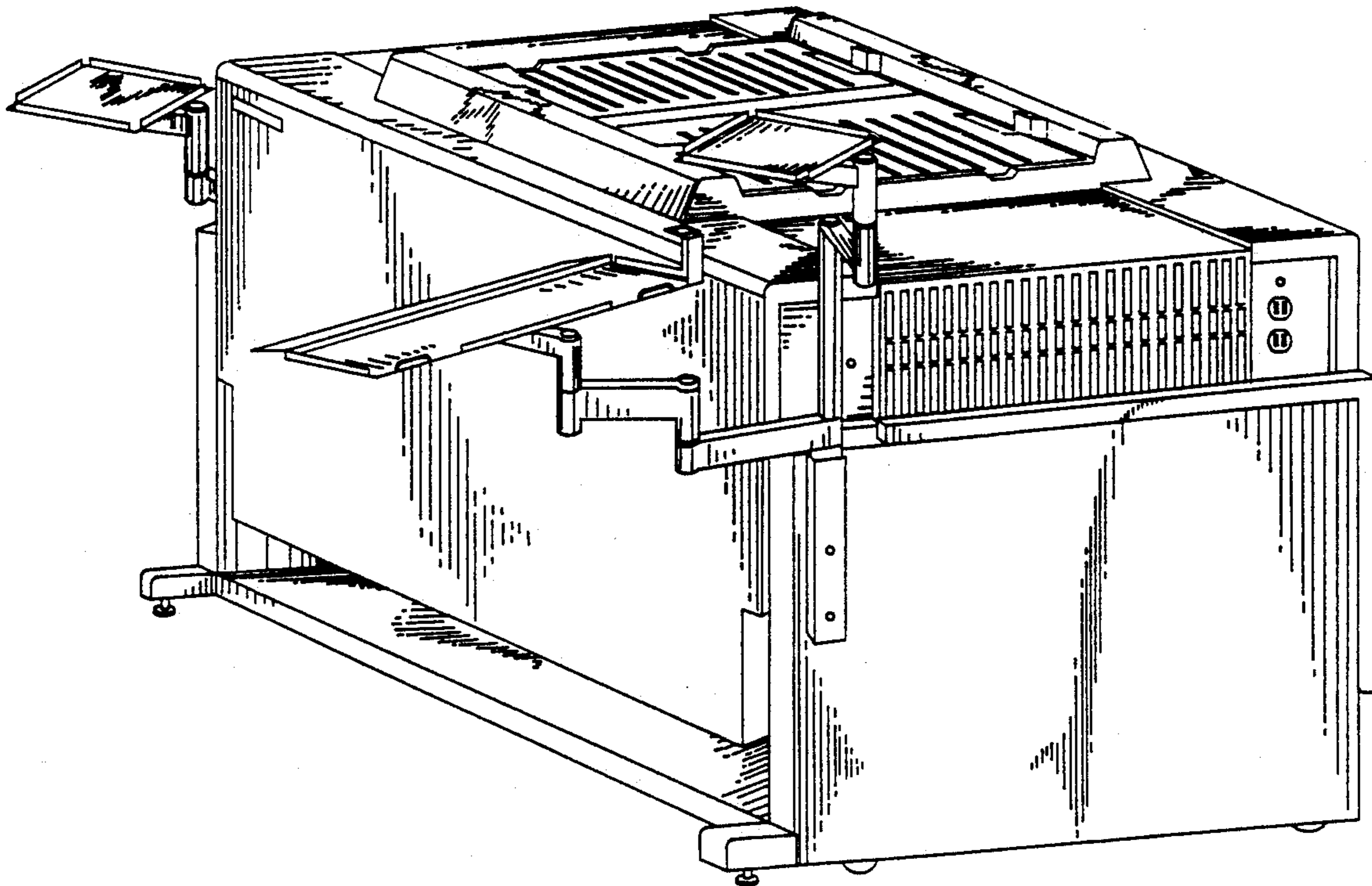
*Primary Examiner*—Nelson C. Holtje  
*Assistant Examiner*—Antoine D. Davis  
*Attorney, Agent, or Firm*—Christopher J. Byrne

## [57] CLAIM

The ornamental design for a printed circuit board tester, as shown and described.

## DESCRIPTION

FIG. 1 is a top, front, and right side perspective view of an printed circuit board tester showing our new design; FIG. 2 is another top, front, and right side perspective view, with the console in a rotated position; FIG. 3 is a front elevational view; FIG. 4 is a right side elevational view; FIG. 5 is a left side elevational view; FIG. 6 is a rear elevational view; and, FIG. 7 is a top plan view thereof.



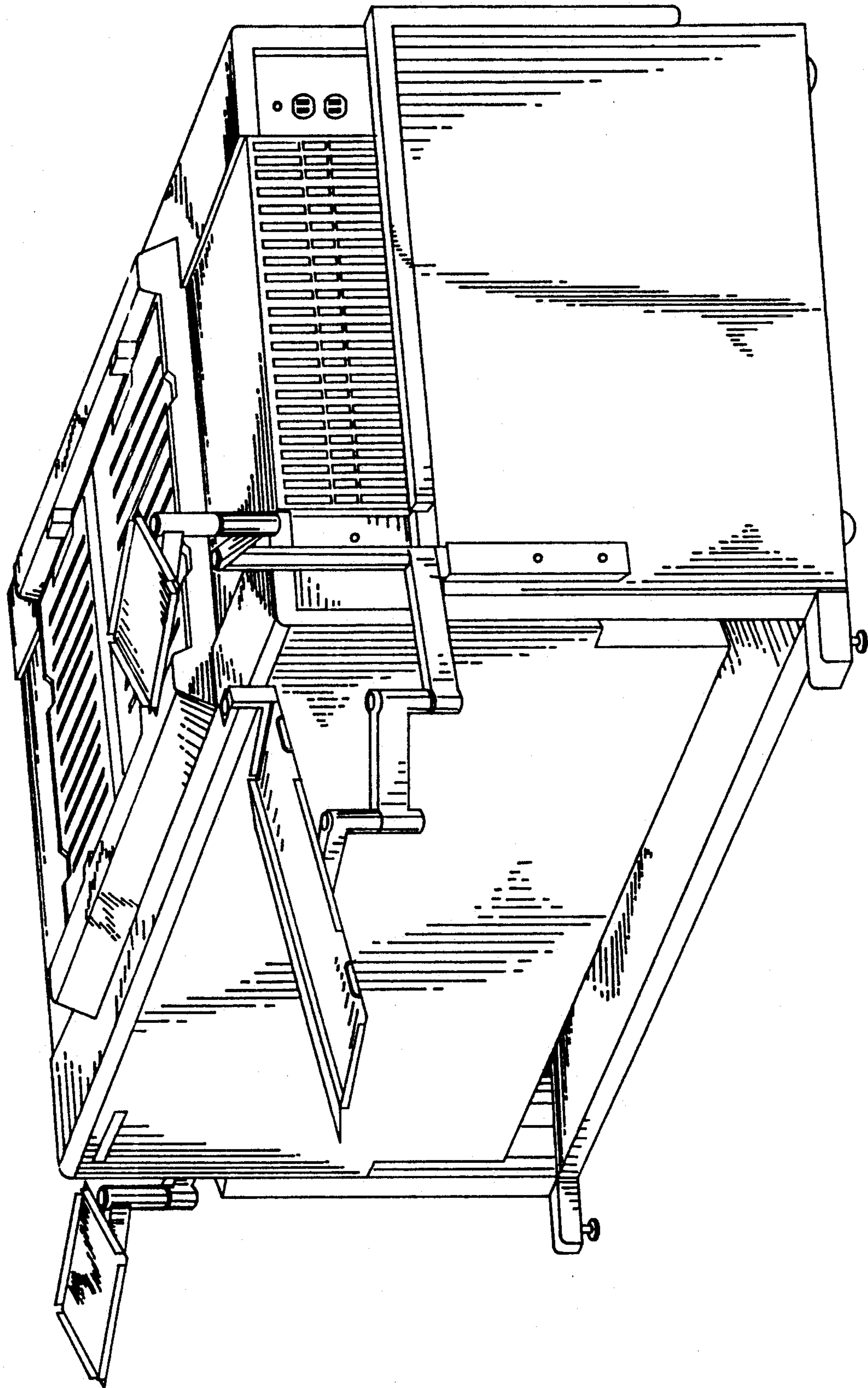


FIG 1

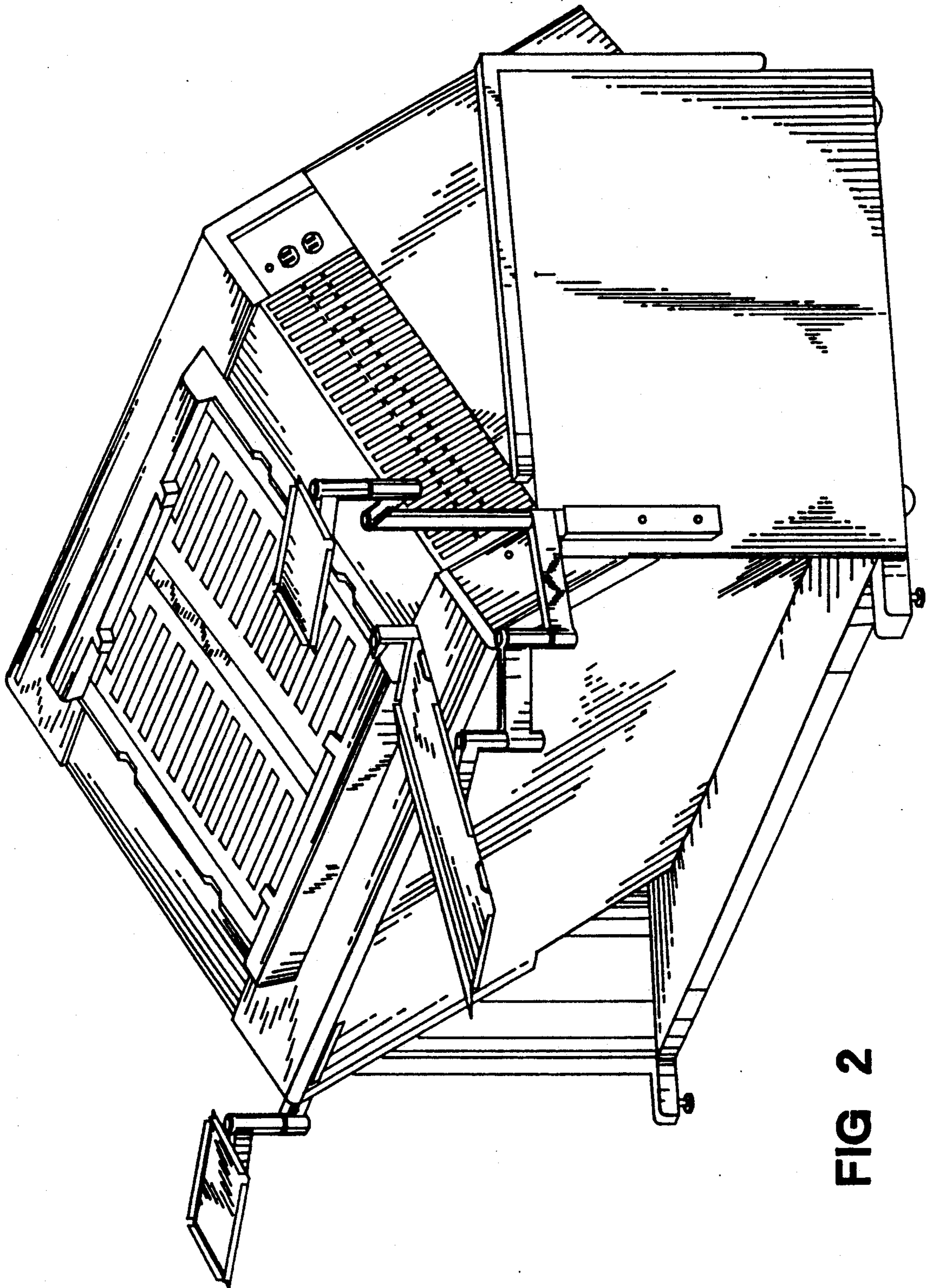


FIG 2

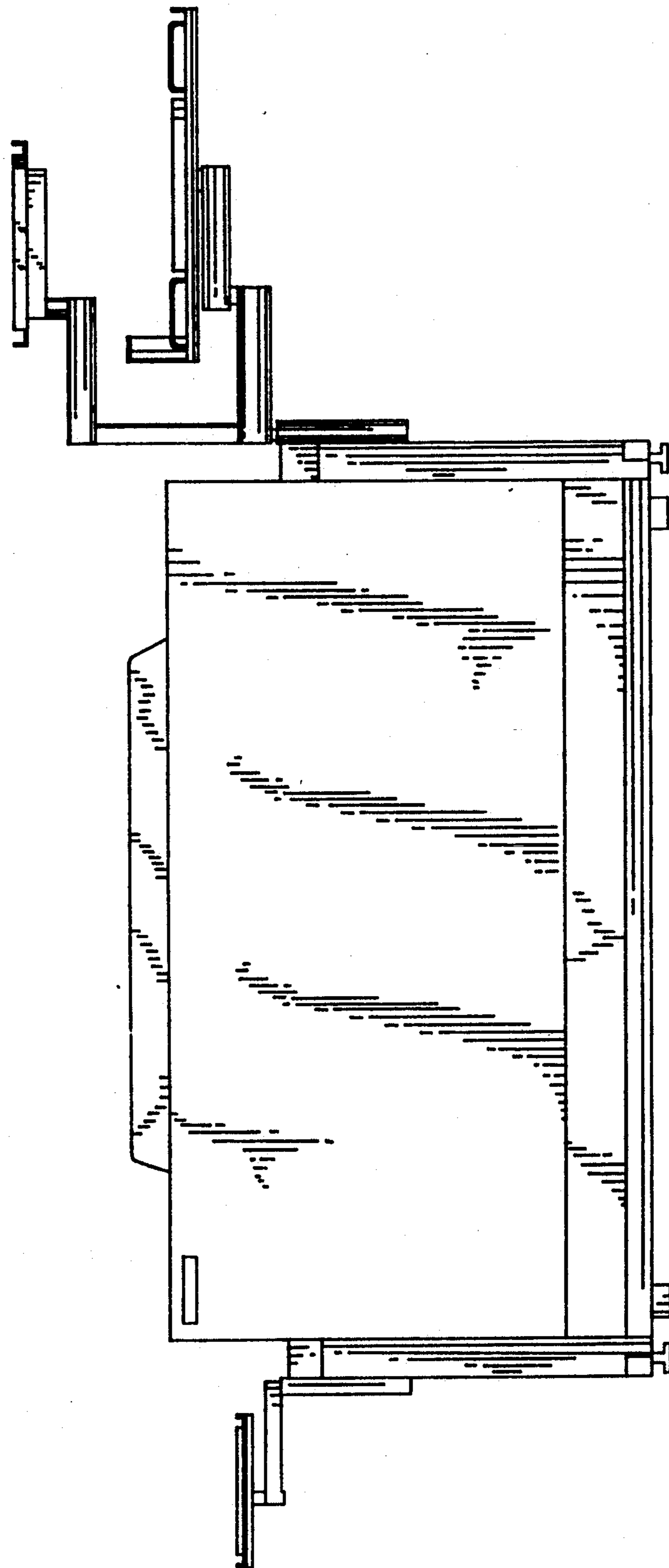


FIG 3

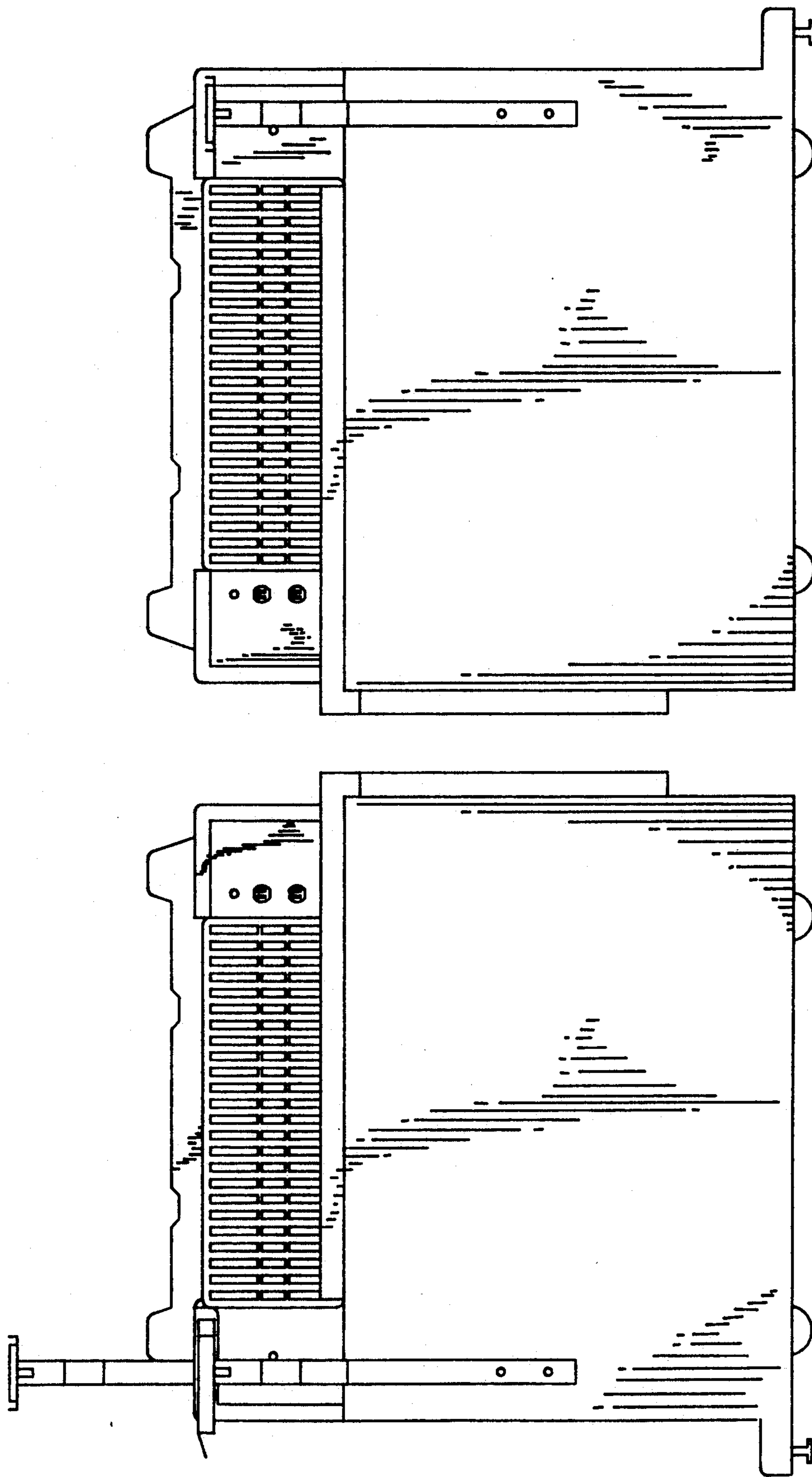


FIG 4

FIG 5

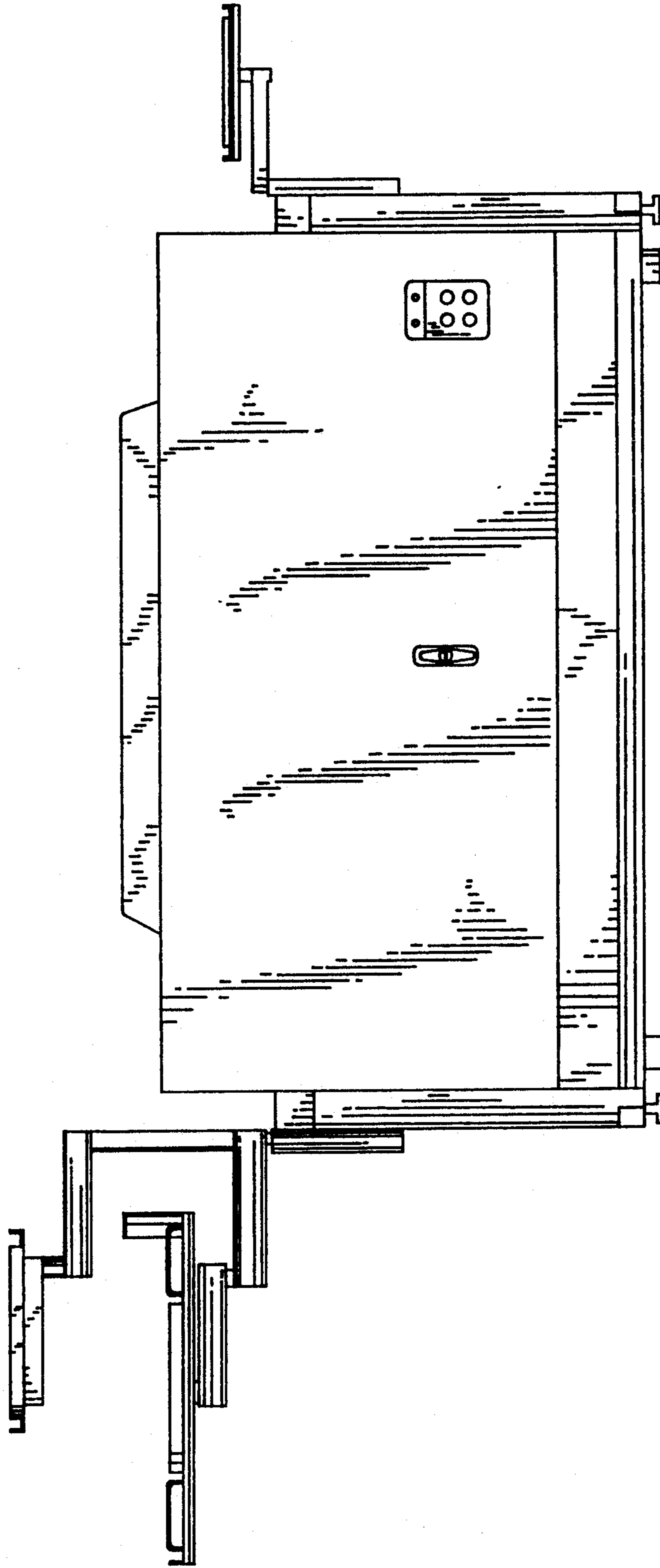


FIG 6

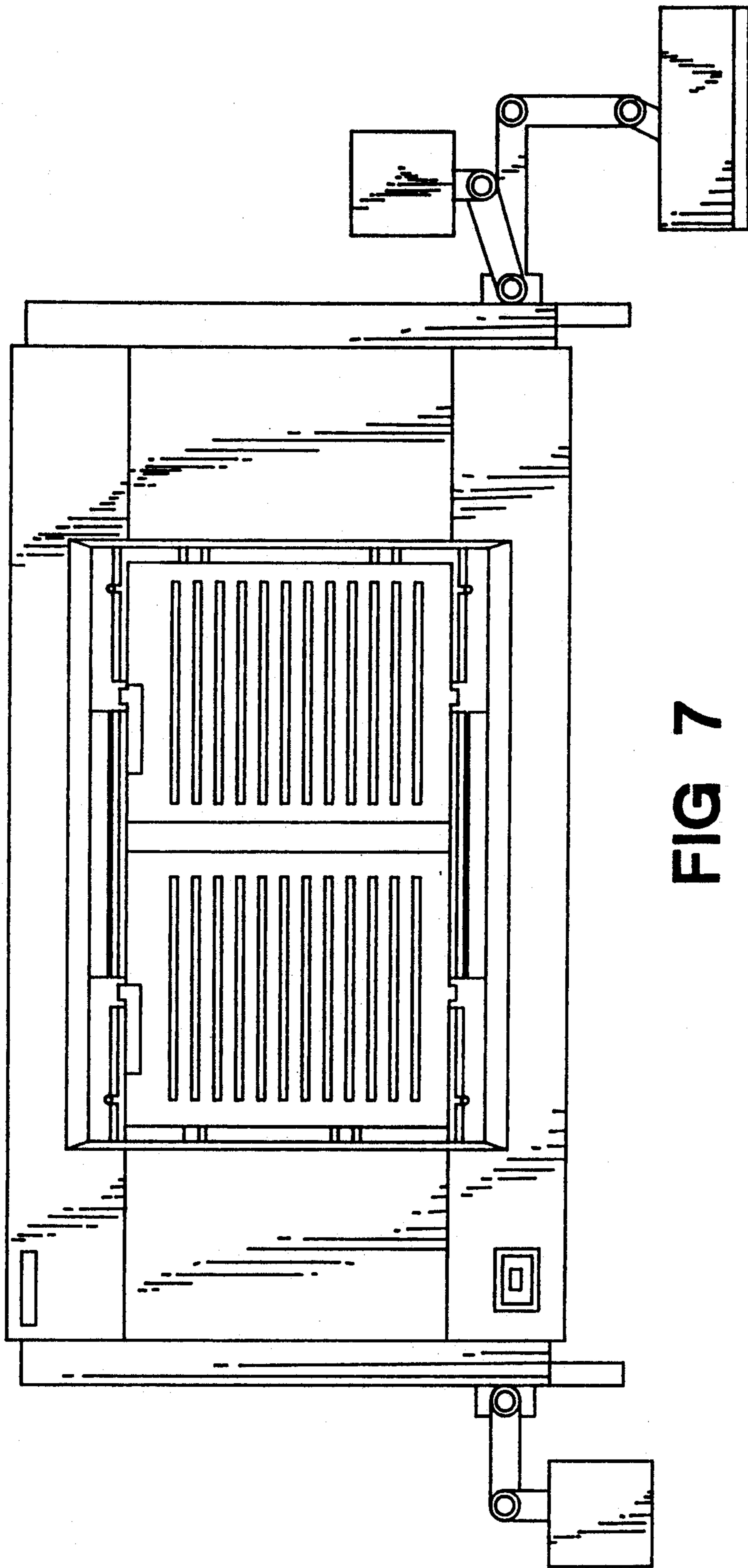


FIG 7