



US00D338414S

United States Patent [19]

[11] Patent Number: Des. 338,414

Farrell, III

[45] Date of Patent: ** Aug. 17, 1993

[54] LEVEL

[57] CLAIM

[76] Inventor: Peter J. Farrell, III, 17 Myrtle St.,
Baldwinville, Mass. 01436

The ornamental design for a level, as shown and described.

[**] Term: 14 Years

DESCRIPTION

[21] Appl. No.: 544,477

FIG. 1 is a front elevational view of the level showing my new design;

[22] Filed: Jun. 27, 1990

FIG. 2 is a rear elevational view thereof;

[52] U.S. Cl. D10/69

FIG. 3 is a left side elevational view thereof;

[58] Field of Search D10/69; 33/290-299

FIG. 4 is a right side elevational view thereof;

[56] References Cited

U.S. PATENT DOCUMENTS

D. 223,635 5/1972 Lew D10/69

FIG. 5 is a top plan view thereof;

D. 252,500 7/1979 Mason D10/69

FIG. 6 is a bottom plan view thereof;

2,308,088 1/1943 Liverman D10/69 X

FIG. 7 is a front elevation view of a second embodiment of my invention;

FIG. 8 is a rear elevational view thereof;

Primary Examiner—Alan P. Douglas

Assistant Examiner—Antoine D. Davis

Attorney, Agent, or Firm—Leon Gilden

FIG. 9 is a left side elevational view thereof;

FIG. 10 is a right side elevational view thereof;

FIG. 11 is a top plan view thereof; and,

FIG. 12 is a bottom plan view thereof.

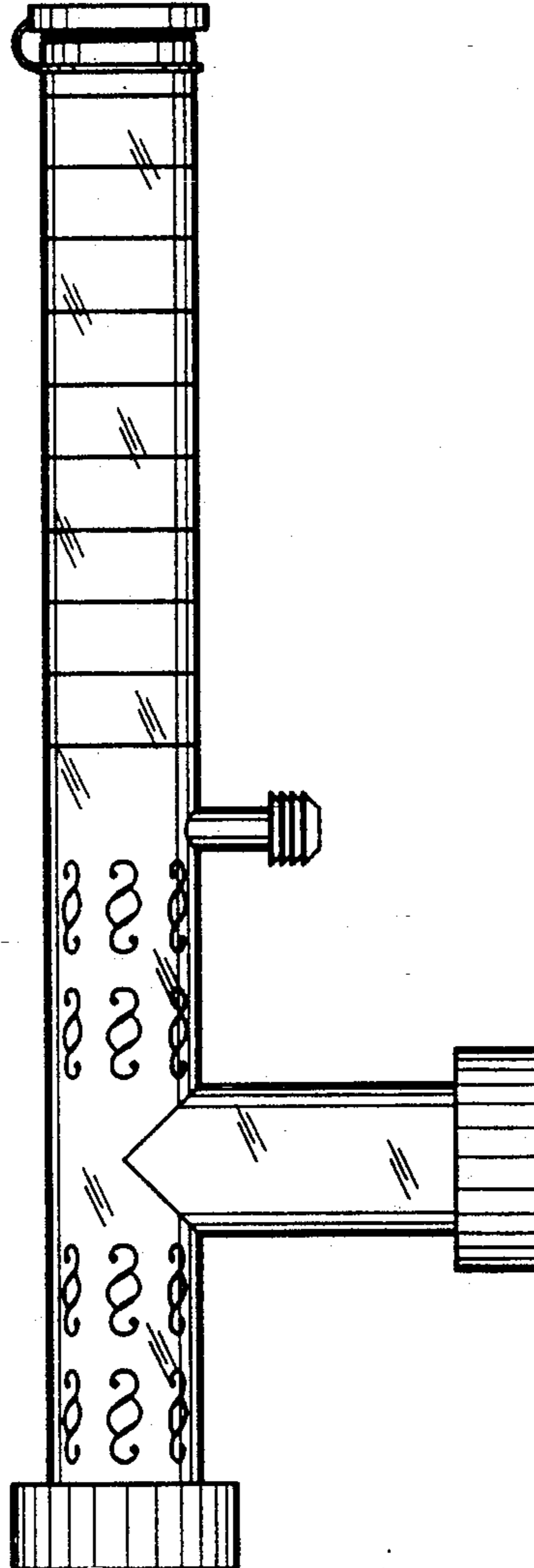


FIG. 1

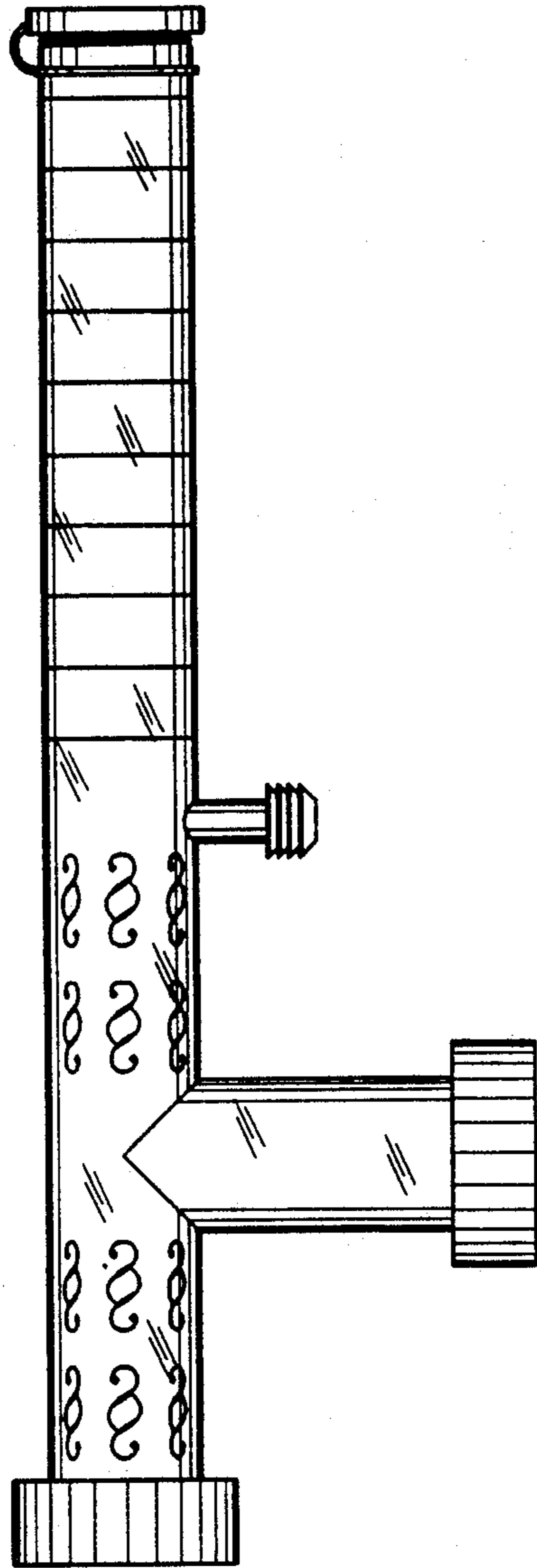


FIG. 2

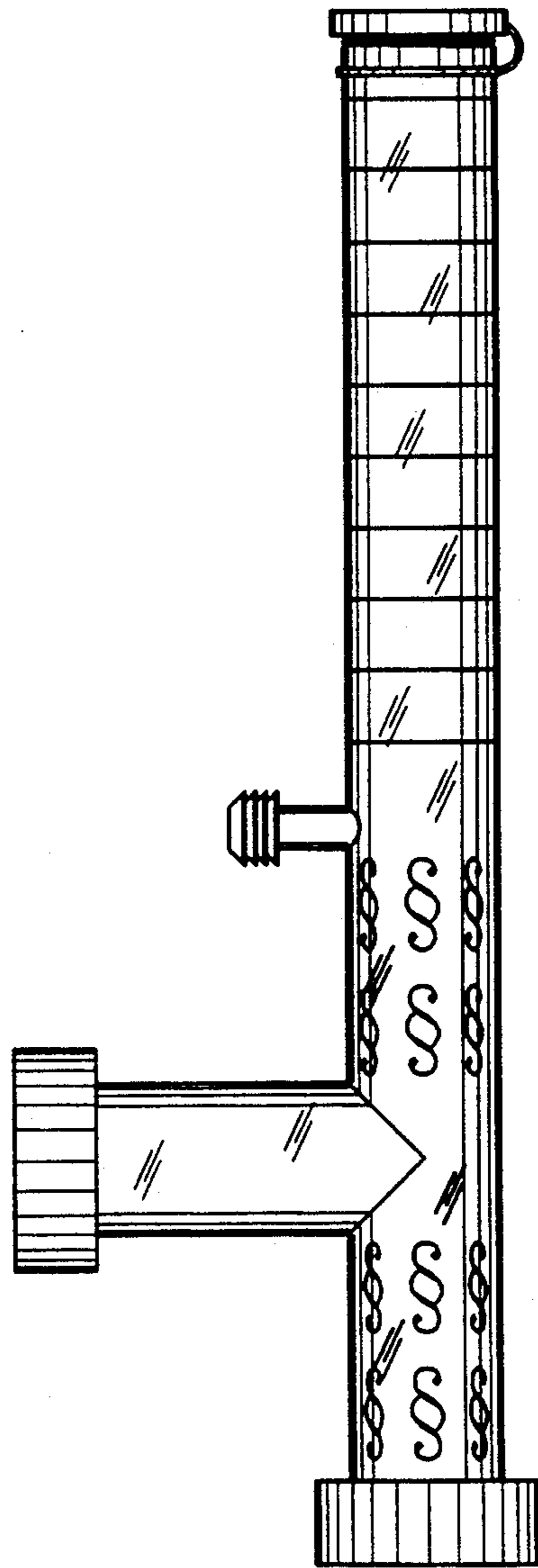


FIG. 3

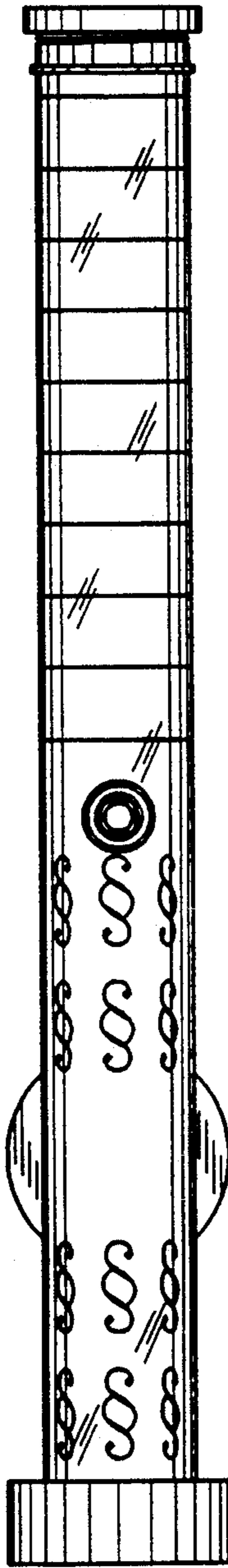


FIG. 4

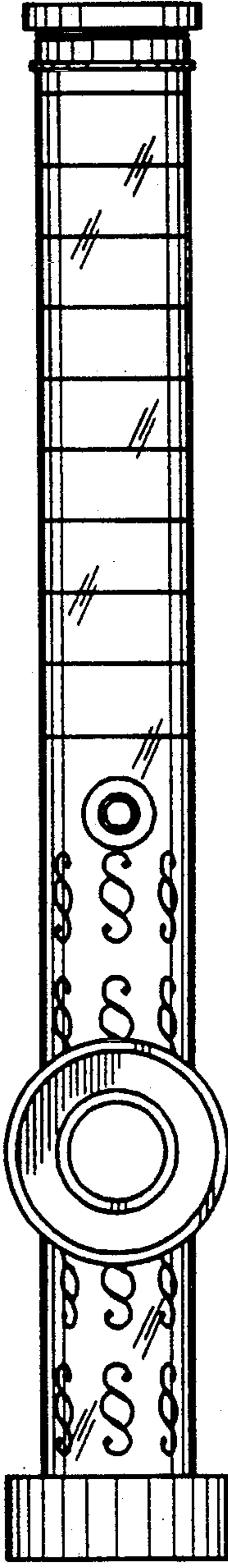


FIG. 5

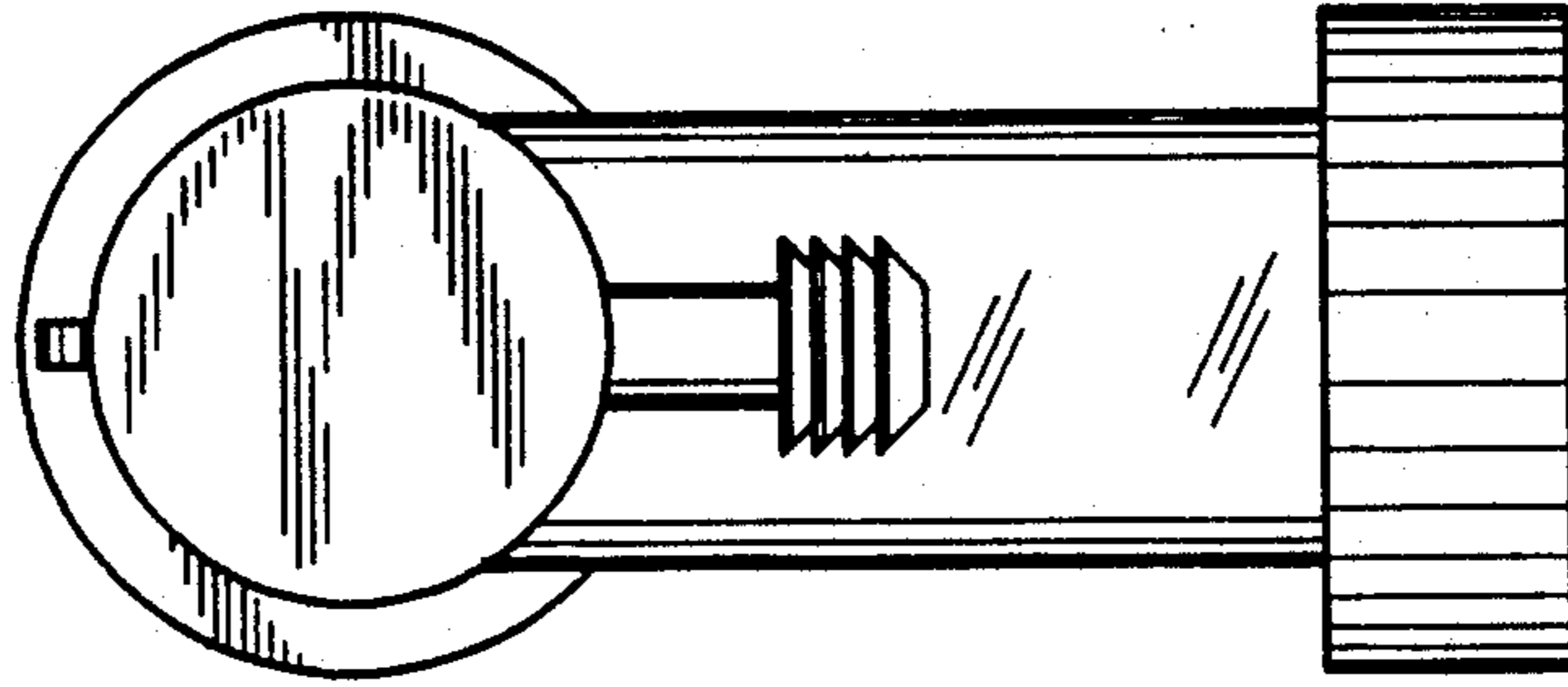


FIG. 6

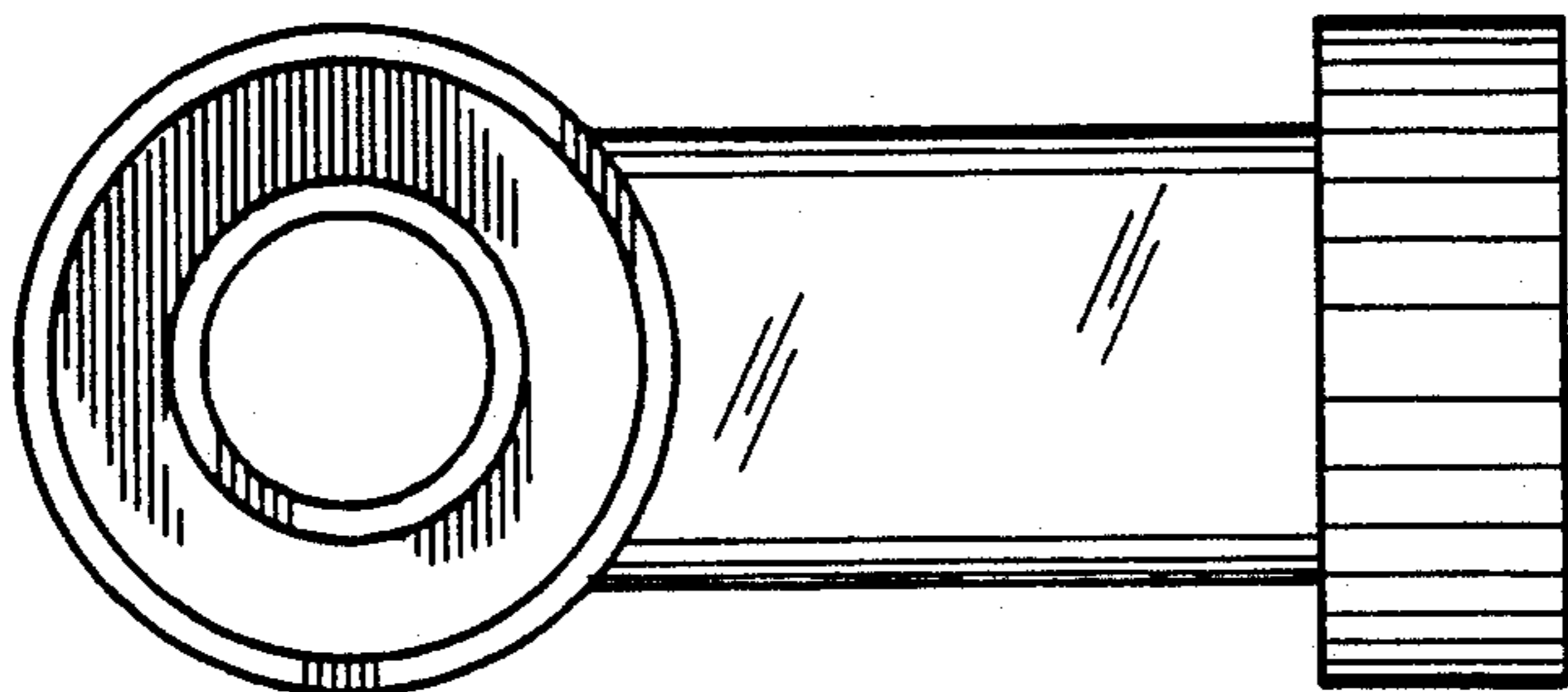


FIG. 7

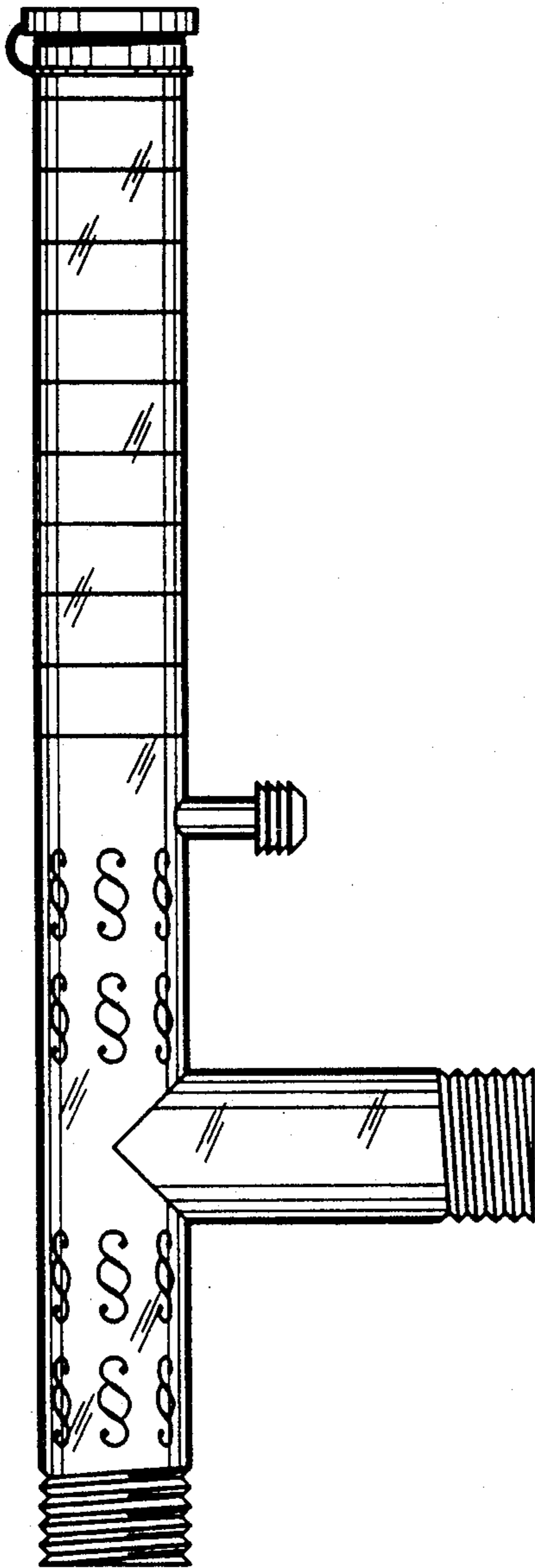


FIG. 8

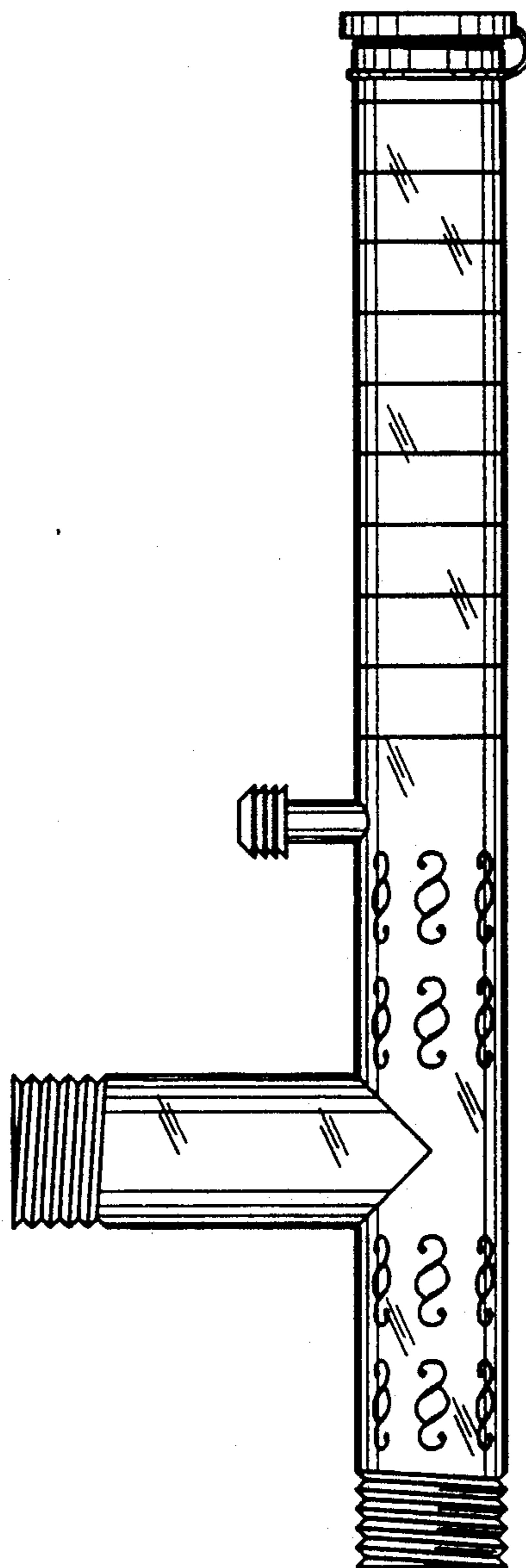


FIG. 9

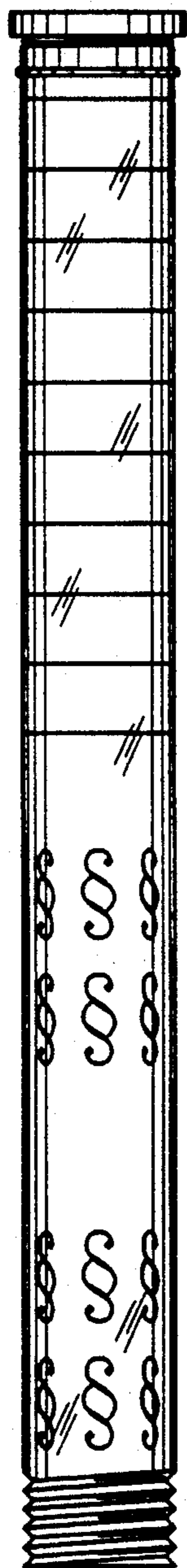


FIG. 10

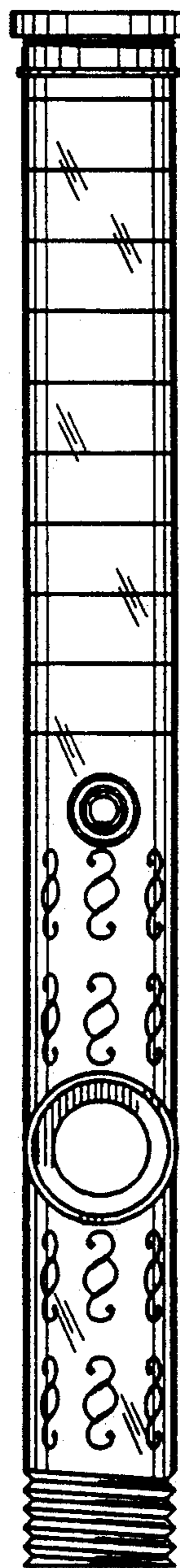


FIG. 11

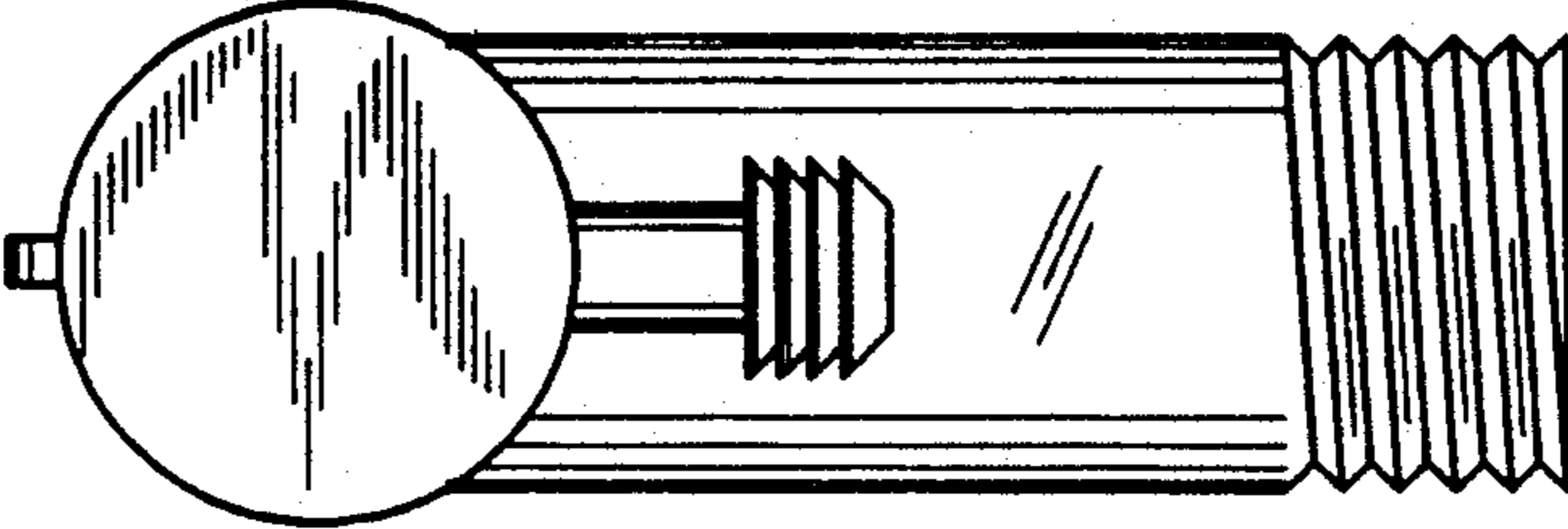


FIG. 12

