



US00D338412S

United States Patent [19]

[11] Patent Number: **Des. 338,412**

Curbun

[45] Date of Patent: **** Aug. 17, 1993**

[54] **TYMPANIC TEMPERATURE THERMOMETER**

[75] Inventor: **Charles S. Curbun, Leucadia, Calif.**

[73] Assignee: **Infra-Temp, Inc., Camarillo, Calif.**

[**] Term: **14 Years**

[21] Appl. No.: **810,668**

[22] Filed: **Dec. 18, 1991**

[52] U.S. Cl. **D10/57**

[58] Field of Search **D10/52, 57; 128/664, 128/632-634, 736; 374/120-129, 158, 208; 604/192, 194**

[56] **References Cited**

U.S. PATENT DOCUMENTS

- D. 317,414 6/1991 Lanci et al. D10/57
- D. 321,487 11/1991 Manno D10/57
- 4,797,840 1/1989 Fraden 128/736 X
- 4,863,281 9/1989 Suszynski 374/208

Primary Examiner—Alan P. Douglas

Assistant Examiner—A. D. Davis
Attorney, Agent, or Firm—Lyon & Lyon

[57] **CLAIM**

The ornamental design for a tympanic temperature thermometer, as shown and described.

DESCRIPTION

FIG. 1 is a front, right side perspective view of a tympanic temperature thermometer showing my new design;

FIG. 2 is a left side elevational view thereof;

FIG. 3 is a front elevational view thereof;

FIG. 4 is a top plan view thereof;

FIG. 5 is a bottom plan view thereof;

FIG. 6 is a rear elevational view thereof;

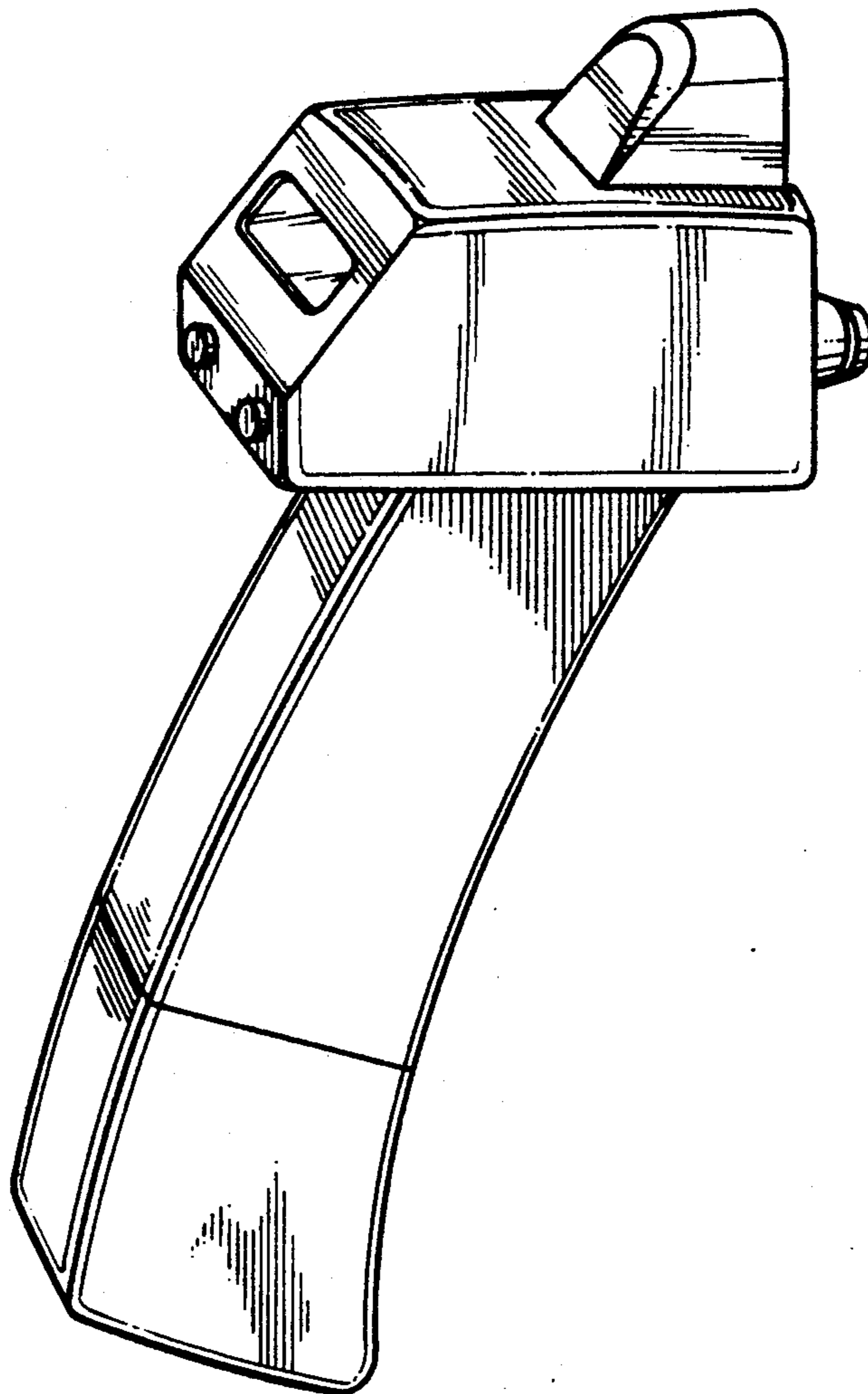
FIG. 7 is a left side elevational view of the tympanic temperature thermometer of FIGS. 1-6 with the probe protector pivoted into the closed position;

FIG. 8 is a front elevational view thereof;

FIG. 9 is a top plan view thereof;

FIG. 10 is a bottom plan view thereof; and,

FIG. 11 is a rear elevational view thereof.



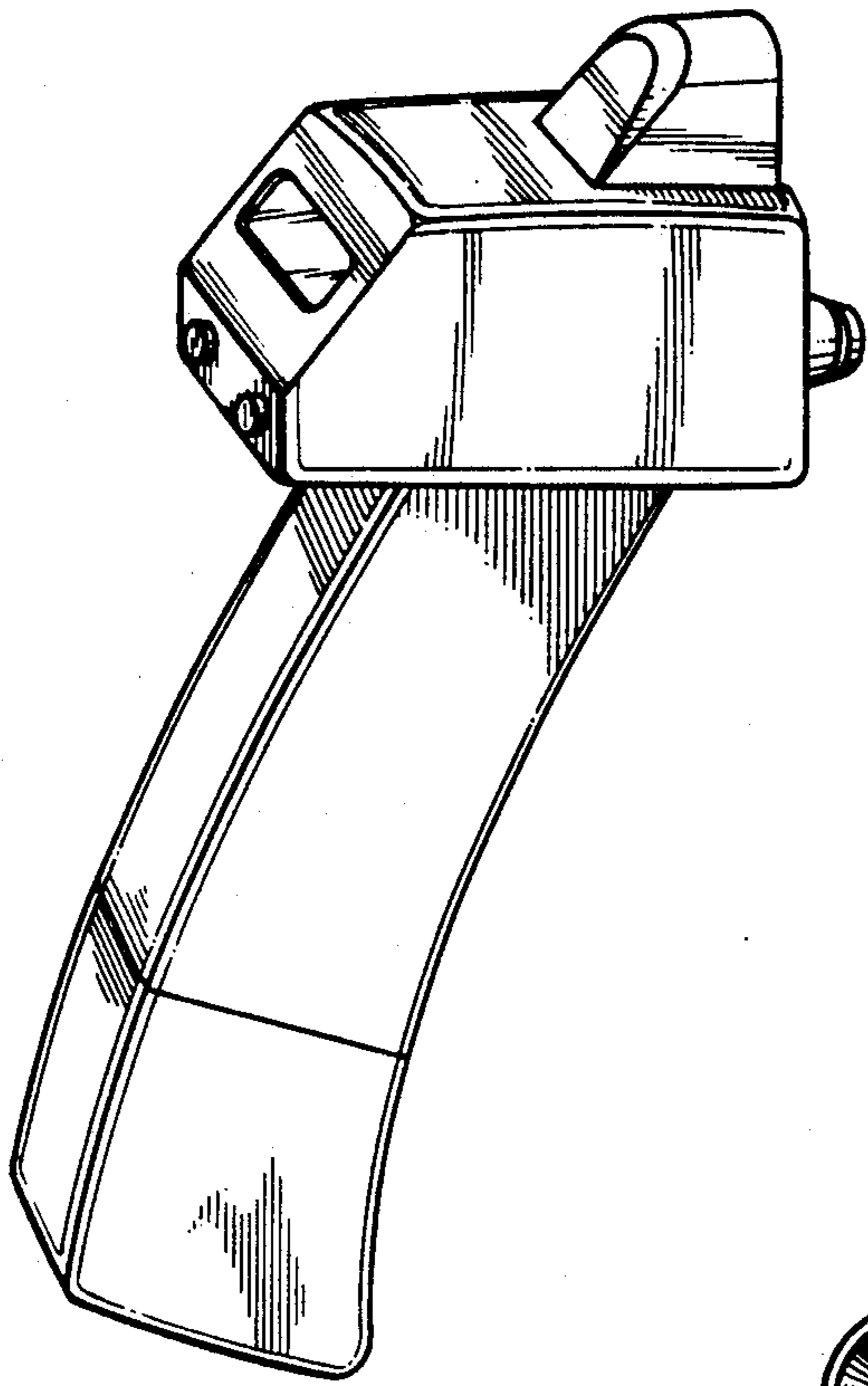


FIG. 1.

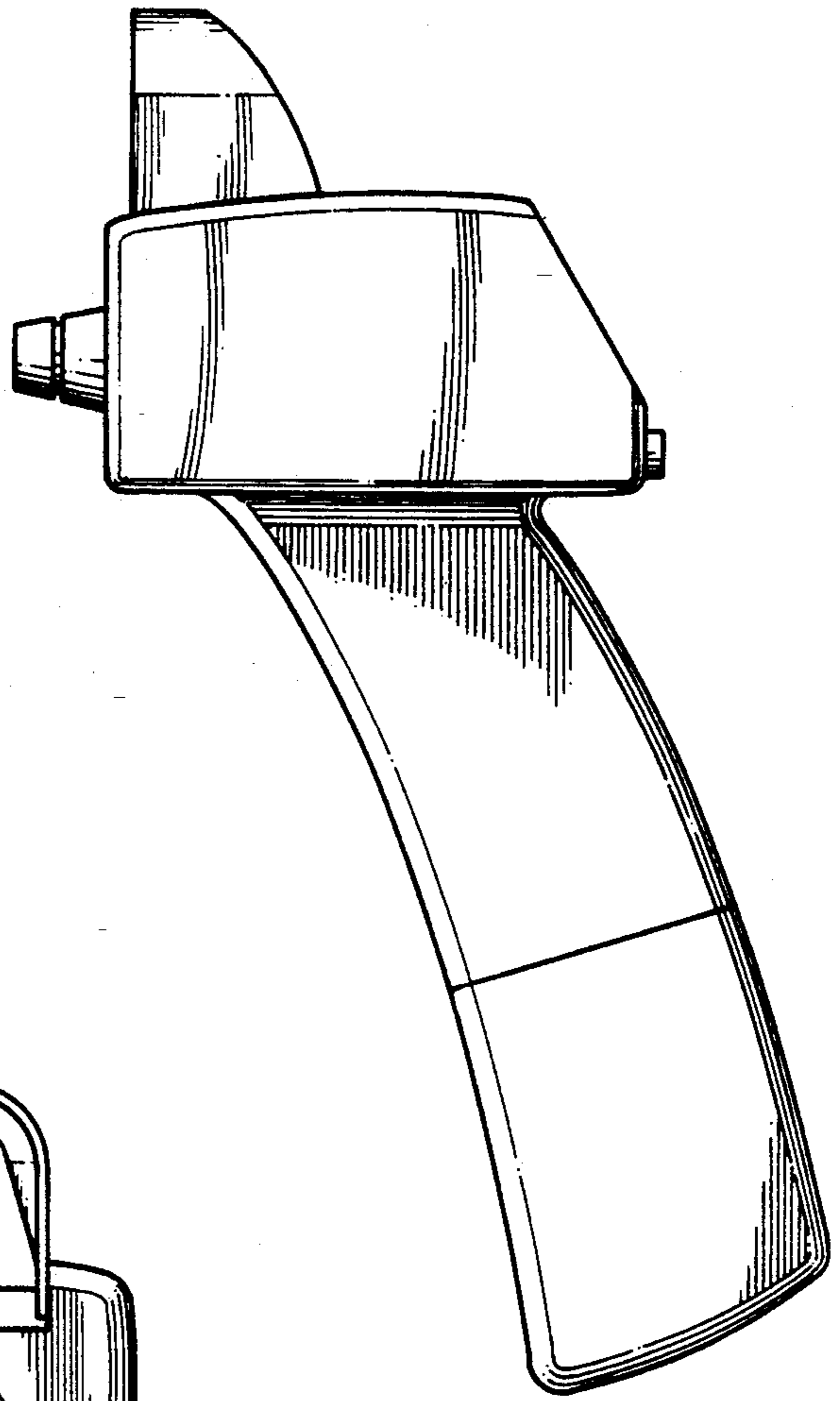


FIG. 2.

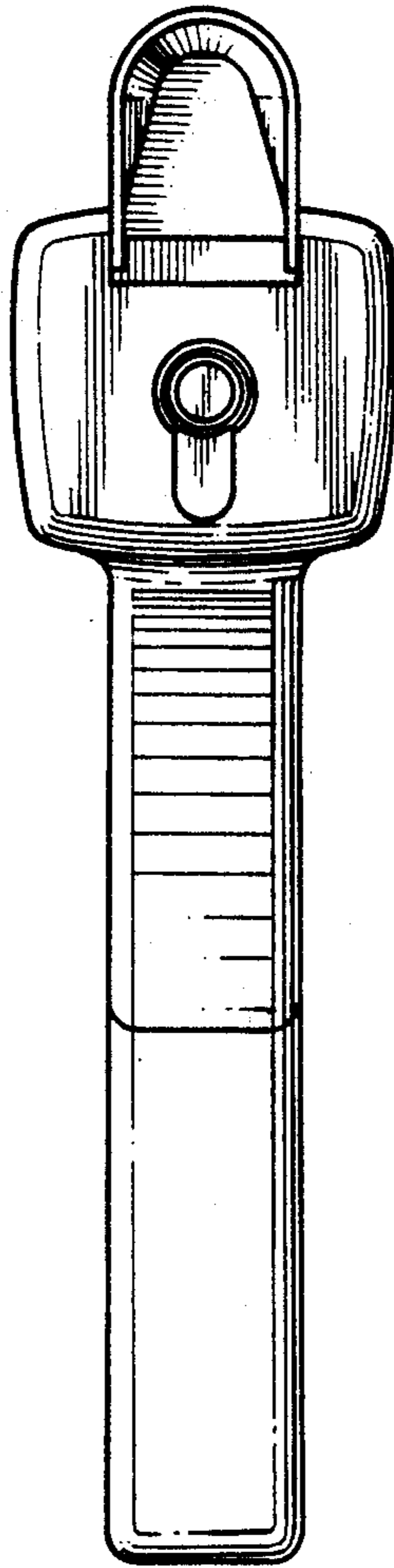


FIG. 3.

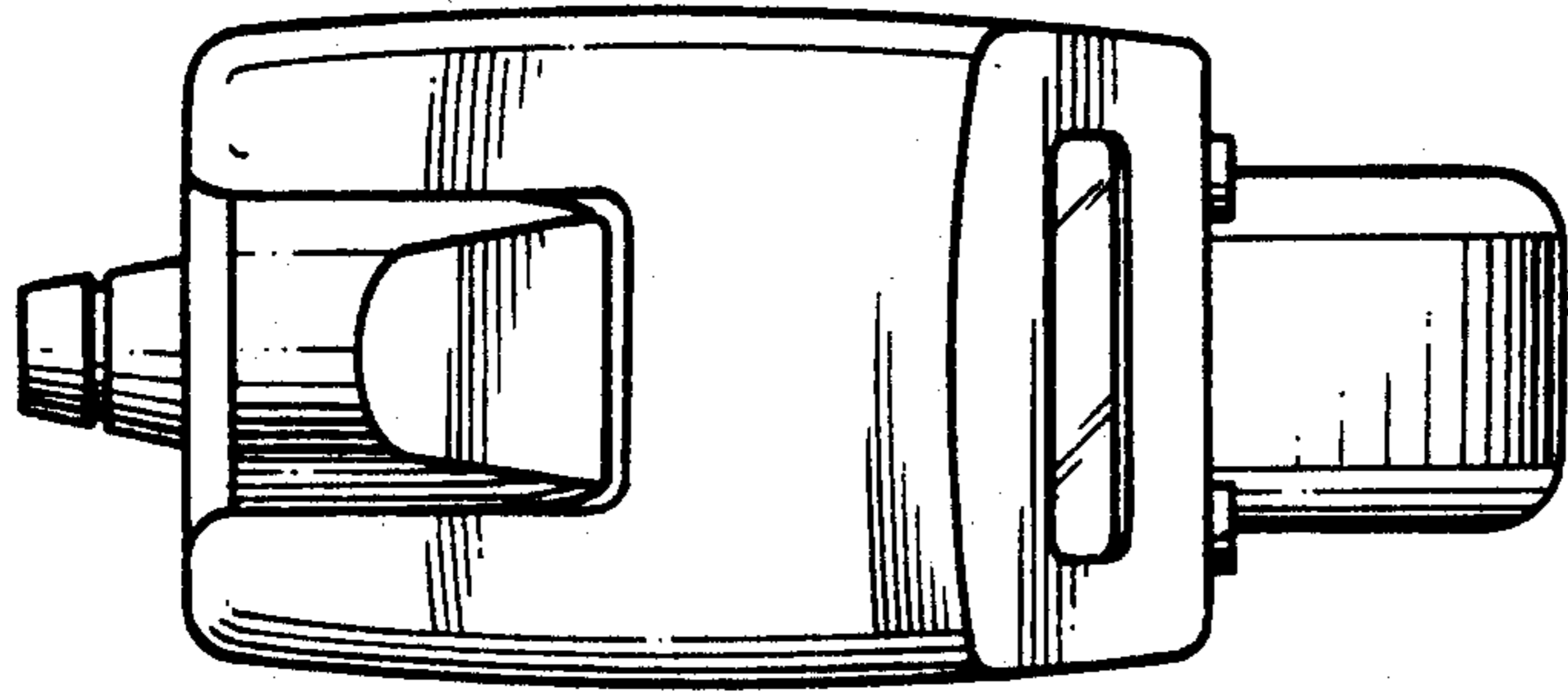


FIG. 4.

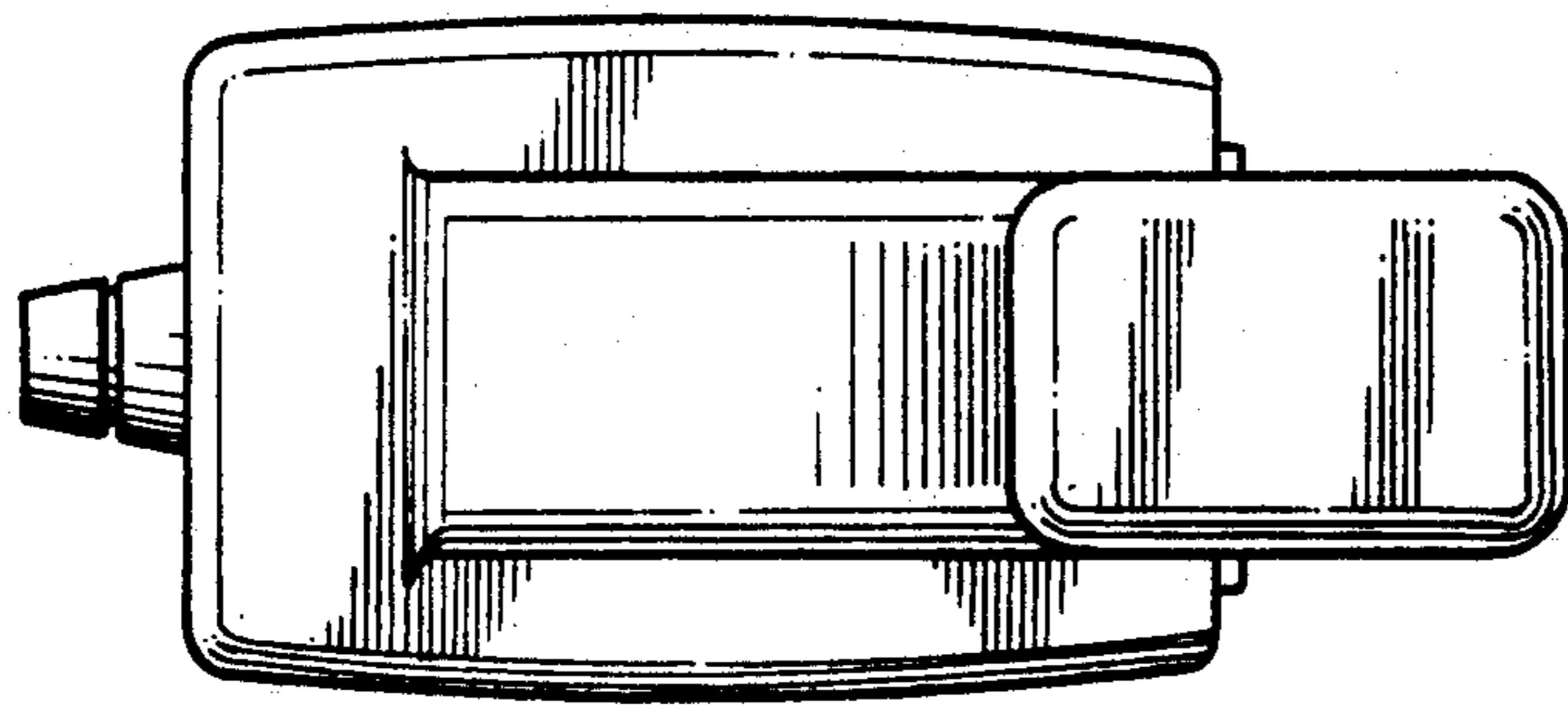


FIG. 5.

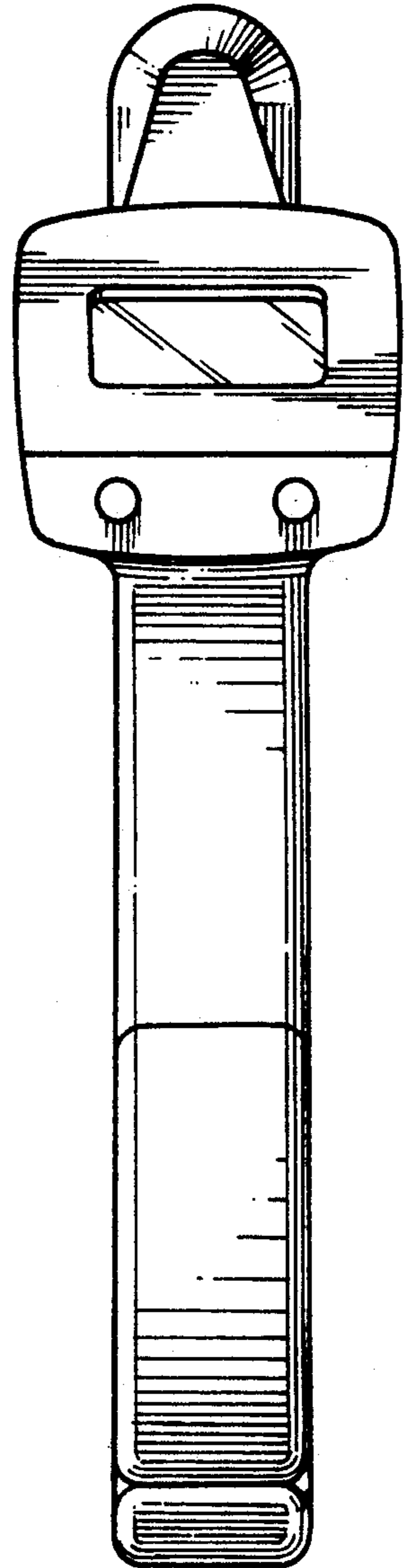


FIG. 6.

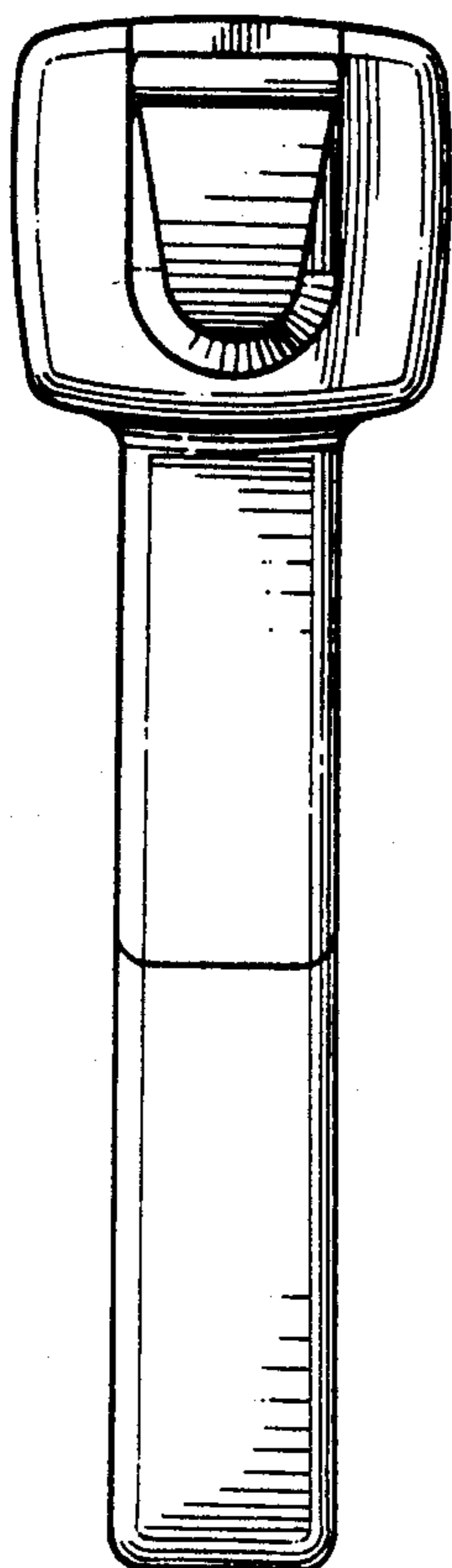


FIG. 8.

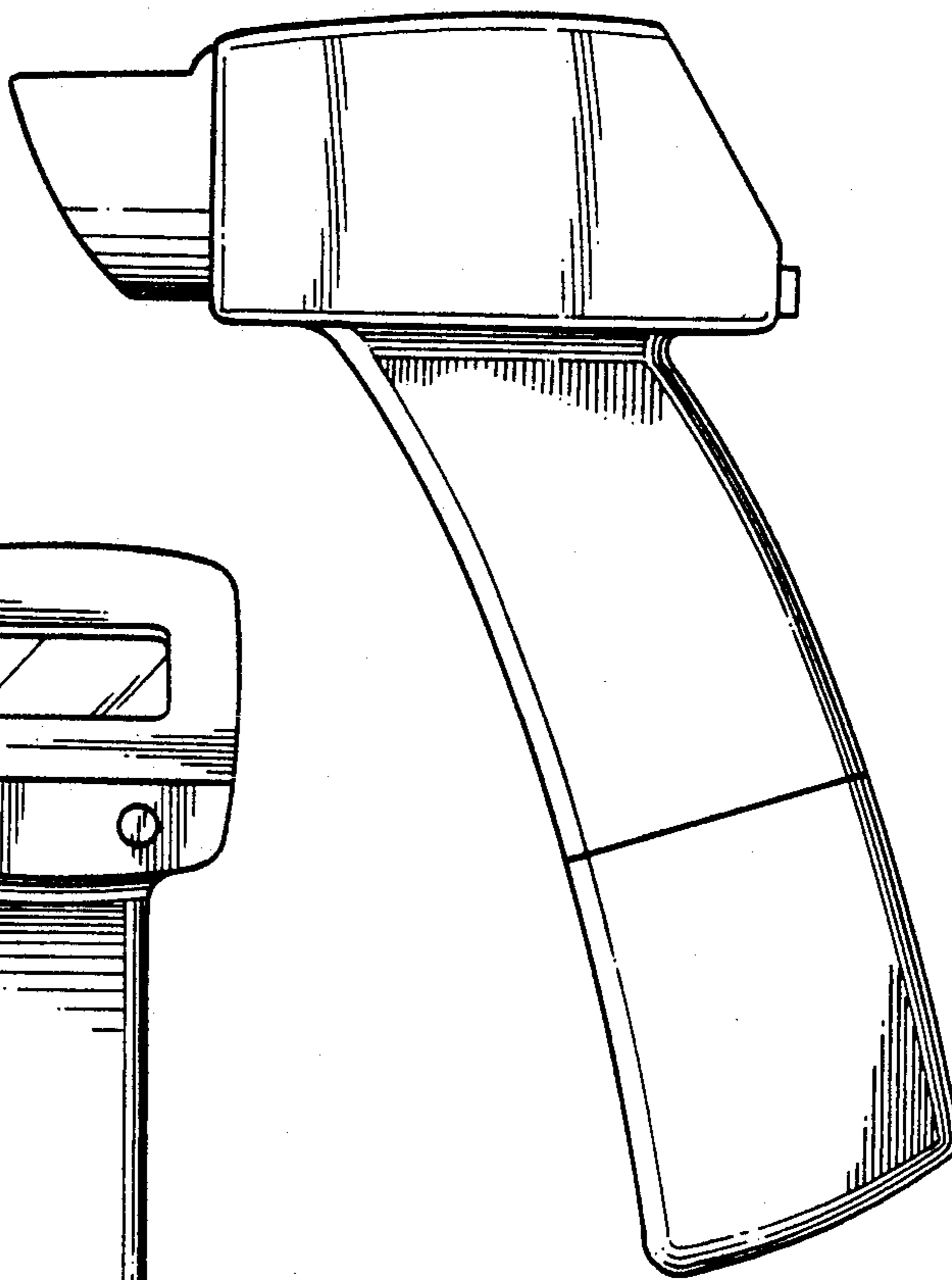


FIG. 1.

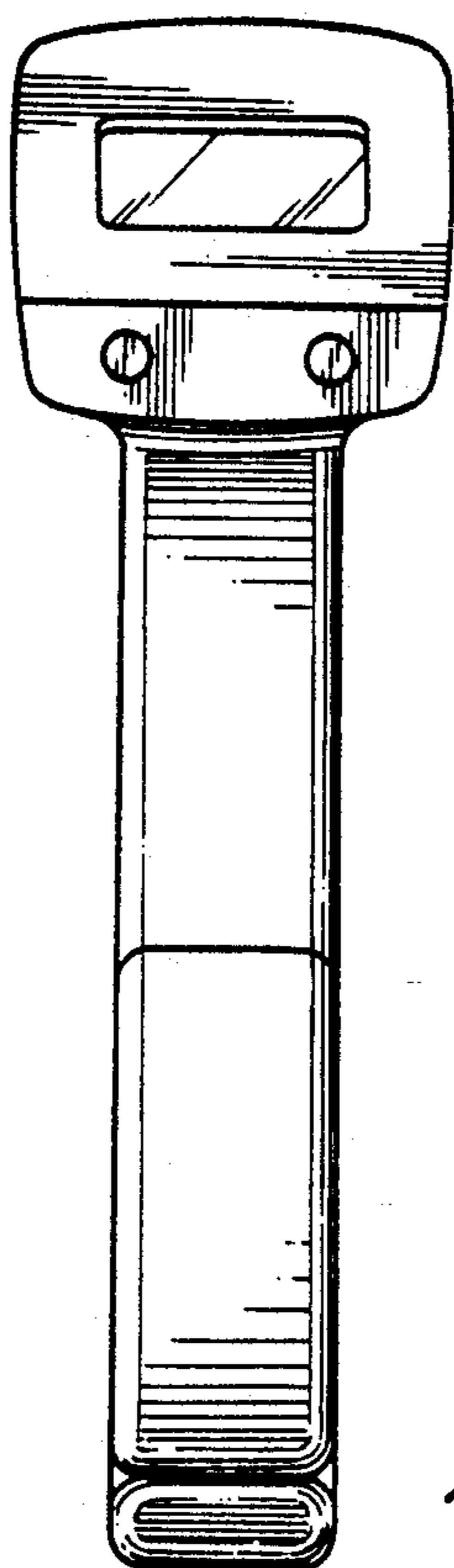


FIG. 11.

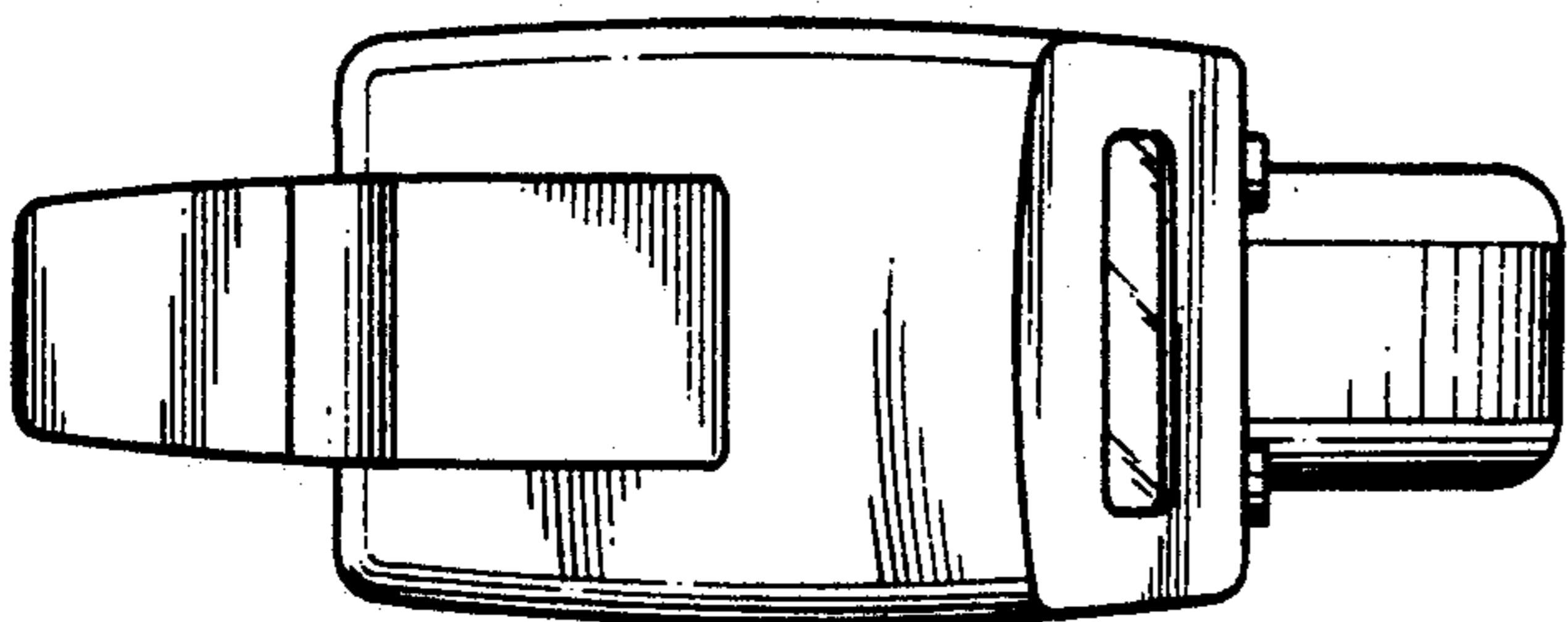


FIG. 9.

FIG. 10.

