



US00D338408S

# United States Patent [19]

[11] Patent Number: **Des. 338,408**

**Peersmann**

[45] Date of Patent: **\*\* Aug. 17, 1993**

[54] **CLOCK**

D. 308,890 6/1990 Wang ..... D19/42 X

[75] Inventor: **Richard F. M. Peersmann,**  
Scheveningen, Netherlands

### FOREIGN PATENT DOCUMENTS

2740946 3/1978 Fed. Rep. of Germany ..... D10/6

[73] Assignee: **Pollyflame International B.V.,**  
Roelofarendsveen, Netherlands

*Primary Examiner—Nelson C. Holtje*  
*Attorney, Agent, or Firm—Foley & Lardner*

[\*\*] Term: **14 Years**

### [57] CLAIM

[21] Appl. No.: **813,847**

The ornamental design for a clock, as shown and described.

[22] Filed: **Dec. 27, 1991**

### DESCRIPTION

[52] U.S. Cl. .... **D10/6; D10/15**

[58] Field of Search ..... **D10/1-40,**  
**D10/122-132; 368/239-242, 232, 285**

FIG. 1 is a perspective view of a clock showing my new design;

FIG. 2 is a front elevational view thereof;

FIG. 3 is a rear elevational view thereof;

FIG. 4 is a top plan view thereof;

FIG. 5 is a bottom plan view thereof;

FIG. 6 is a left side elevational view thereof; and,

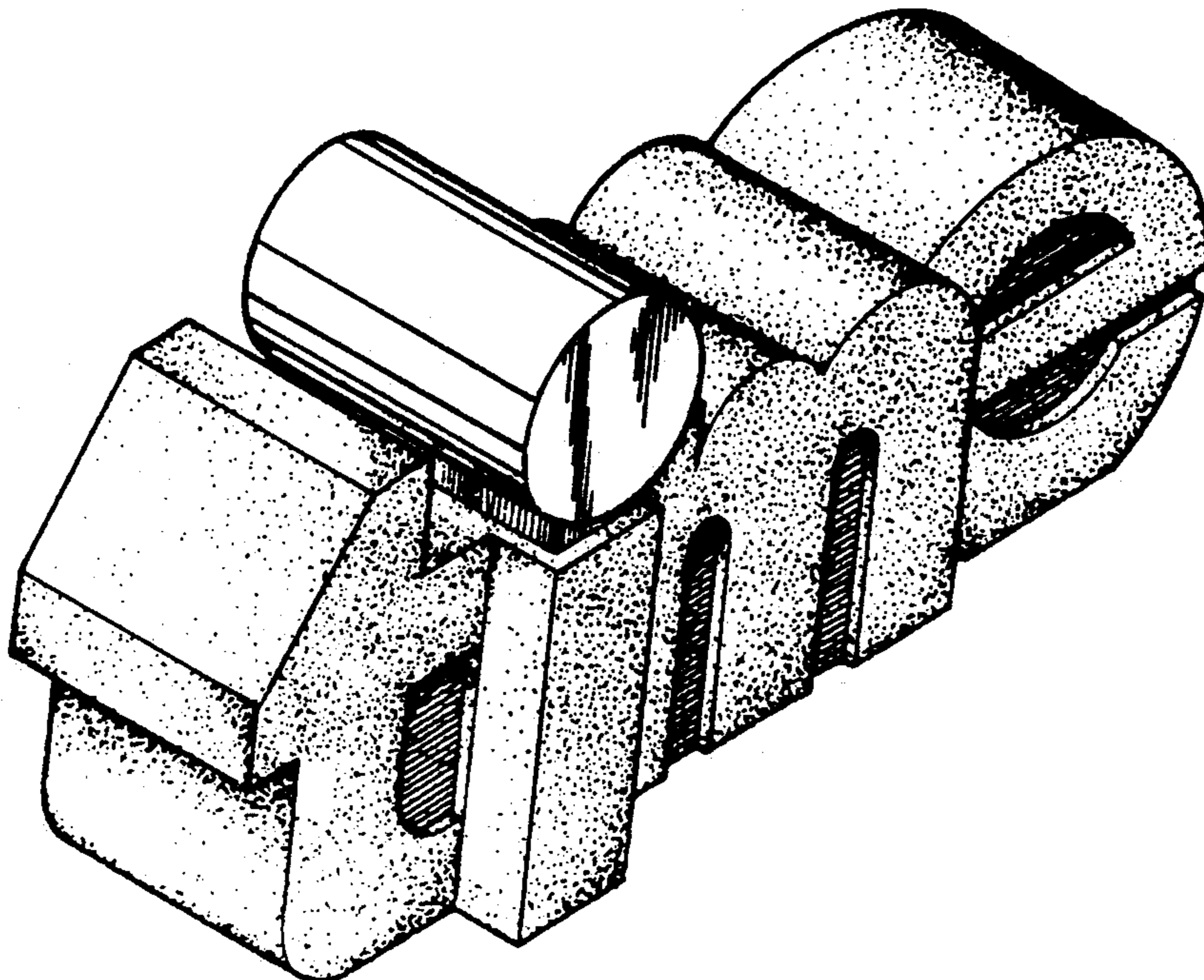
FIG. 7 is a right side elevational view thereof.

### [56] References Cited

#### U.S. PATENT DOCUMENTS

D. 229,438 11/1973 Klatil ..... D10/6 X

D. 305,619 1/1990 Diehl ..... D10/6



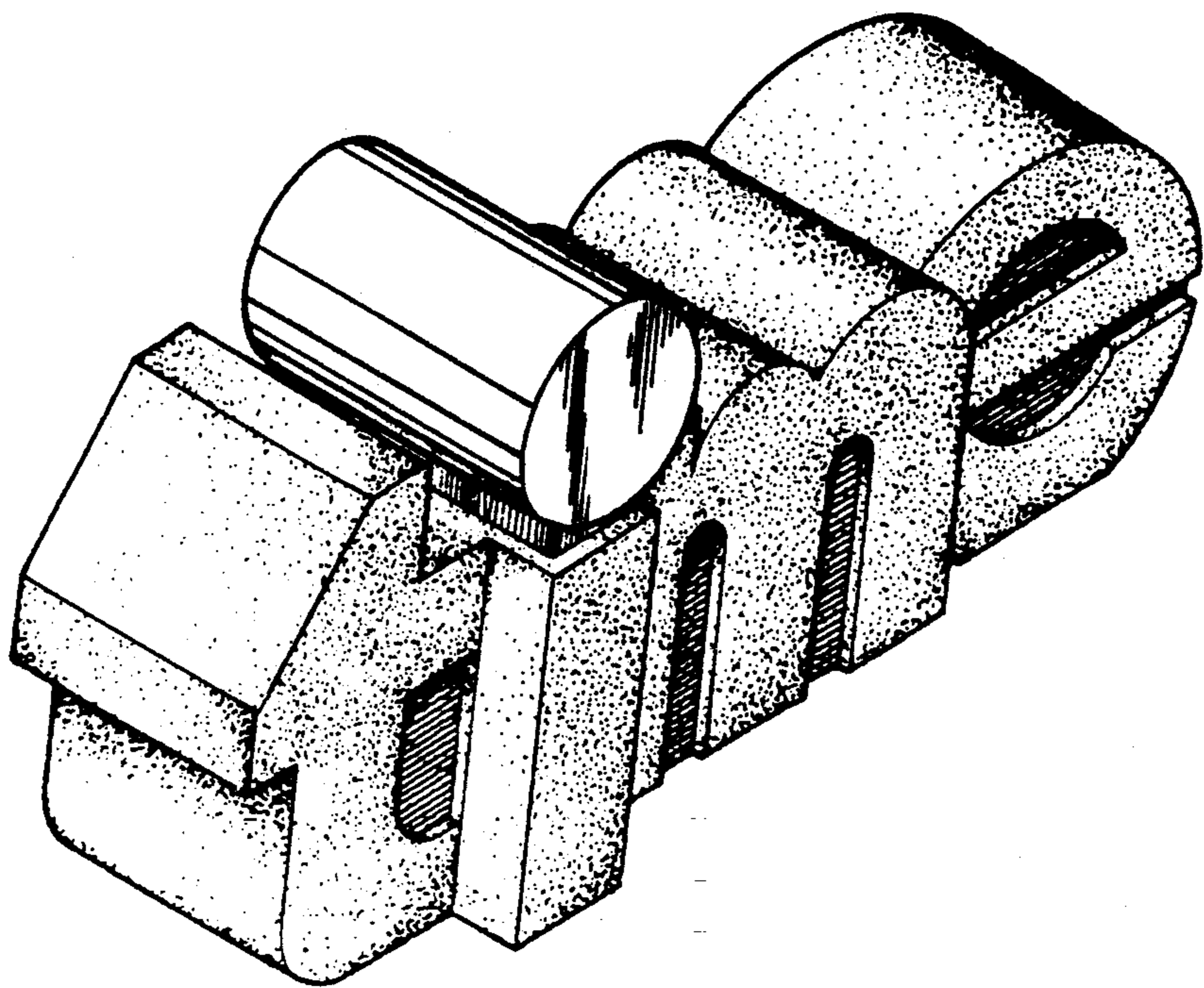


FIG. 1

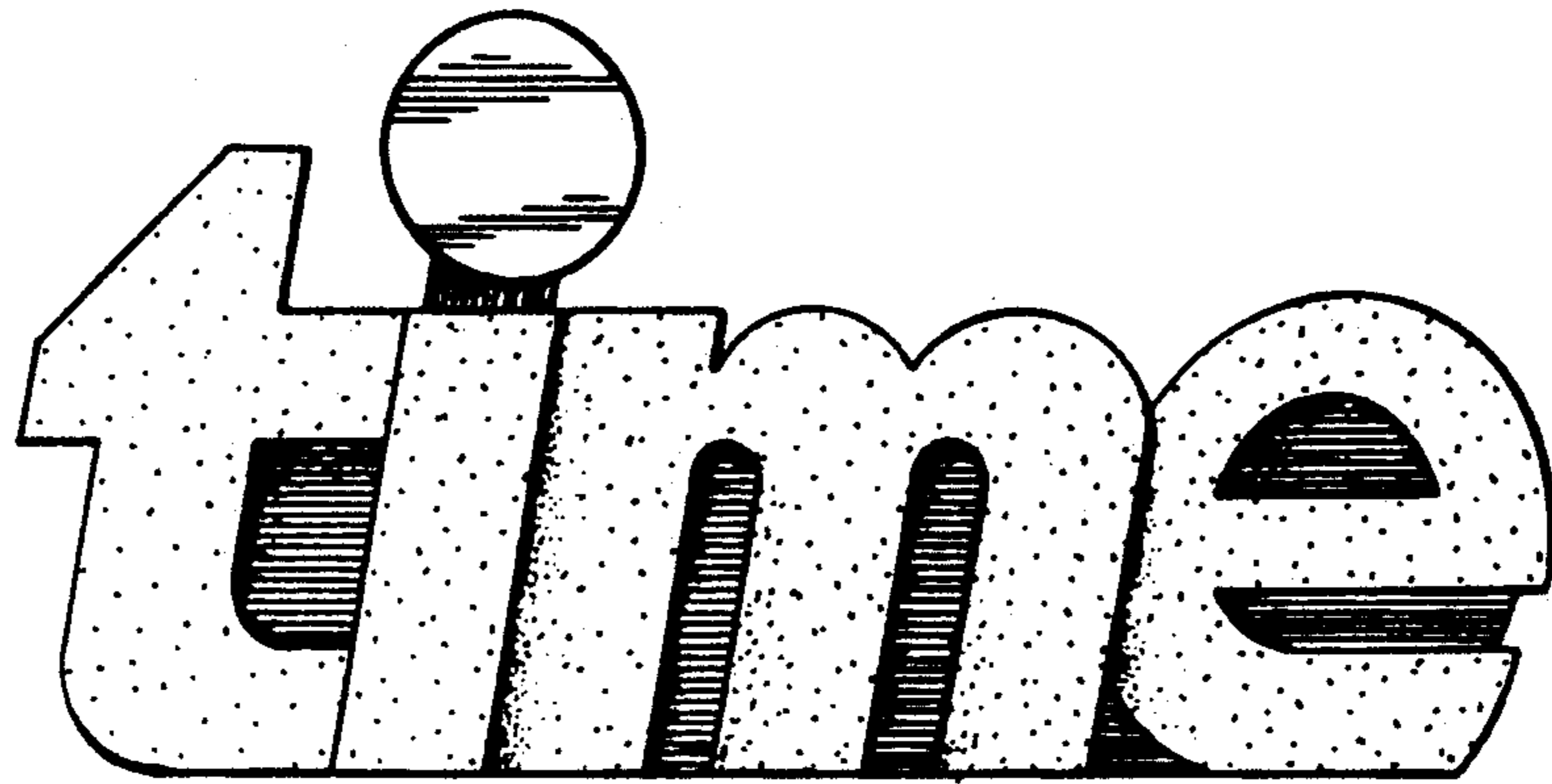


FIG. 2

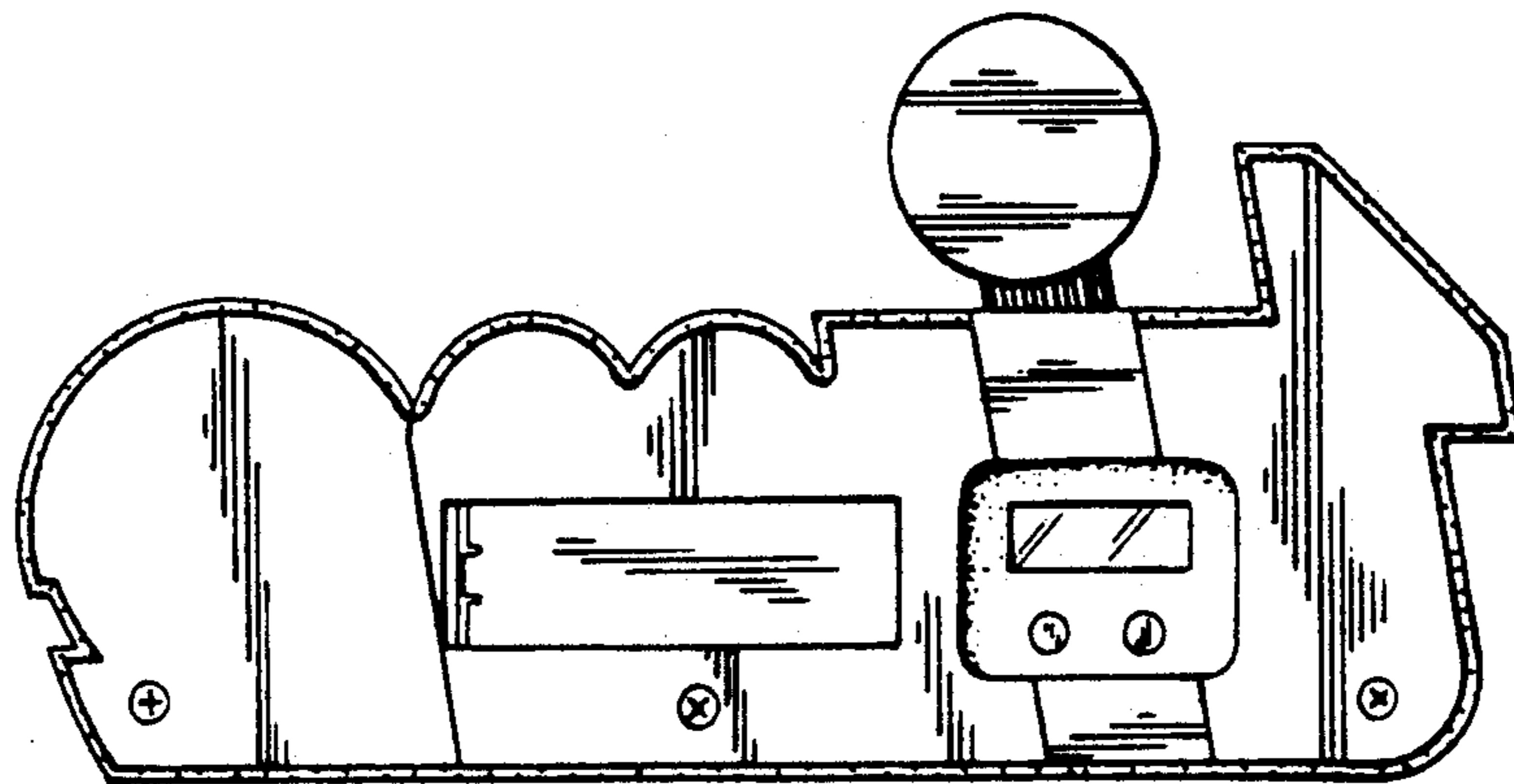


FIG. 3

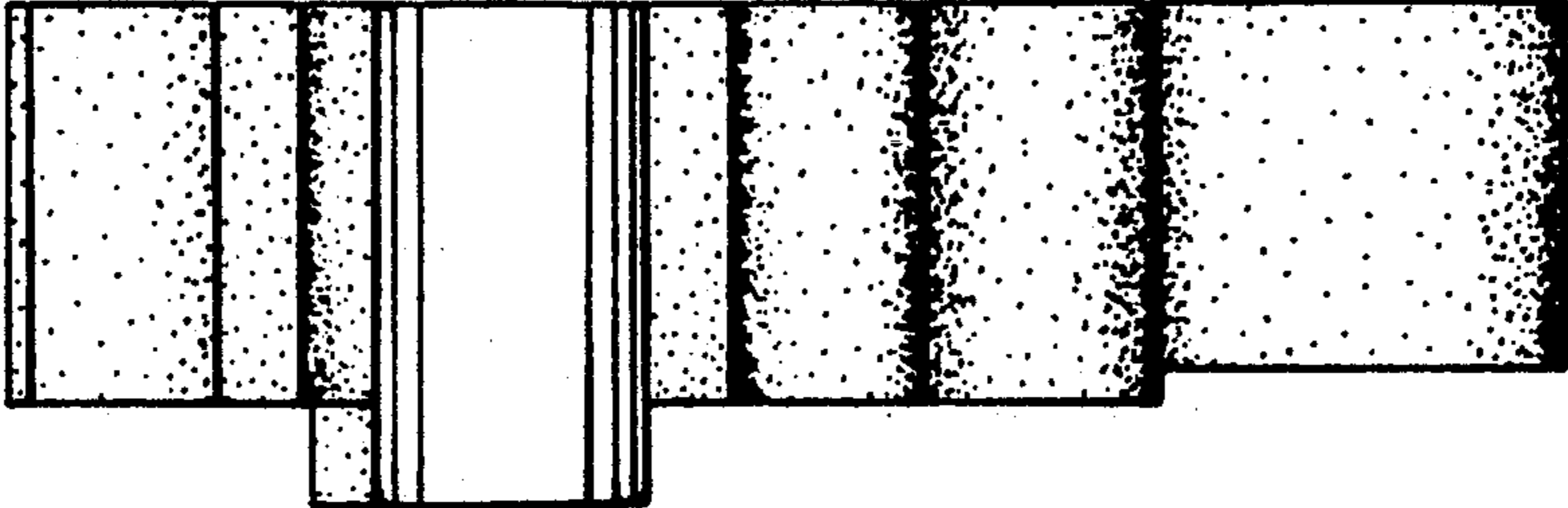


FIG. 4

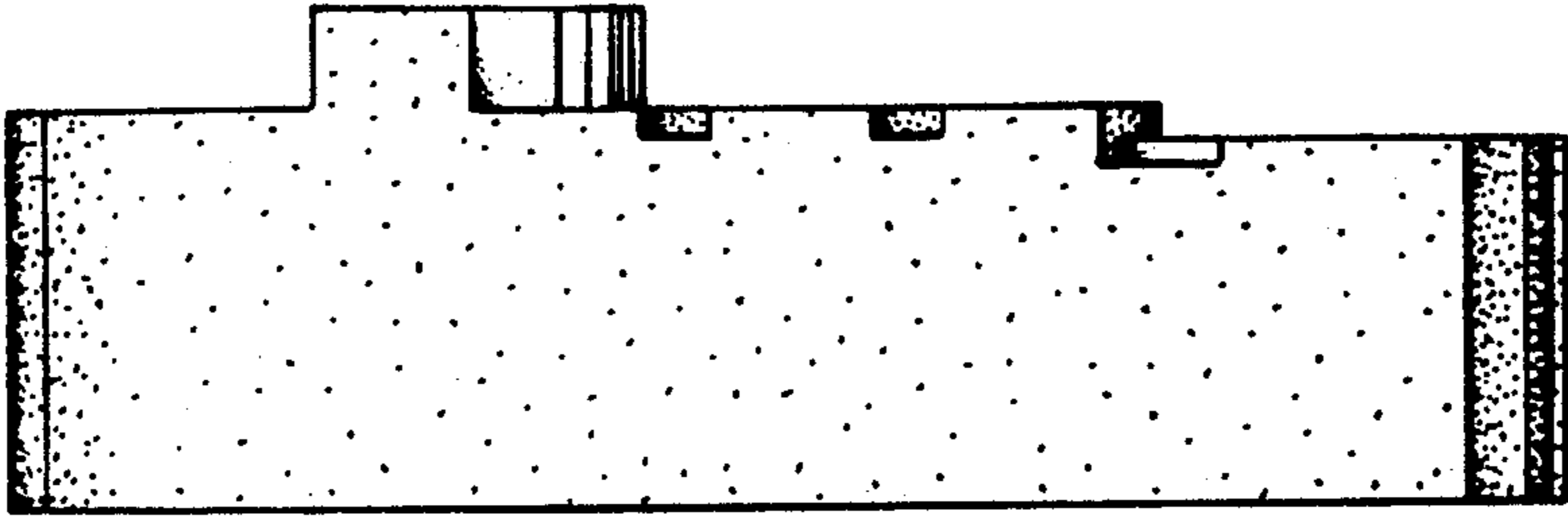


FIG. 5

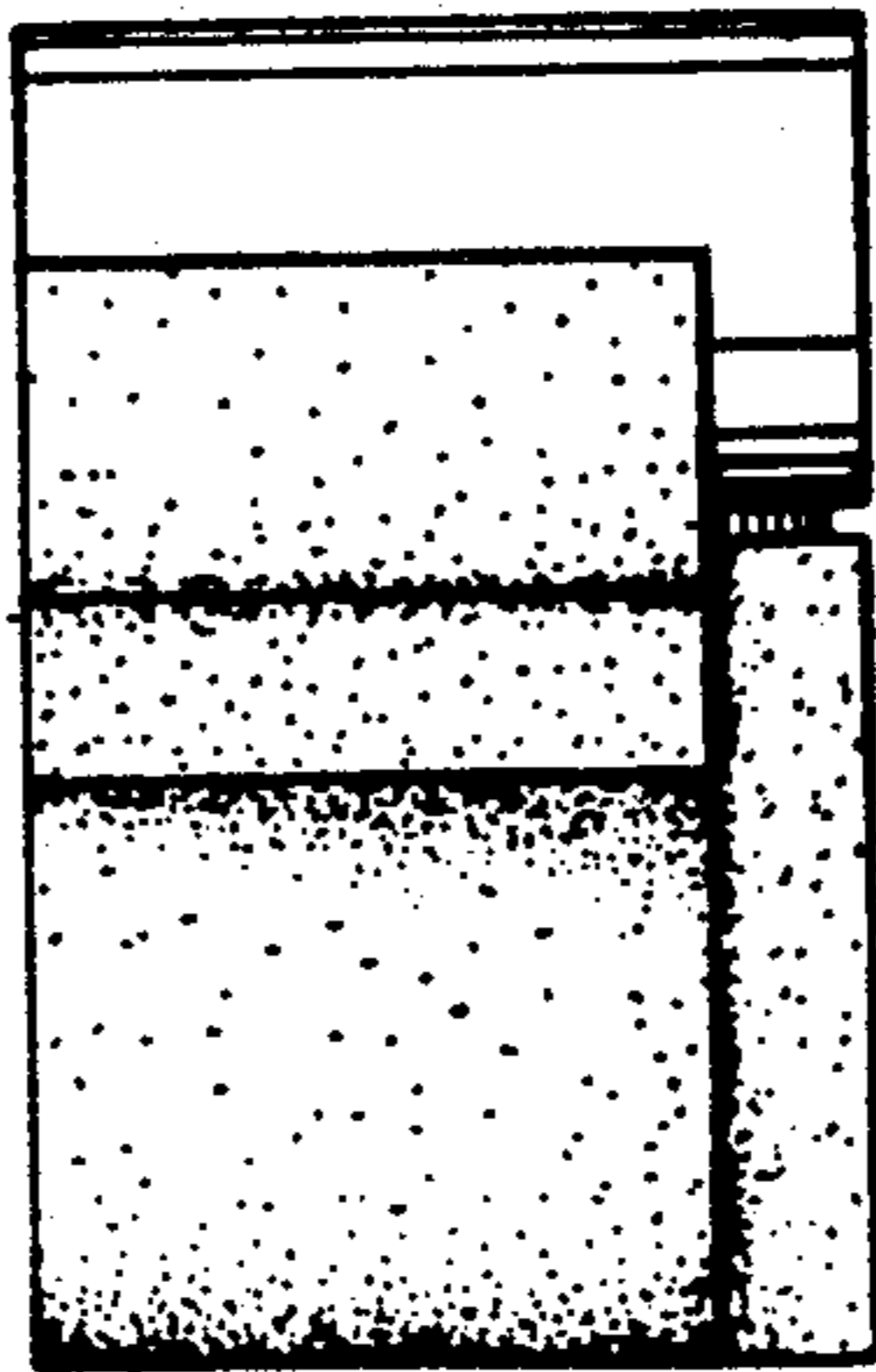


FIG. 6

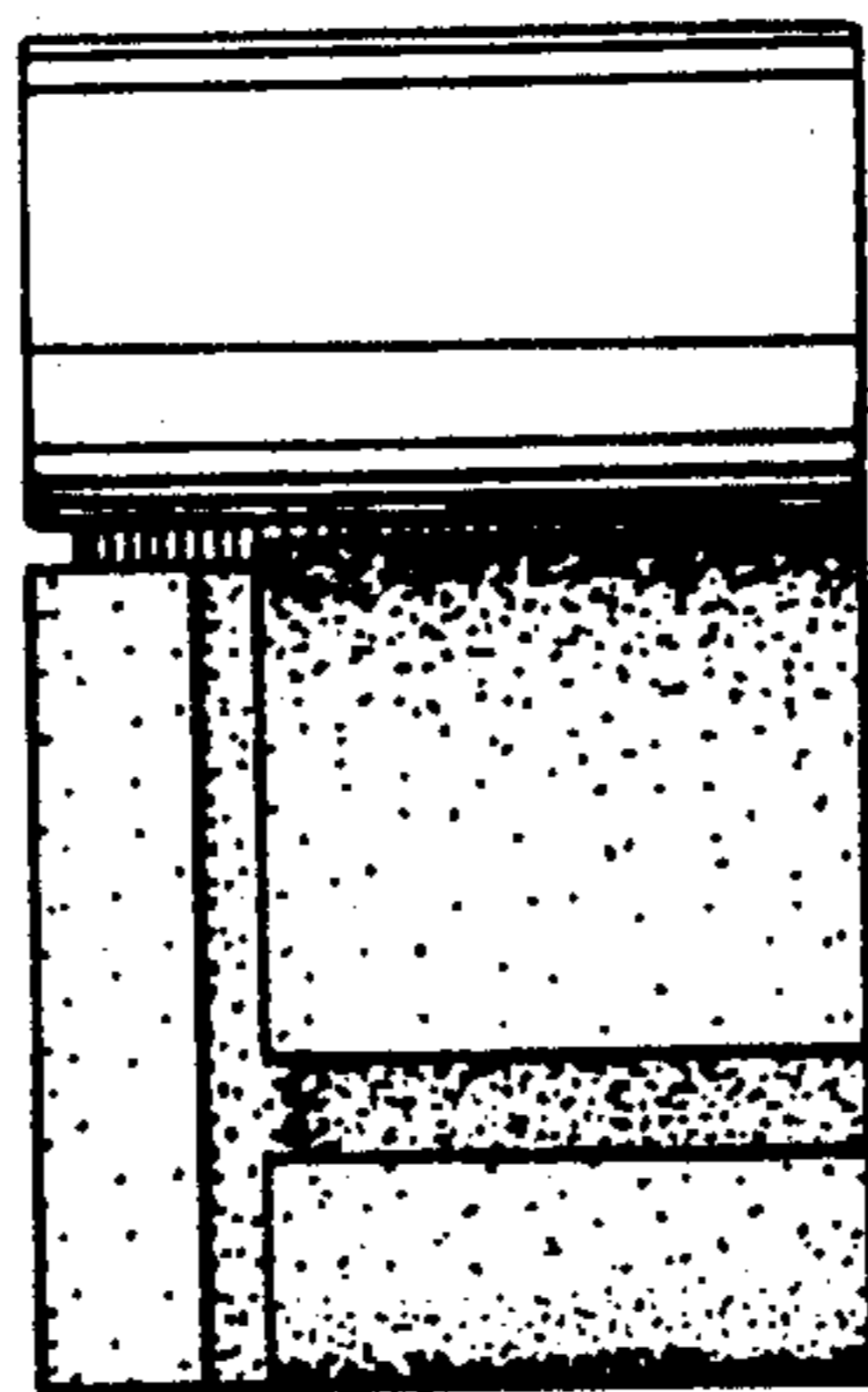


FIG. 7