



US00D338400S

United States Patent [19]

[11] Patent Number: Des. 338,400

Brown

[45] Date of Patent: ** Aug. 17, 1993

[54] COMBINED DISPENSER AND LID

3,730,378	5/1973	Albinson	312/328
3,762,790	10/1973	Neuwirth	312/328
4,103,805	8/1978	Silverstein	312/328

[76] Inventor: Ana M. Brown, 5073 Watergate Dr., Myrtle Beach, S.C. 29577

OTHER PUBLICATIONS

[**] Term: 14 Years

Fuller Brush Catalog; Sep. 1986; p. 11; item "I".

[21] Appl. No.: 670,620

Primary Examiner—B. J. Bullock
Assistant Examiner—Mitchell I. Siegel
Attorney, Agent, or Firm—Terry M. Gernstein

[22] Filed: Mar. 18, 1991

[52] U.S. Cl. D9/339; D28/76;
D28/91

[57] CLAIM

[58] Field of Search D9/301, 337, 339, 560,
D9/569, 424, 432, 435, 499; D3/30.1; D28/73,
76, 77, 83, 91; D6/524, 551; D34/1, 4, 7

The ornamental design for a combined dispenser and lid, as shown and described.

DESCRIPTION

[56] References Cited

U.S. PATENT DOCUMENTS

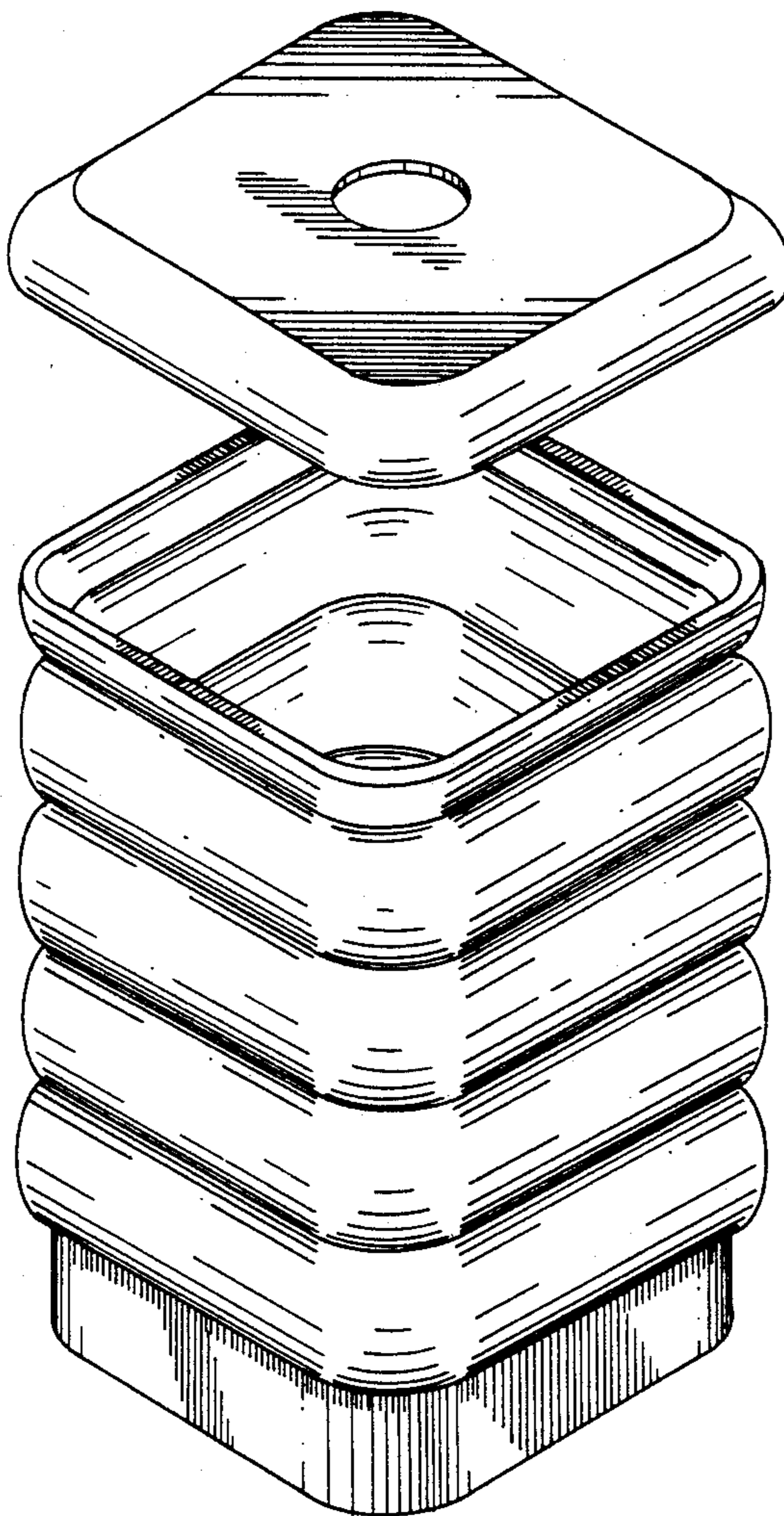
D. 24,686	9/1895	Anderson	D9/306
D. 159,872	8/1950	Skold	D28/76 X
D. 168,238	11/1952	Perlman	D28/77
D. 264,782	6/1982	Thompson	D6/524
D. 297,774	9/1988	Sussman	D28/76
D. 317,079	5/1991	Schmidt et al.	D3/30.1

FIG. 1 is an exploded top front and right side perspective view of a combined dispenser and lid showing my new design;

FIG. 2 is a side elevational view of a combined dispenser and lid with the lid in the closed position, the undisclosed opposite side being a mirror image;

FIG. 3 is a top plan view of FIG. 2; and,

FIG. 4 is a bottom plan view of FIG. 2.



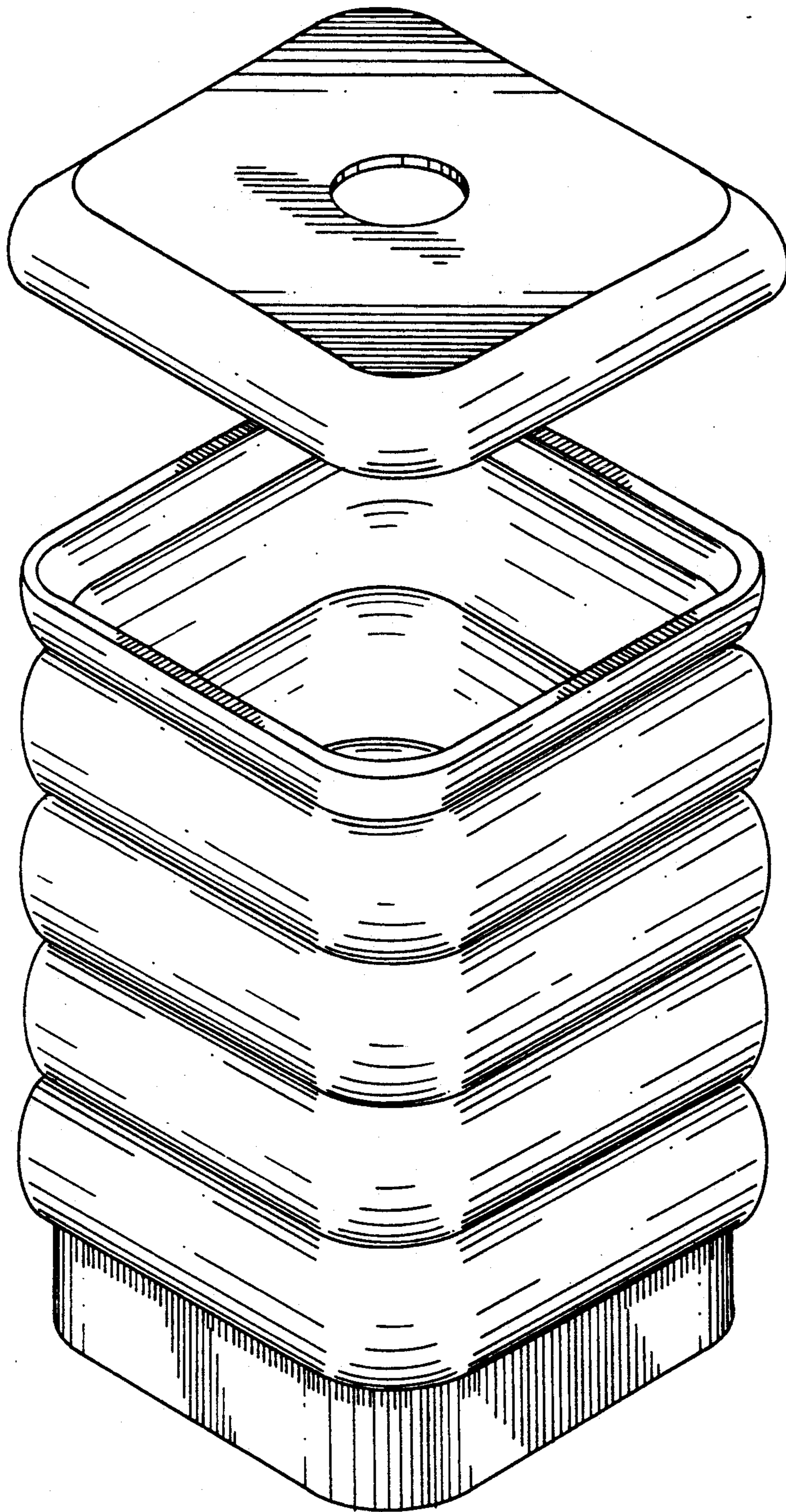


FIG.1.

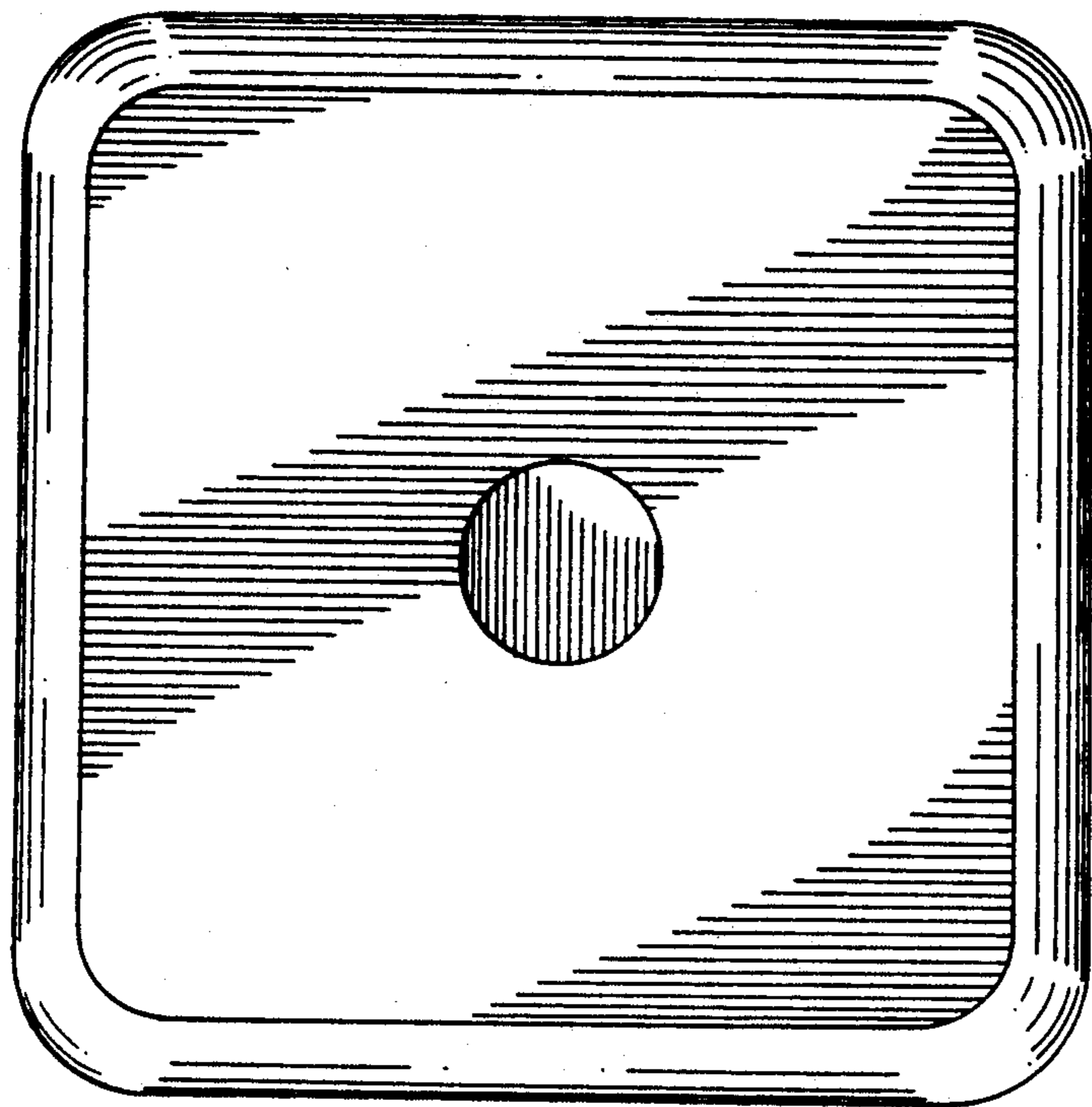


FIG. 3.

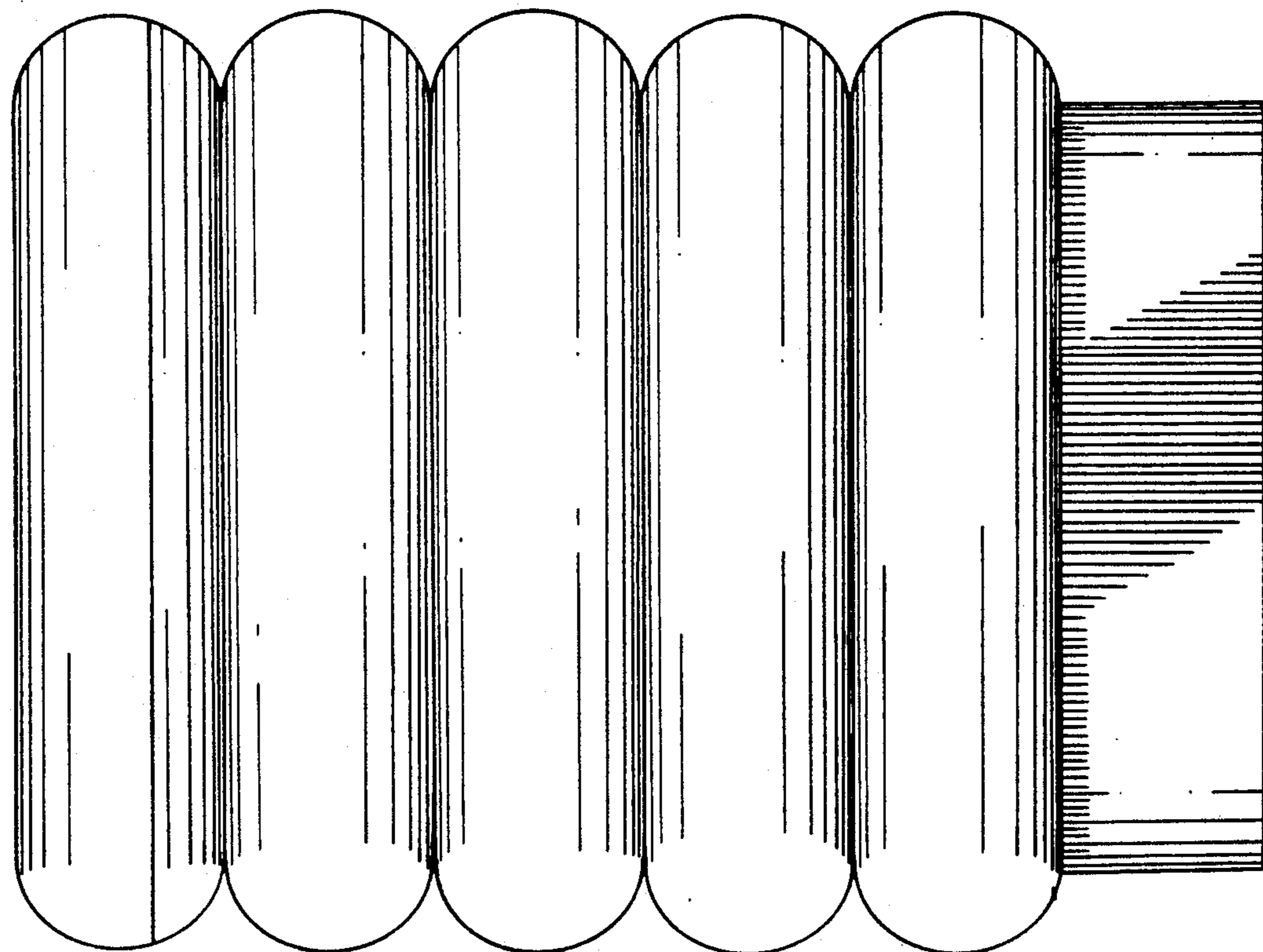


FIG. 2.

FIG. 4.

