



US00D338395S

# United States Patent [19]

[11] Patent Number: **Des. 338,395**

Luker

[45] Date of Patent: **\*\* Aug. 17, 1993**

## [54] PRESSURIZED CONTAINER

3,143,250 8/1964 Pengue ..... 222/182

[76] Inventor: **Timothy Luker**, 9249 Beech St.,  
Fontana, Calif. 92335

### OTHER PUBLICATIONS

[\*\*] Term: **14 Years**

Modern Packaging Encyclopedia, 1961, p. 403—the  
two Spray Containers at bottom and left.

[21] Appl. No.: **544,480**

Aerosol Age, Aug. 1980, p. 199, Spray Container in top  
row, 2nd from left. (arrow).

[22] Filed: **Jun. 27, 1990**

Aerosol Age, Sep. 1980, p. 61—Container at bottom of  
page.

[52] U.S. Cl. .... **D9/300; D9/536;**  
**D29/2**

*Primary Examiner*—Bernard Ansher

*Assistant Examiner*—C. Tuttle

*Attorney, Agent, or Firm*—Leon Gilden

[58] Field of Search ..... **D9/300, 337, 374, 378,**  
**D9/383, 384, 390, 500-505, 531, 536; D23/225;**  
**222/323, 324, 391, 402.12, 402.15, 465.1,**  
**470-474; 215/1 R, 1 C; D29/2**

### [57] CLAIM

The ornamental design for a pressurized container, as  
shown and described.

### [56] References Cited

#### U.S. PATENT DOCUMENTS

D. 189,732	2/1961	Williams	.....	D9/536
D. 195,376	6/1963	Curtis	.....	D9/536
D. 231,084	4/1974	Motsch	.....	D9/503
D. 241,011	9/1976	Pettengill	.....	D9/500
D. 256,776	9/1980	Monnet	.....	D9/395
2,137,786	11/1938	Schlosser	.....	222/470 X
2,431,881	12/1947	Miller	.....	222/473 X
2,824,614	2/1958	Bowman	.....	D29/2 X
2,830,742	4/1958	Gibbons et al.	.....	222/473 X

### DESCRIPTION

FIG. 1 is a front elevational view of a pressurized con-  
tainer showing my new design;  
FIG. 2 is a rear elevational view thereof;  
FIG. 3 is a left side elevational view thereof;  
FIG. 4 is a right side elevational view thereof;  
FIG. 5 is a top plan view shown on an enlarged scale;  
FIG. 6 is a bottom plan view thereof; and,  
FIG. 7 is an enlarged cross sectional view taken along  
line 7-7 of FIG. 4.

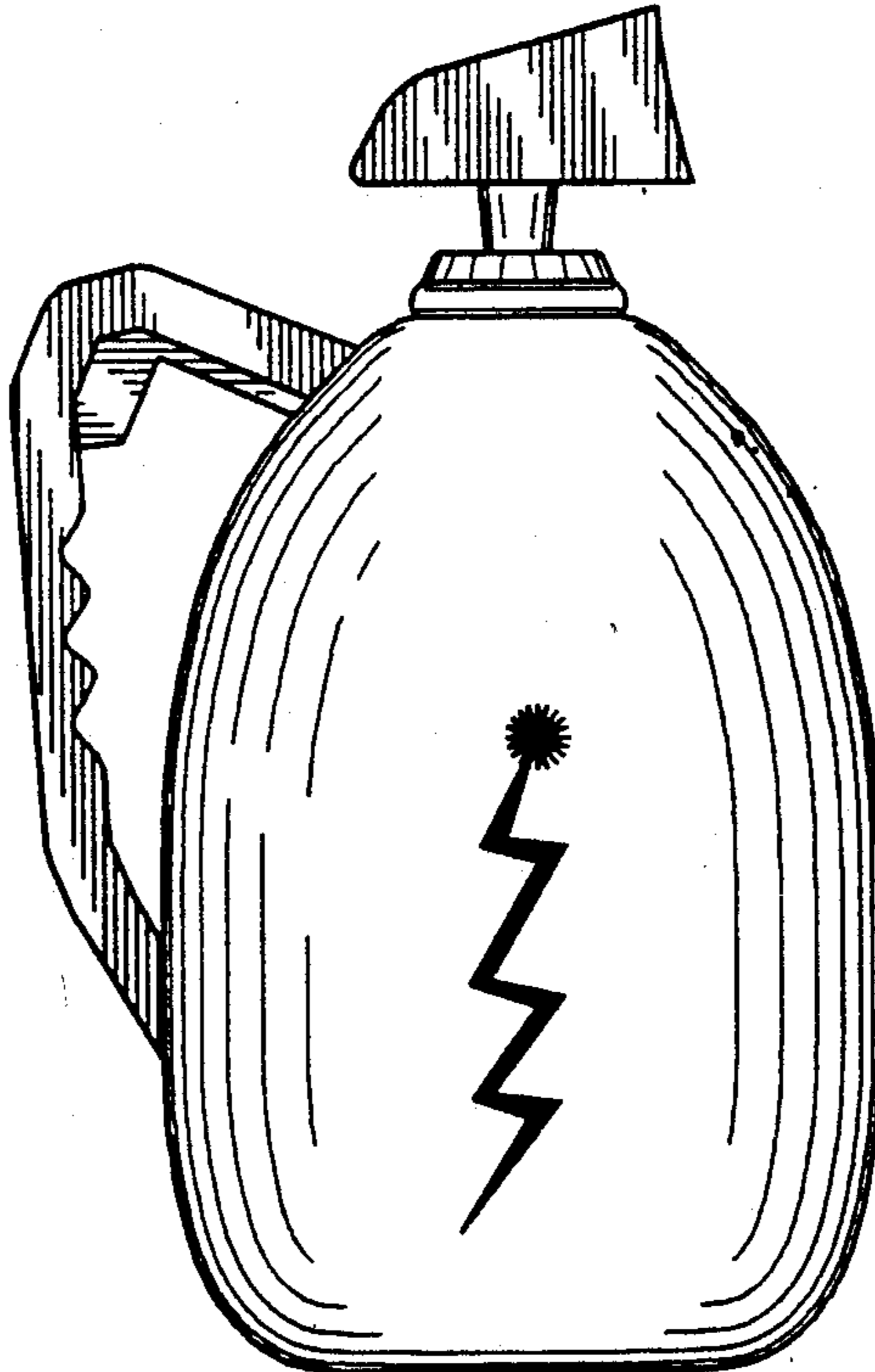


FIG. 1

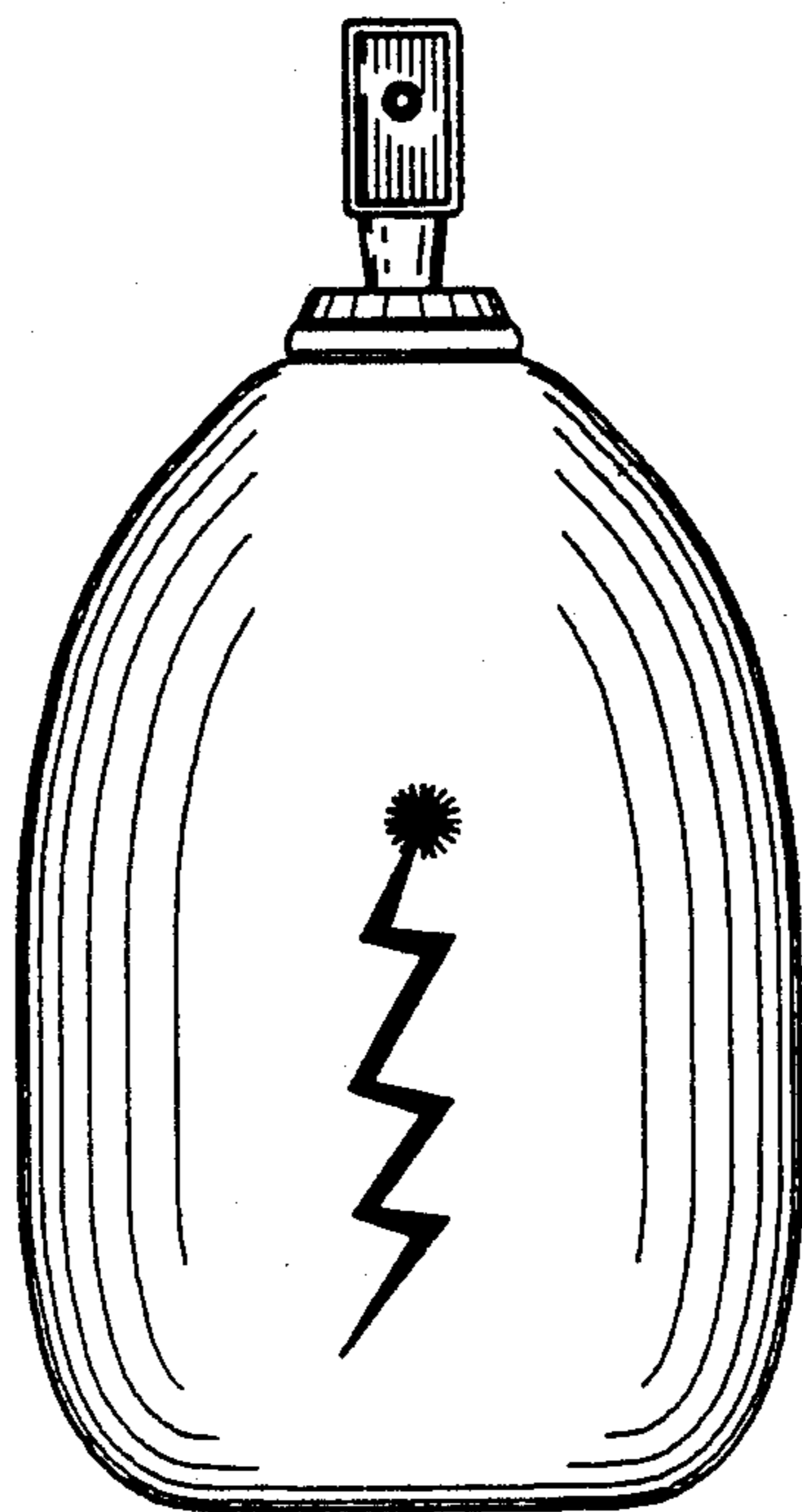


FIG. 2

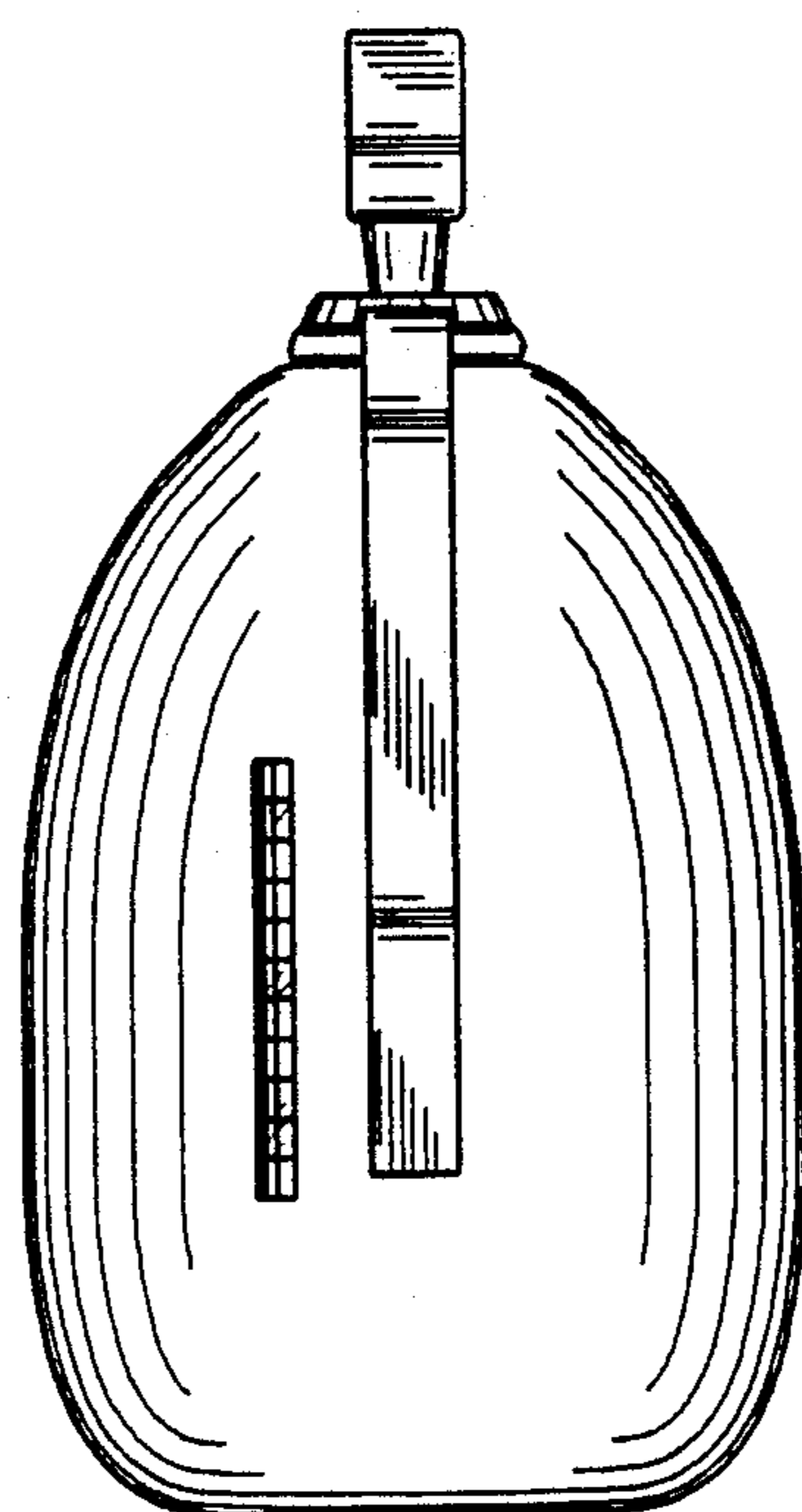


FIG. 3

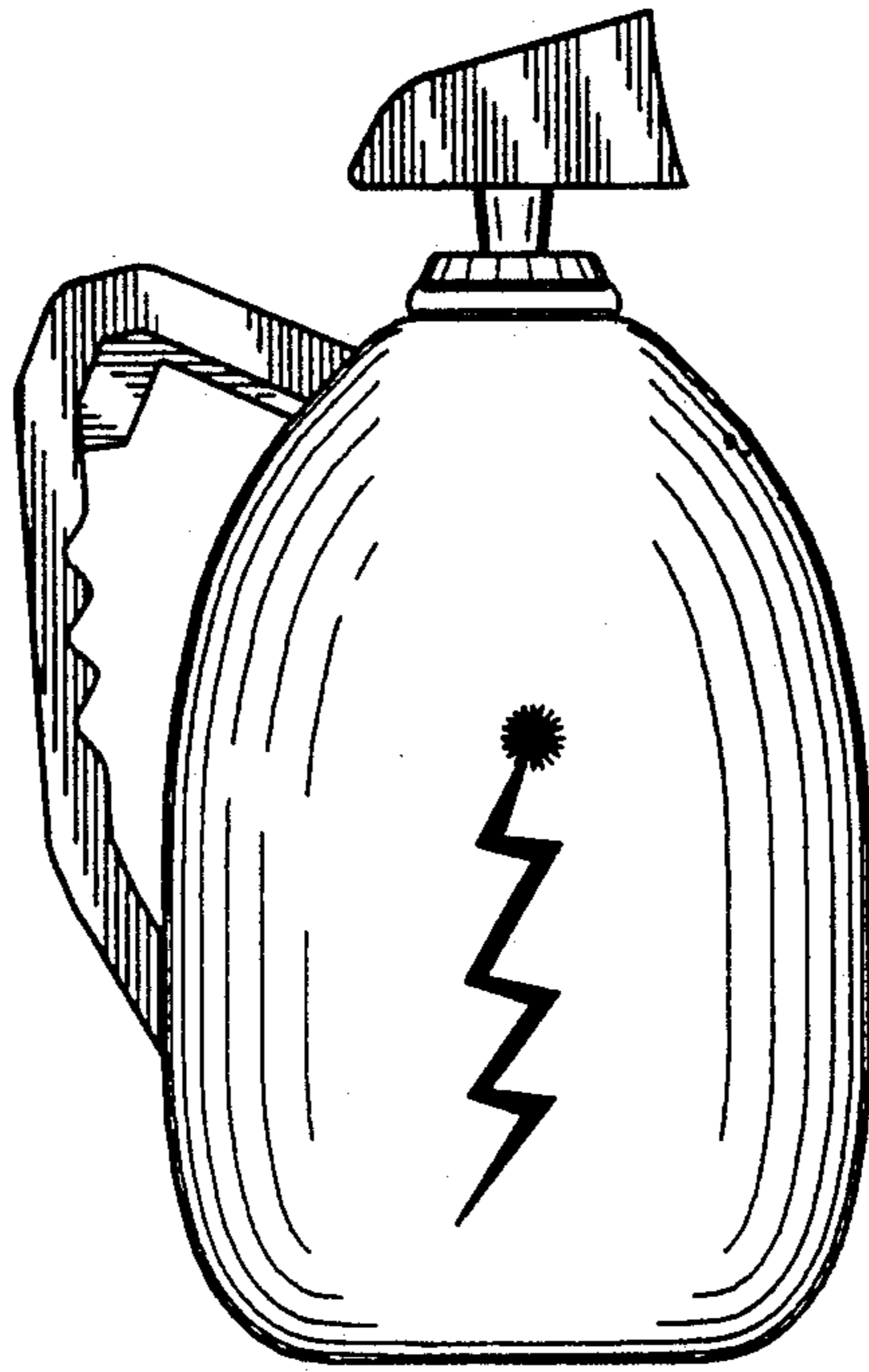


FIG. 4

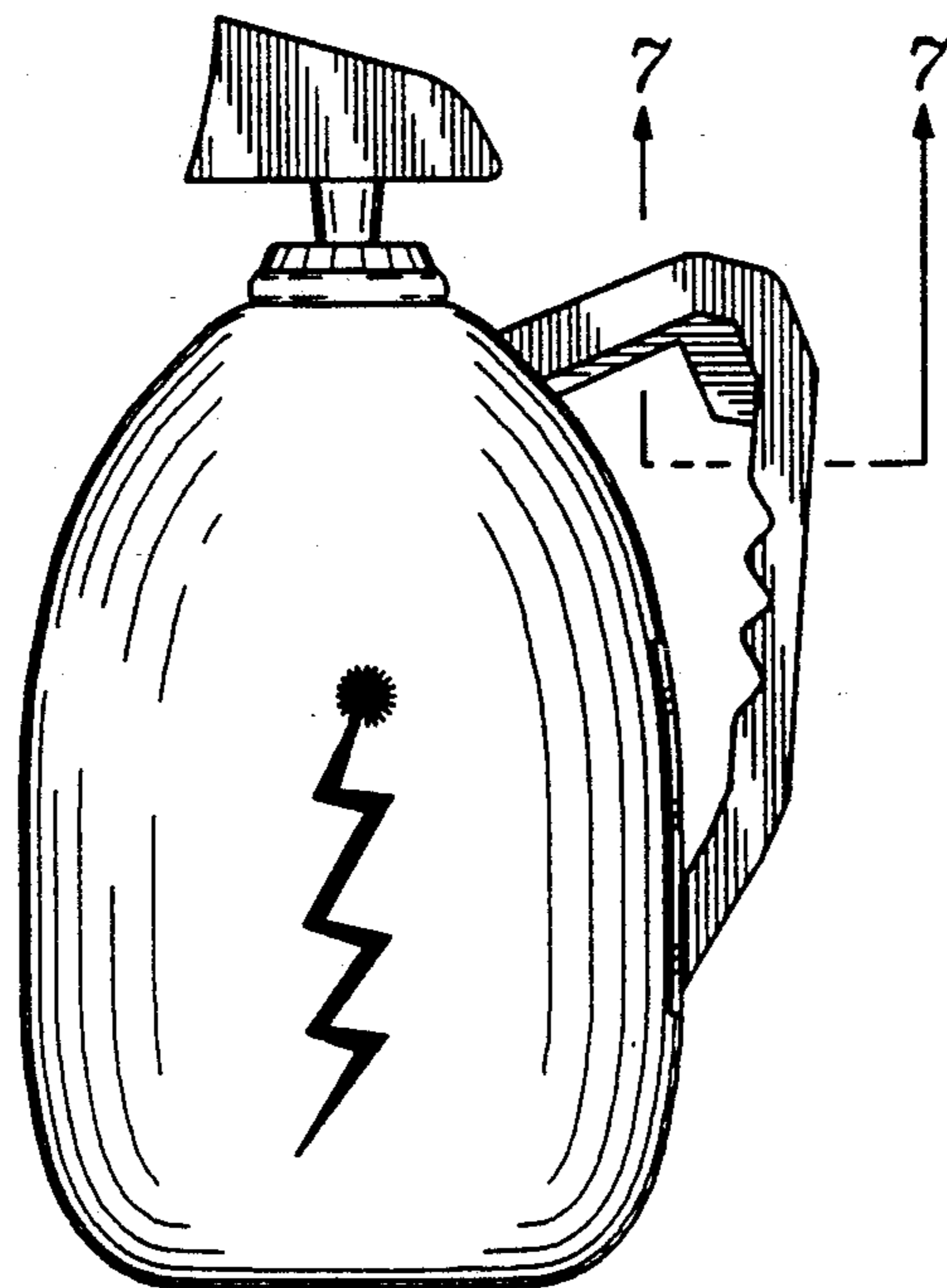


FIG. 5

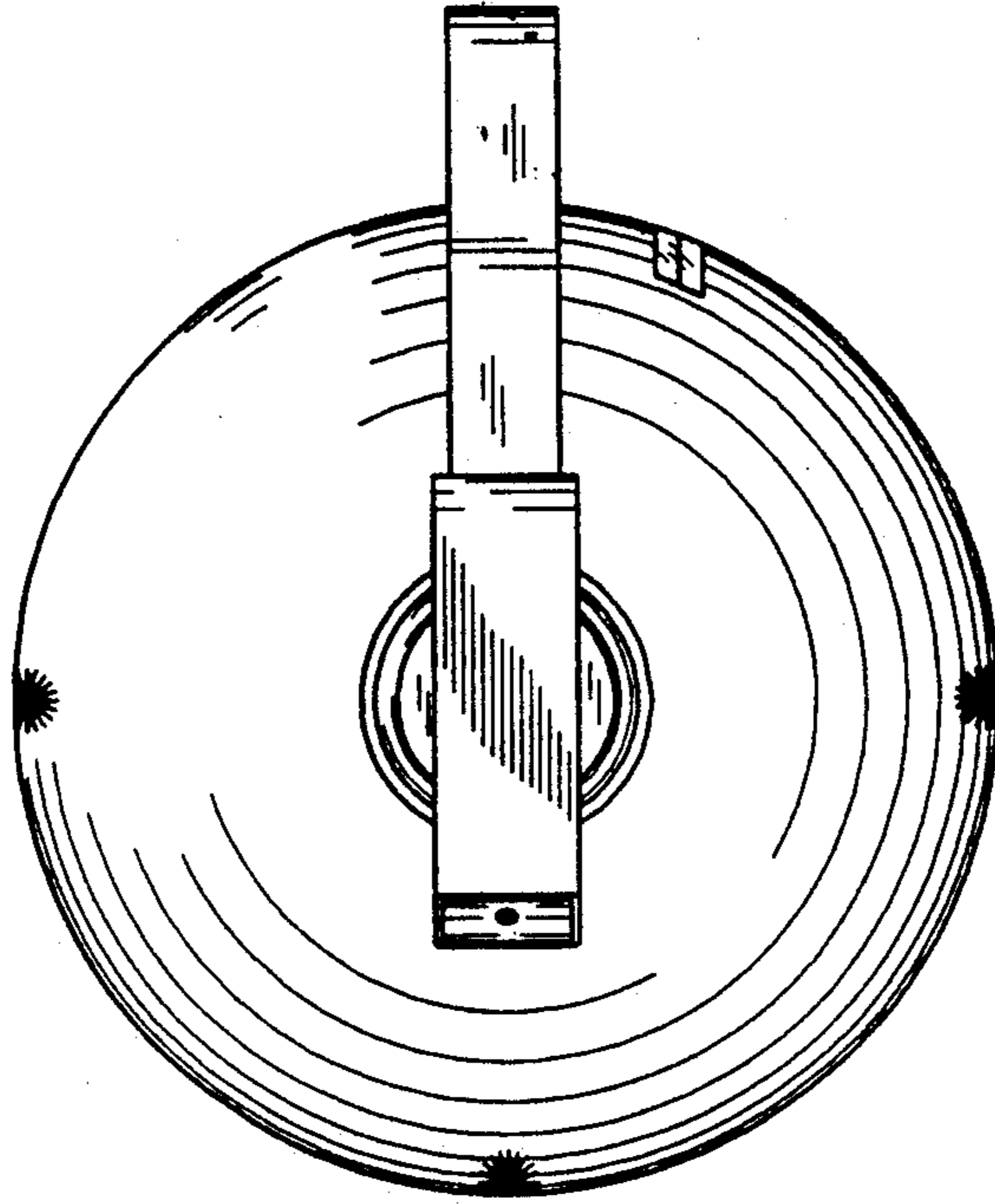


FIG. 6

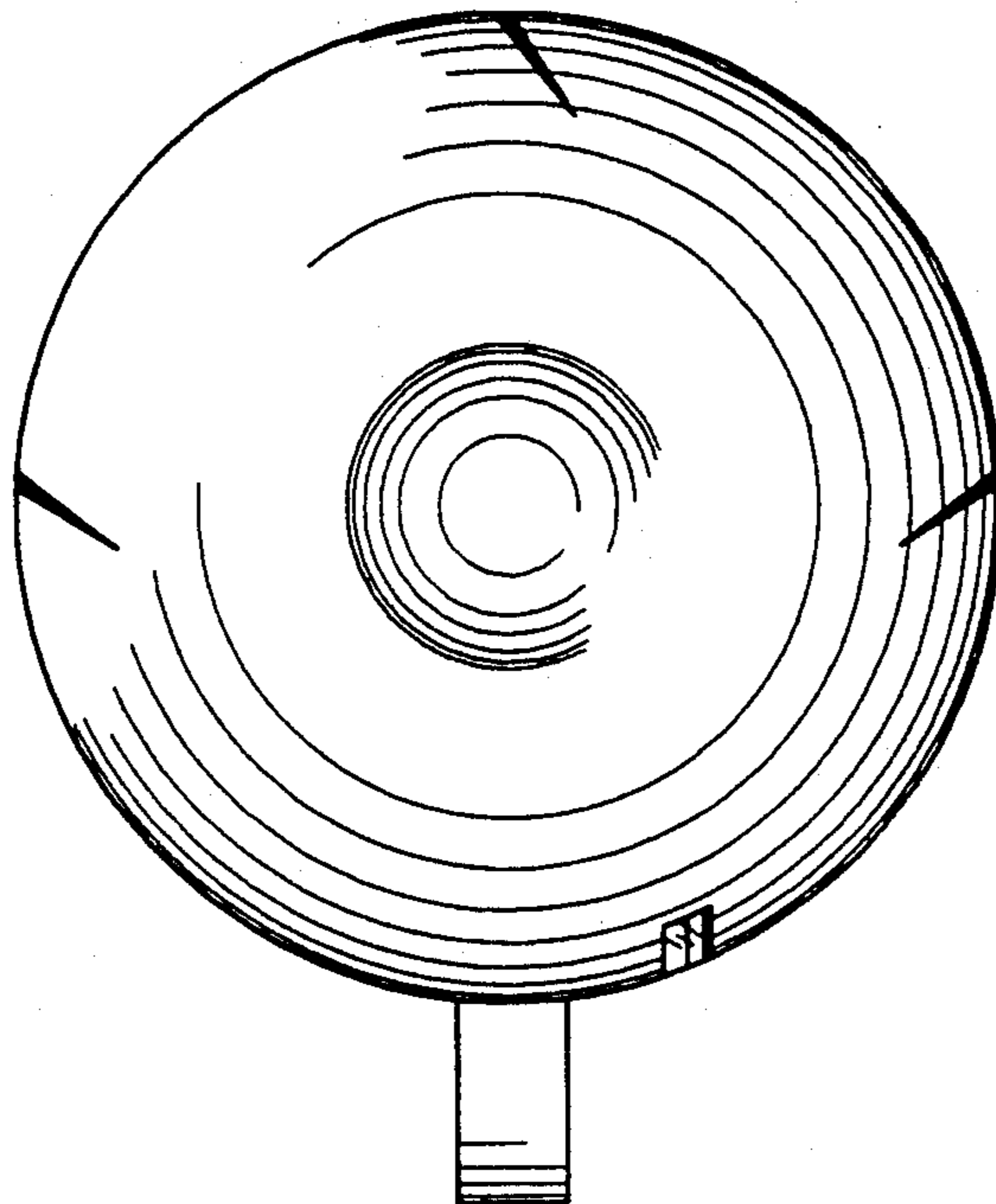


FIG. 7

