



US00D338390S

# United States Patent [19]

[11] Patent Number: **Des. 338,390**

Akashi et al.

[45] Date of Patent: **\*\* Aug. 17, 1993**

[54] **BELT ADJUSTER USED ON SUSPENDERS FOR CLOTHING**

[75] Inventors: **Shunji Akashi, Kurobe; Yoshiyuki Horita, Toyama, both of Japan**

[73] Assignee: **Yoshida Kogyo K.K., Tokyo, Japan**

[\*\*] Term: **14 Years**

[21] Appl. No.: **673,578**

[22] Filed: **Mar. 22, 1991**

[30] **Foreign Application Priority Data**

Sep. 25, 1990 [JP] Japan ..... 2-32090

[52] U.S. Cl. .... **D11/216**

[58] Field of Search ..... **D11/200, 215, 216, 218, D11/231; 24/163 R, 166-167, 169, 181, 191**

[56] **References Cited**

**U.S. PATENT DOCUMENTS**

D. 301,215	5/1989	Crowle .....	D11/218
D. 328,045	7/1992	Matoba .....	D11/218
D. 329,210	9/1992	Cullman .....	D11/216
3,336,641	8/1967	Hunter .....	24/163 R X
4,384,390	5/1983	Hayakawa .....	24/163 R
4,637,099	1/1987	Hasai .....	24/169

*Primary Examiner*—Brian N. Vinson  
*Attorney, Agent, or Firm*—Hill, Steadman & Simpson

[57] **CLAIM**

The ornamental design for belt adjuster used on suspenders for clothing, as shown.

**DESCRIPTION**

FIG. 1 is a front view of a belt adjuster used on suspenders for clothing;

FIG. 2 is a plan view of the belt adjuster of FIG. 1;

FIG. 3 is a right side view of the belt adjuster of FIG. 1;

FIG. 4 is a left side view of the belt adjuster of FIG. 1;

FIG. 5 is a rear view of the belt adjuster of FIG. 1;

FIG. 6 is a base view of the belt adjuster of FIG. 1;

FIG. 7 is a cross-sectional view taken on line A—A of FIG. 1;

FIG. 8 is a cross-sectional view taken on line B—B of FIG. 1;

FIG. 9 is a cross-sectional view taken on line C—C of FIG. 3; and,

FIG. 10 is a top plan view of the belt adjuster of FIG. 1, showing the two portions of the assembly partially disengaged with the broken-line disclosure of a belt fragments being for illustrative purposes only and forming no part of the claimed design;

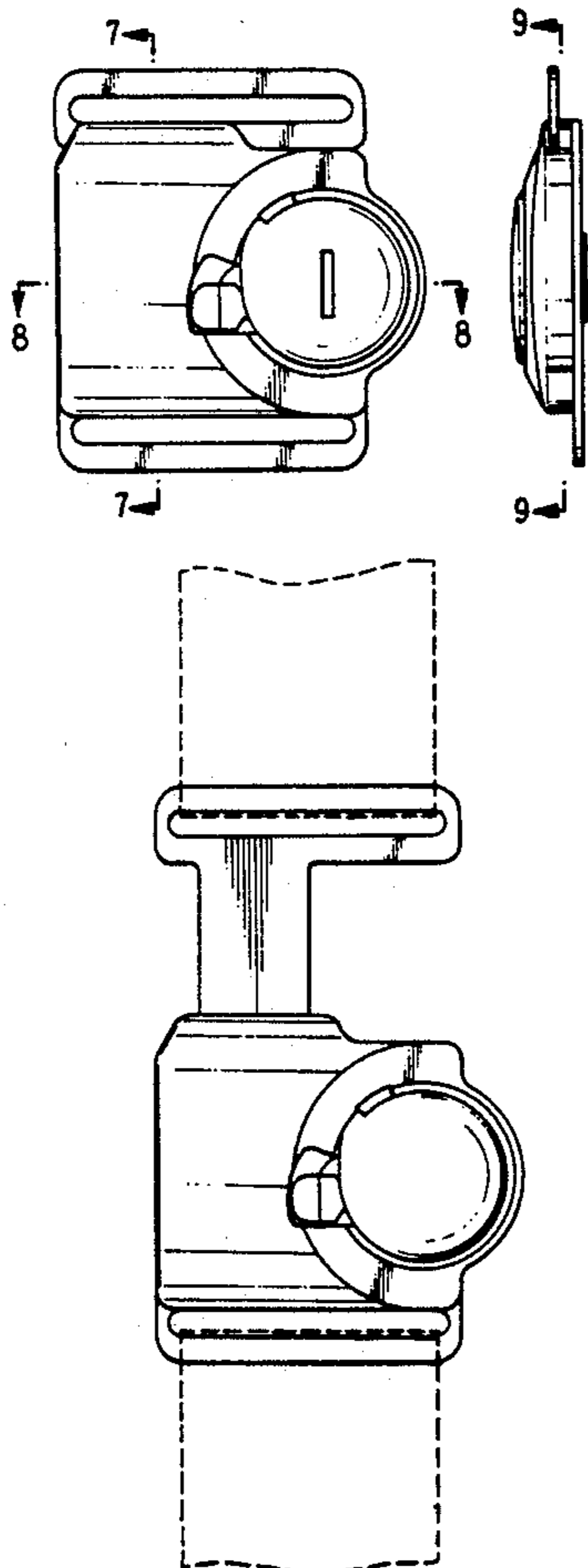


FIG. 1

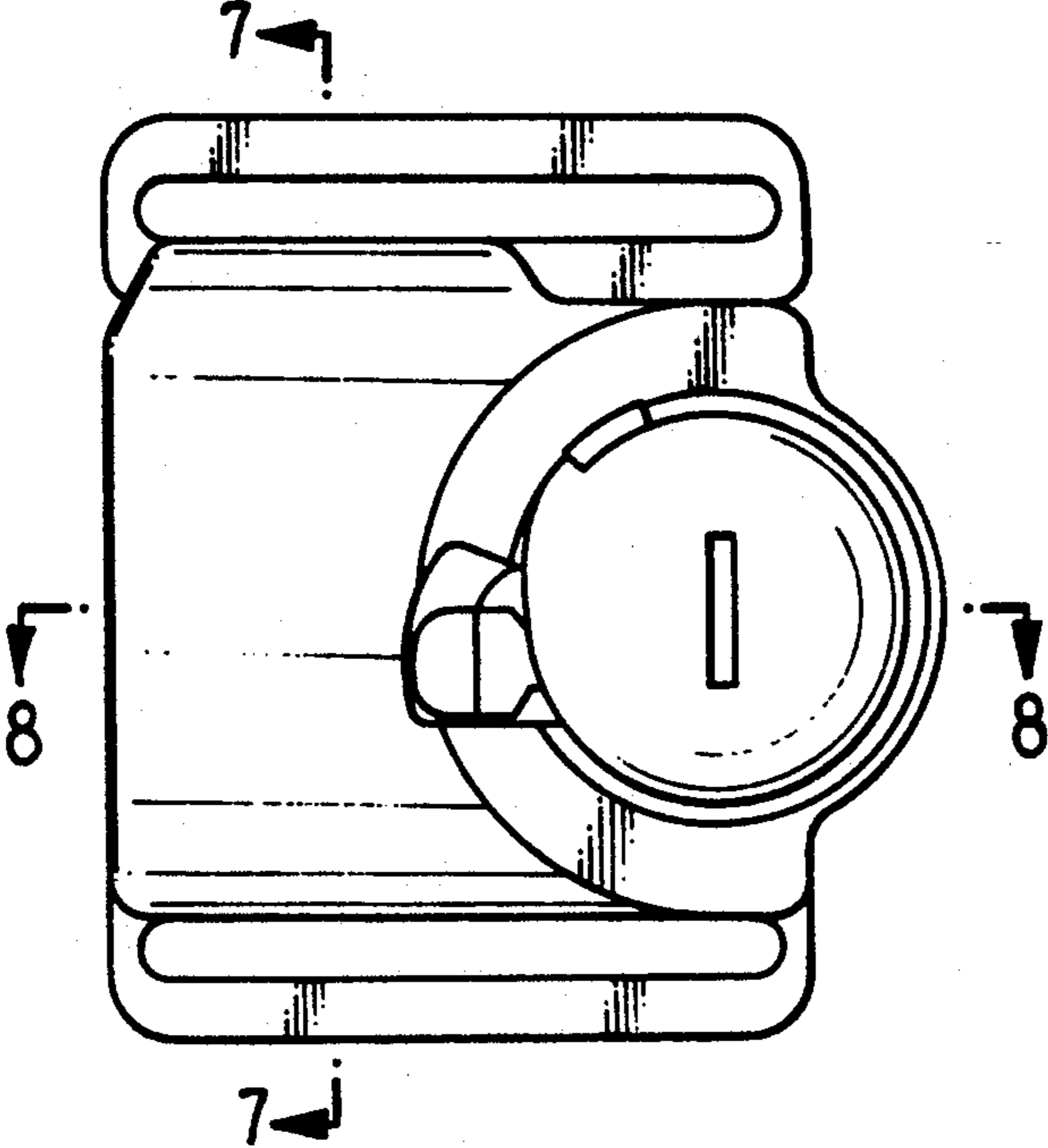


FIG. 3



FIG. 2

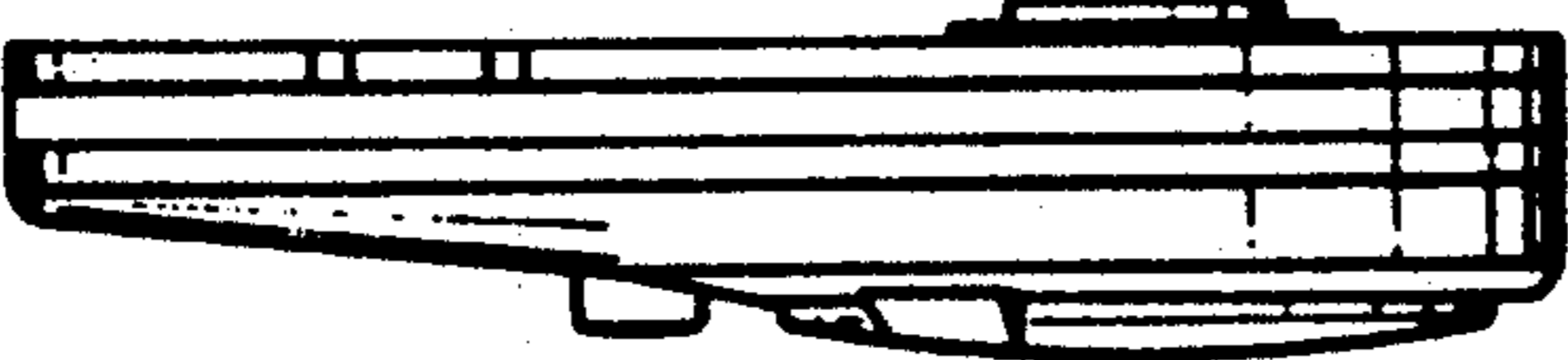


FIG. 4



FIG. 5

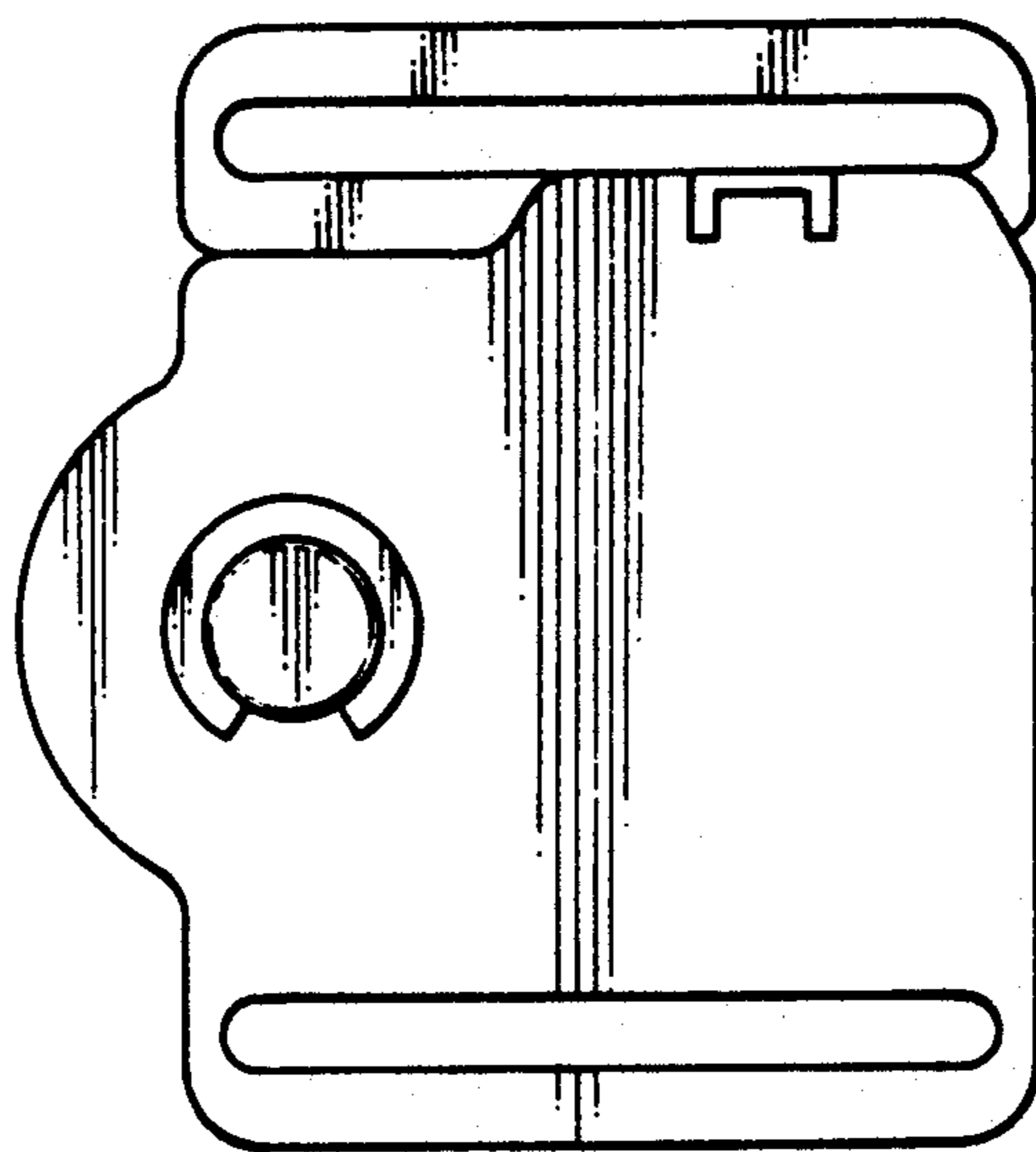


FIG. 6

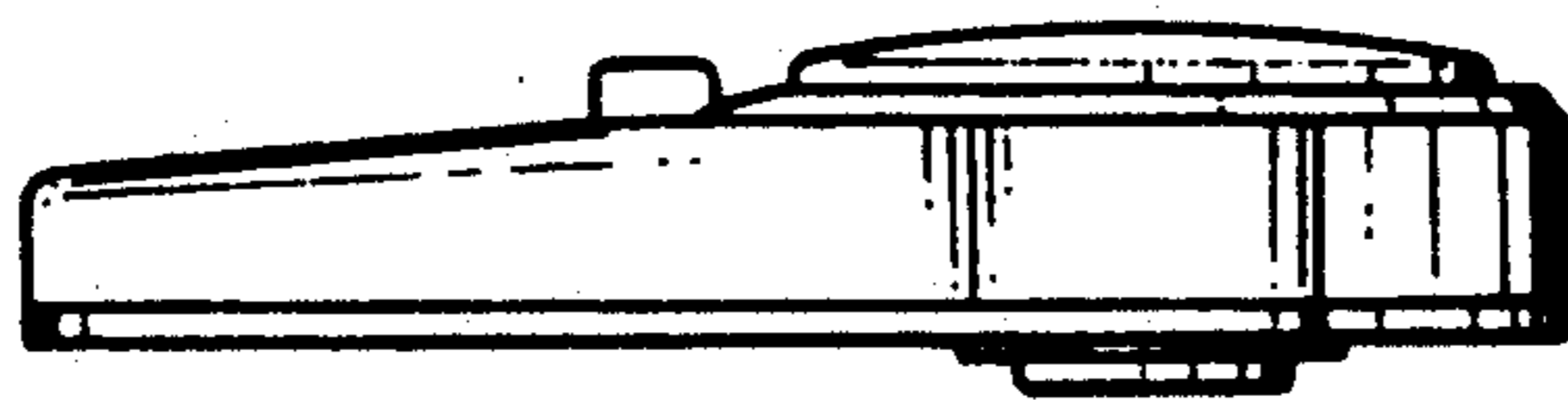


FIG. 7



FIG. 8

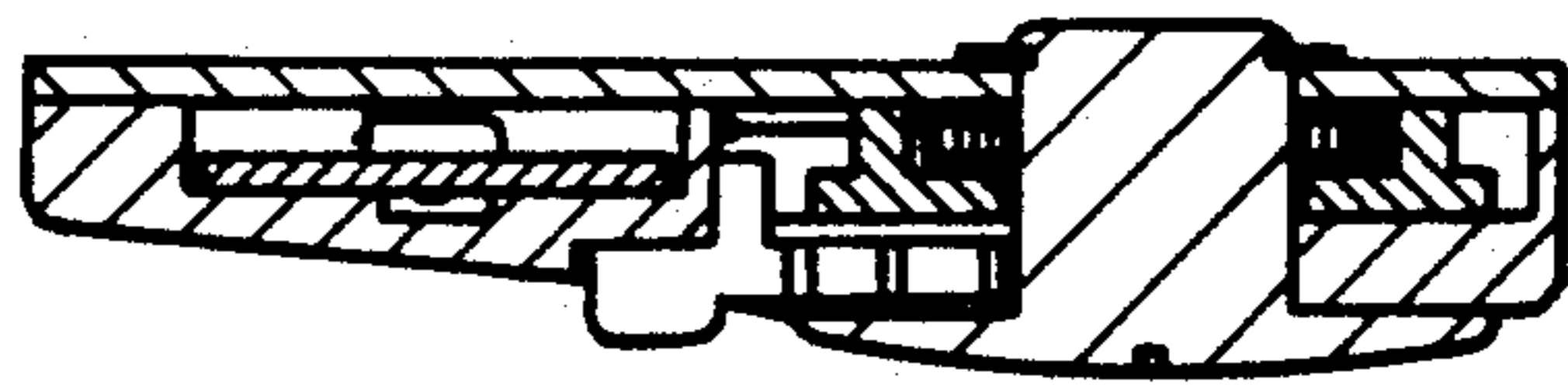


FIG. 9

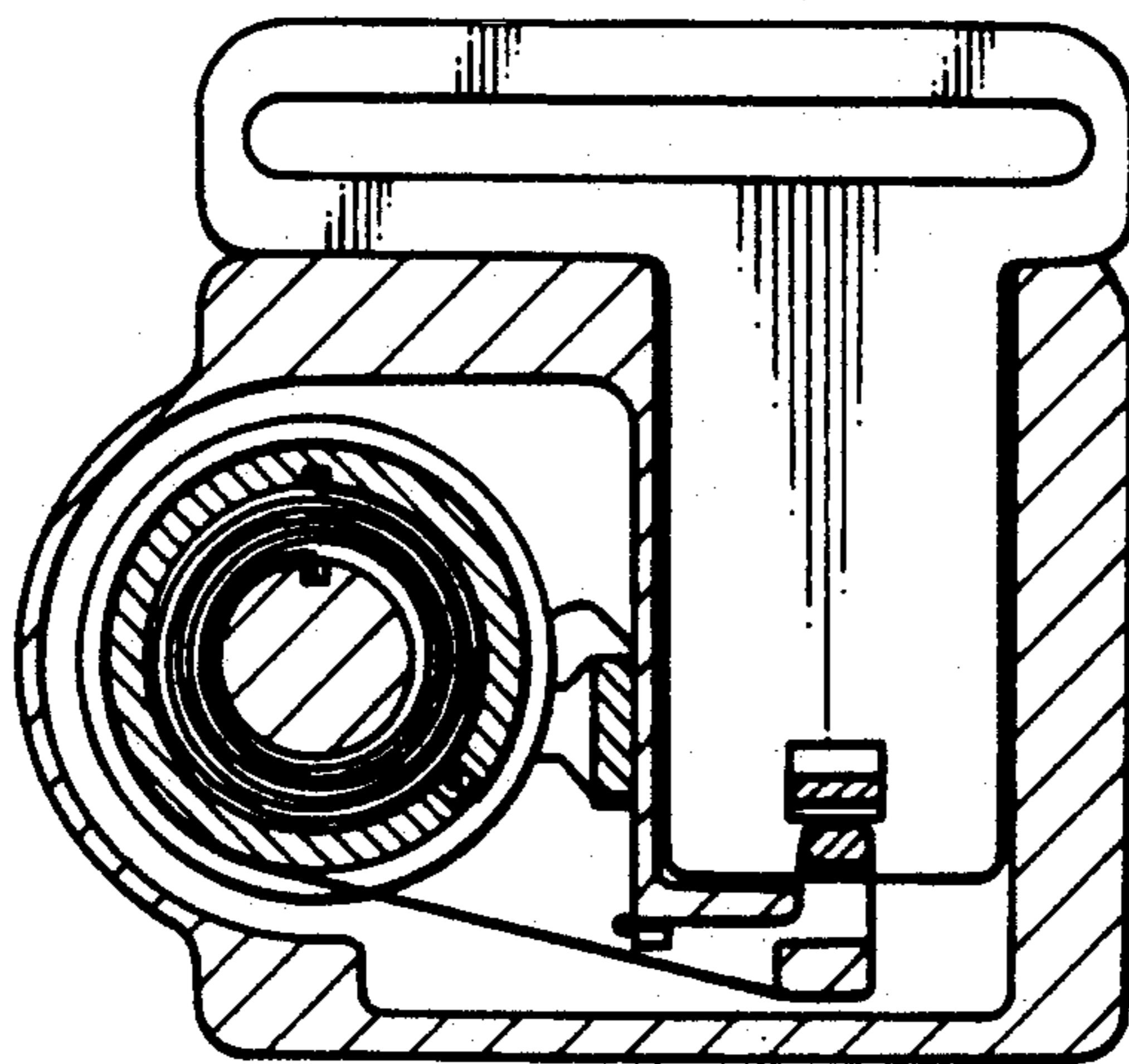


FIG. 10

