



US00D338384S

# United States Patent [19]

[11] Patent Number: **Des. 338,384**

Sawdon

[45] Date of Patent: **\*\* Aug. 17, 1993**

[54] **SEALED POWER CLAMP**

[57] **CLAIM**

[75] Inventor: **Edwin G. Sawdon, St. Clair, Mich.**

The ornamental design for sealed power clamp, as shown and described.

[73] Assignee: **BTM Corporation, Marysville, Mich.**

### DESCRIPTION

[\*\*] Term: **14 Years**

FIG. 1 is a perspective view of a sealed power clamp showing my new design;

[21] Appl. No.: **668,419**

FIG. 2 is a side elevational view of one side of the clamp of FIG. 1 illustrating in phantom alternative positions of the clamp arm;

[22] Filed: **Mar. 11, 1991**

FIG. 3 is a rear elevational view of the clamp of FIG. 1;

[52] U.S. Cl. .... **D8/72**

FIG. 4 is a side elevational view of the opposite side of the clamp of FIG. 1;

[58] Field of Search ..... **D8/72, 74, 71, 61; 269/32**

FIG. 5 is a front elevational view of the clamp of FIG. 1;

### [56] References Cited

#### U.S. PATENT DOCUMENTS

4,458,889	7/1984	McPherson et al. ....	269/32
4,637,597	1/1987	McPherson et al. ....	269/32
4,723,767	2/1988	McPherson et al. ....	269/32
4,887,803	12/1989	Witt .....	269/32

FIG. 6 is a top plan view of the clamp of FIG. 1;

FIG. 7 is a bottom plan view of the clamp of FIG. 1;

FIG. 8 is a perspective view similar to FIG. 1 showing a different species of clamping arm design;

FIG. 9 is a view similar to FIG. 1 showing a further species wherein the clamp has two clamping arms, each being of the type illustrated in FIG. 1;

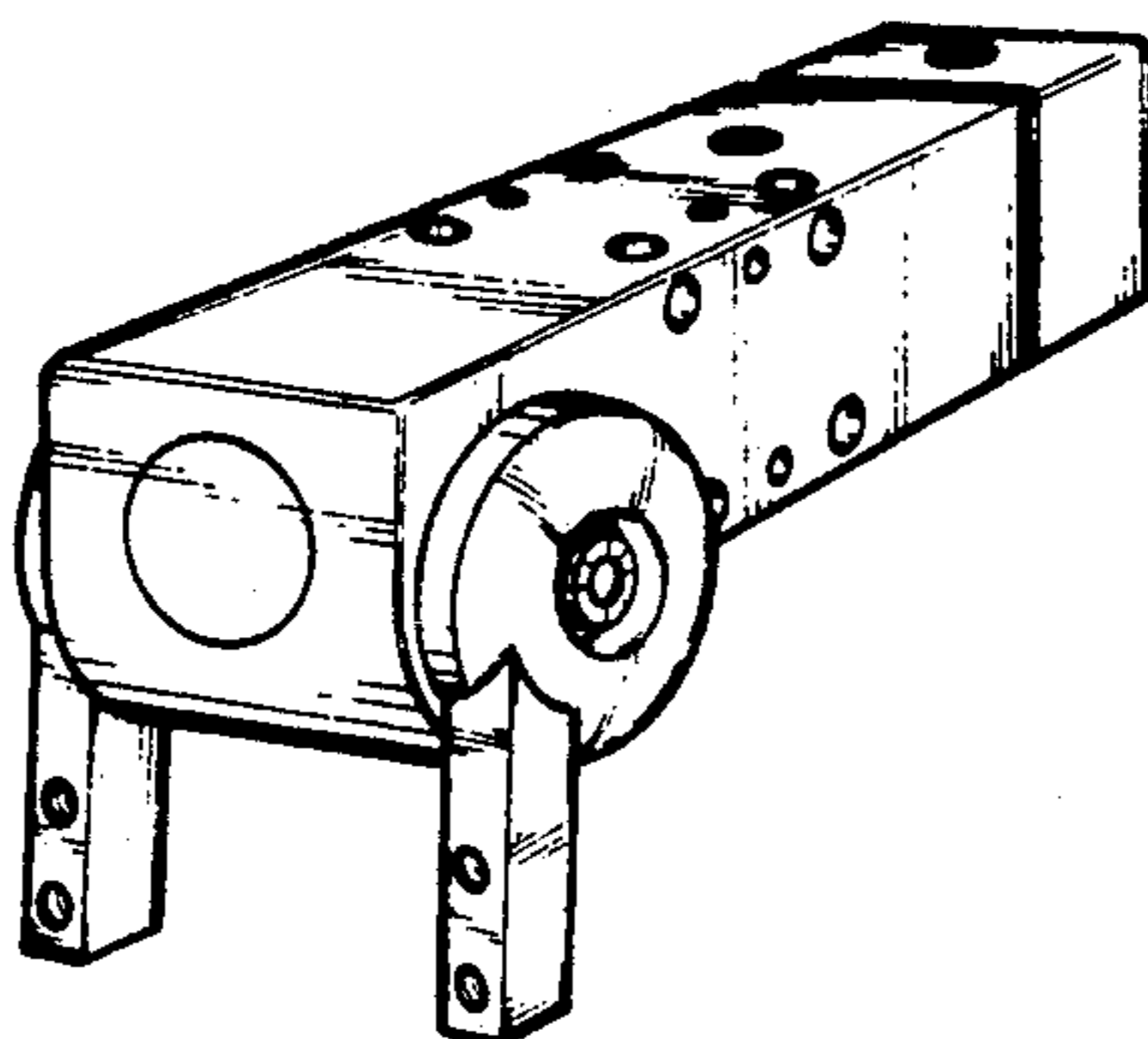
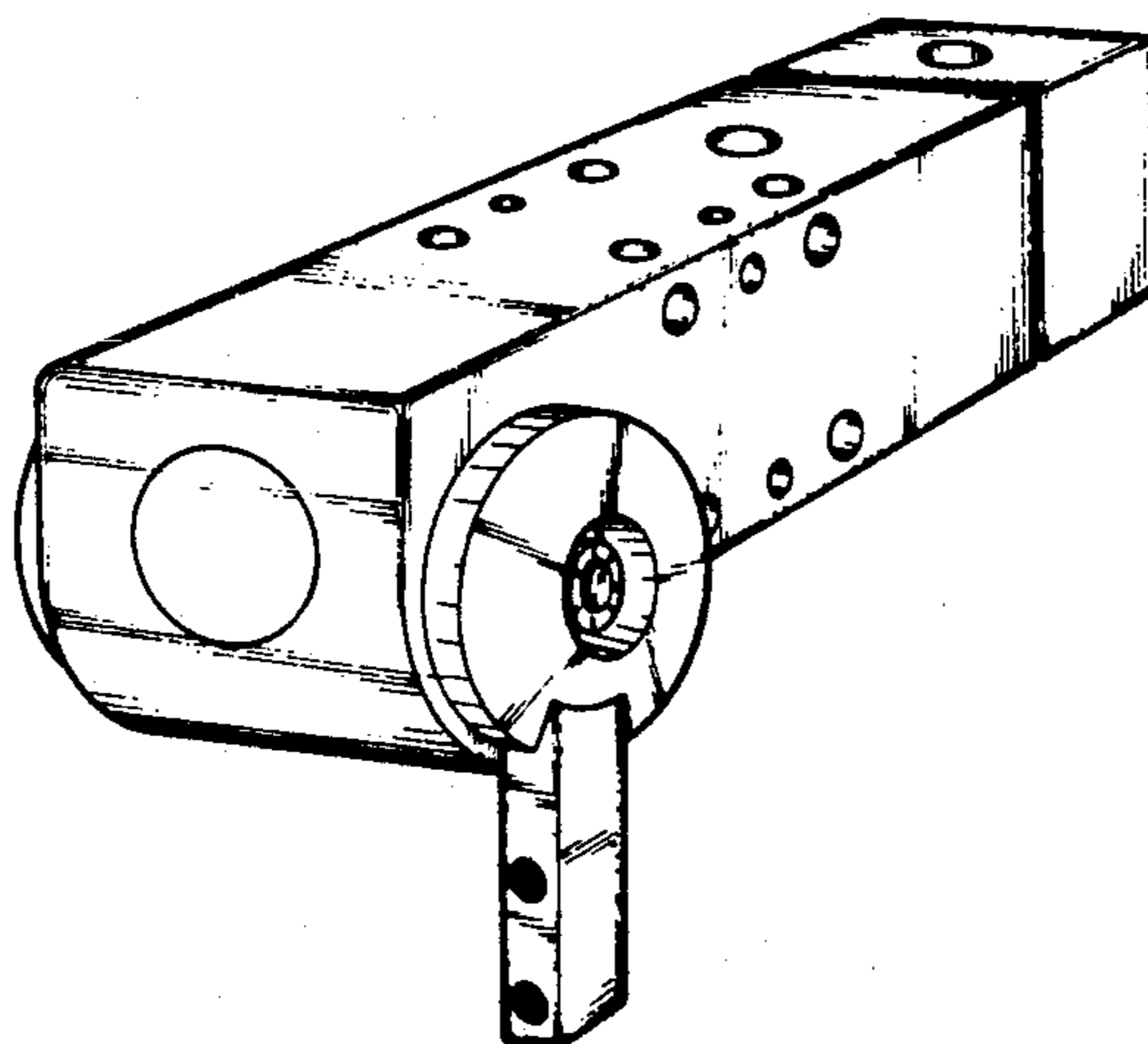
FIG. 10 is a view similar to FIG. 9 showing another species wherein the clamp has two clamping arms of the type illustrated in FIG. 8; and,

FIG. 11 is a perspective view showing a further species similar to that of FIG. 1 but having the clamping arm on the opposite side of the body.

*Primary Examiner*—Alan P. Douglas

*Assistant Examiner*—J. H. Musgrove

*Attorney, Agent, or Firm*—Harness, Dickey & Pierce



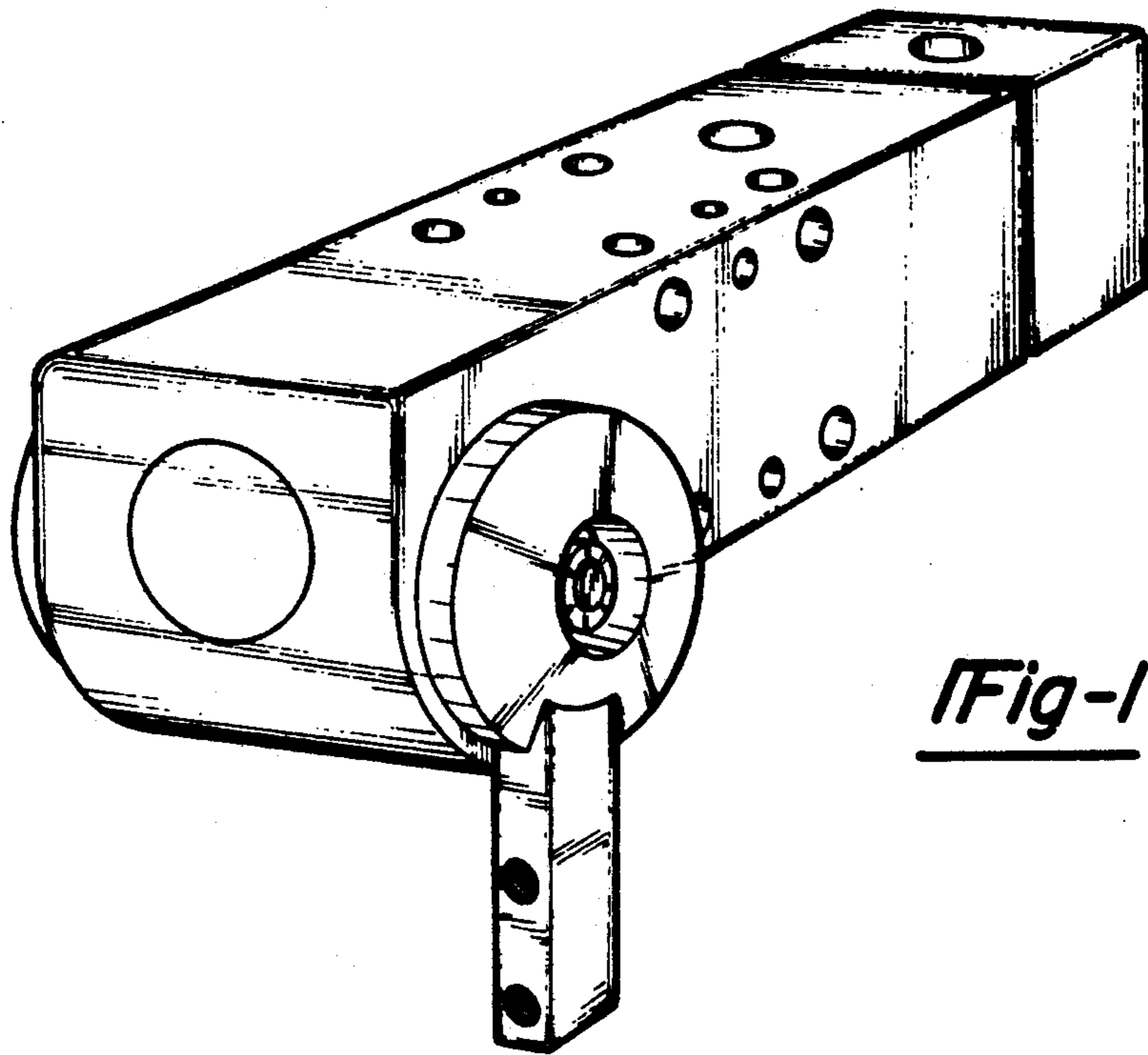


Fig-1

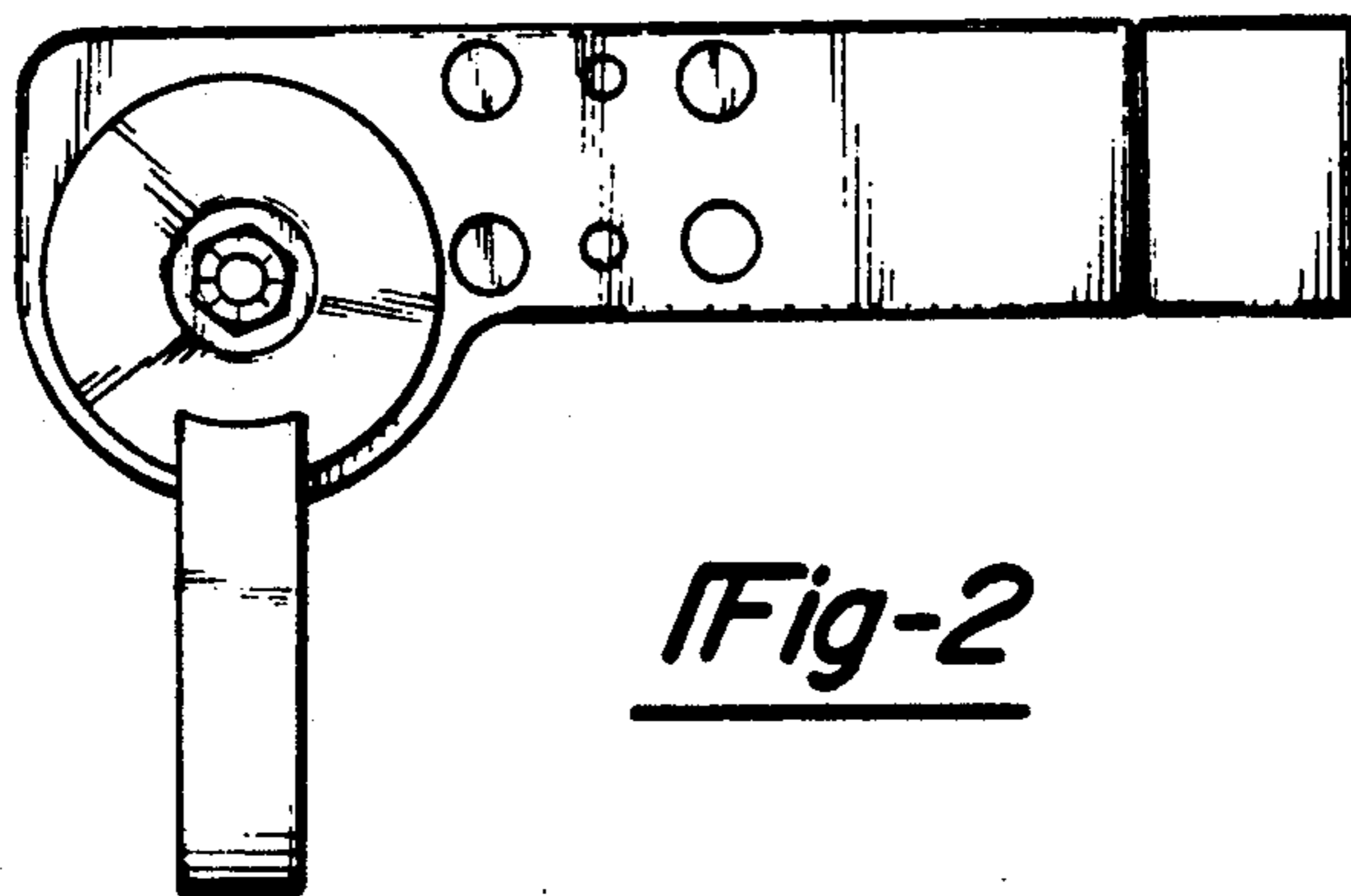


Fig-2

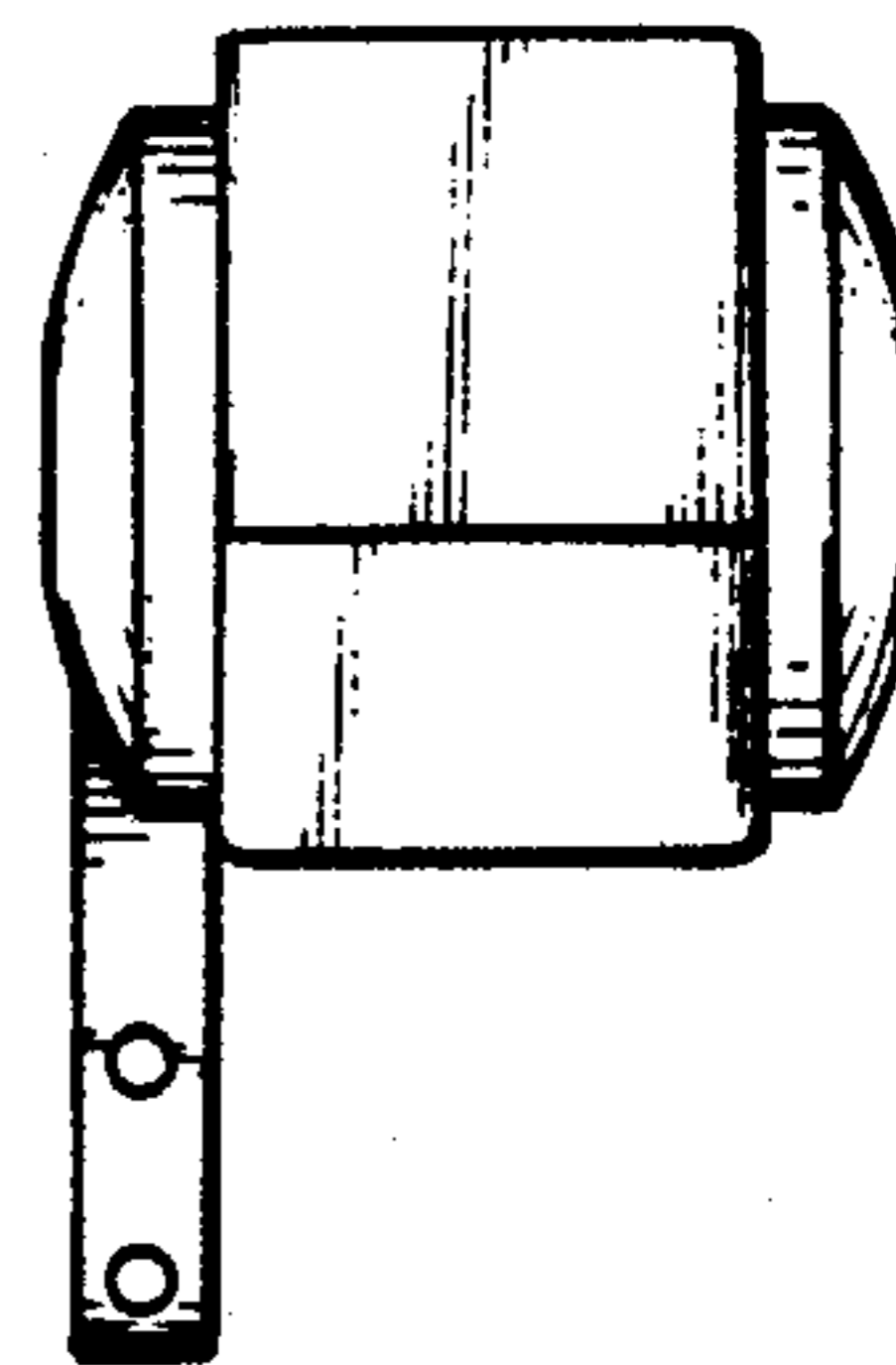


Fig-3

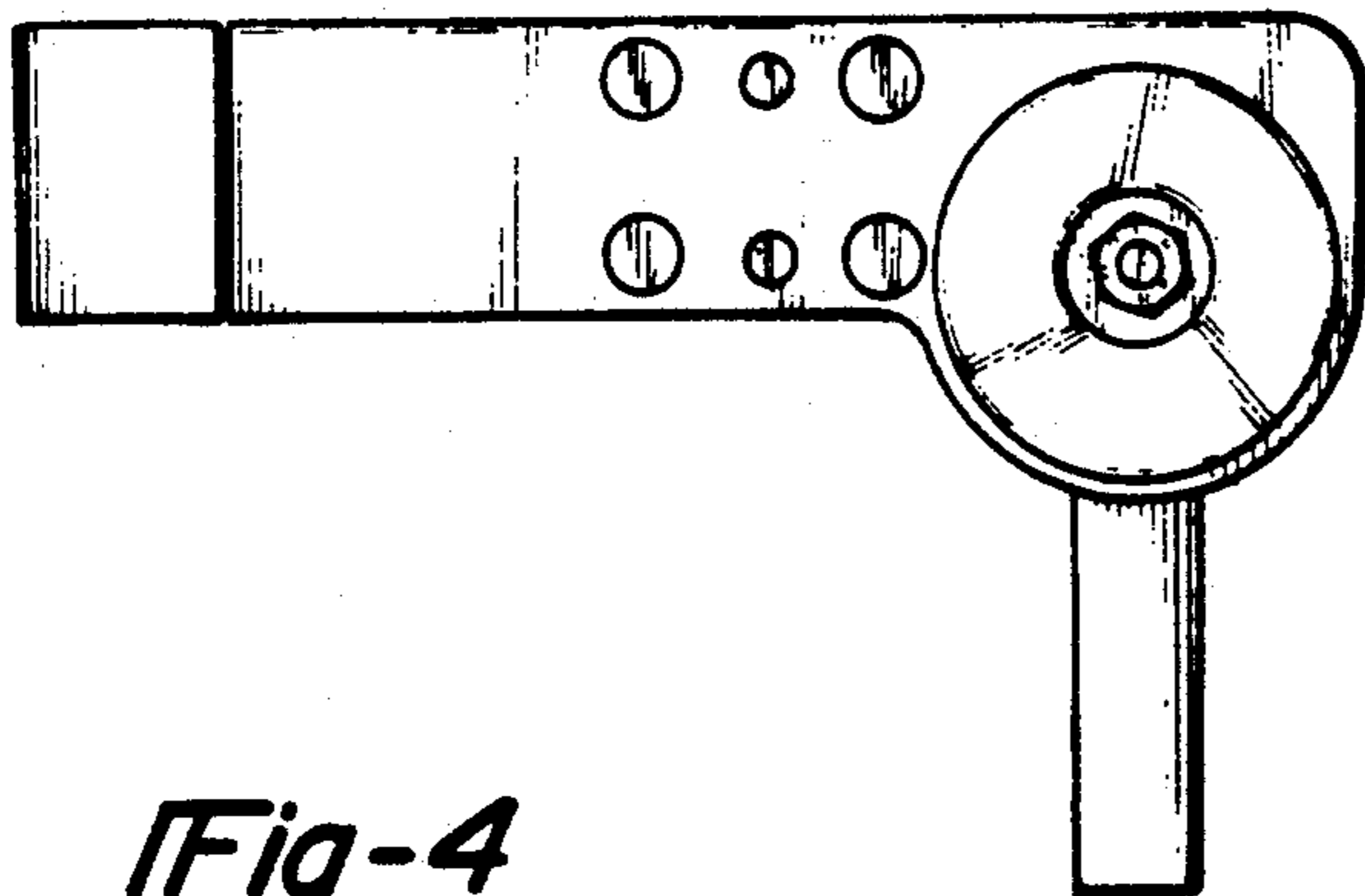


Fig-4

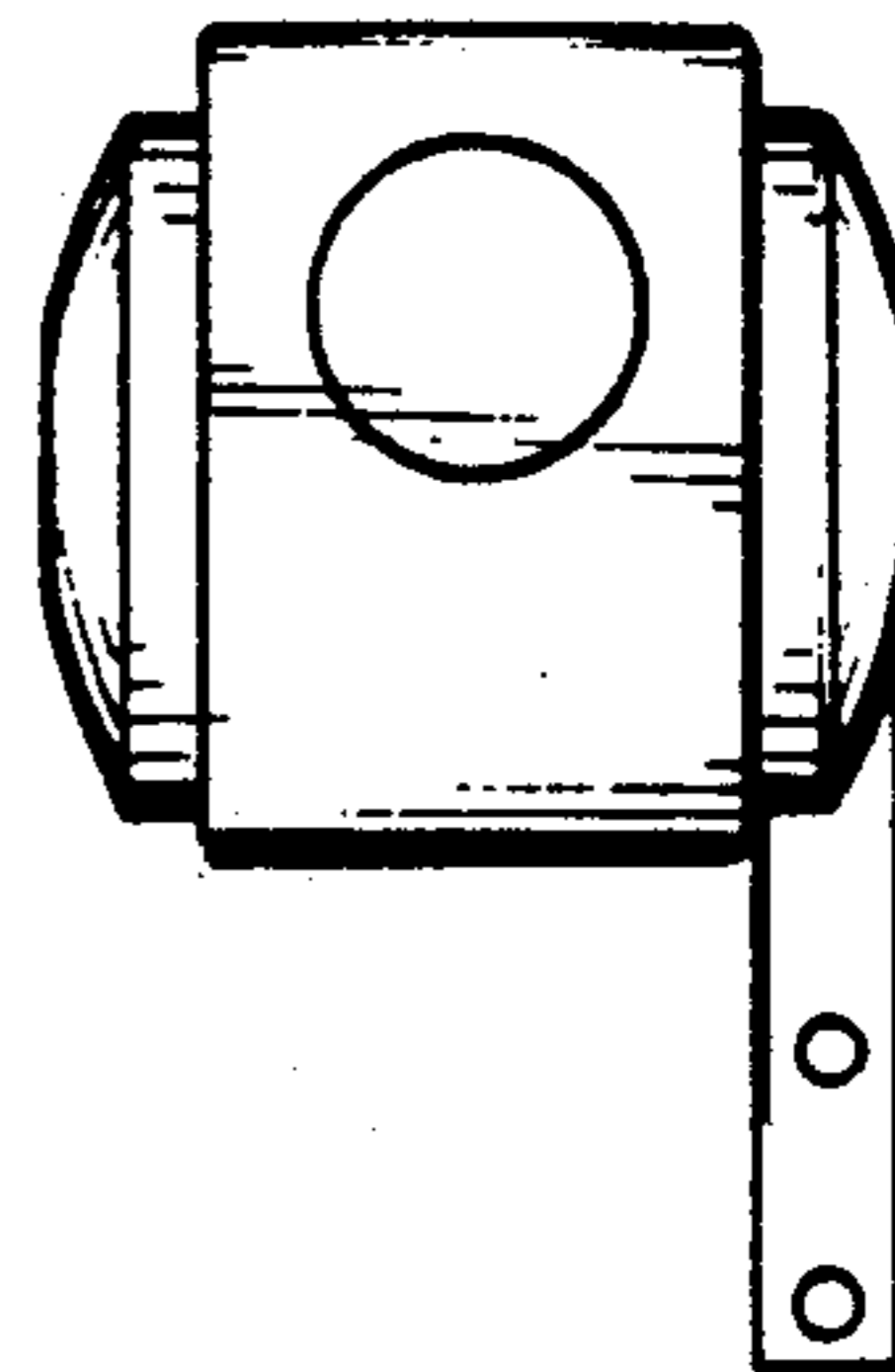


Fig-5

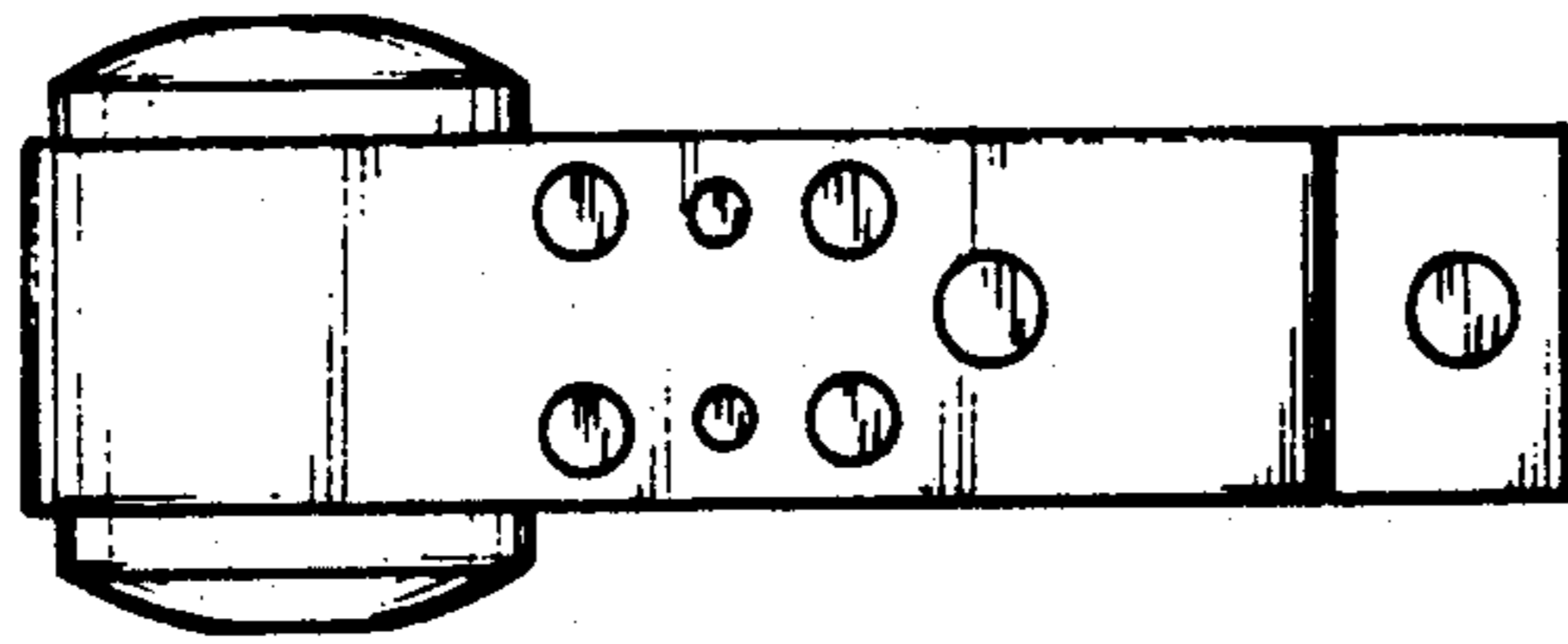


Fig-6

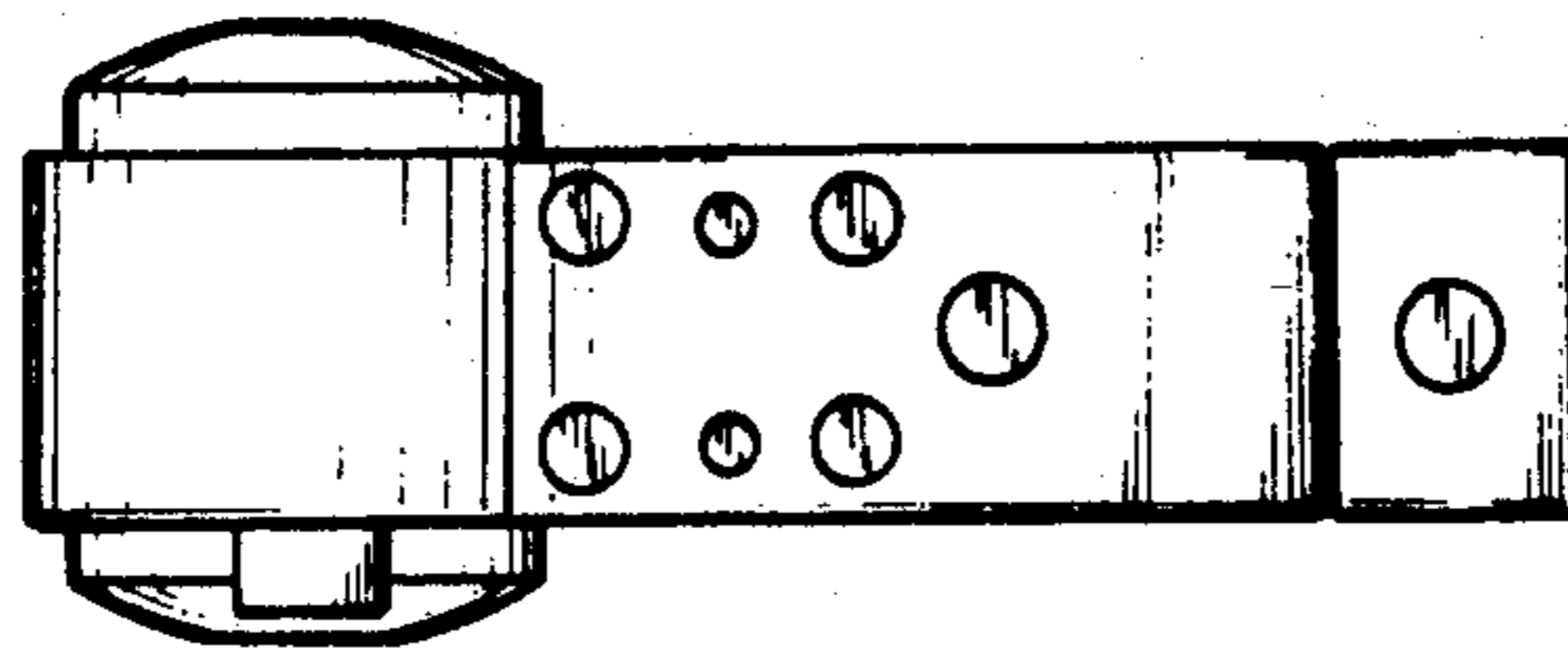


Fig-7

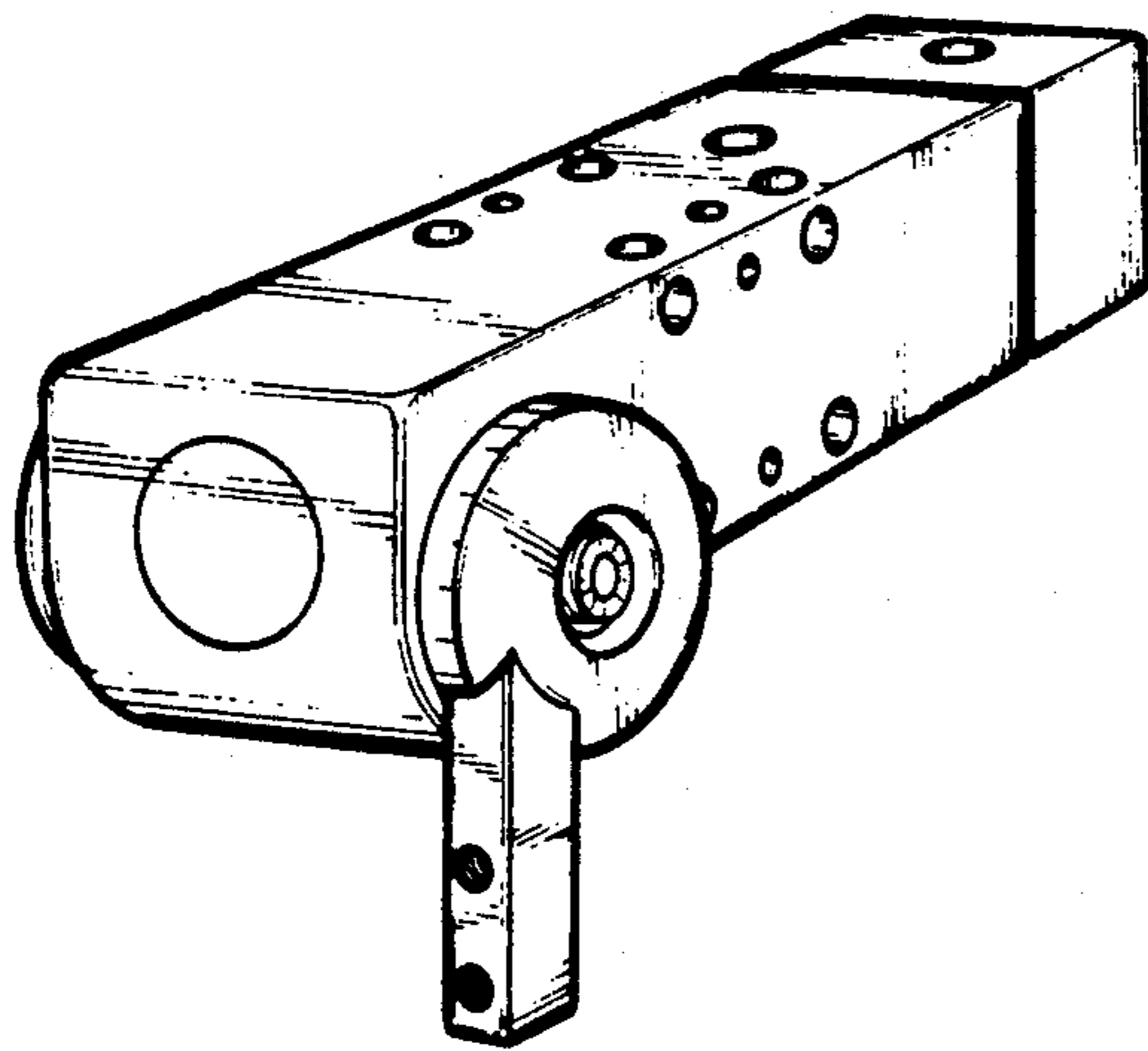


Fig-8

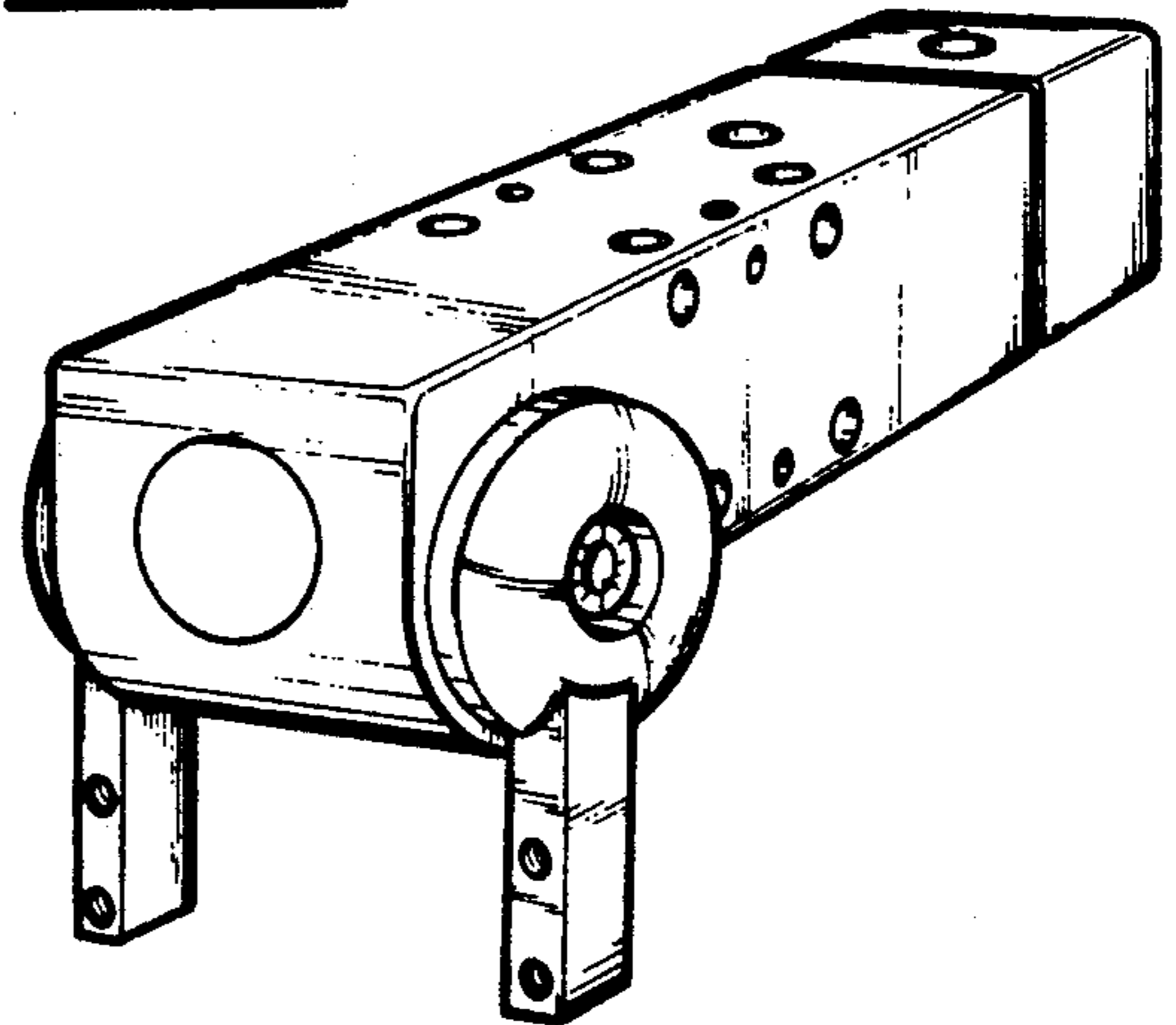


Fig-9

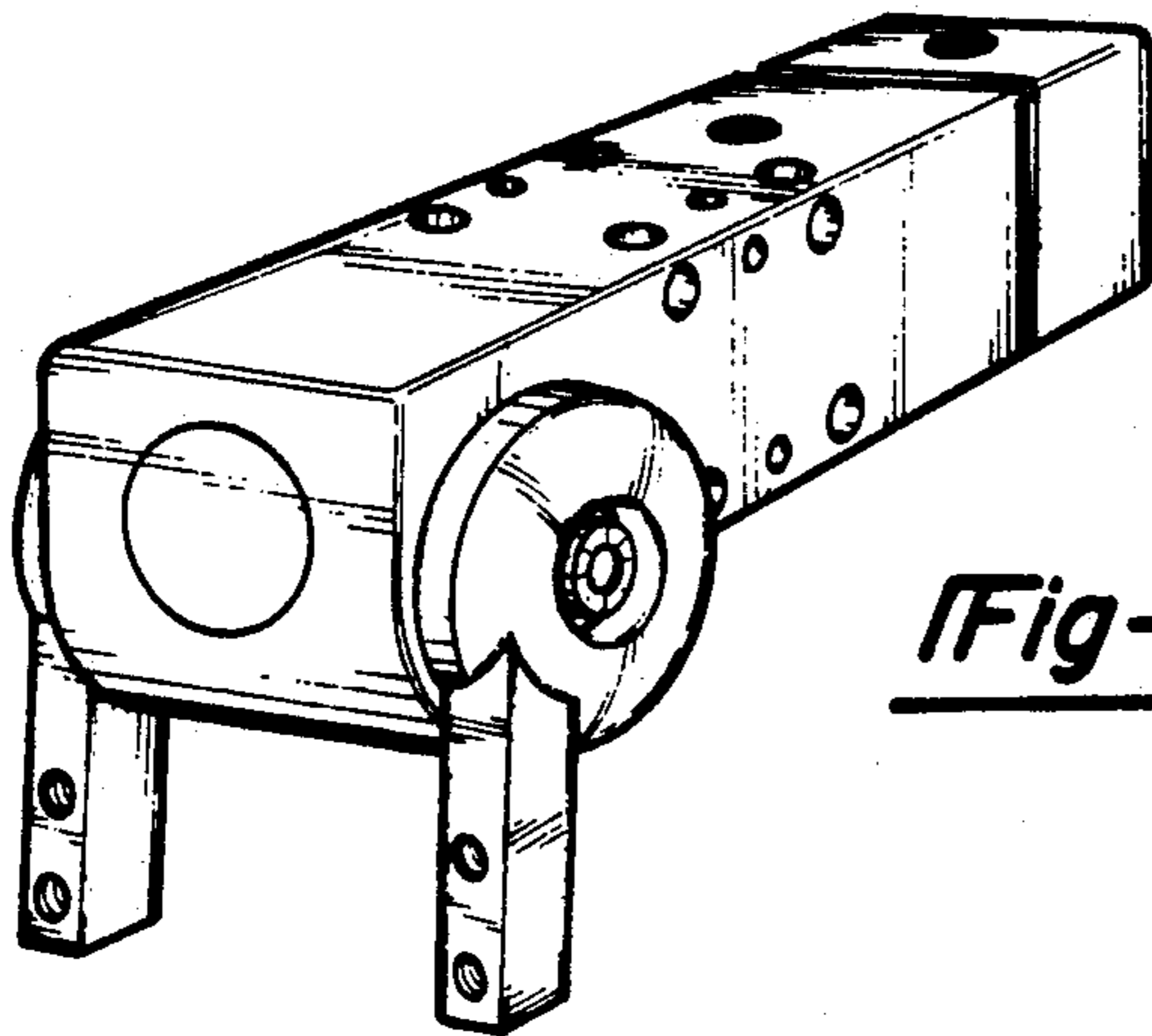


Fig-10

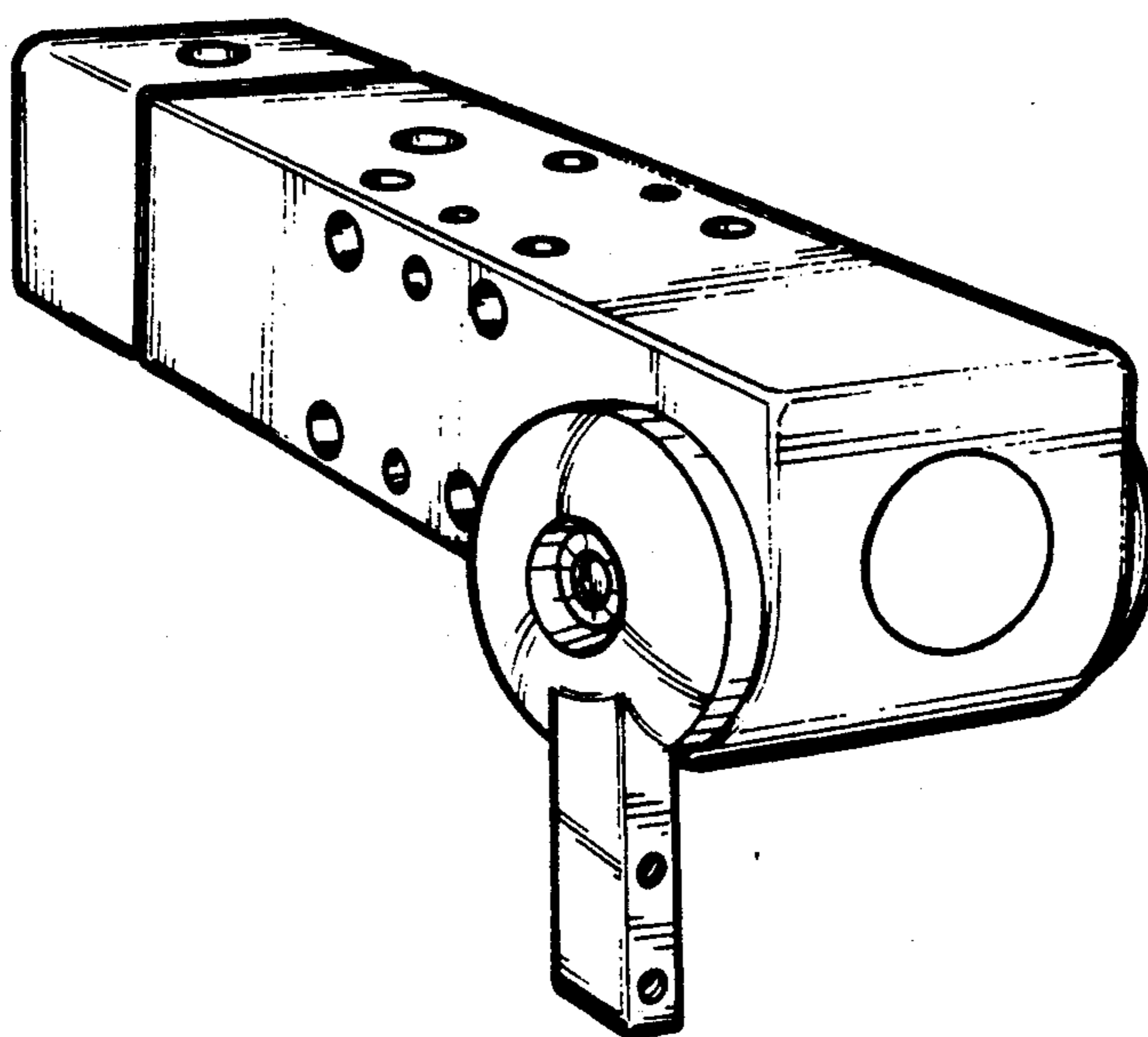


Fig-11