



US00D338382S

United States Patent [19]

[11] Patent Number: **Des. 338,382**

Fukuda et al.

[45] Date of Patent: **** Aug. 17, 1993**

[54] **PORTABLE ELECTRIC BELT SANDER**

D. 321,464 11/1991 Mikiya D8/68
D. 321,465 11/1991 Mikiya D8/68

[75] Inventors: **Kenji Fukuda, Tokyo; Shinichi Miyamoto, Kyoto, both of Japan**

Primary Examiner—Alan P. Douglas
Assistant Examiner—J. H. Musgrove
Attorney, Agent, or Firm—Jacobson, Price, Holman & Stern

[73] Assignees: **Nitto Kohko Co., Ltd., Tokyo; Japan Storage Battery Co., Ltd., Kyoto, both of Japan**

[**] Term: **14 Years**

[57] **CLAIM**

The ornamental design for a portable electric belt sander, as shown and described.

[21] Appl. No.: **784,480**

[22] Filed: **Nov. 1, 1991**

DESCRIPTION

[52] U.S. Cl. **D8/62**

FIG. 1 is a perspective view of a portable electric belt sander showing our new design;
FIG. 2 is a top view thereof;
FIG. 3 is a bottom view thereof;
FIG. 4 is a left side view thereof;
FIG. 5 is a rear view thereof;
FIG. 6 is a front view thereof; and,
FIG. 7 is a right side view thereof.

[58] Field of Search **D8/61, 62; 81/57, 57.11; 51/170 EB**

[56] **References Cited**

U.S. PATENT DOCUMENTS

D. 298,508 11/1988 Fukuda et al. D8/68
D. 301,966 7/1989 Currie D8/68

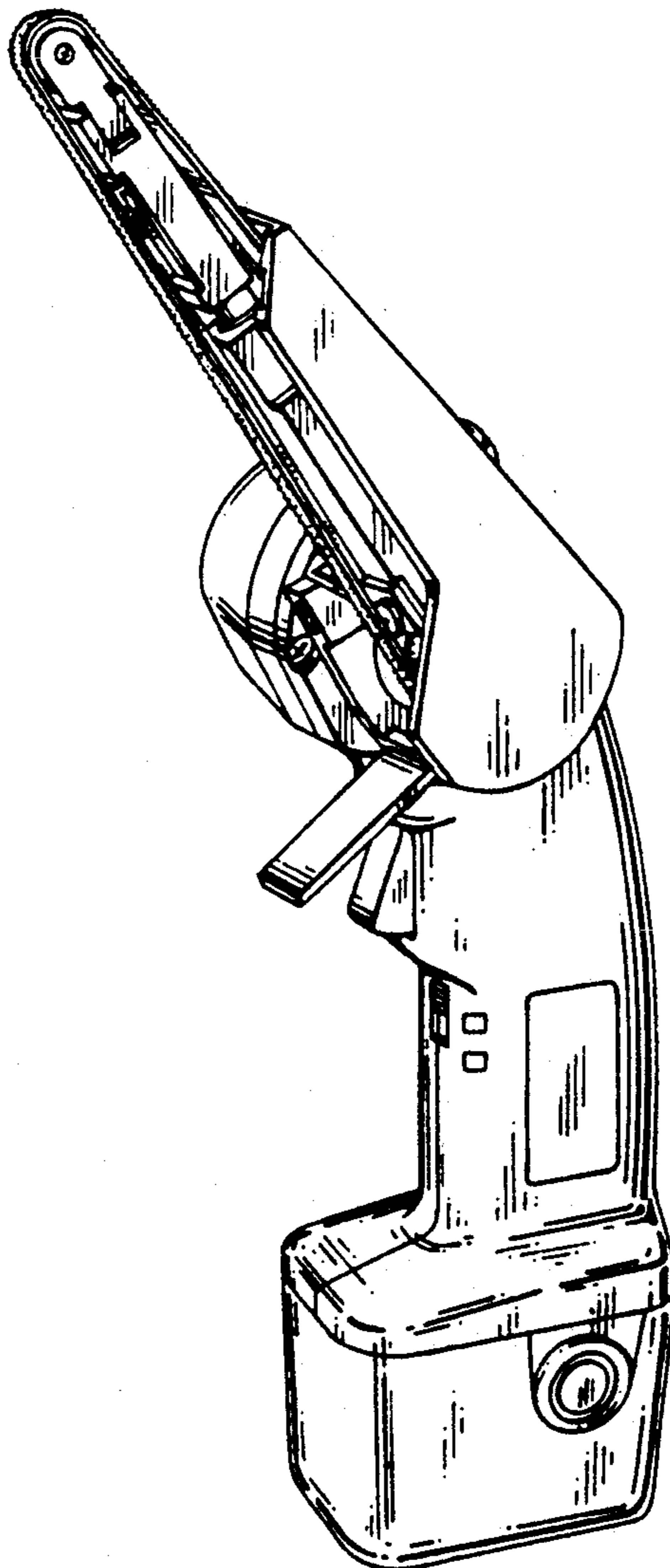
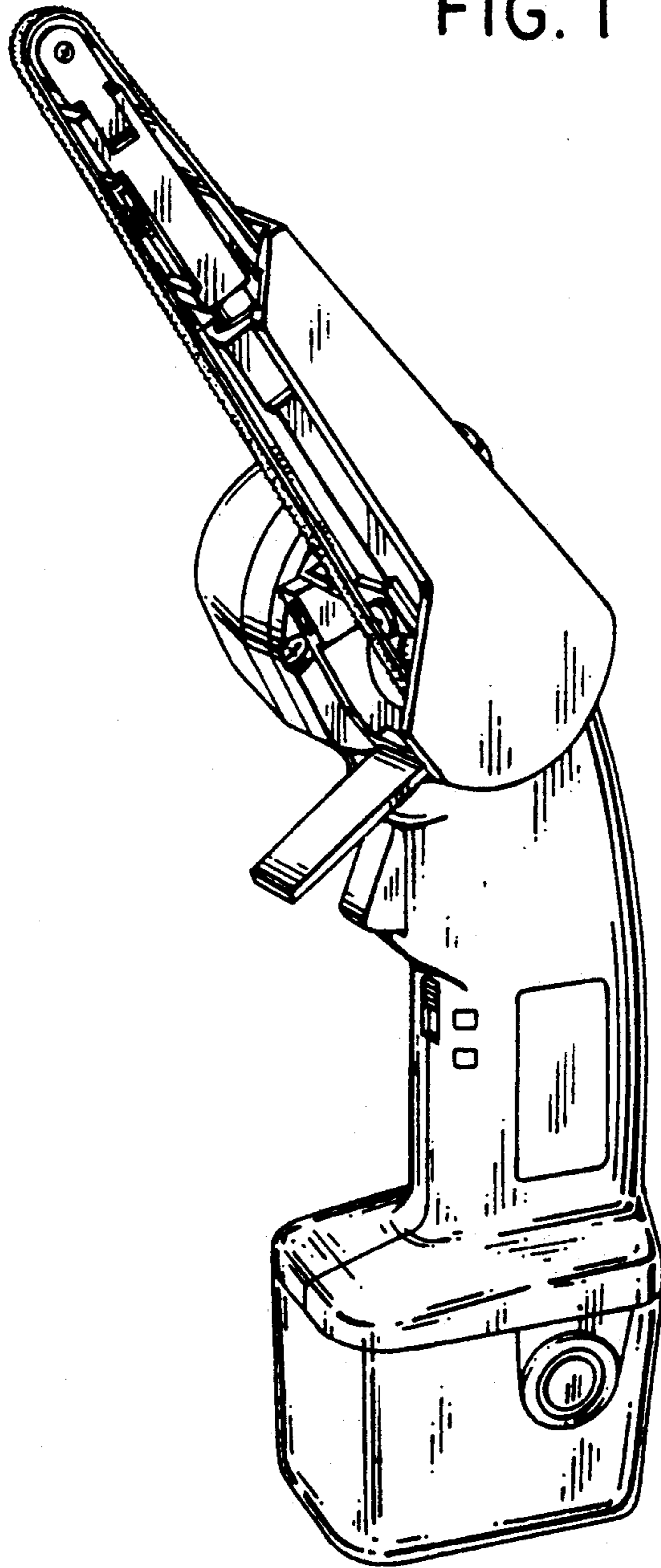


FIG. 1



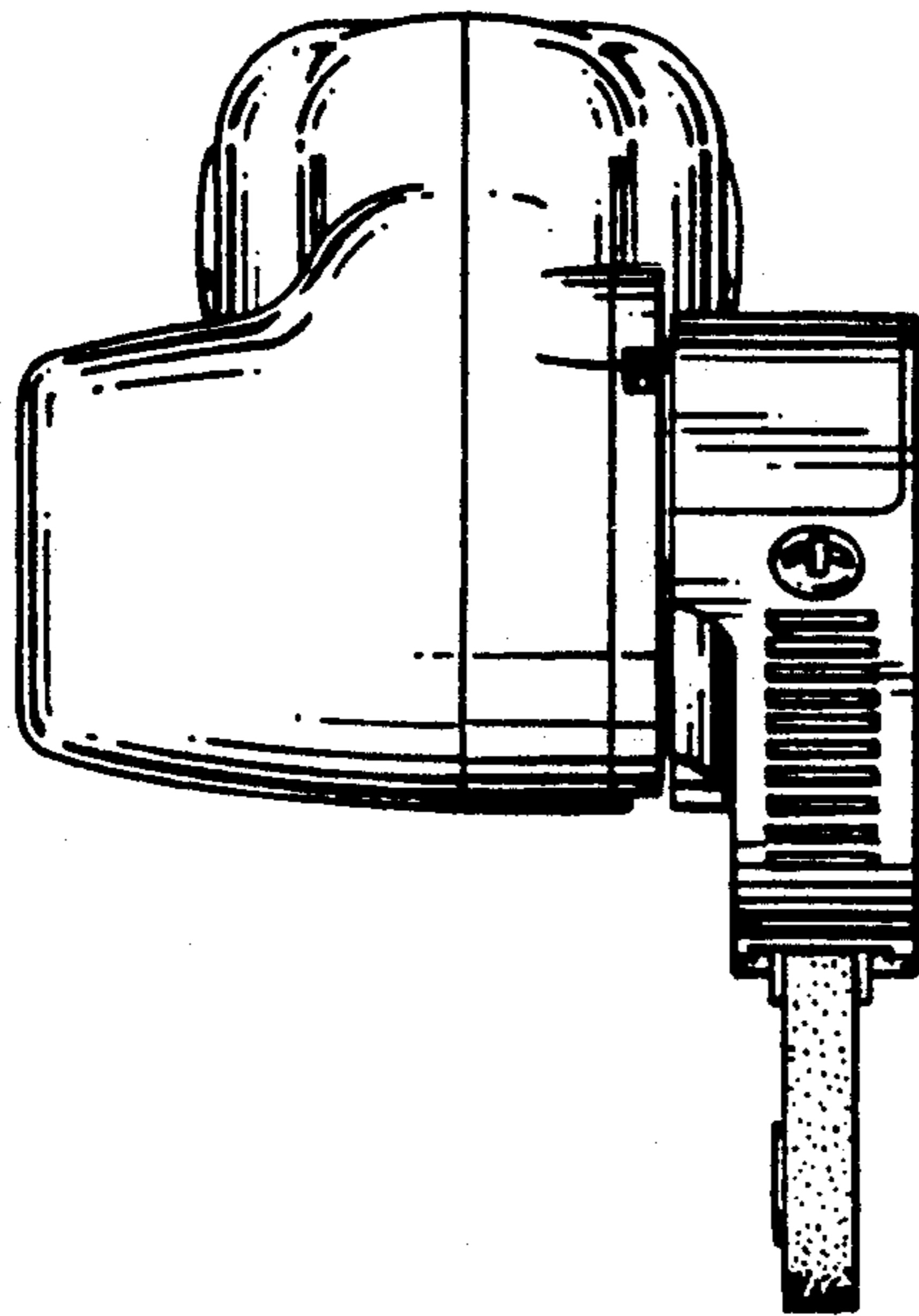


FIG. 2

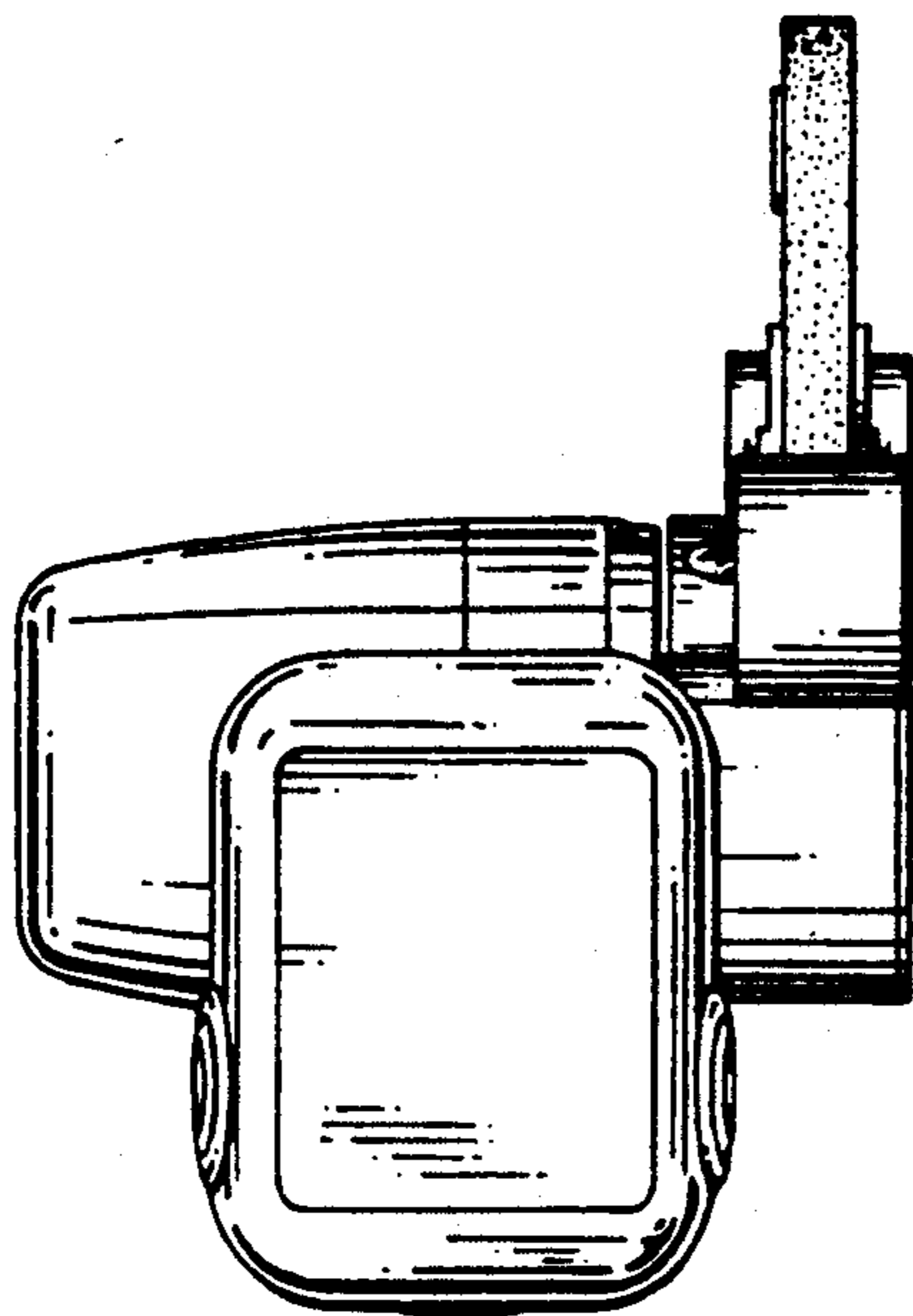


FIG. 3

FIG. 4

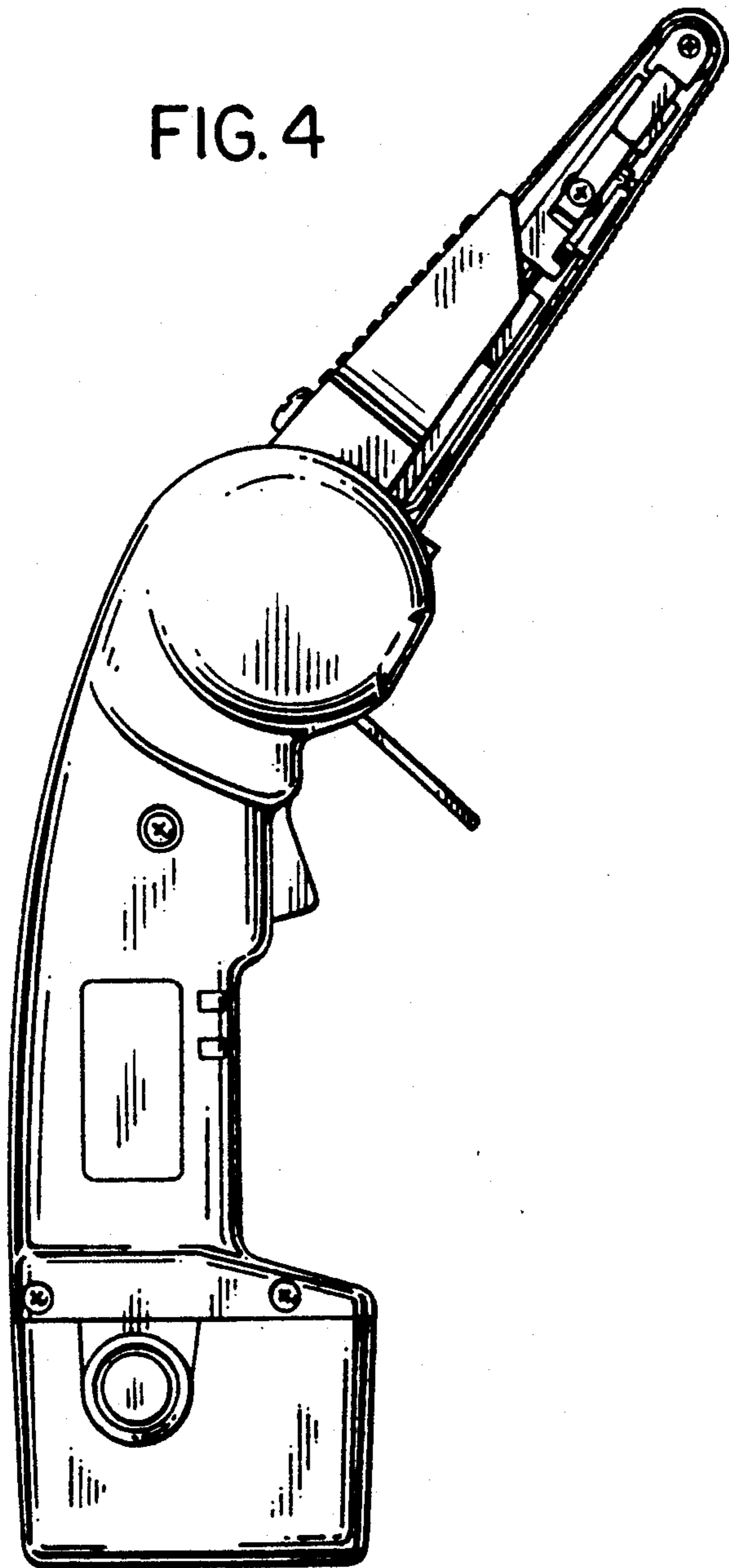


FIG. 5

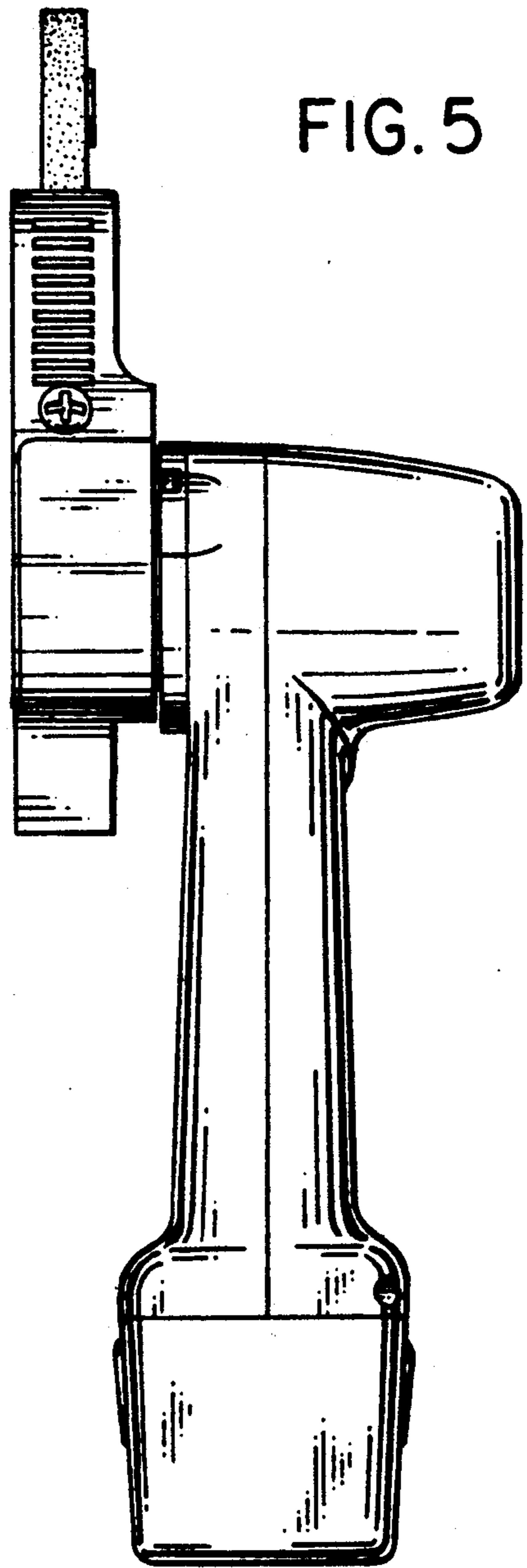


FIG. 6

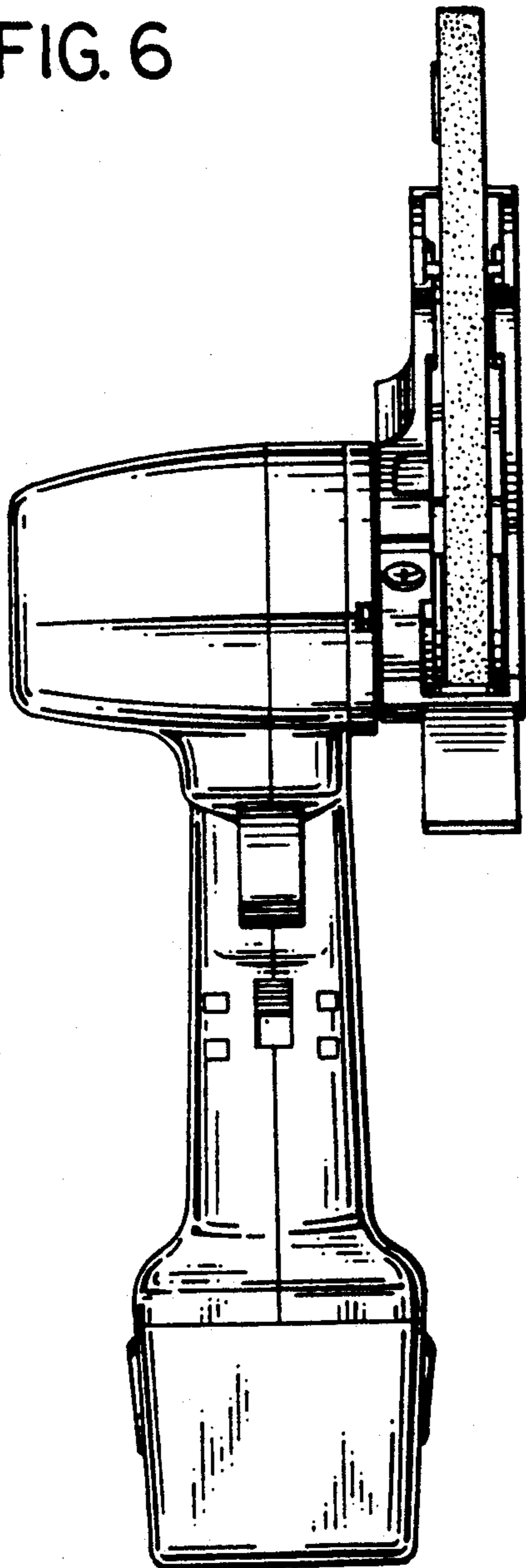


FIG. 7

