



US00D338374S

United States Patent [19]

[11] Patent Number: **Des. 338,374**

Jacobson

[45] Date of Patent: **** Aug. 17, 1993**

[54] FOOD AND BEVERAGE TRAY

[76] Inventor: **Loren N. Jacobson**, 425 W. Central, Missoula, Mont. 59801

[**] Term: **14 Years**

[21] Appl. No.: **782,285**

[22] Filed: **Oct. 21, 1991**

[52] U.S. Cl. **D7/553; D7/550**

[58] Field of Search **D7/500, 502, 541, 543, D7/545, 546, 549, 550, 553, 554, 555, 586, 538, 552, 551, 507; 220/608, 914, 575, 737, 556, 367, 369, 373**

[56] References Cited

U.S. PATENT DOCUMENTS

Re. 27,688	6/1973	White et al.	220/575 X
D. 150,666	8/1948	Zachary	220/575 X
D. 157,259	2/1950	Honig	D4/3
D. 172,245	5/1954	Netzler	D7/550
D. 183,165	7/1958	Fredrickson	D44/10
D. 204,999	6/1966	Edwards	D7/554 X
D. 206,390	12/1966	Jaskulek	D7/554
D. 206,449	12/1966	Terry	D7/554 X
D. 227,851	7/1973	Nowland et al.	D7/554
D. 252,828	9/1979	Davidson	D7/546 X
D. 278,501	4/1985	Wolff	D7/546
D. 284,824	7/1986	Marshall	D7/554
D. 289,247	4/1987	Wang	D7/554 X
D. 290,919	7/1987	Beute	D7/38
D. 296,404	6/1988	Lowenbein	D7/38
D. 316,800	5/1991	Wertheim	D7/549
D. 331,860	12/1992	Stanfield	D7/549
421,264	2/1890	Gilbbons	220/575
2,375,643	5/1945	Germanotta	311/17
3,162,344	12/1964	Sabol	224/43
3,504,832	4/1970	Corvetti	224/48
3,955,672	5/1976	Brundage	206/72
4,219,144	8/1980	Hagelberg	206/564
4,461,396	7/1984	Harper	220/23.83
4,516,685	5/1985	French	220/23.83
4,732,274	3/1988	Bouton	206/561
4,744,597	5/1988	Bauman et al.	D7/549 X
4,966,297	10/1990	Doty	220/23.83
4,989,742	2/1991	Powell	D7/549 X
4,991,713	2/1991	Phillips	206/218
5,114,038	5/1992	Laumann geb. Quensen	220/575

FOREIGN PATENT DOCUMENTS

1126304 9/1968 United Kingdom .

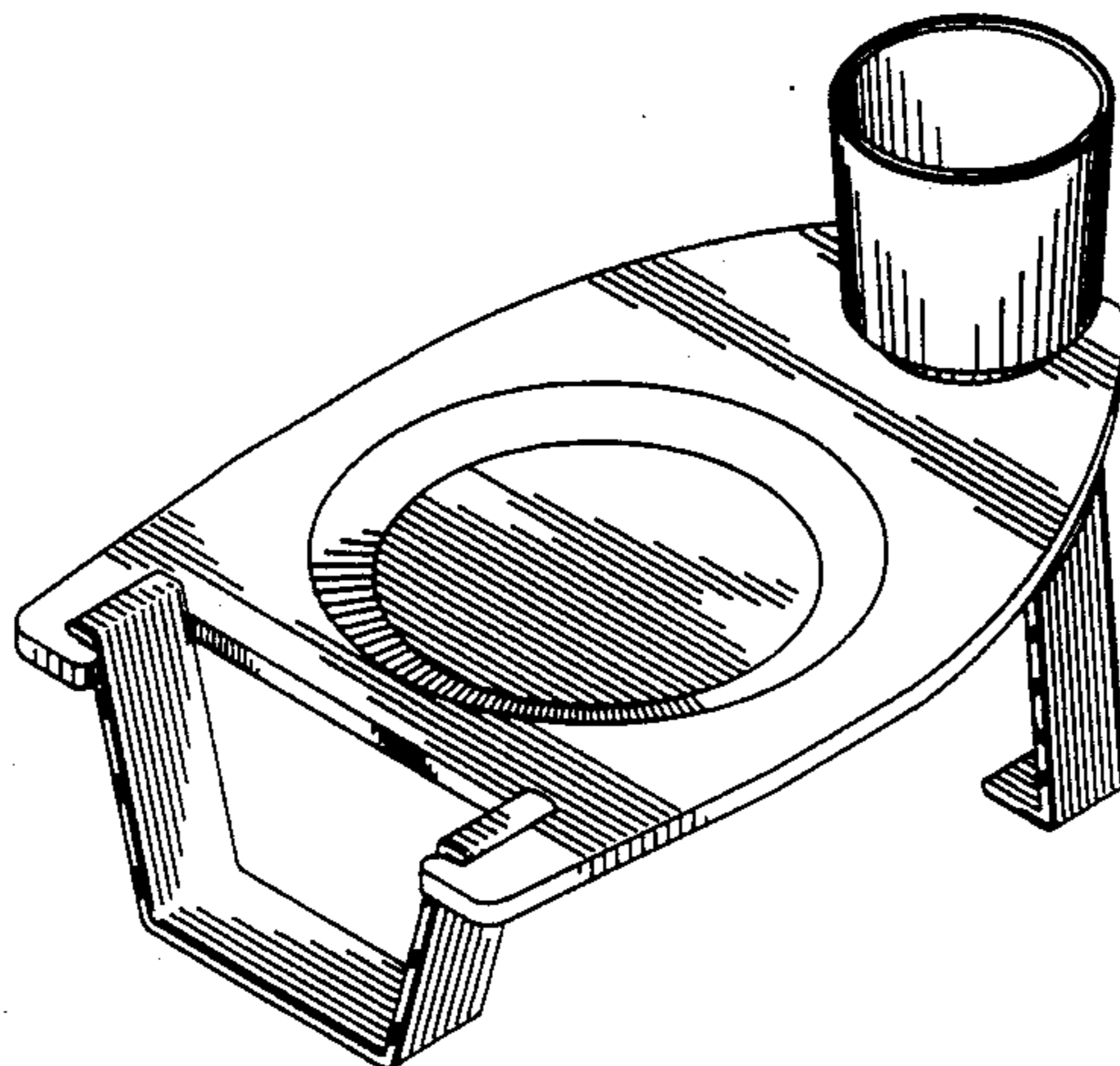
Primary Examiner—Alan P. Douglas
Assistant Examiner—M. N. Pandozzi
Attorney, Agent, or Firm—Wells, St. John, Roberts, Gregory & Matkin

[57] CLAIM

The ornamental design for a food and beverage tray, as shown and described.

DESCRIPTION

FIG. 1 is a top perspective view of a food and beverage tray showing my new design;
 FIG. 2 is a right hand side elevation view thereof;
 FIG. 3 is a left hand side elevation view thereof;
 FIG. 4 is a front end elevation view thereof;
 FIG. 5 is a rearward end elevation view thereof;
 FIG. 6 is a top plan view thereof;
 FIG. 7 is a bottom plan view thereof;
 FIG. 8 is an exploded perspective view thereof;
 FIG. 9 is an exploded perspective view of a food and beverage tray with the cup removed for convenience of illustration;
 FIG. 10 is a perspective view thereof;
 FIG. 11 is a top plan view thereof;
 FIG. 12 is a bottom plan view thereof;
 FIG. 13 is a longitudinal sectional view taken along the line 13—13 in FIG. 11;
 FIG. 14 is a transverse cross sectional view thereof taken along line 14—14 in FIG. 11;
 FIG. 15 is a transverse cross sectional view thereof taken along line 15—15 of FIG. 11;
 FIG. 16 is a top perspective view of a food and beverage tray with the cup and legs removed for convenience of illustration;
 FIG. 17 is a top plan view thereof;
 FIG. 18 is a bottom plan view thereof with the rear leg remaining;
 FIG. 19 is a right side elevational view thereof;
 FIG. 20 is a left side elevational view thereof;
 FIG. 21 is a front end elevational view thereof;
 FIG. 22 is a rear elevational view thereof;
 FIG. 23 is a perspective view of a food and beverage



tray with the tray, cup, and rear leg omitted for convenience of illustration;

FIG. 24 is a bottom plan view thereof;

FIG. 25 is a left side elevational view thereof;

FIG. 26 is a rear elevational view thereof;

FIG. 27 is a right side elevational view thereof;

FIG. 28 is a front elevational view thereof;

FIG. 29 is a top plan view thereof;

FIG. 30 is a top, front perspective view of a food and beverage tray with the tray, cup and front legs omitted for convenience of illustration;

FIG. 31 is a left side elevational view thereof;

FIG. 32 is a bottom plan view thereof;

FIG. 33 is a rear elevational view thereof;

FIG. 34 is a top plan view thereof;

FIG. 35 is a top front perspective view of a food and beverage container with the tray, front legs and rear leg omitted for convenience of illustration;

FIG. 36 is a bottom plan view thereof;

FIG. 37 is a rear elevational view thereof;

FIG. 38 is a top plan view thereof; and,

FIG. 39 is a sectional view thereof, taken along line 39-39 of FIG. 38.

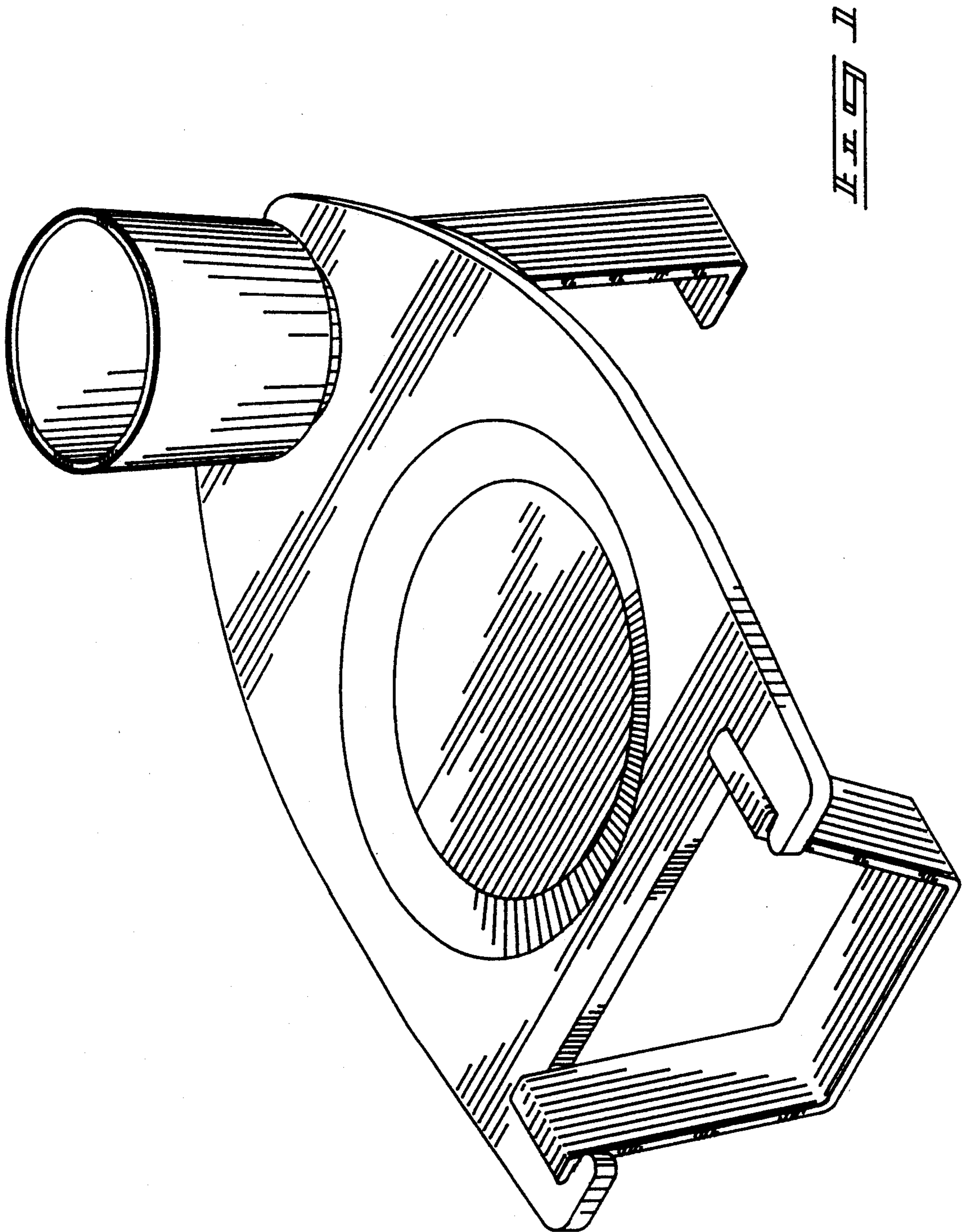


Fig. 1

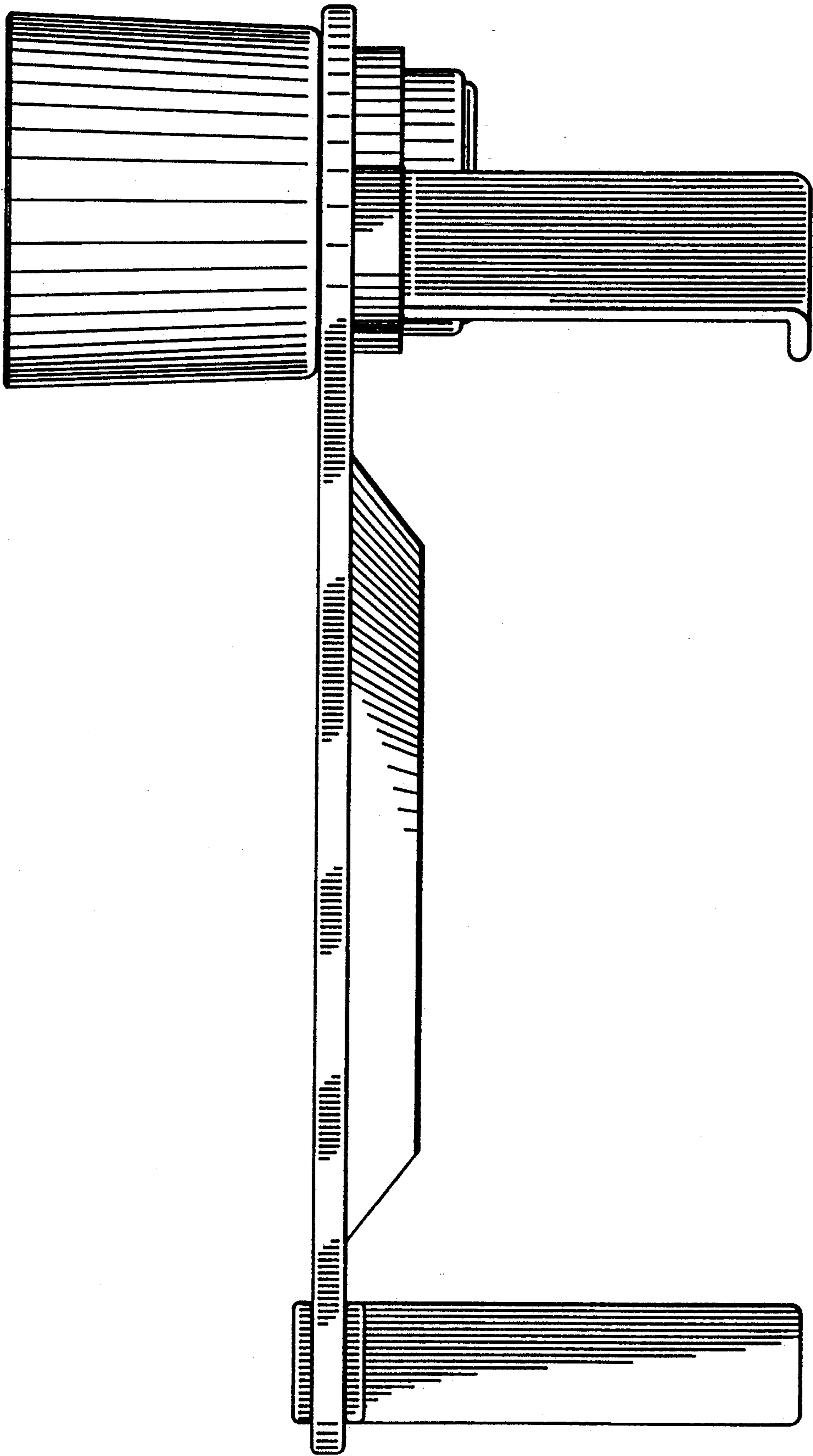
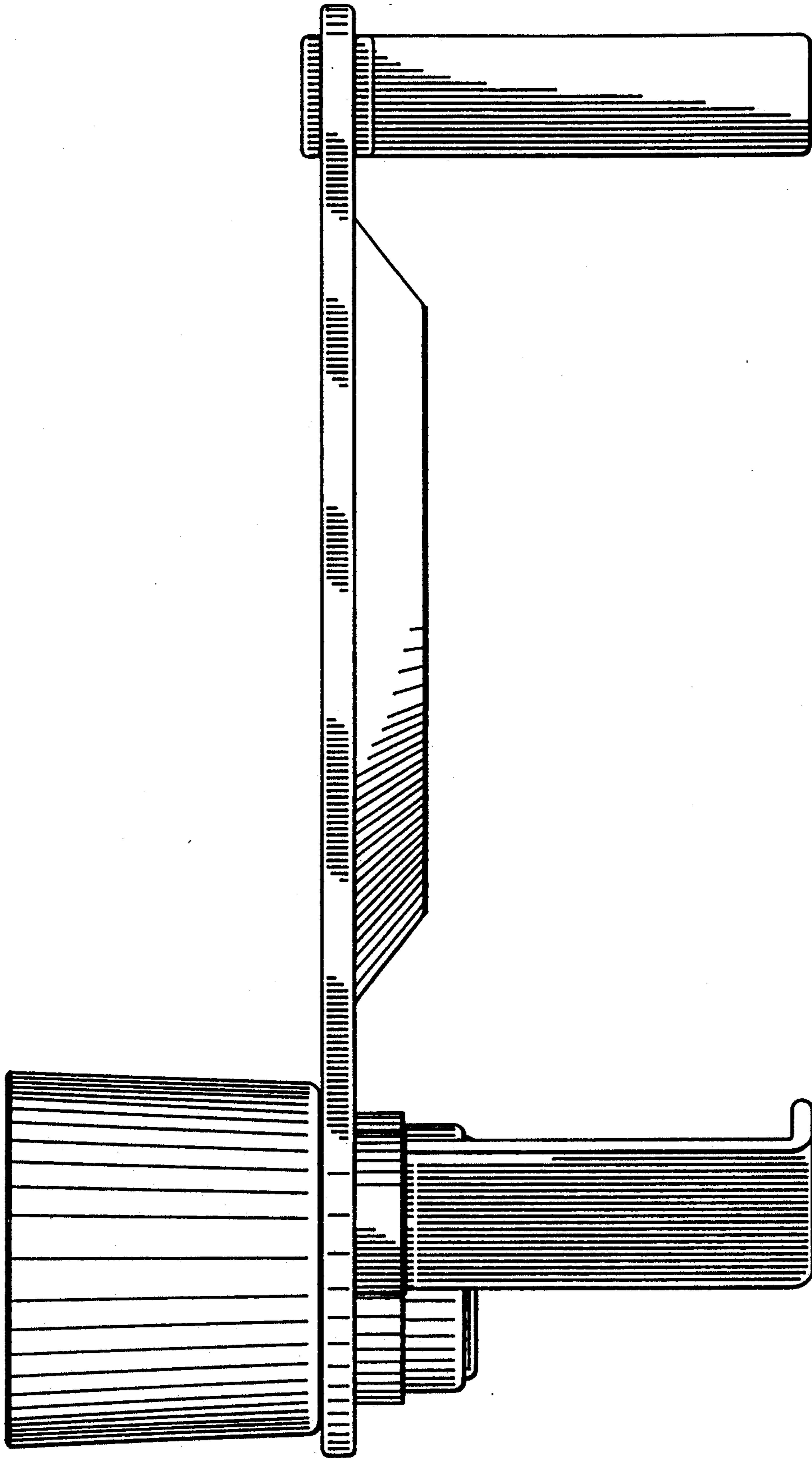


FIG. 2



E E E E

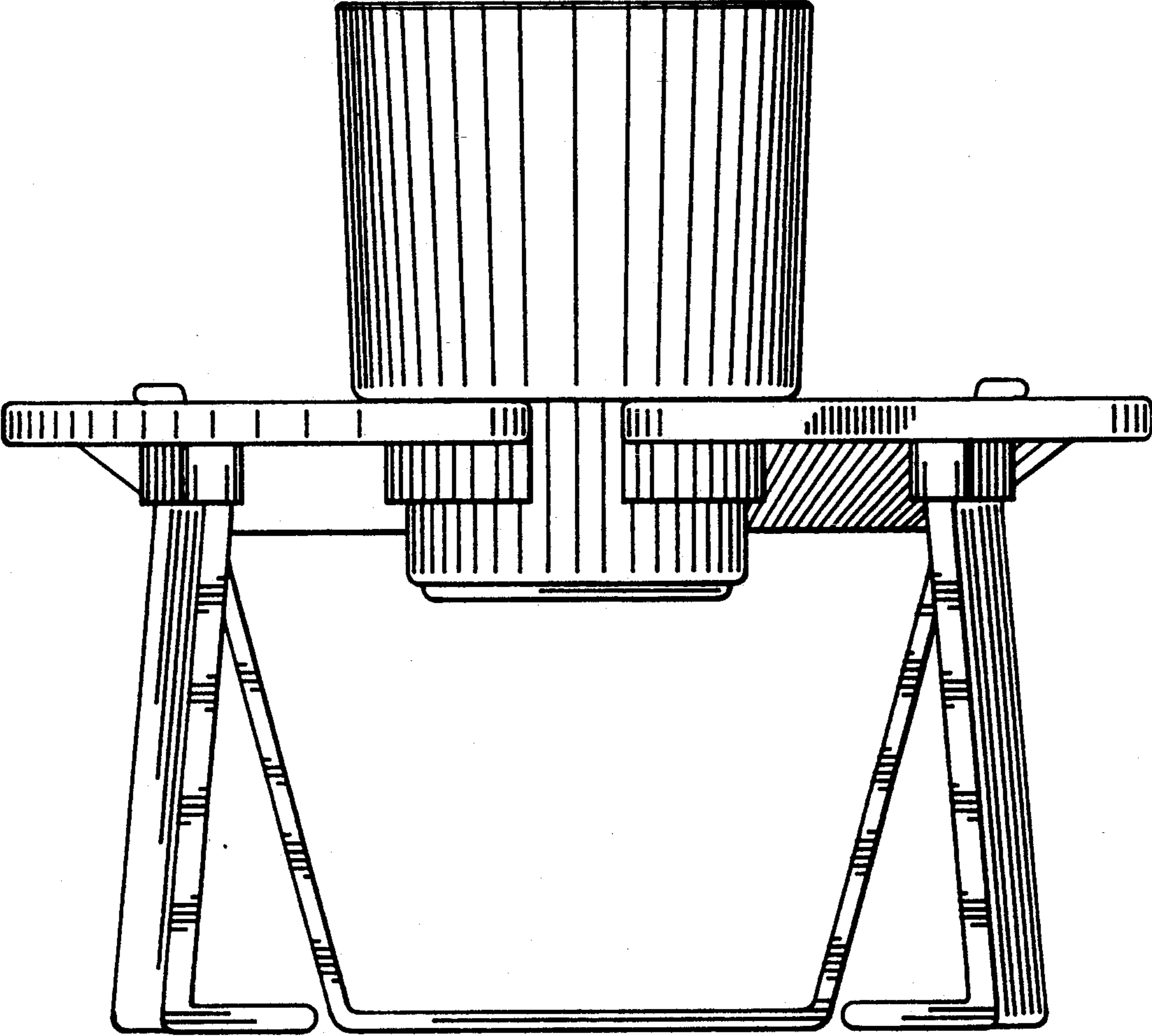


Fig. 4

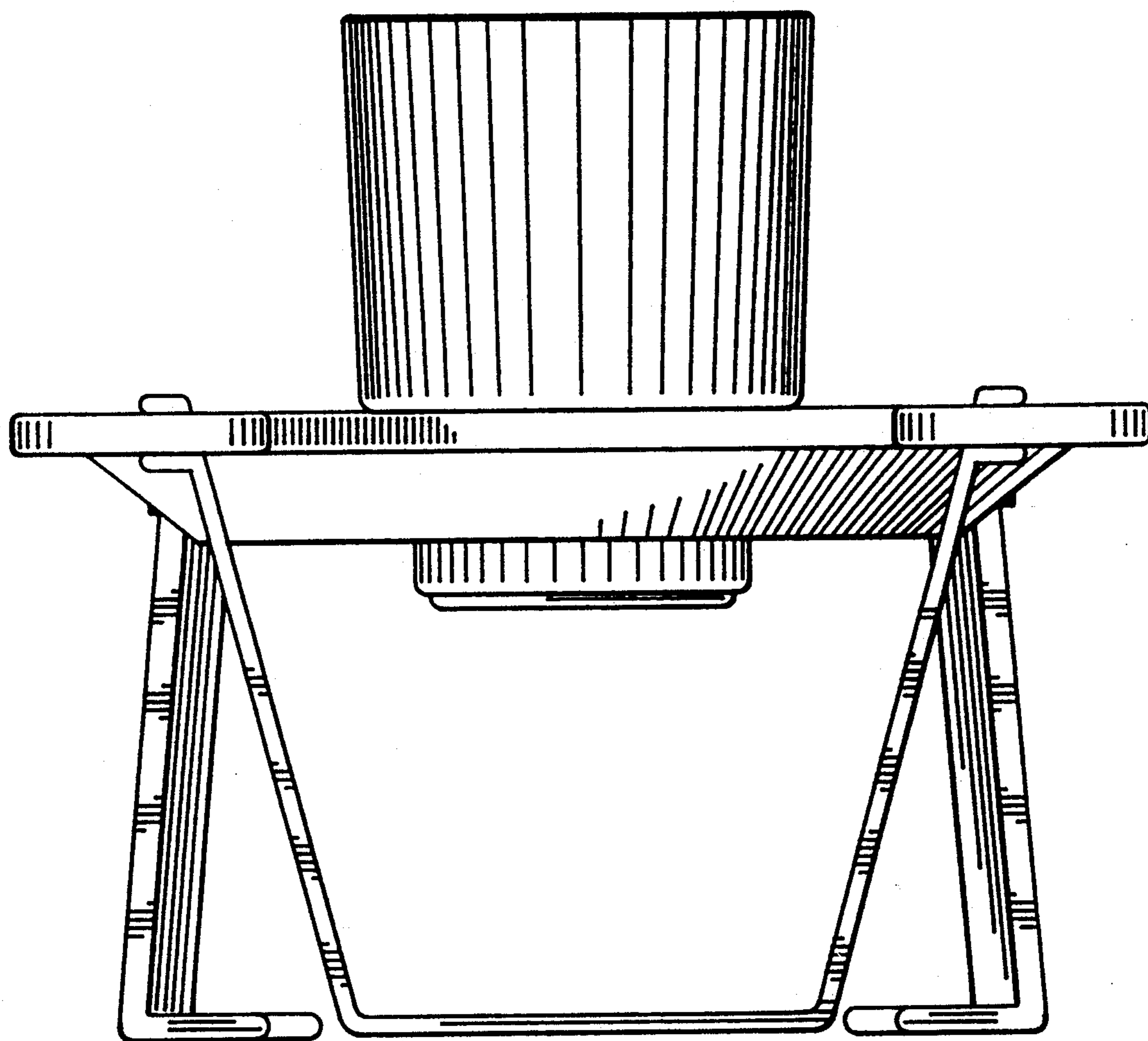


FIG. 5

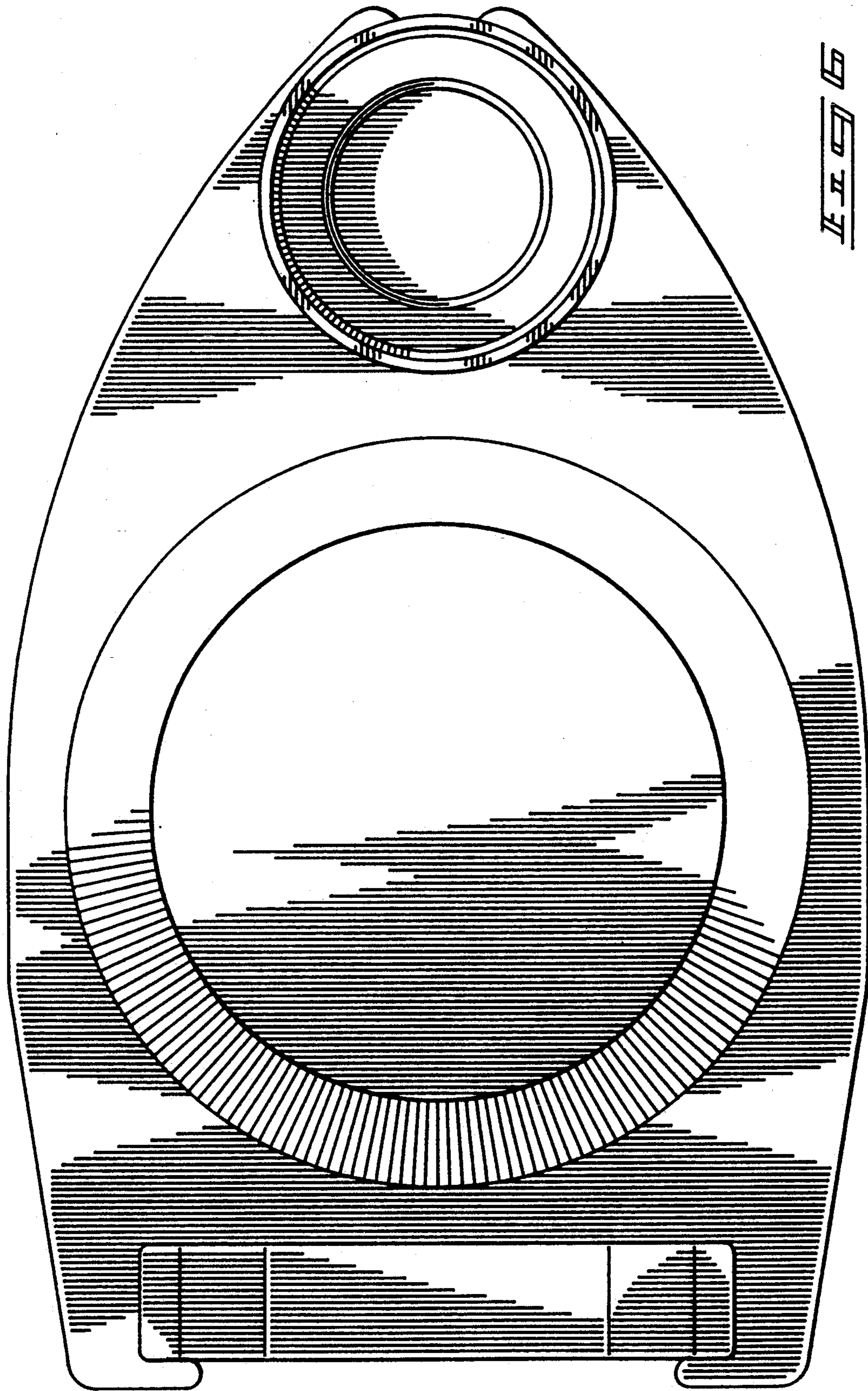


FIG. 6

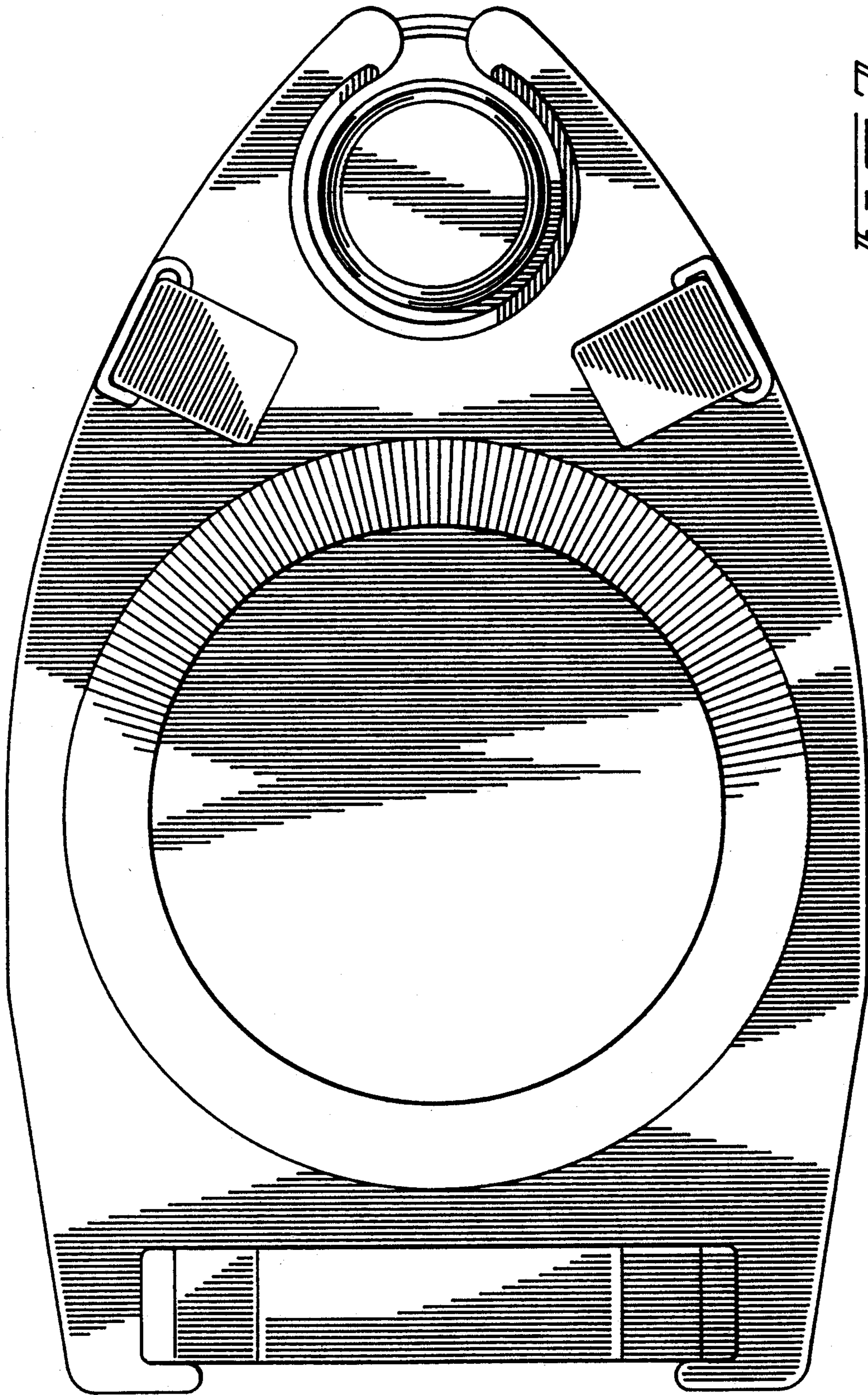
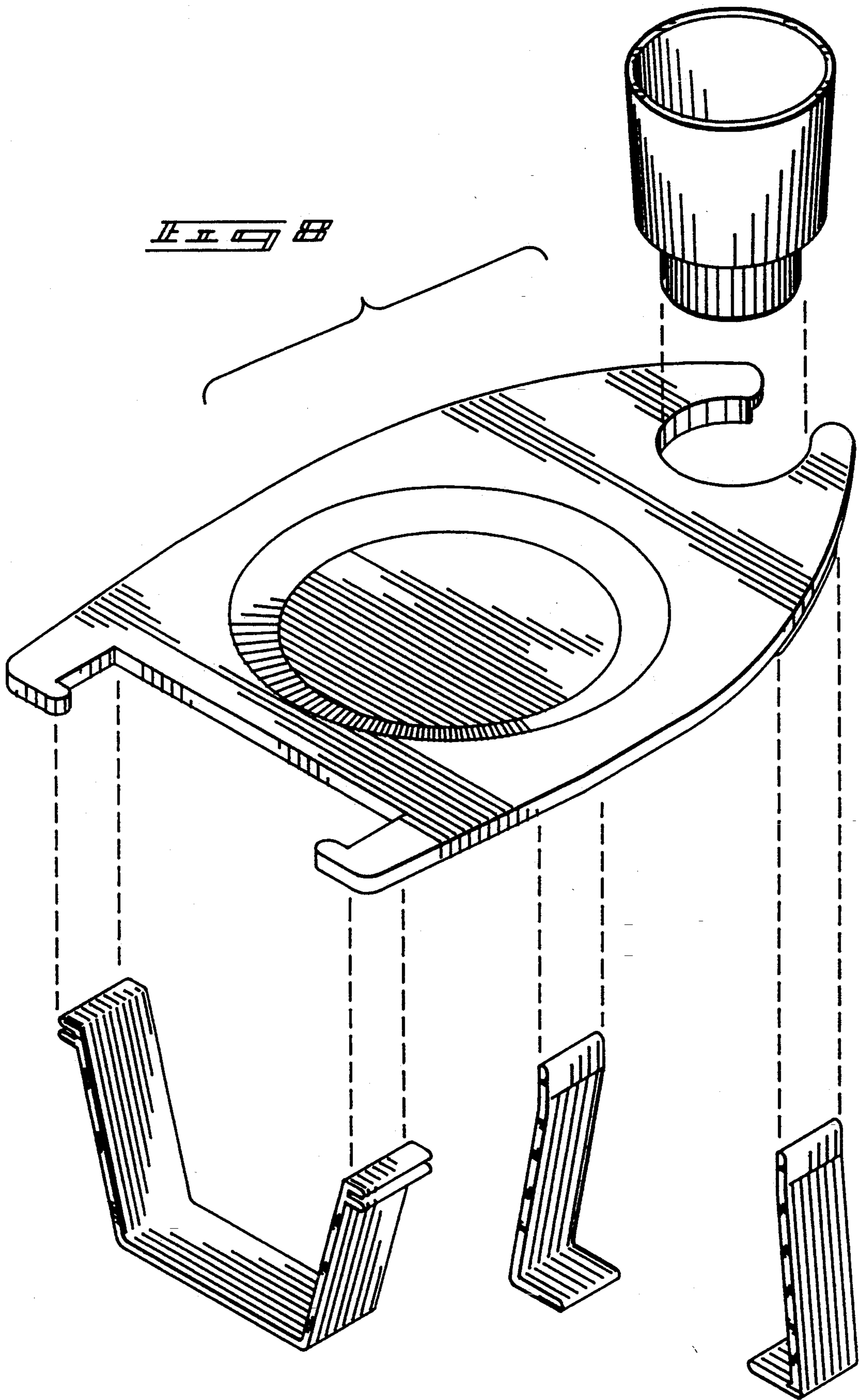


FIG. 7



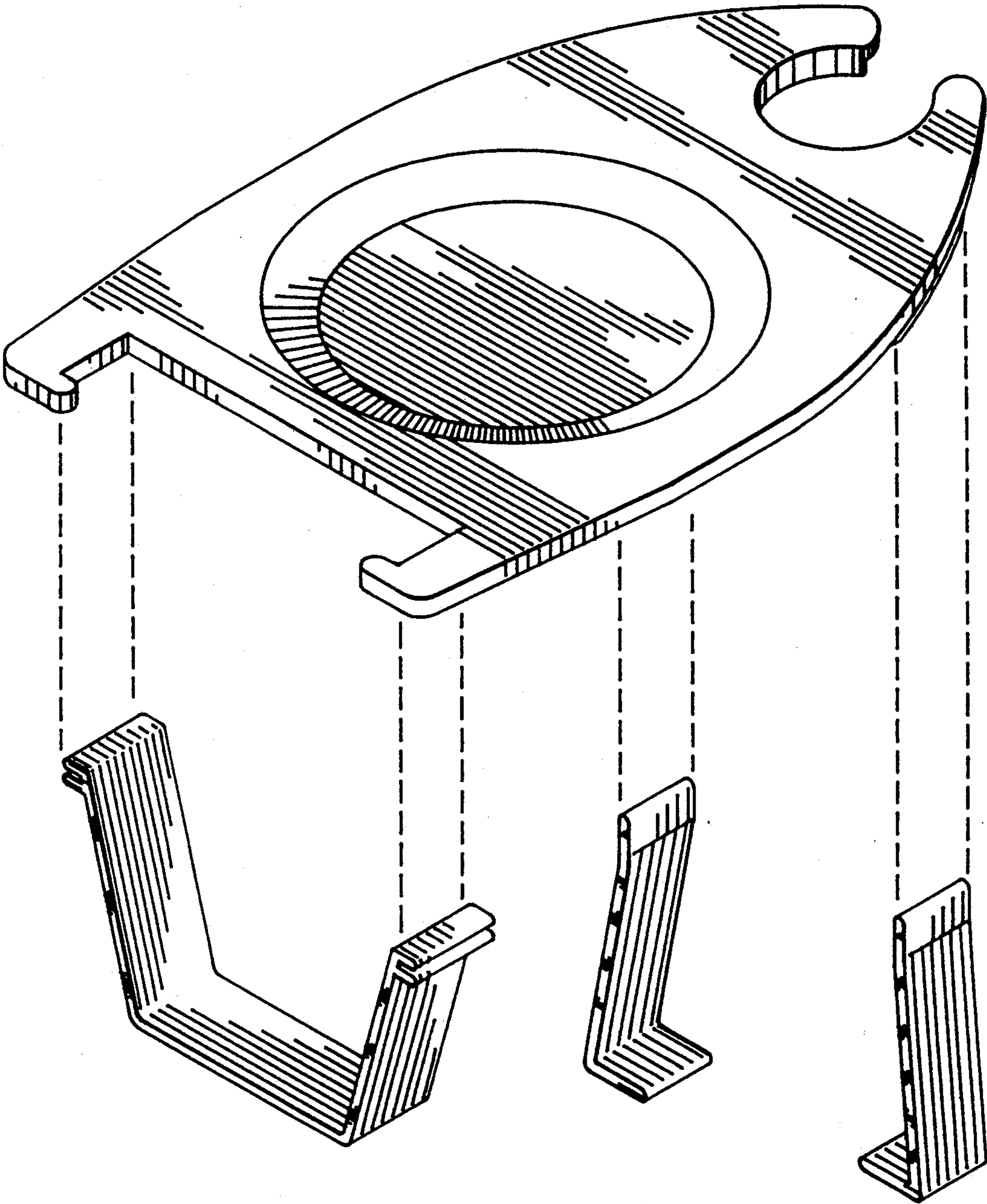
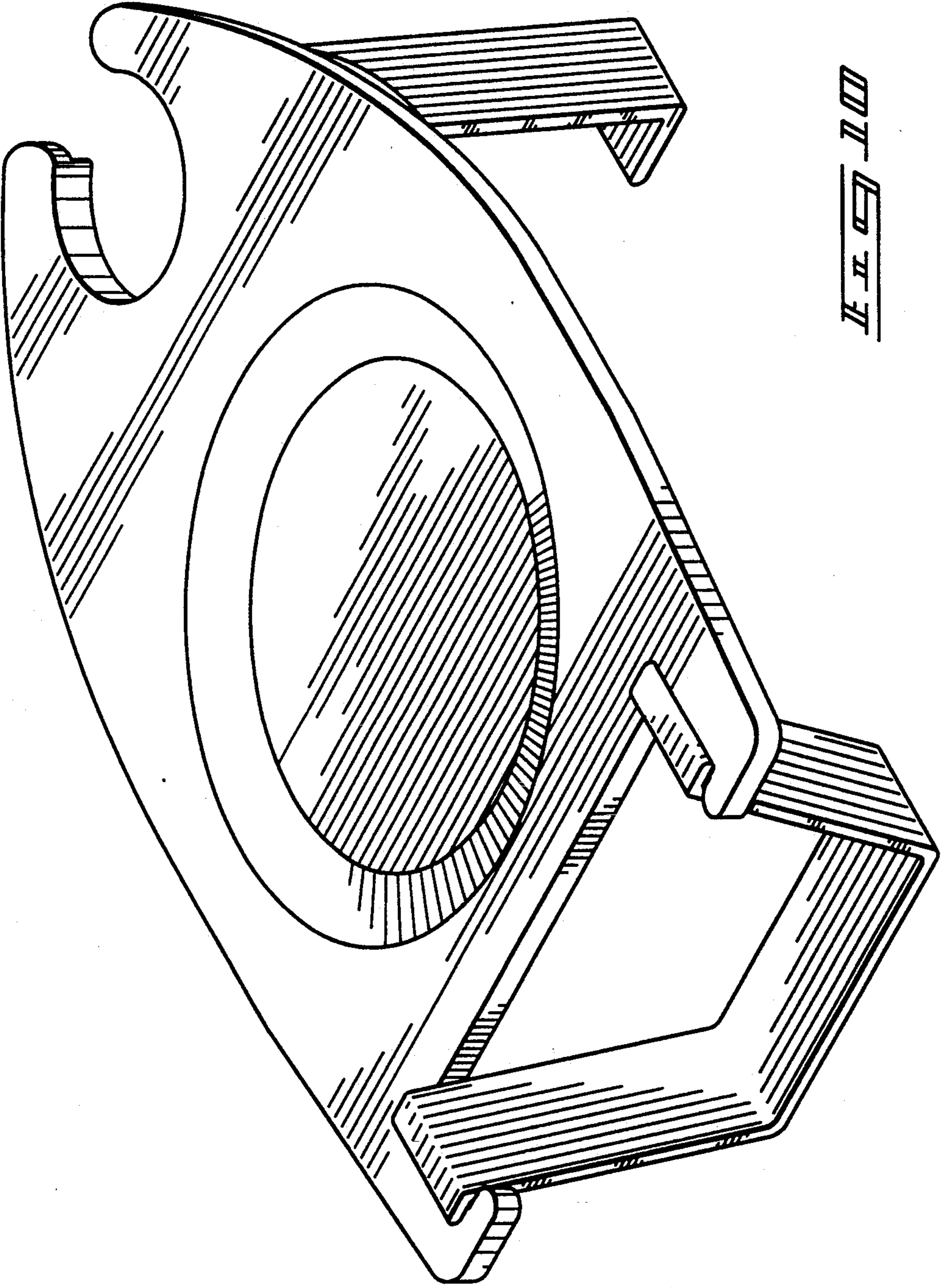
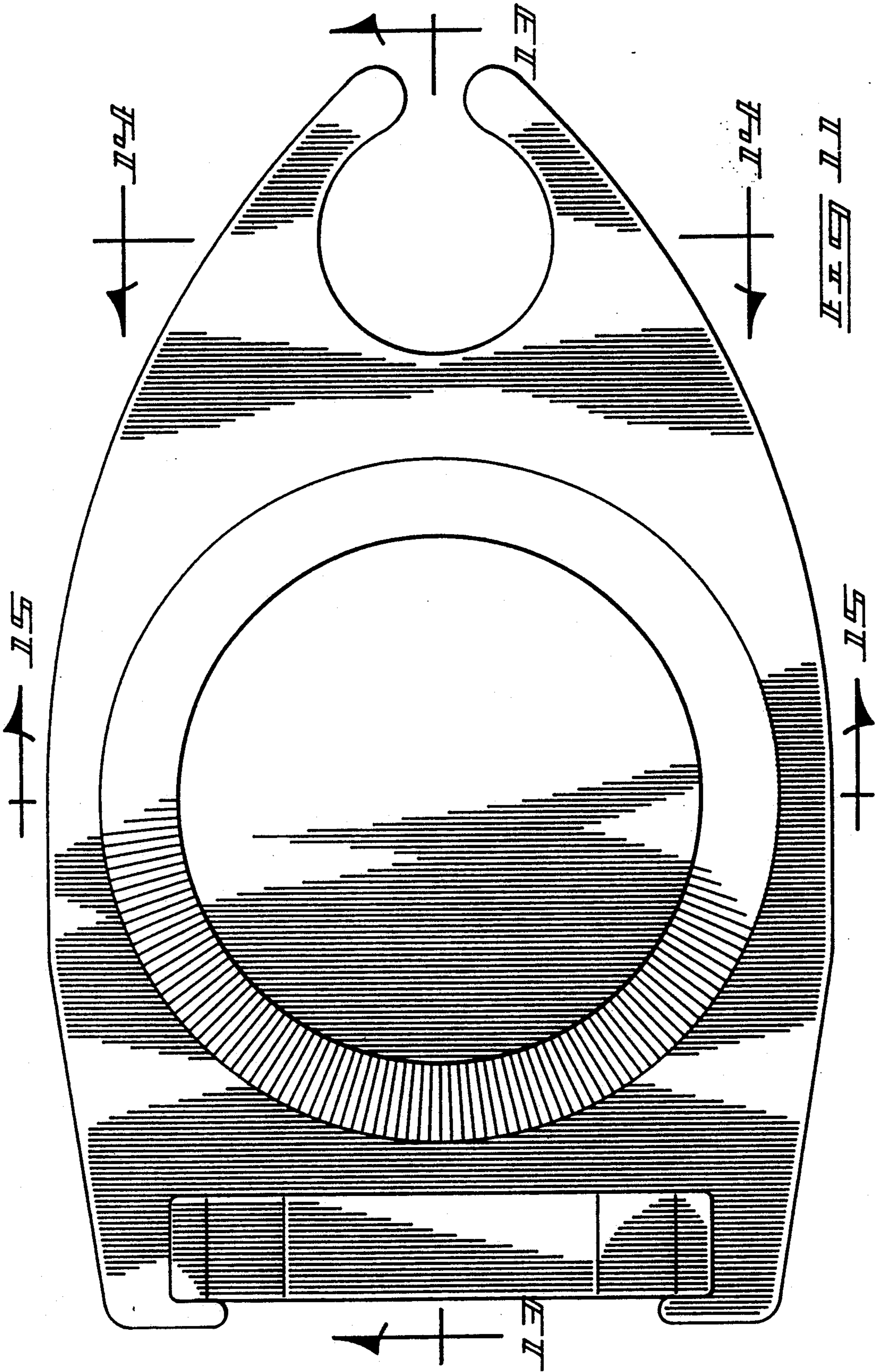


FIG. 9





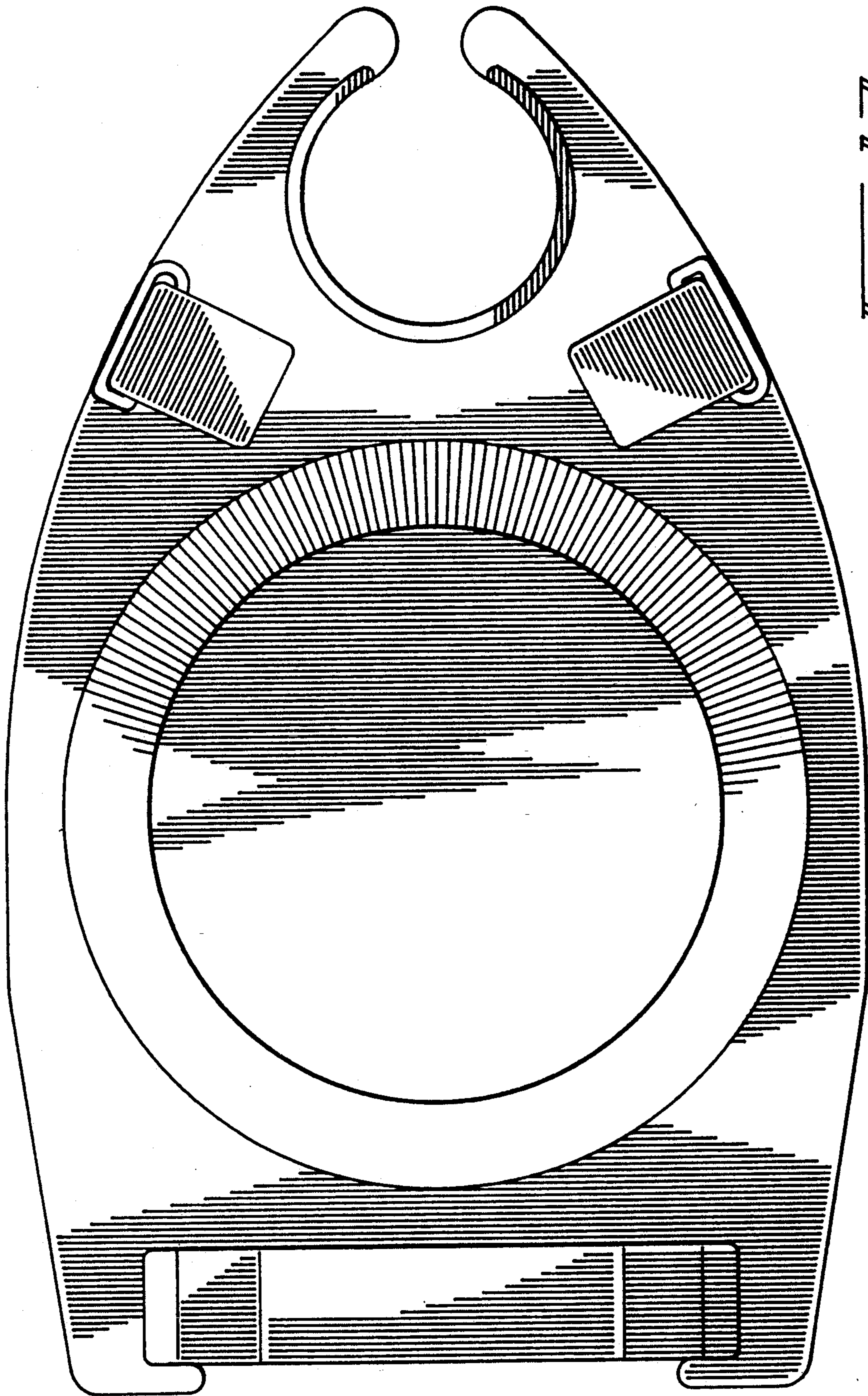


FIG. 12

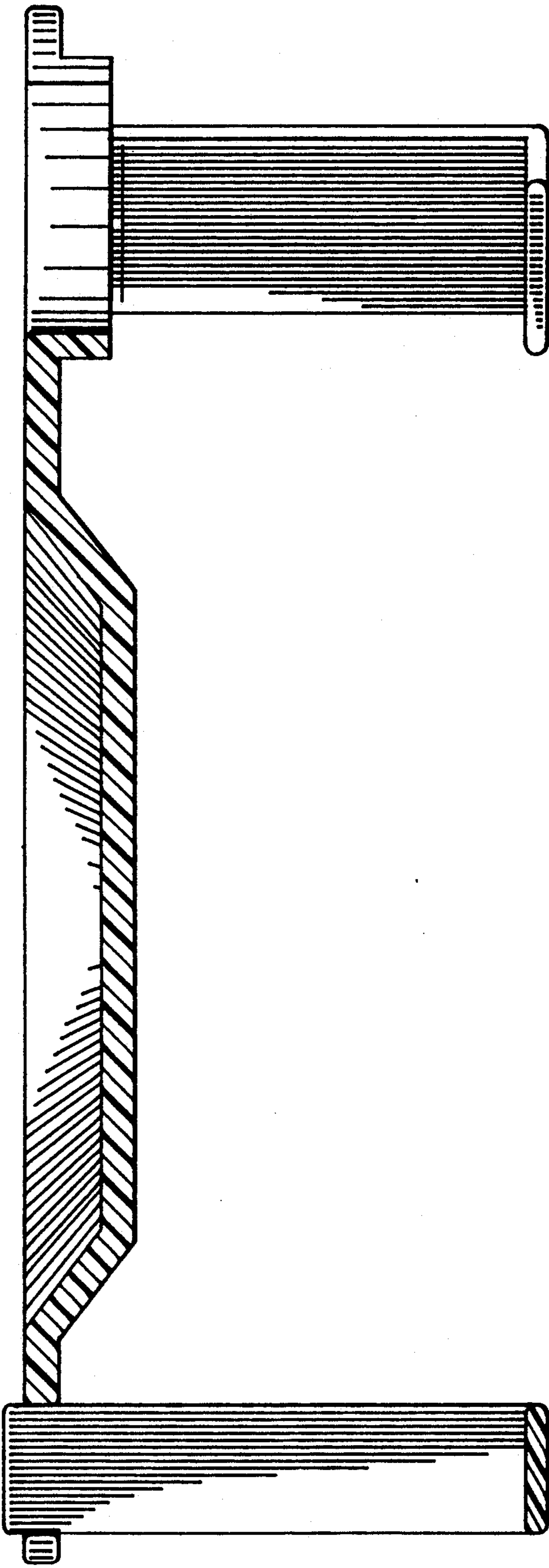


FIG. 13

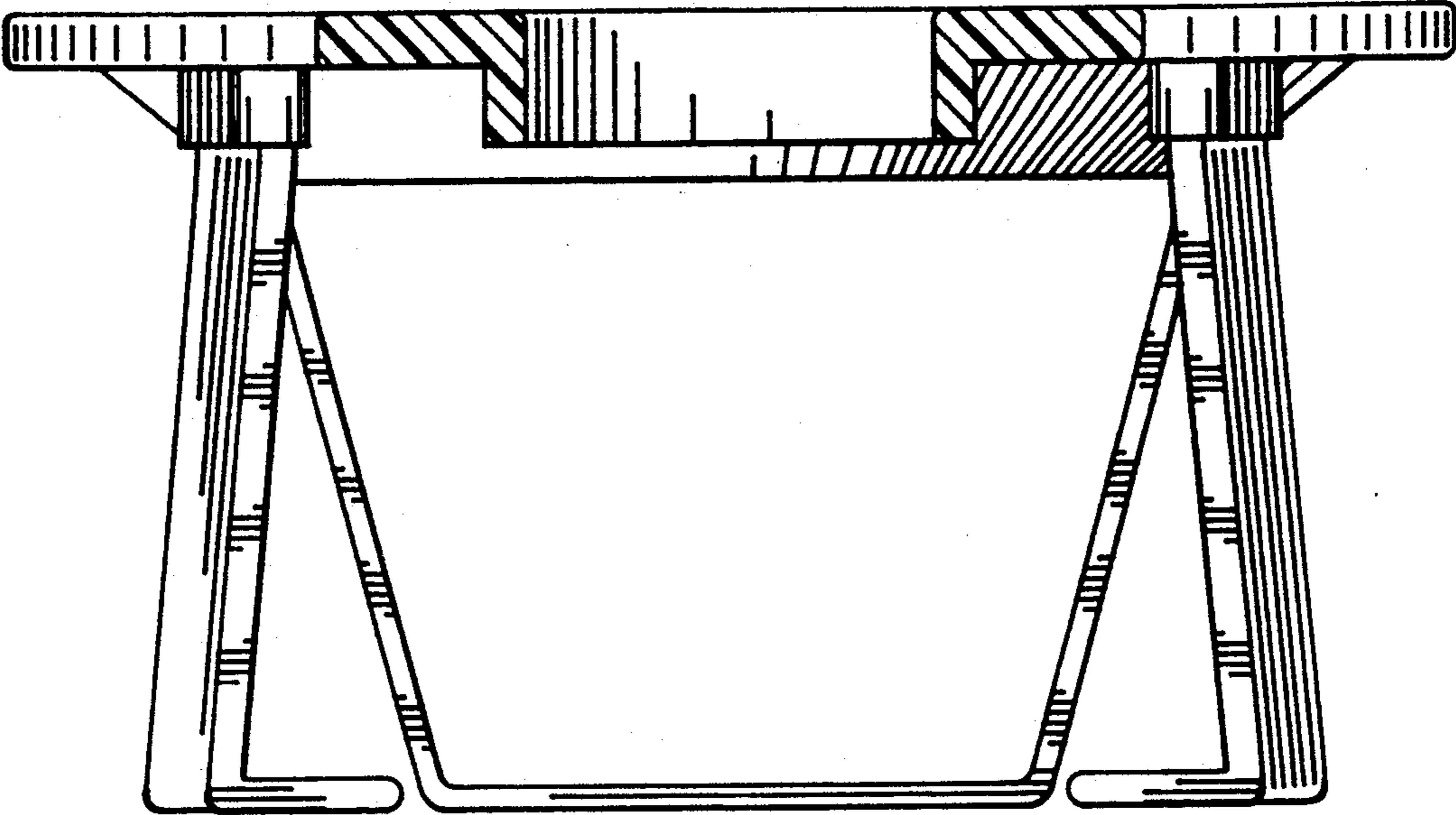


Fig. 14

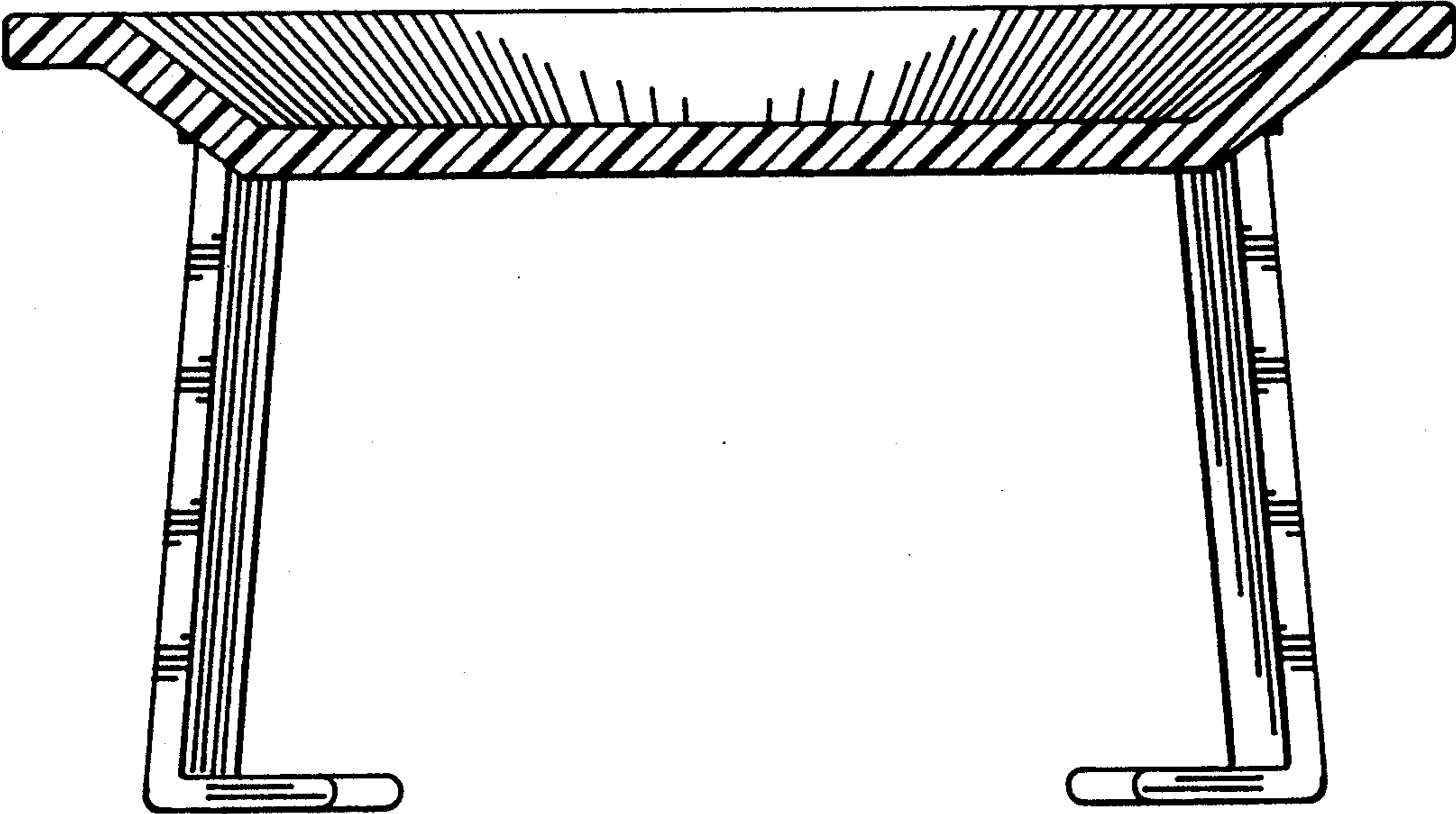


Fig. 15

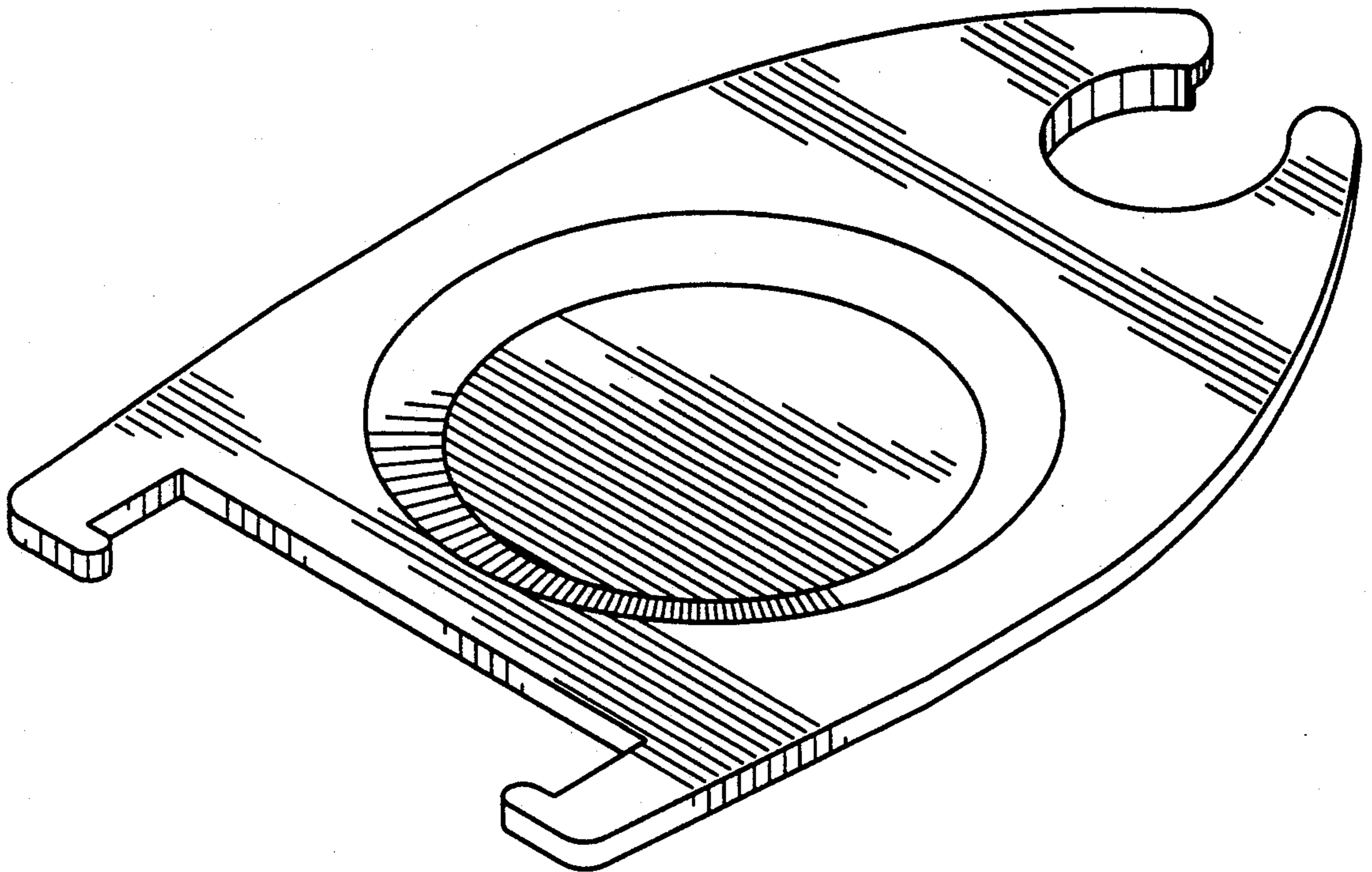
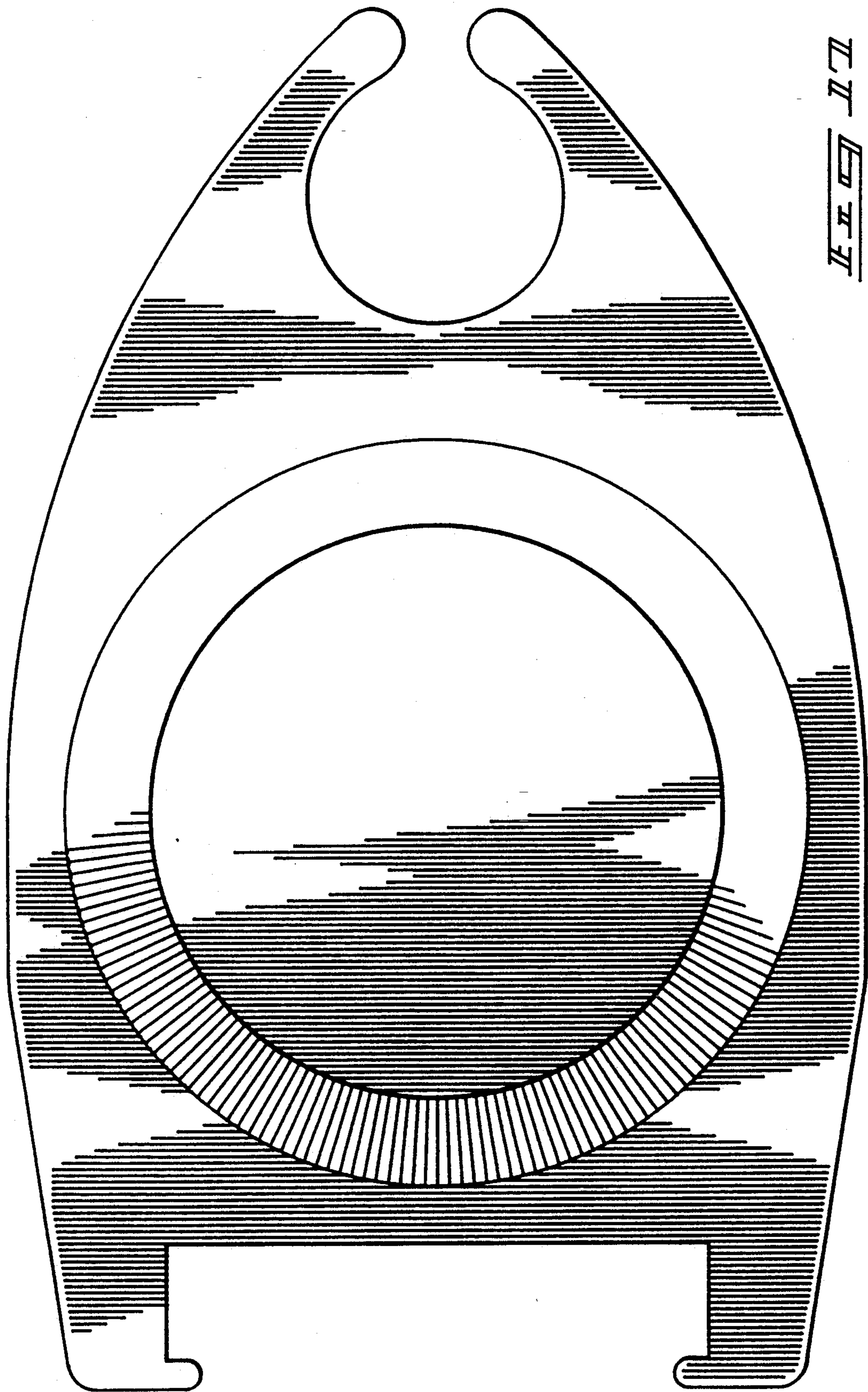


FIG. 16



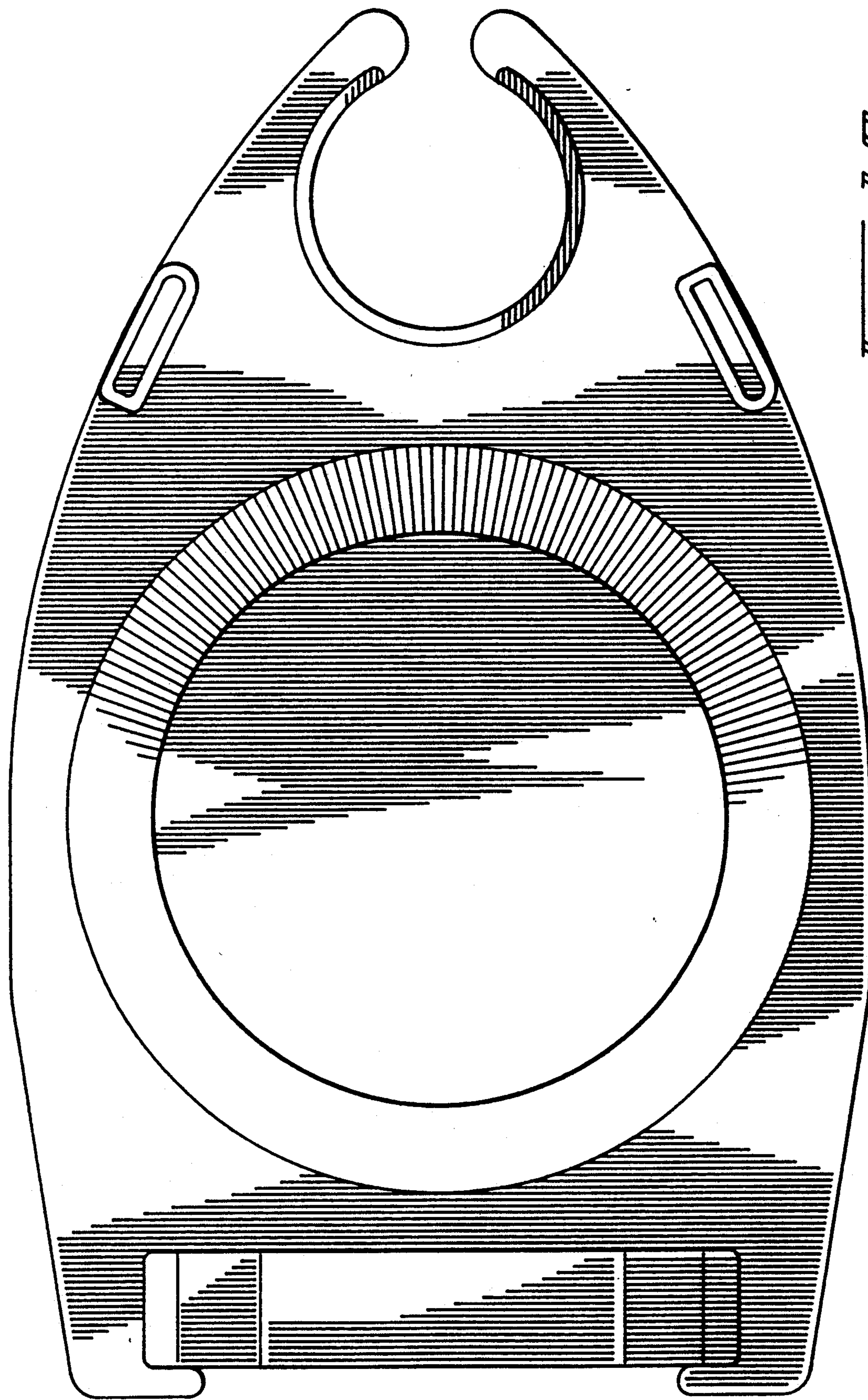


FIG. 17

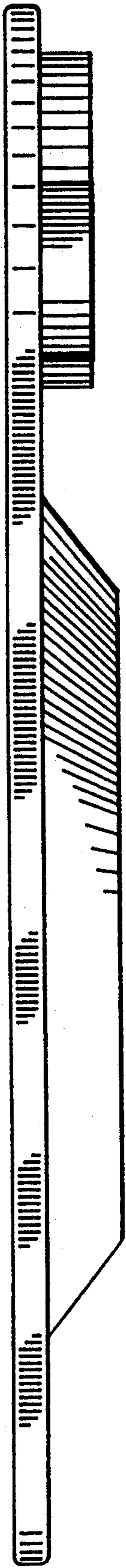


Fig. 19

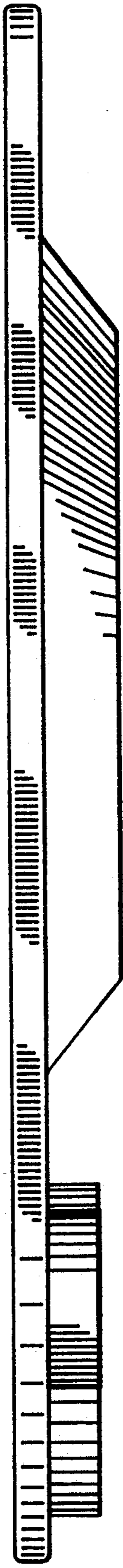


Fig. 20

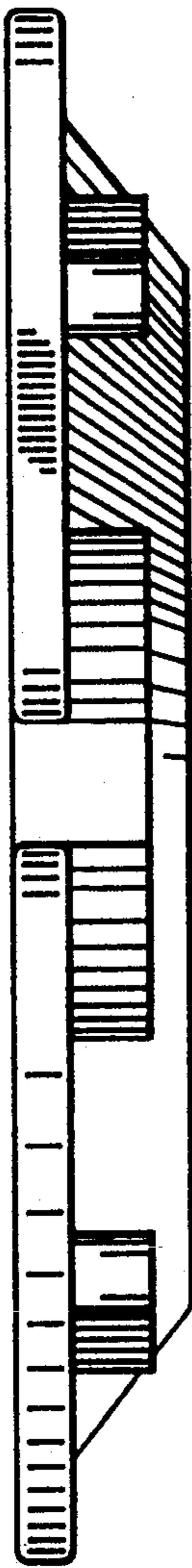


Fig. 21

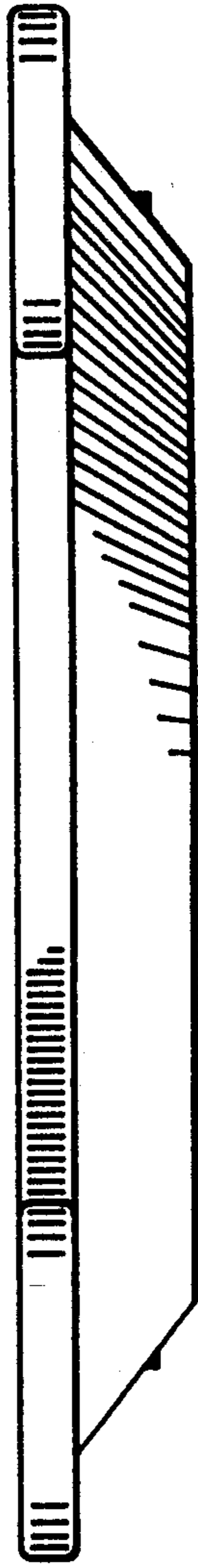


Fig. 22

FIG. 23

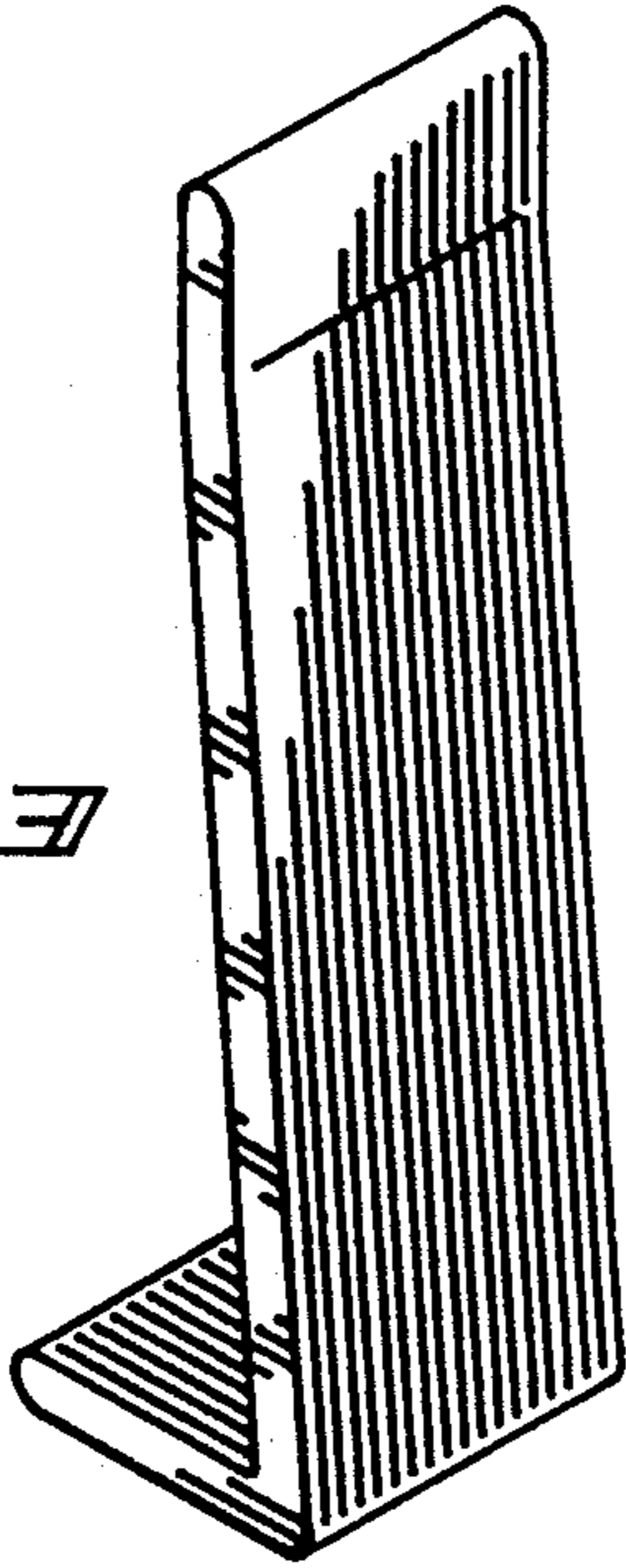


FIG. 24

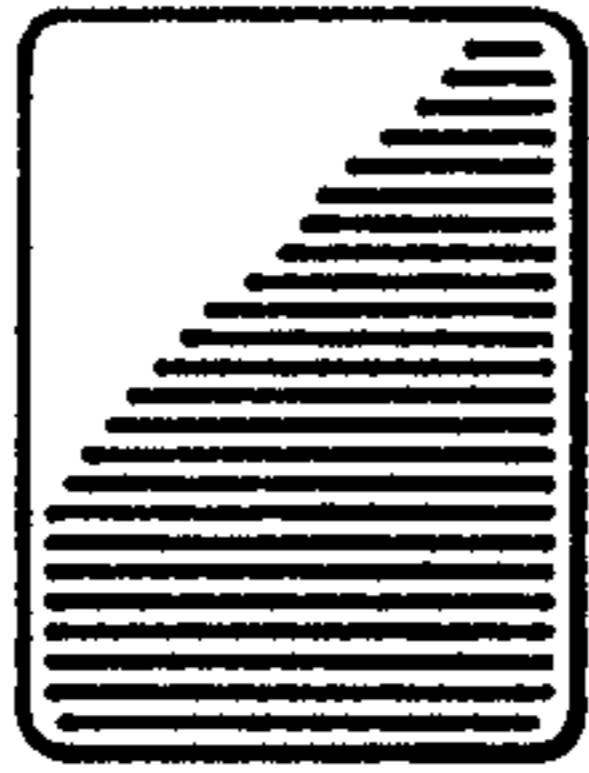


FIG. 25

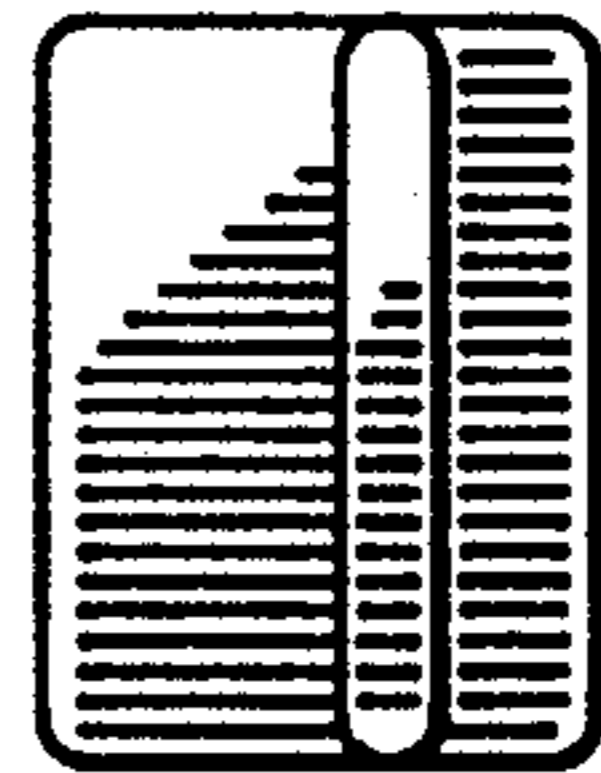


FIG. 26

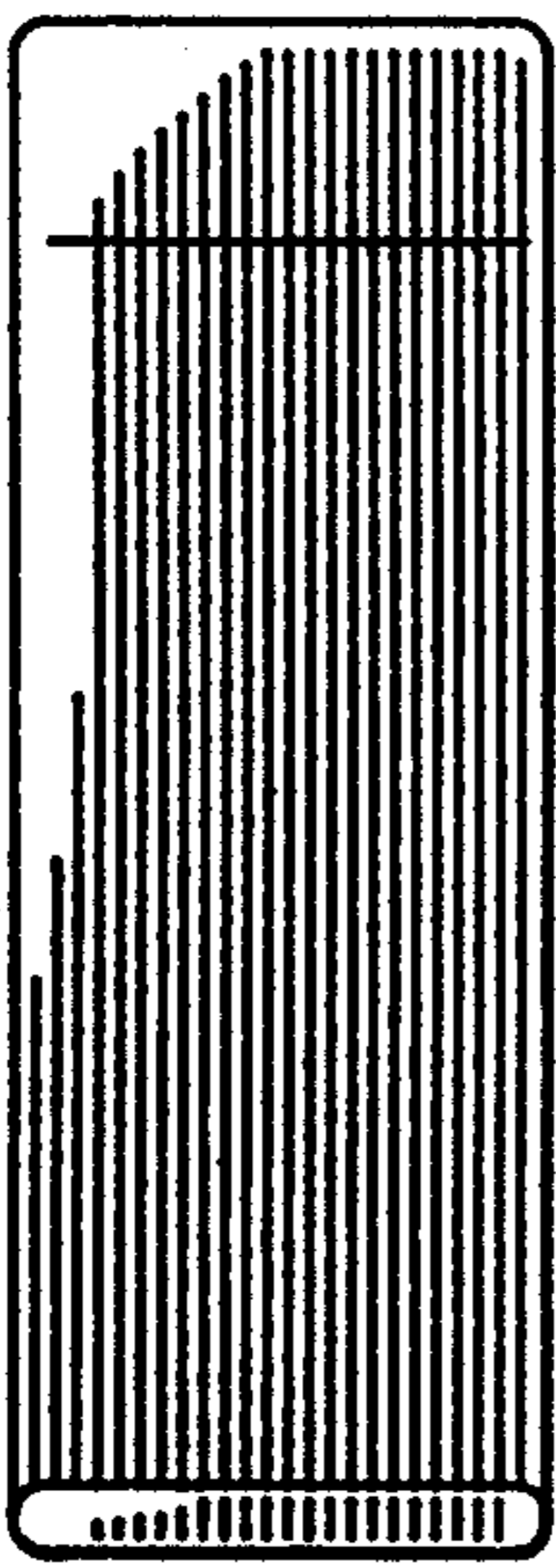


FIG. 27

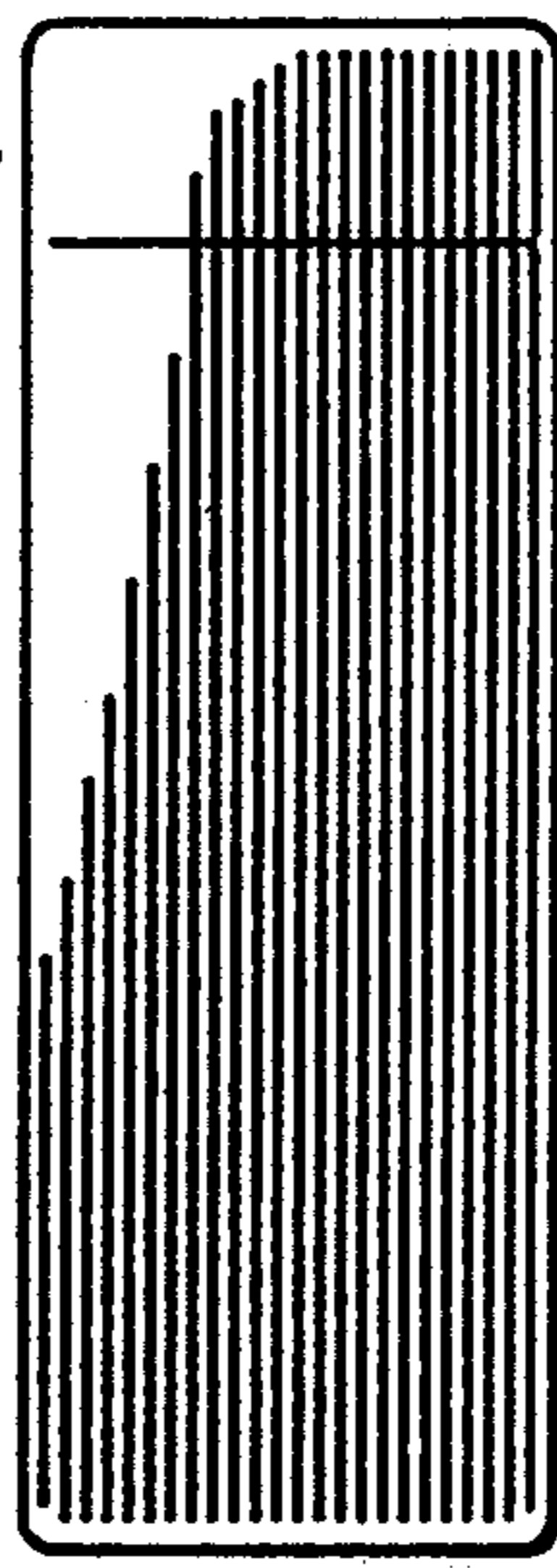


FIG. 28

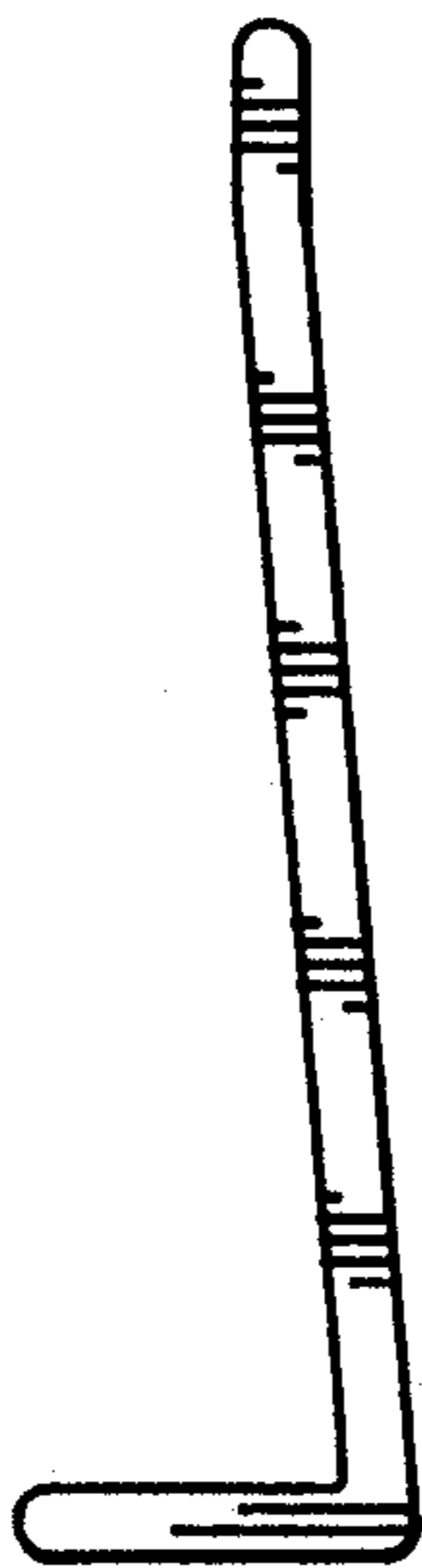
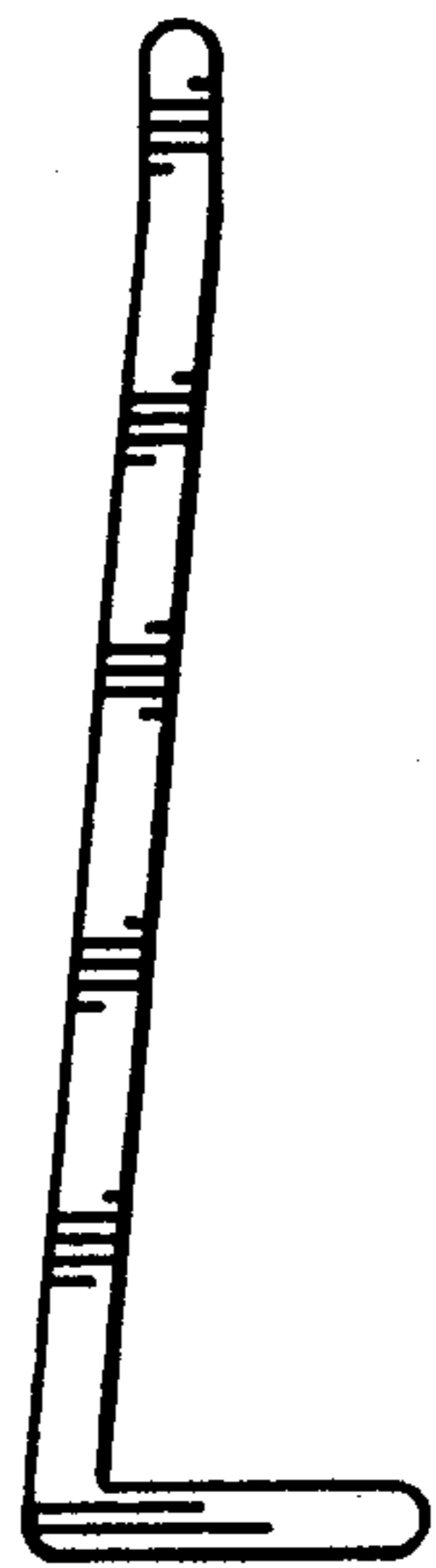


FIG. 29



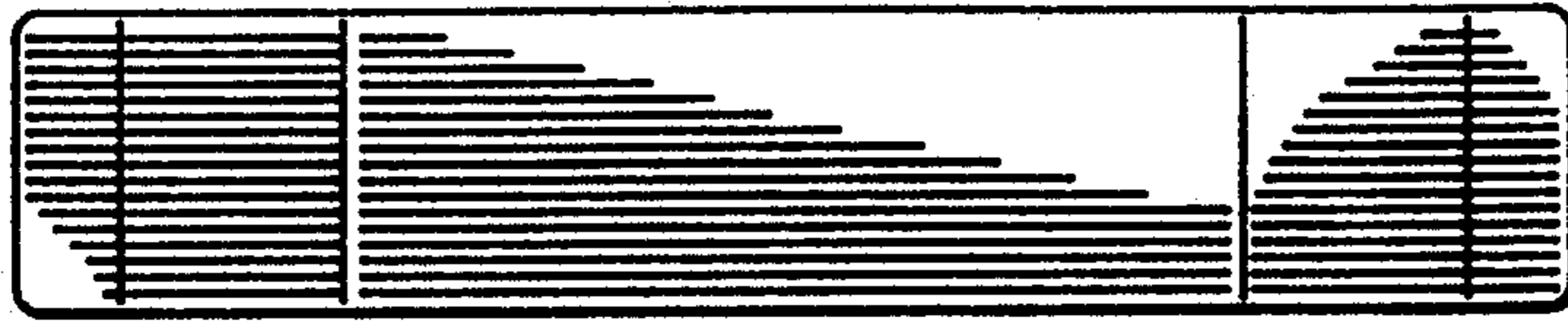


Fig. 34

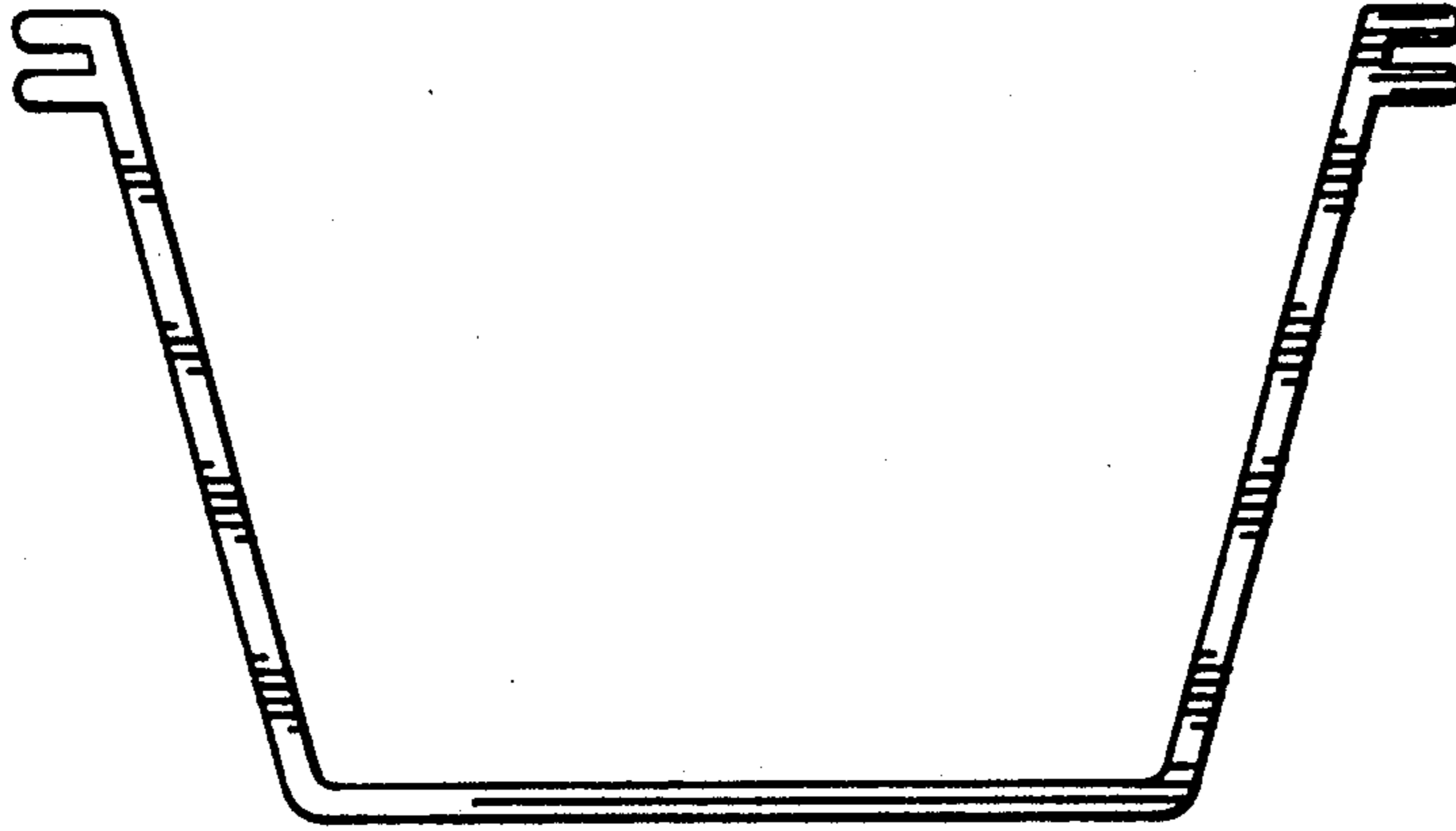


Fig. 33

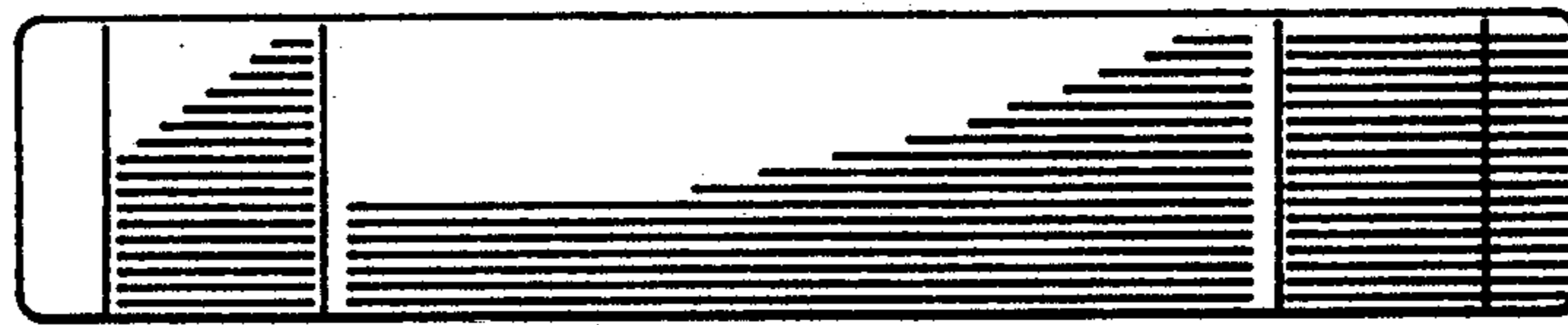


Fig. 32



Fig. 31

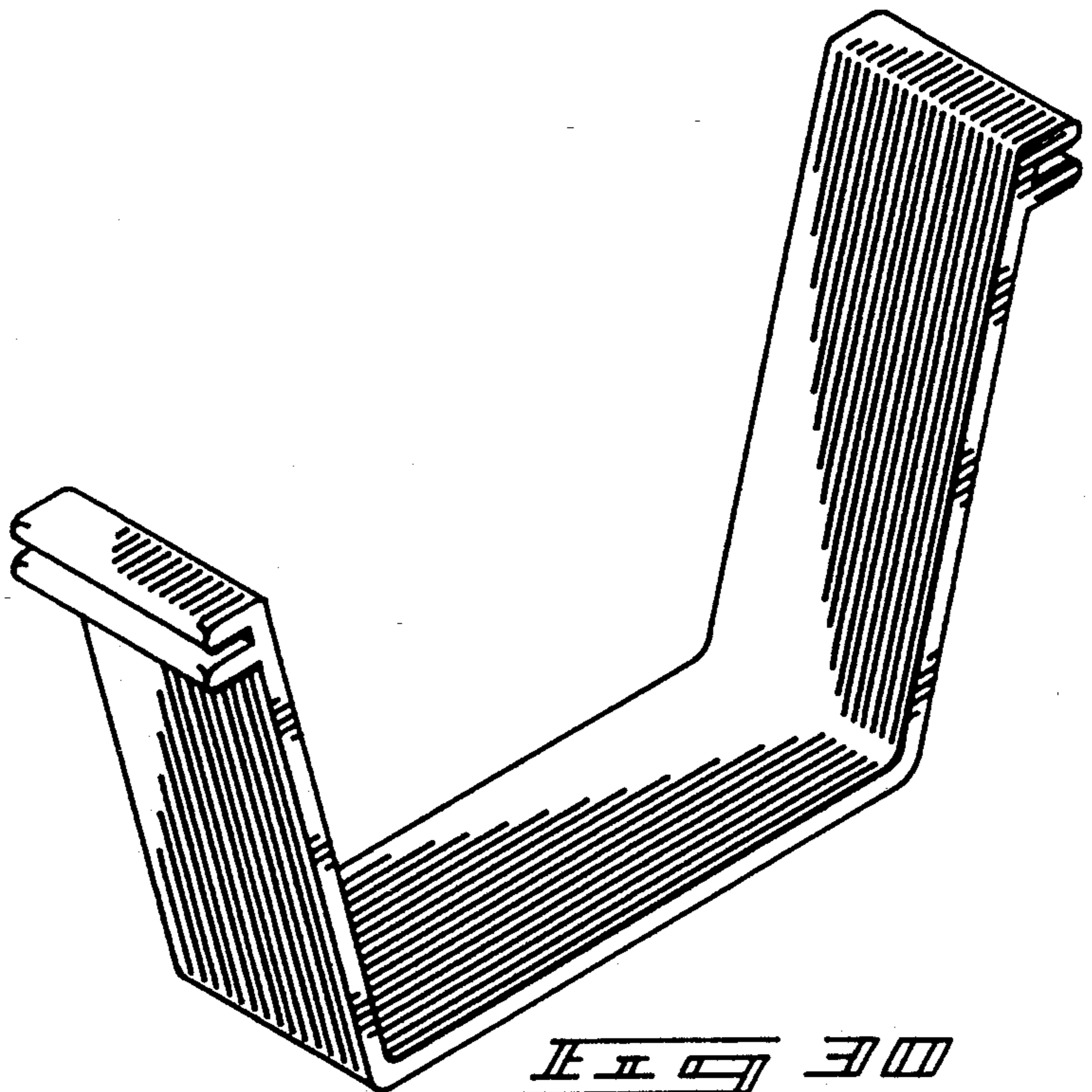


Fig. 30

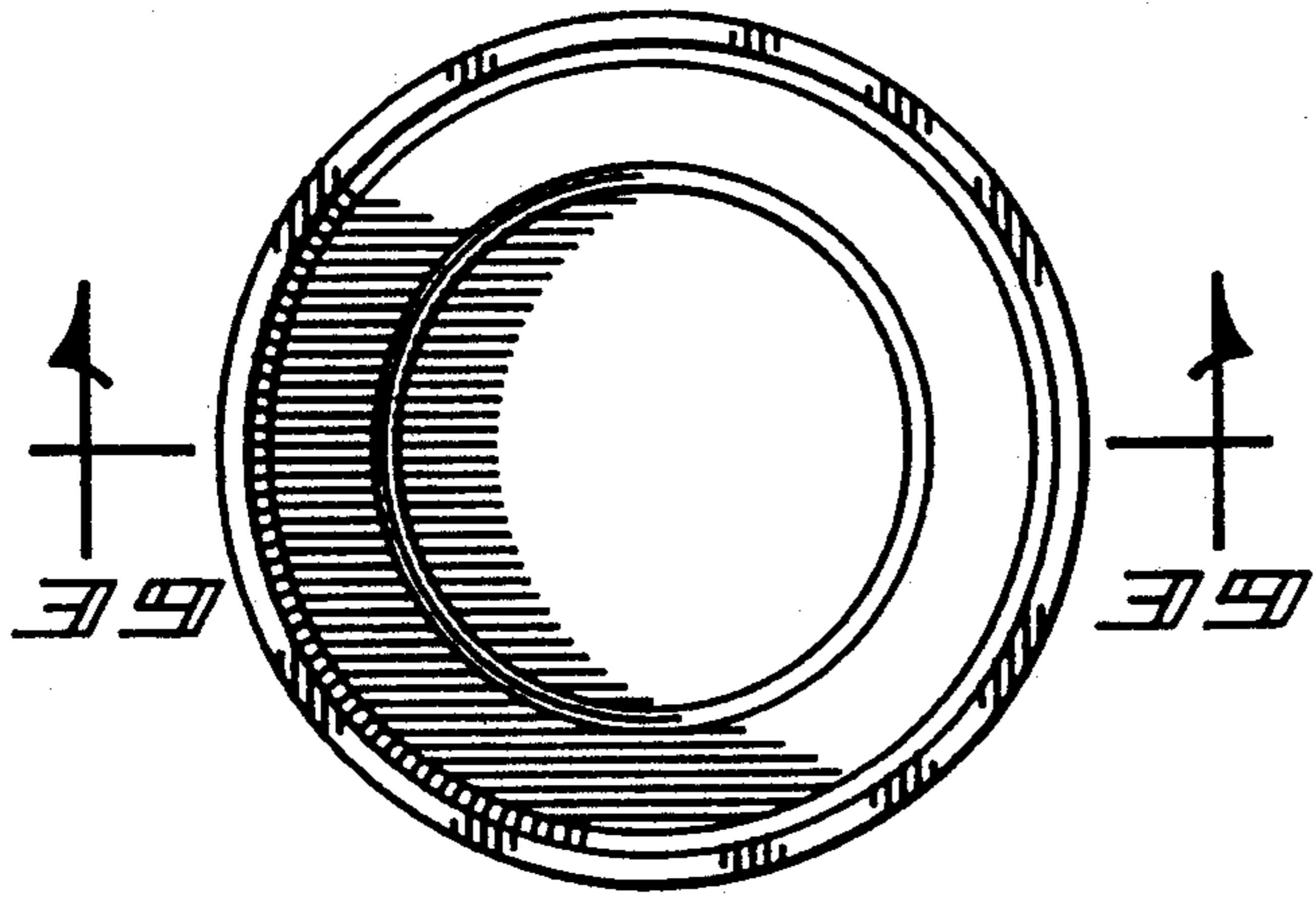


FIG. 38

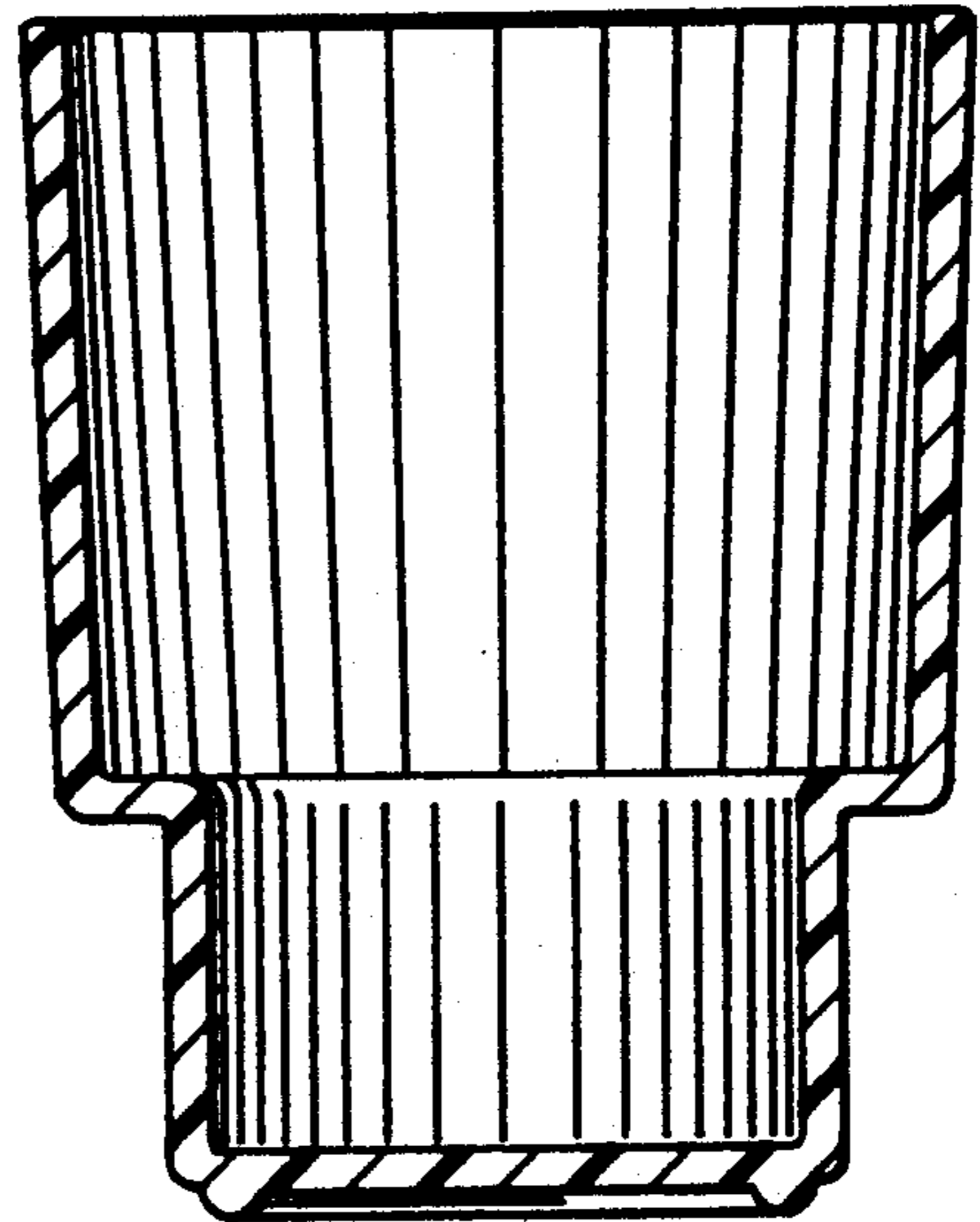


FIG. 39

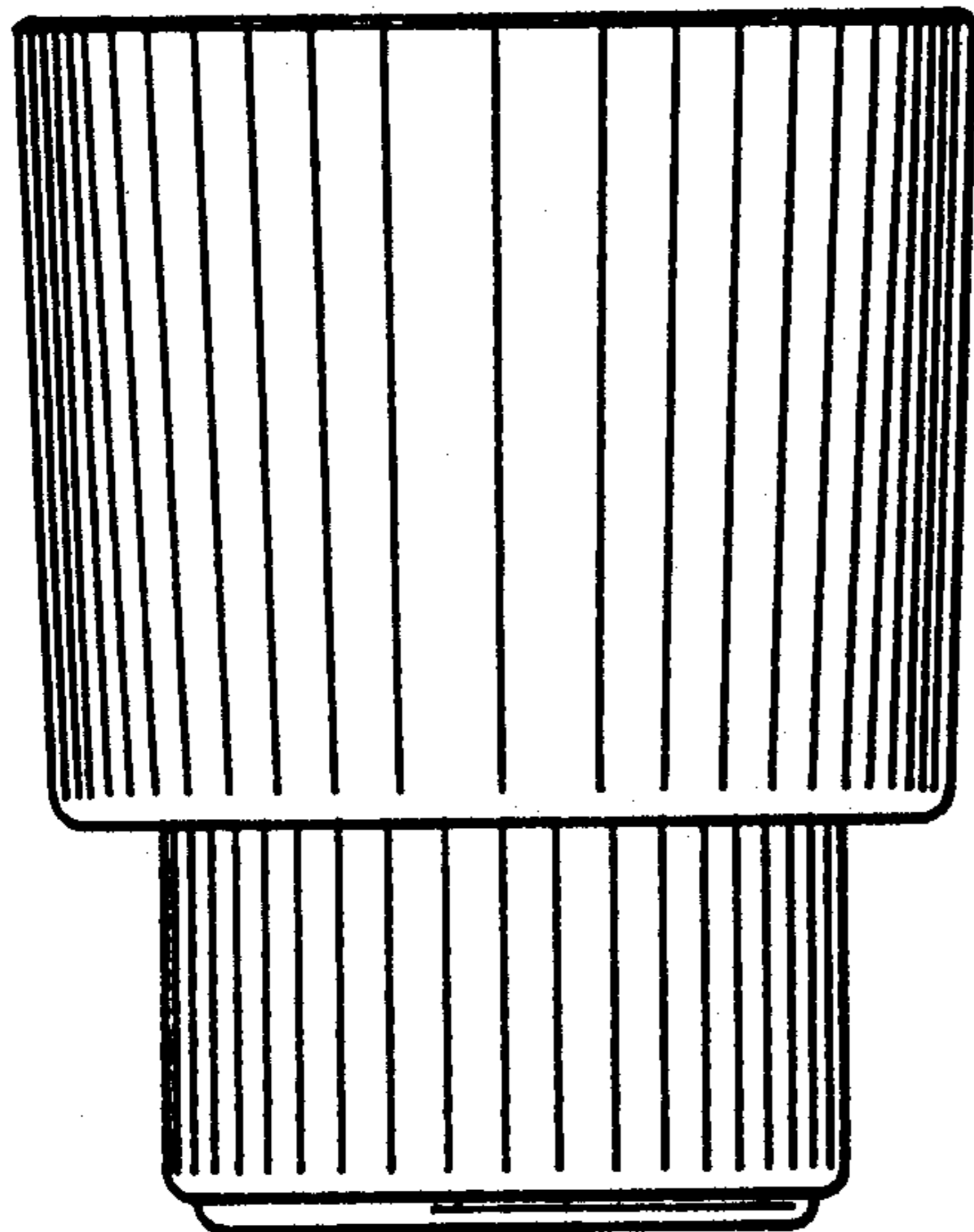


FIG. 40

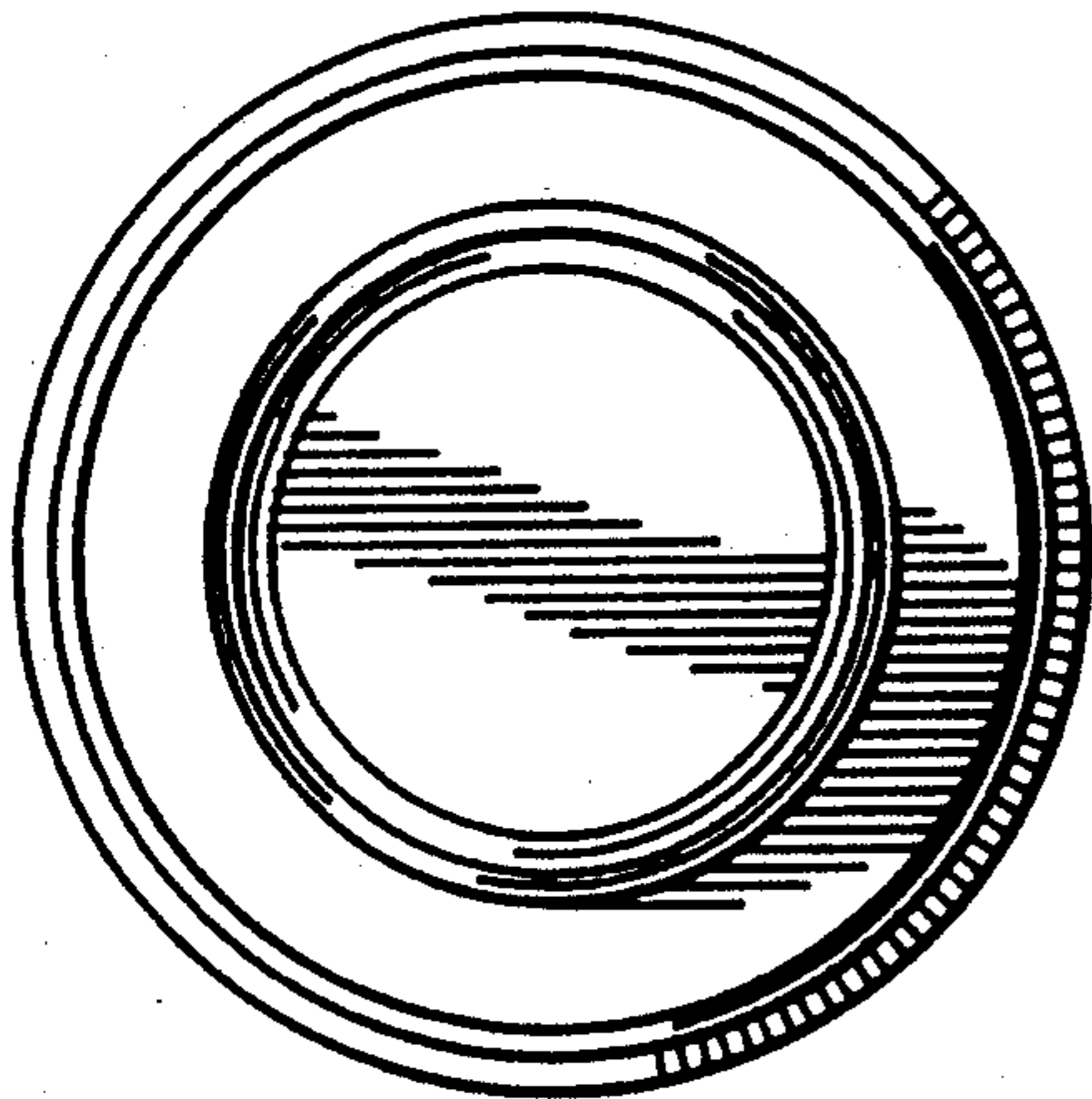


FIG. 41

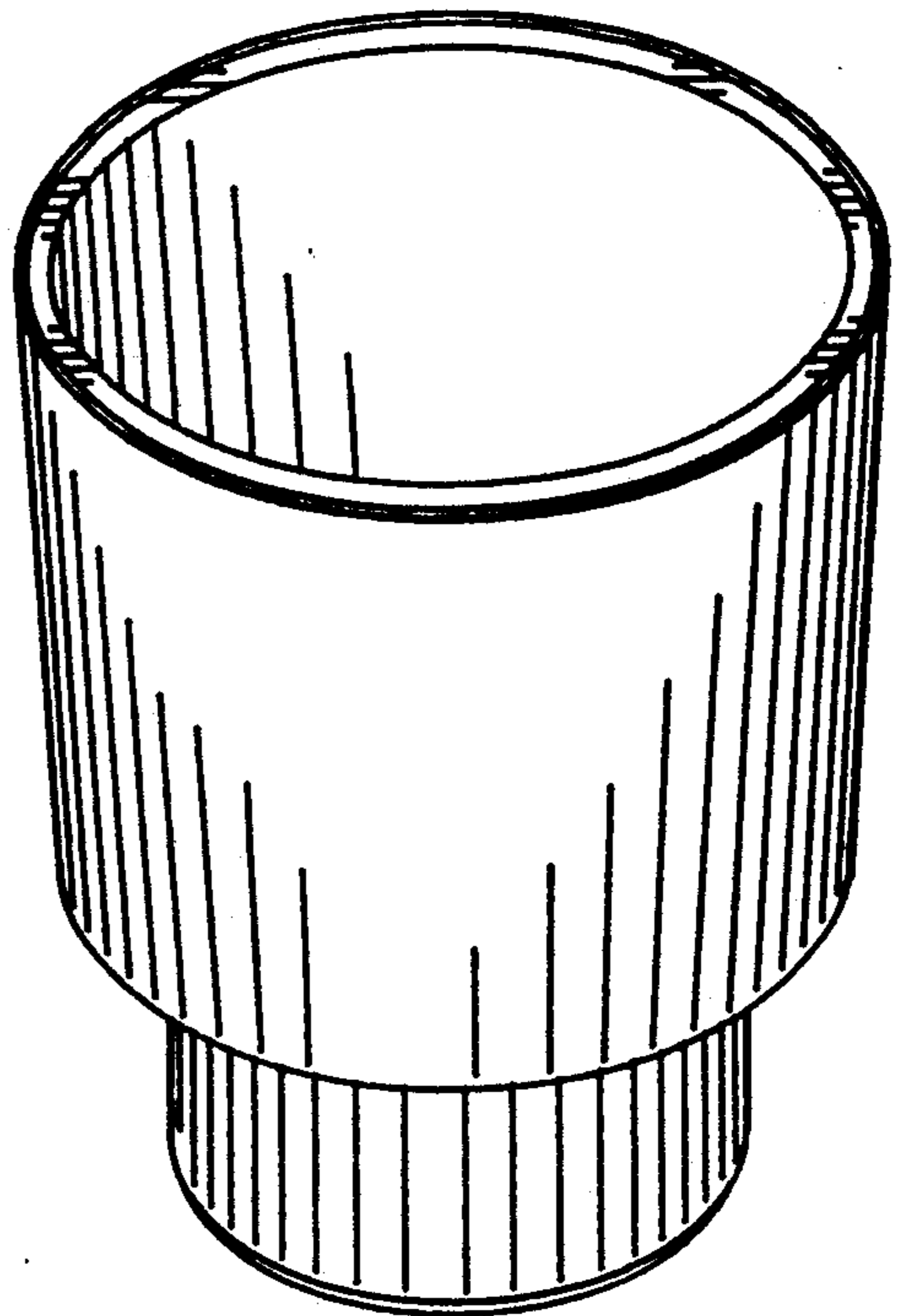


FIG. 42