



US00D338372S

United States Patent [19]

[11] Patent Number: **Des. 338,372**

Geneste

[45] Date of Patent: **** Aug. 17, 1993**

[54] SIPHON

[76] Inventor: **Philip A. Geneste**, 1240 Lake Dr.,
Newport News, Va. 23602

[**] Term: **14 Years**

[21] Appl. No.: **670,600**

[22] Filed: **Mar. 18, 1991**

[52] U.S. Cl. **D7/398; D7/300.1**

[58] Field of Search **D7/398, 397, 387, 300,
D7/300.1, 534; D9/300, 447, 448, 436;
D23/223; 222/40.13, 394; 215/4**

D. 156,703	1/1950	Croft et al.	D7/300.1 X
D. 213,489	3/1969	Foxell	D7/300.1
D. 274,499	7/1984	Soos	D9/300
2,855,127	10/1958	Lerner et al.	D9/300 X
3,324,904	6/1967	Hinz	215/4

Primary Examiner—Nelson C. Holtje
Assistant Examiner—M. N. Pandozzi
Attorney, Agent, or Firm—Terry M. Gernstein

[57] CLAIM

The ornamental design for a siphon, as shown and described.

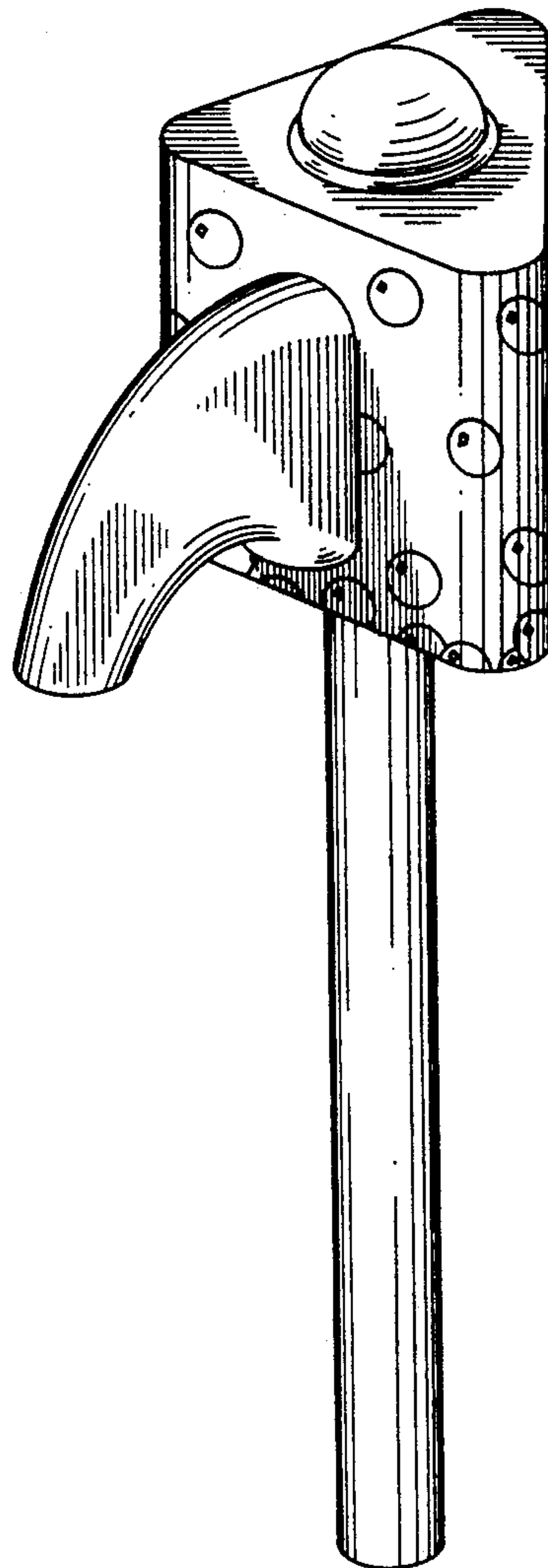
DESCRIPTION

FIG. 1 is a top, front perspective view of a siphon showing my new design;
FIG. 2 is a front elevational view thereof;
FIG. 3 is a rear elevational view thereof;
FIG. 4 is a right side elevational view, the left side elevational view being a mirror image thereof;
FIG. 5 is a top plan view thereof; and,
FIG. 6 is a bottom plan view thereof.

[56] References Cited

U.S. PATENT DOCUMENTS

D. 60,566	3/1922	Newman	D7/534 X
D. 122,785	10/1940	Ward	D7/300.1
D. 123,419	11/1940	Rigby	D7/300.1 X
D. 126,185	4/1941	Gebhaet et al.	D7/398
D. 126,188	4/1941	Gebhart et al.	D7/398
D. 126,265	4/1941	Gebhart et al.	D7/300.1 X



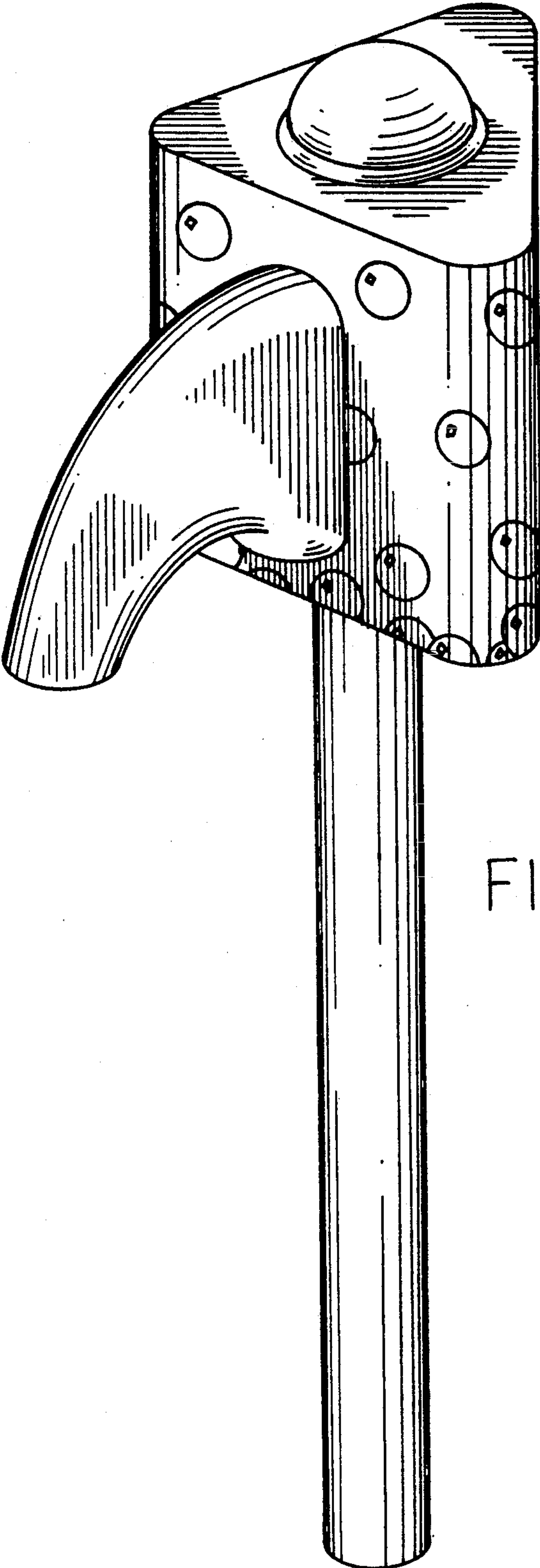


FIG.1.

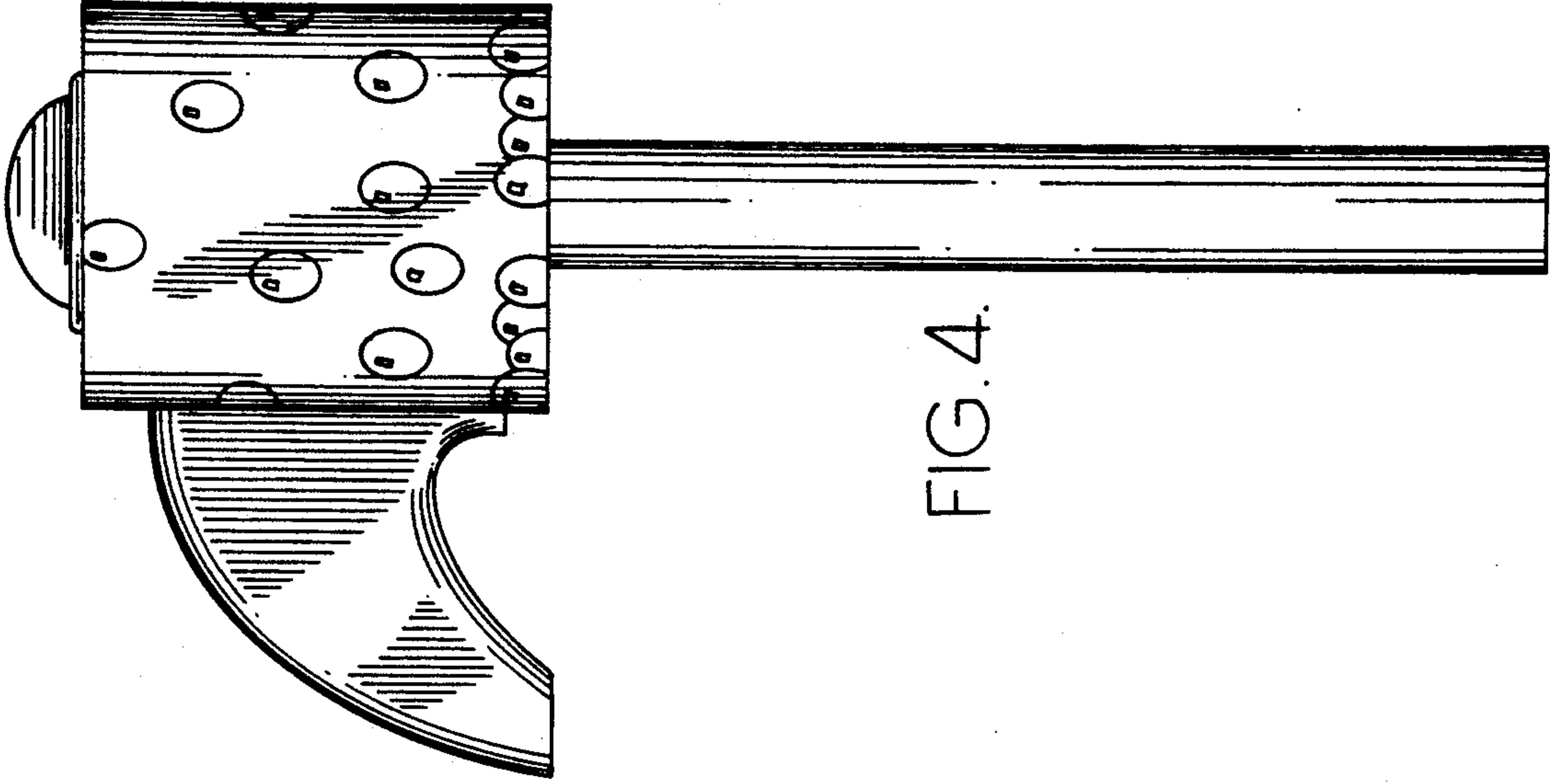


FIG. 2.

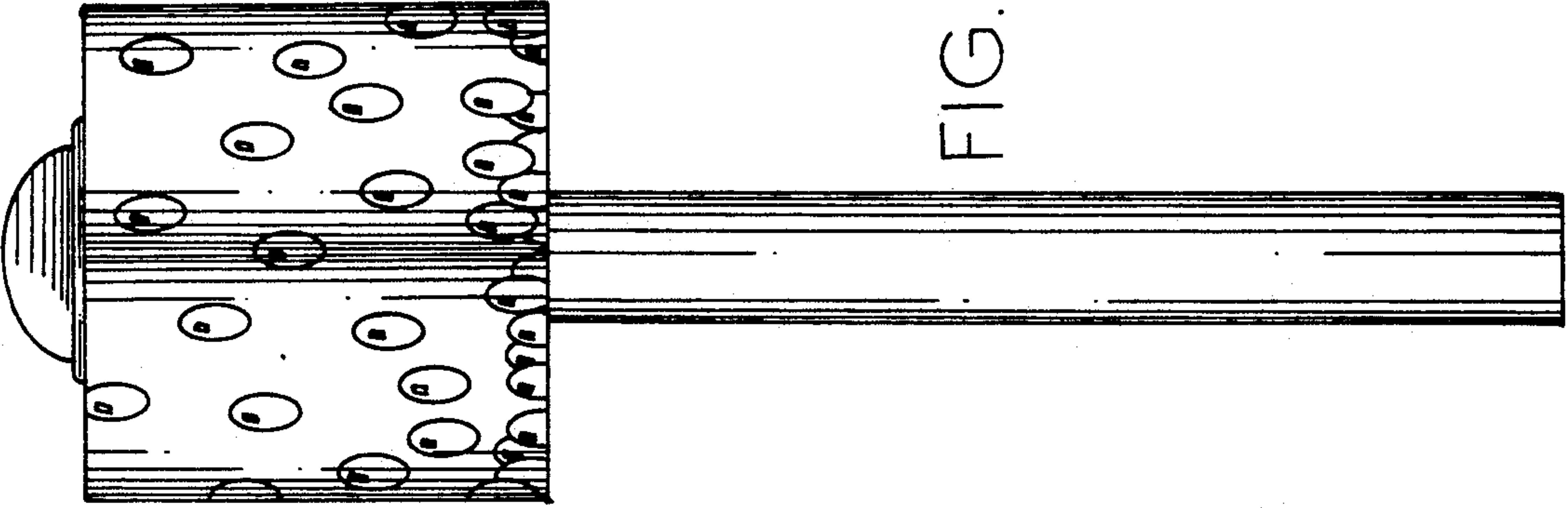


FIG. 3.

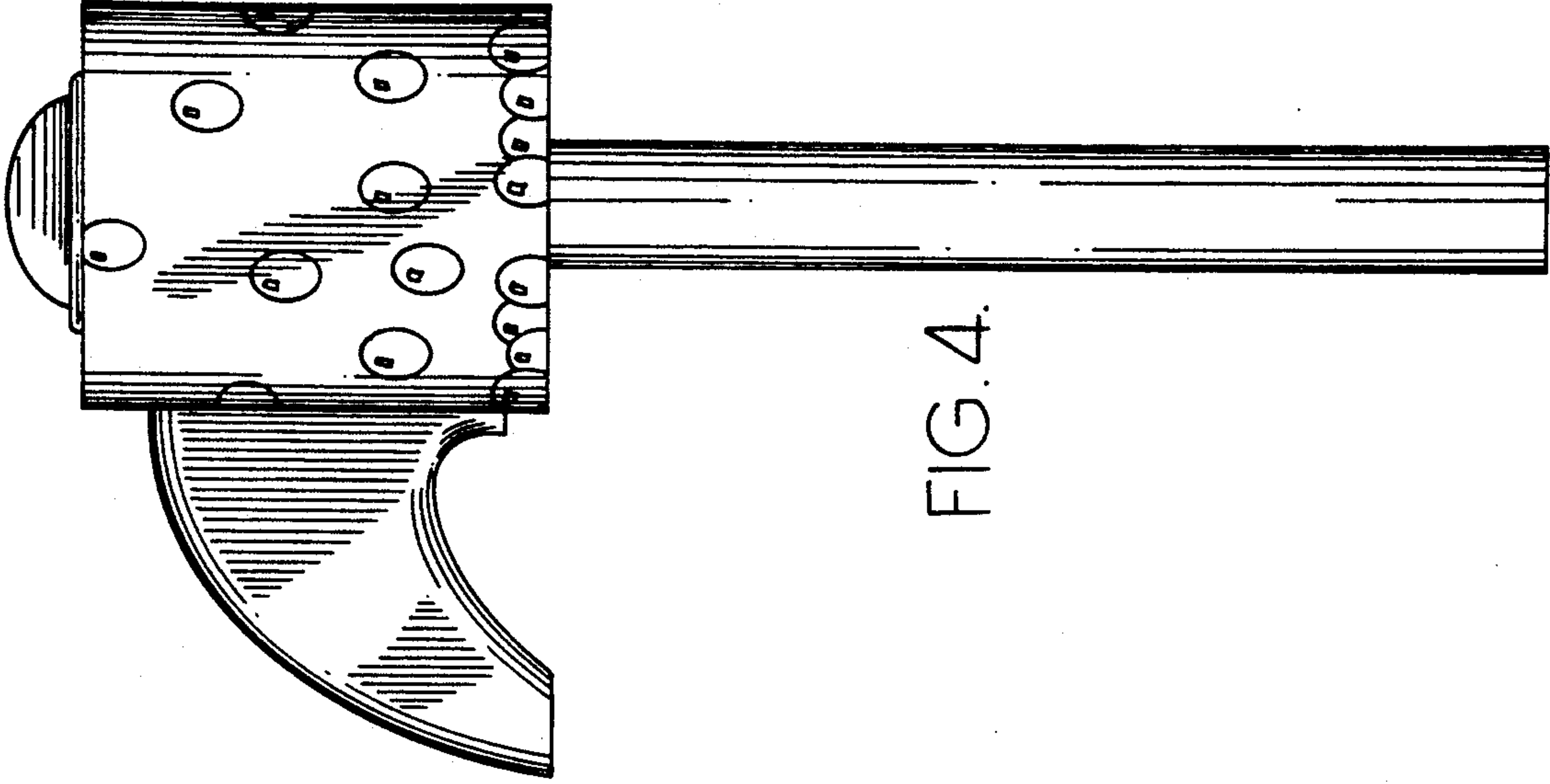


FIG. 4.

FIG. 6.

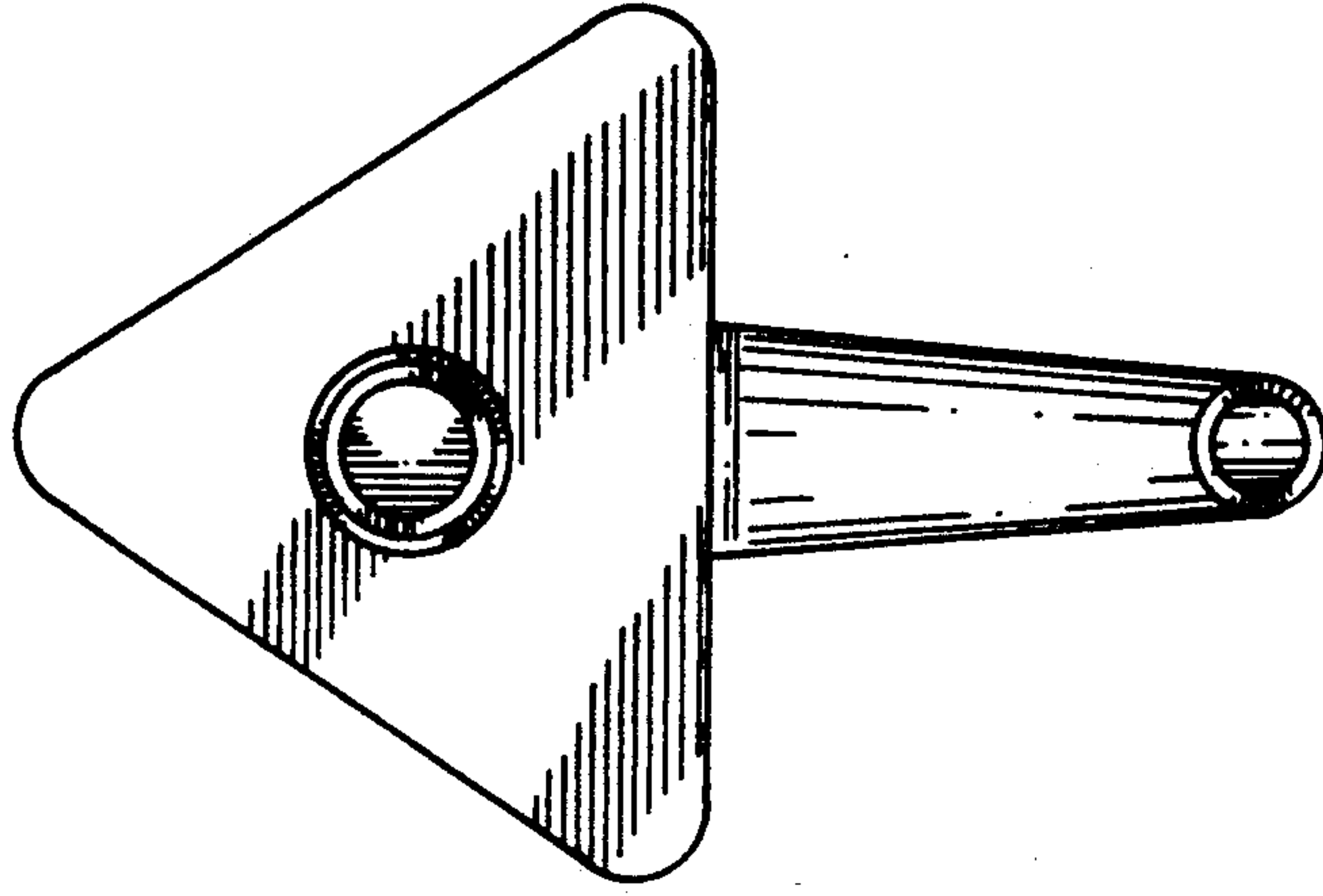


FIG. 5.

