



US00D338370S

# United States Patent [19]

[11] Patent Number: **Des. 338,370**

**Takeda**

[45] Date of Patent: **\*\* Aug. 17, 1993**

[54] **COOKPOT**

[75] Inventor: **Teruhiko Takeda, Toyonaka, Japan**

[73] Assignee: **Kabushiki Kaisha Osaka Lunch, Osaka, Japan**

[\*\*] Term: **14 Years**

[21] Appl. No.: **648,432**

[22] Filed: **Dec. 27, 1990**

[30] **Foreign Application Priority Data**

Oct. 8, 1990 [JP] Japan ..... 2-33830

[52] U.S. Cl. .... **D7/356; D7/360**

[58] Field of Search ..... **D7/323, 354-357, D7/360, 393, 394; 126/377, 385, 373; 99/324, 325, 339; 220/428, 912**

[56] **References Cited**

**U.S. PATENT DOCUMENTS**

D. 38,889	11/1907	Strassburger et al. ....	D7/355
D. 55,366	6/1920	Churchill .....	D7/354
D. 212,704	11/1968	Benes .....	D7/360
D. 215,469	9/1969	Gulotta .....	D7/360
D. 246,819	1/1978	Breger .....	D7/360 X
D. 269,319	6/1983	Fox .....	D7/355 X
D. 273,755	5/1984	ThurLOW .....	D7/359
1,334,930	3/1920	Chadwick .....	126/377
3,508,485	4/1970	Munsey .....	D7/355 X

*Primary Examiner*—Nelson C. Holtje  
*Assistant Examiner*—Caron D. Veynar  
*Attorney, Agent, or Firm*—Leydig, Voit & Mayer

[57] **CLAIM**

The ornamental design for a cookpot, as shown.

**DESCRIPTION**

FIG. 1 is a front view of the cookpot in accordance with my new design;

FIG. 2 is a right side elevational view, the left side elevational view being a mirror image thereof;

FIG. 3 is a top plan view thereof;

FIG. 4 is a bottom view thereof;

FIG. 5 is a perspective view thereof;

FIG. 6 is a front view of the tray shown separately for ease of illustration;

FIG. 7 is a right side elevational view, the left side elevational view being a mirror image thereof;

FIG. 8 is a perspective view thereof;

FIG. 9 is a perspective view thereof in a state where the two grips for holding the tray with both hands are raised;

FIG. 10 is a perspective view of the cookpot itself;

FIG. 11 is a side view of the lid, all other sides being identical. The lid shown separately for ease of illustration; and,

FIG. 12 is a perspective view thereof.

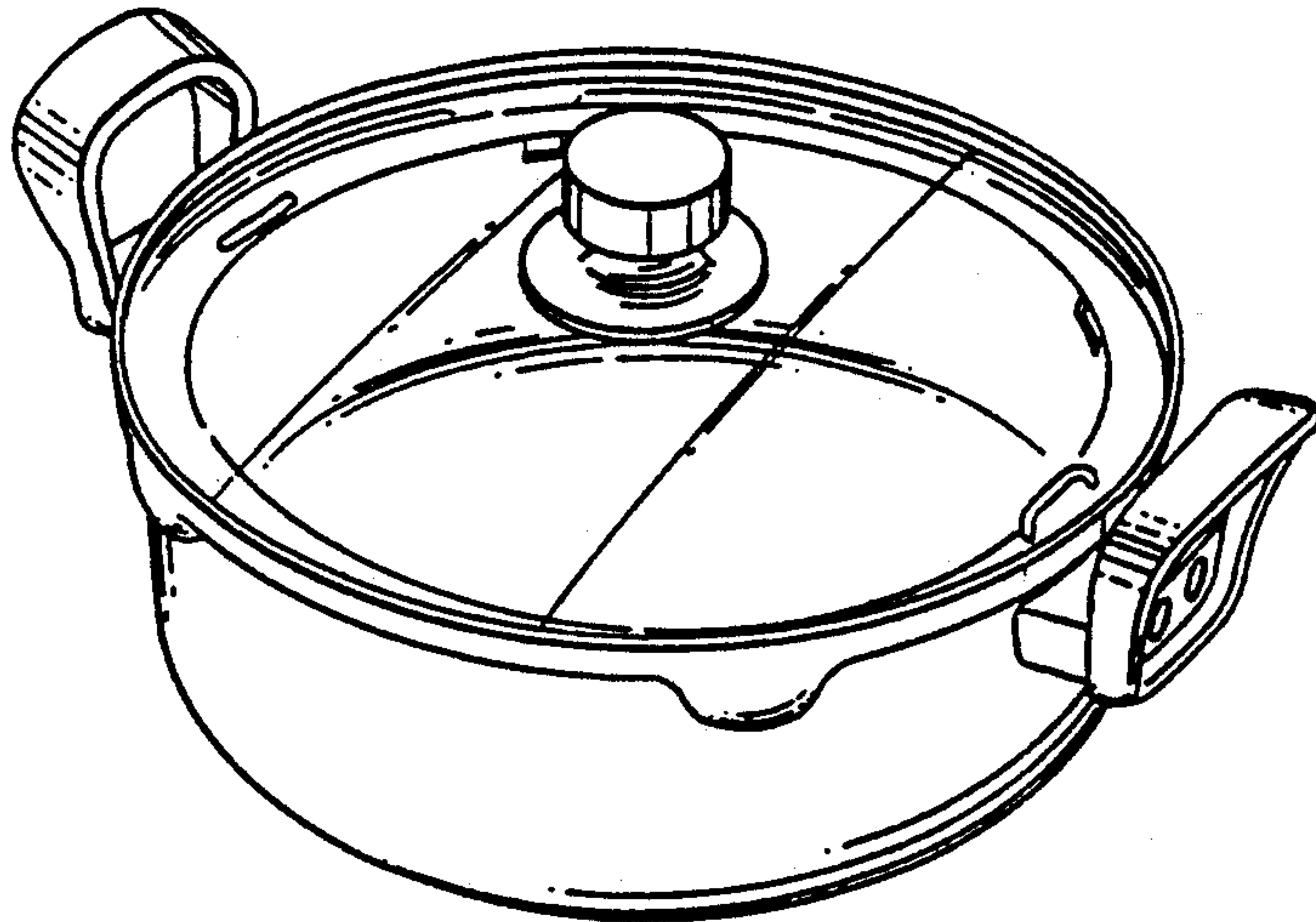


FIG. 1

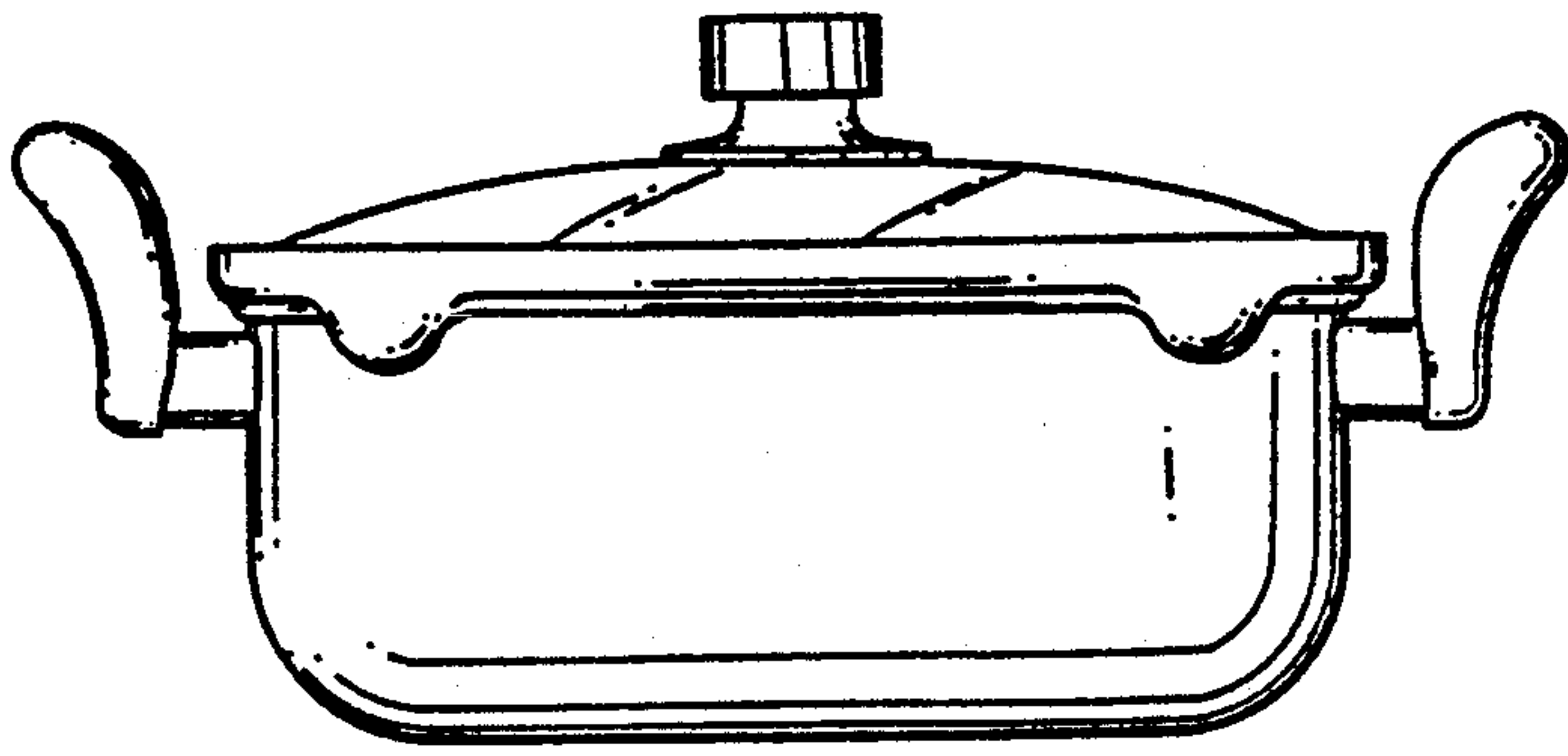


FIG. 2

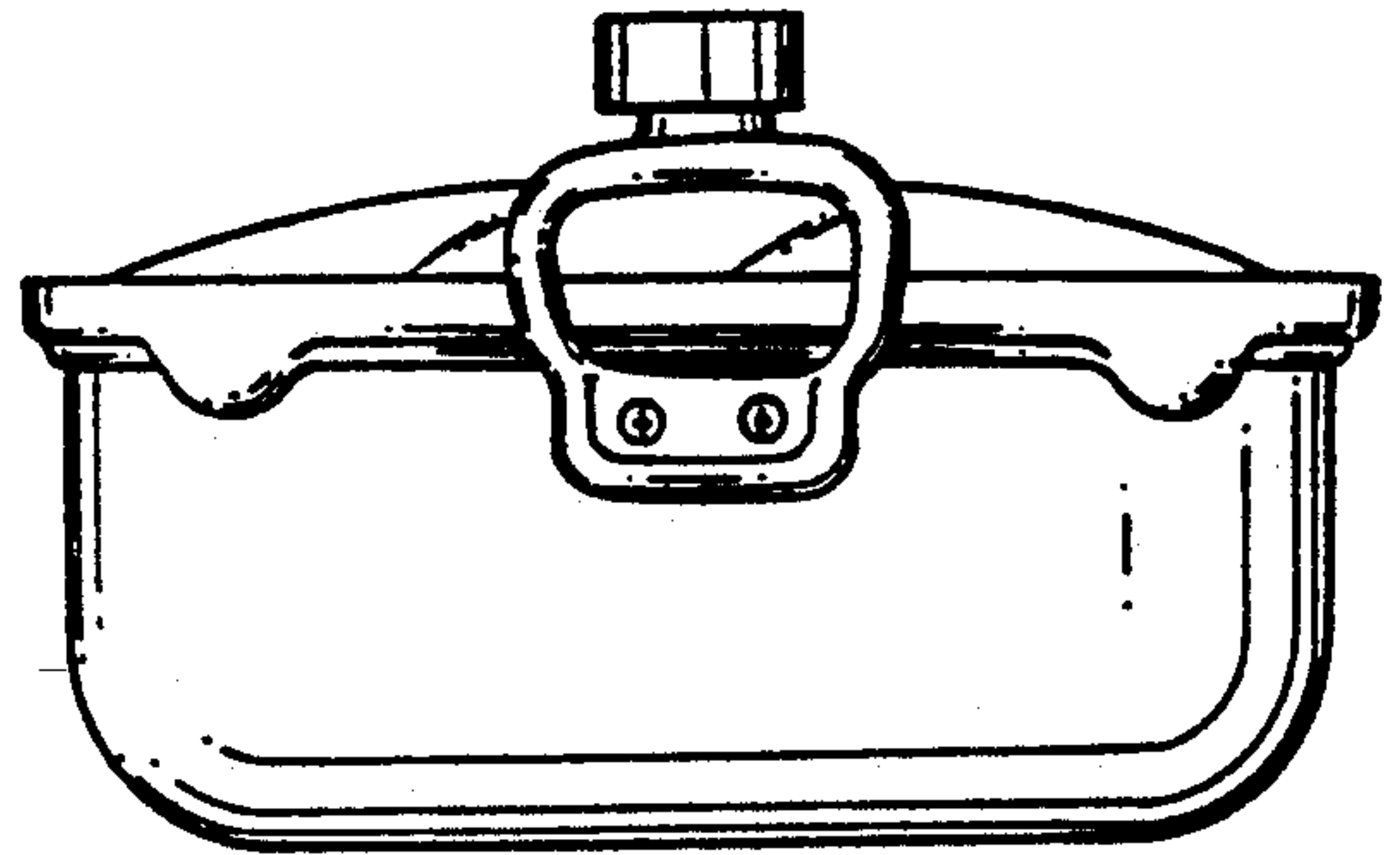


FIG. 3

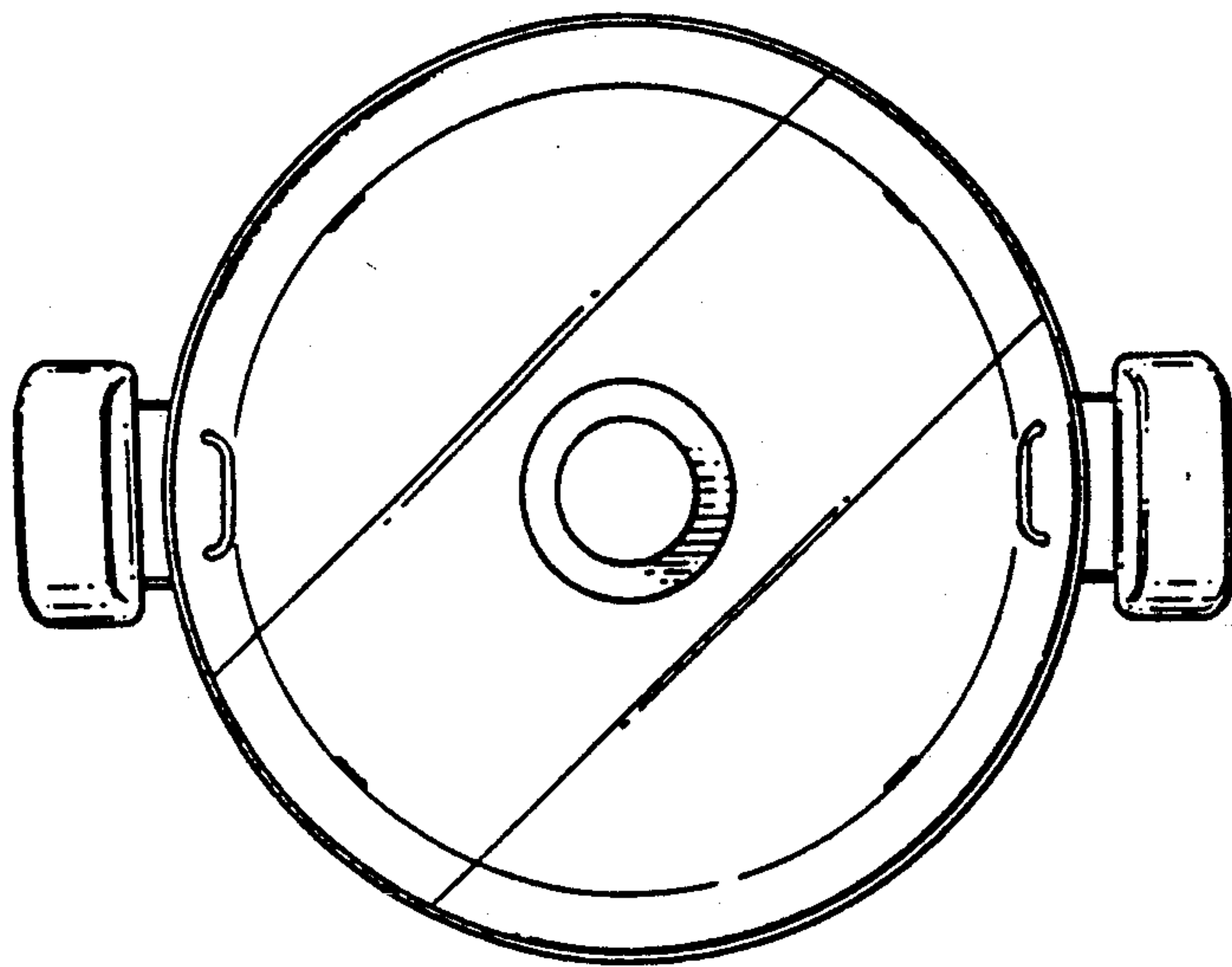


FIG. 4

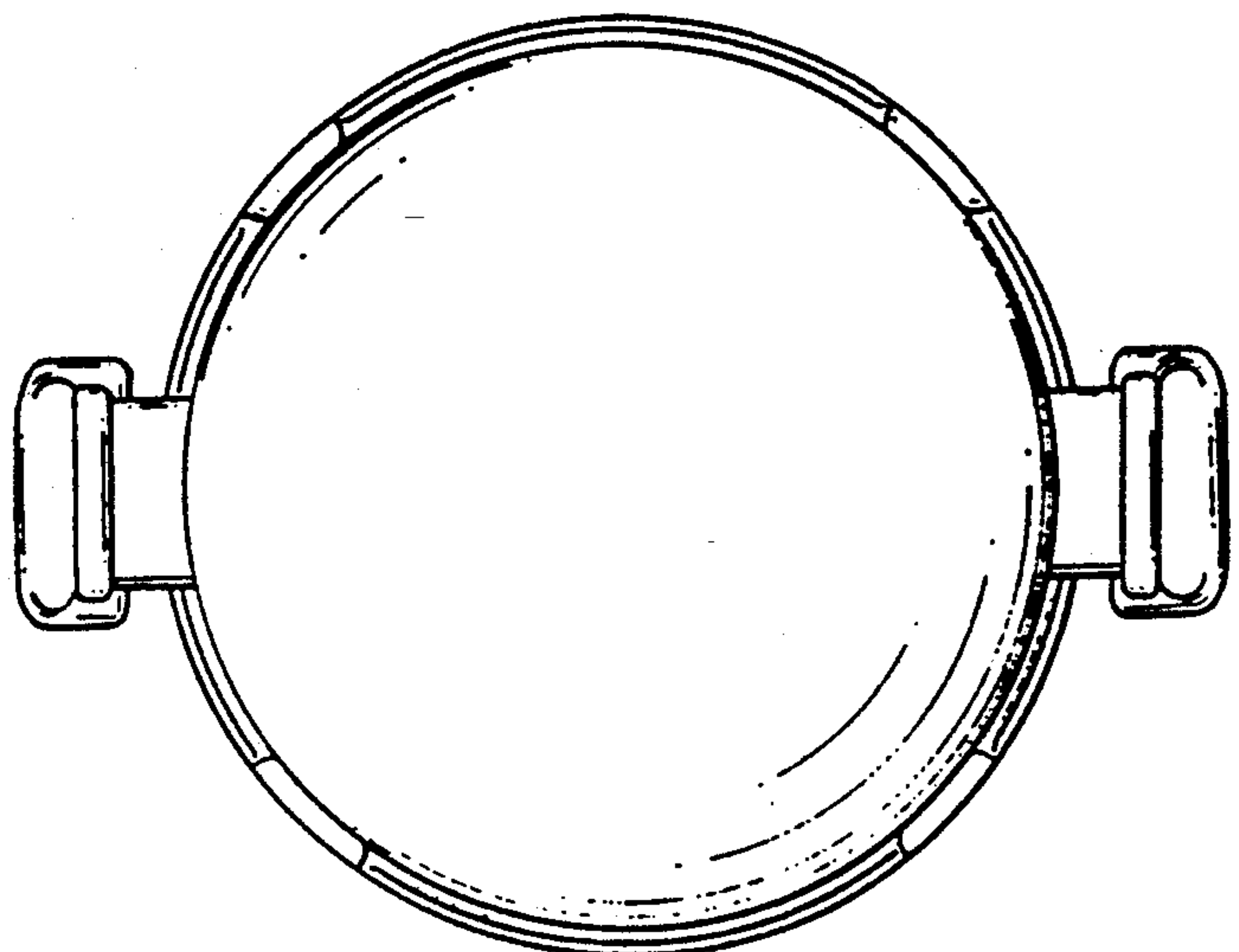


FIG. 5

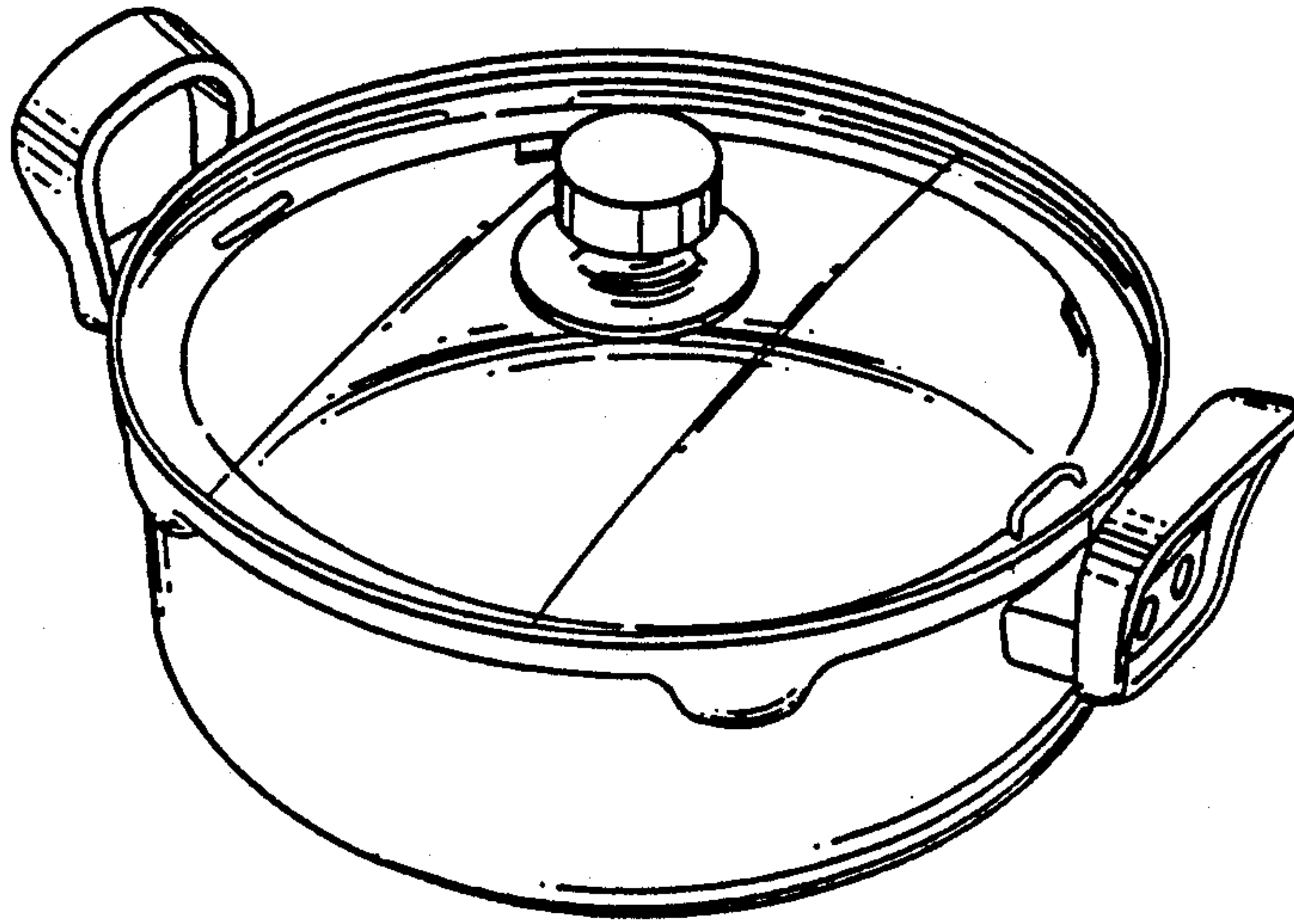


FIG. 6

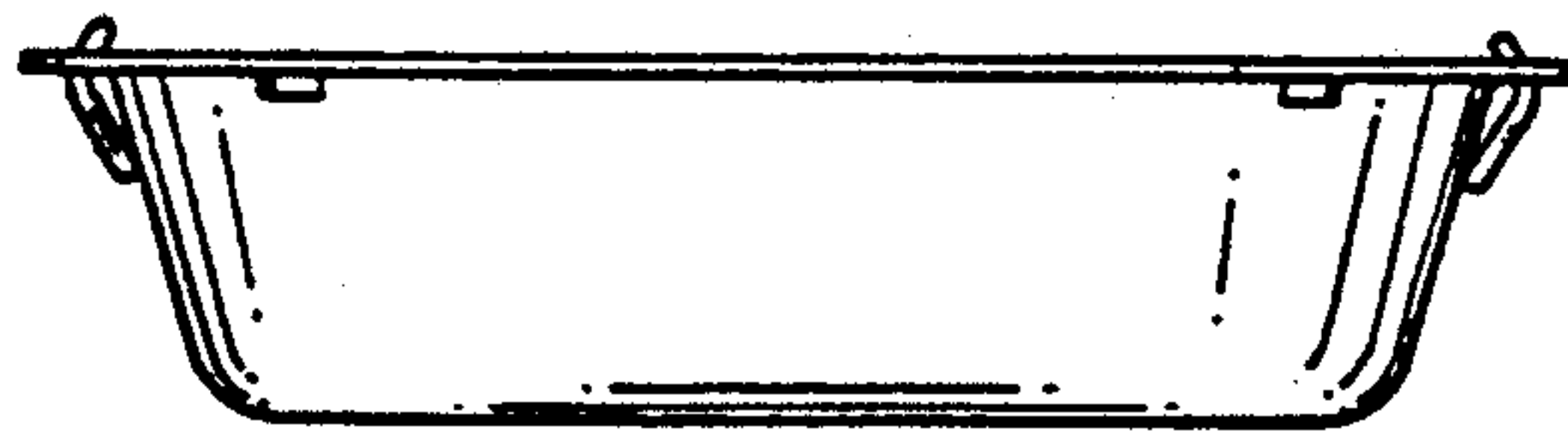


FIG. 7

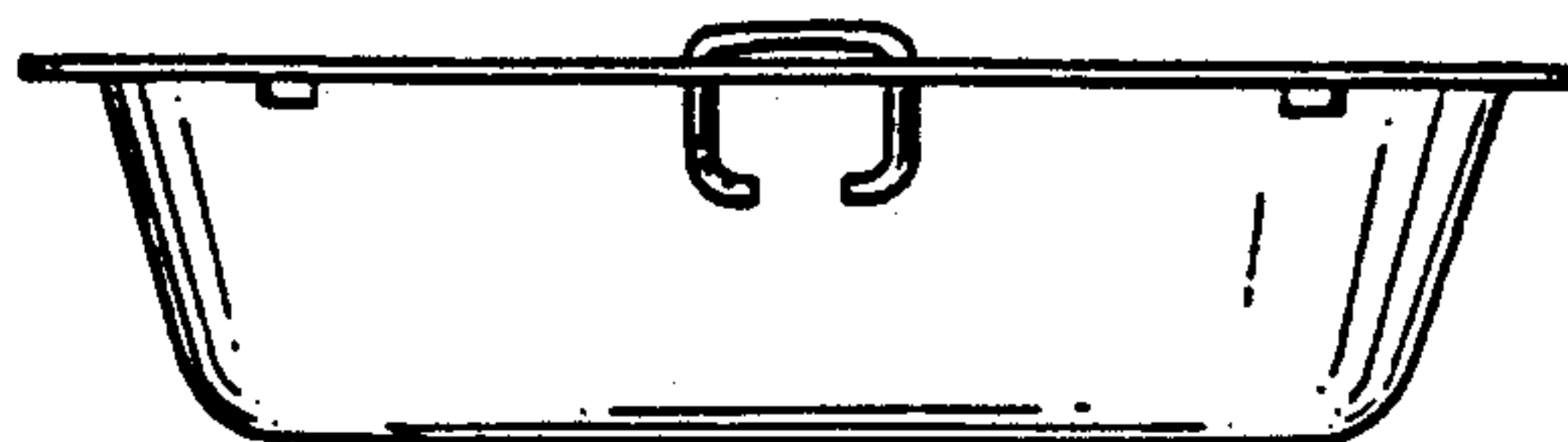


FIG. 8

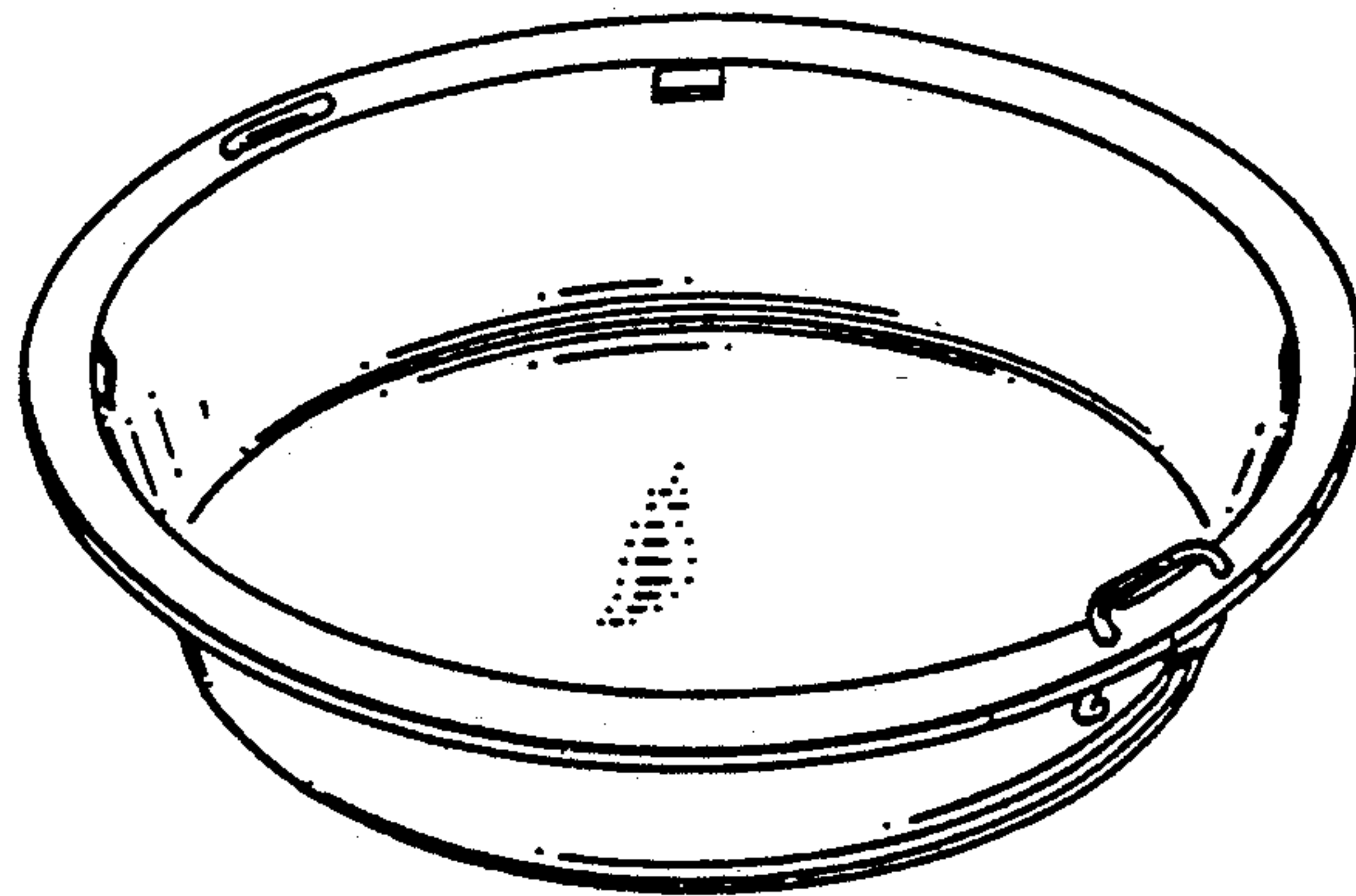


FIG. 9

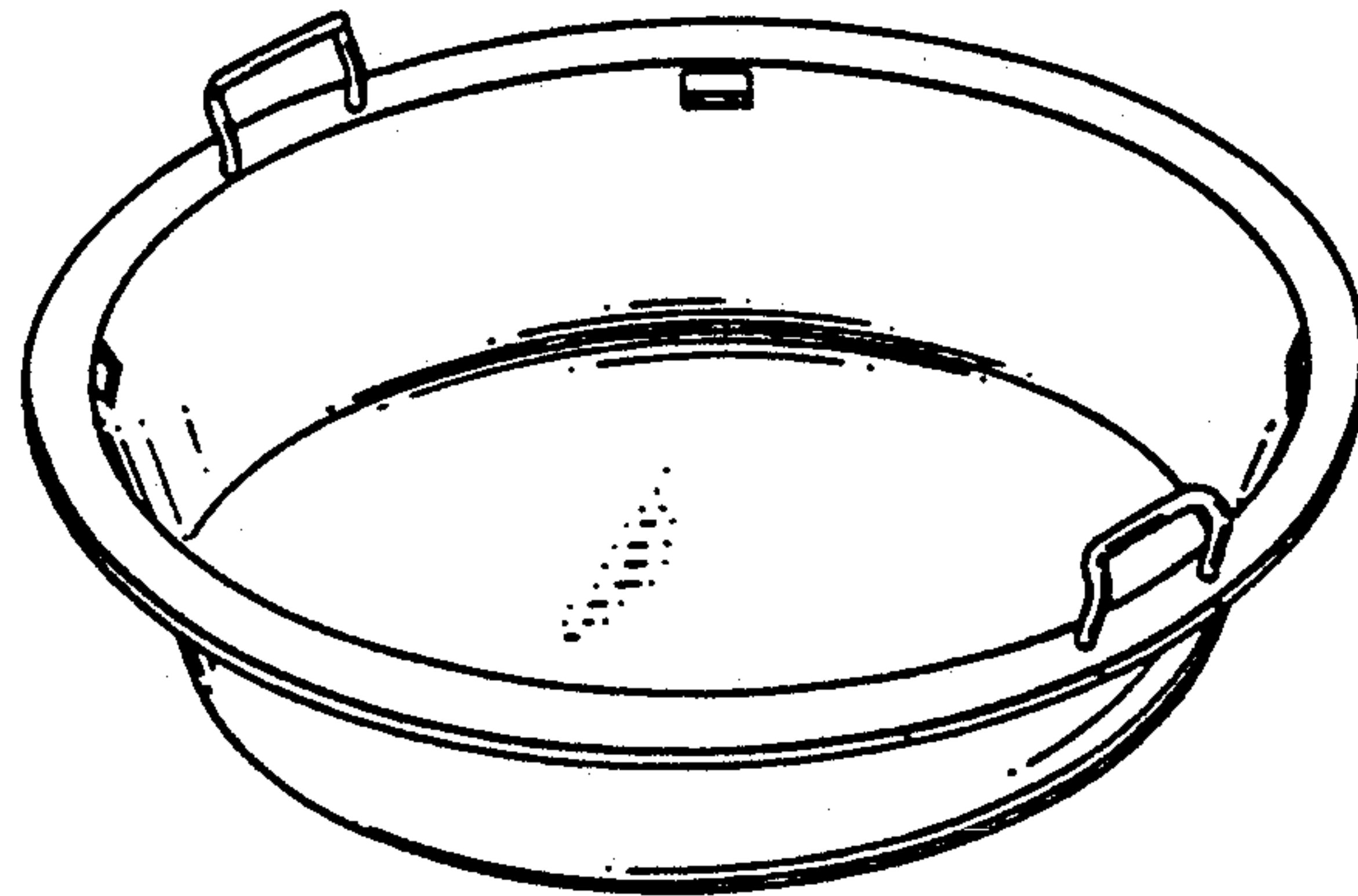




FIG. 10

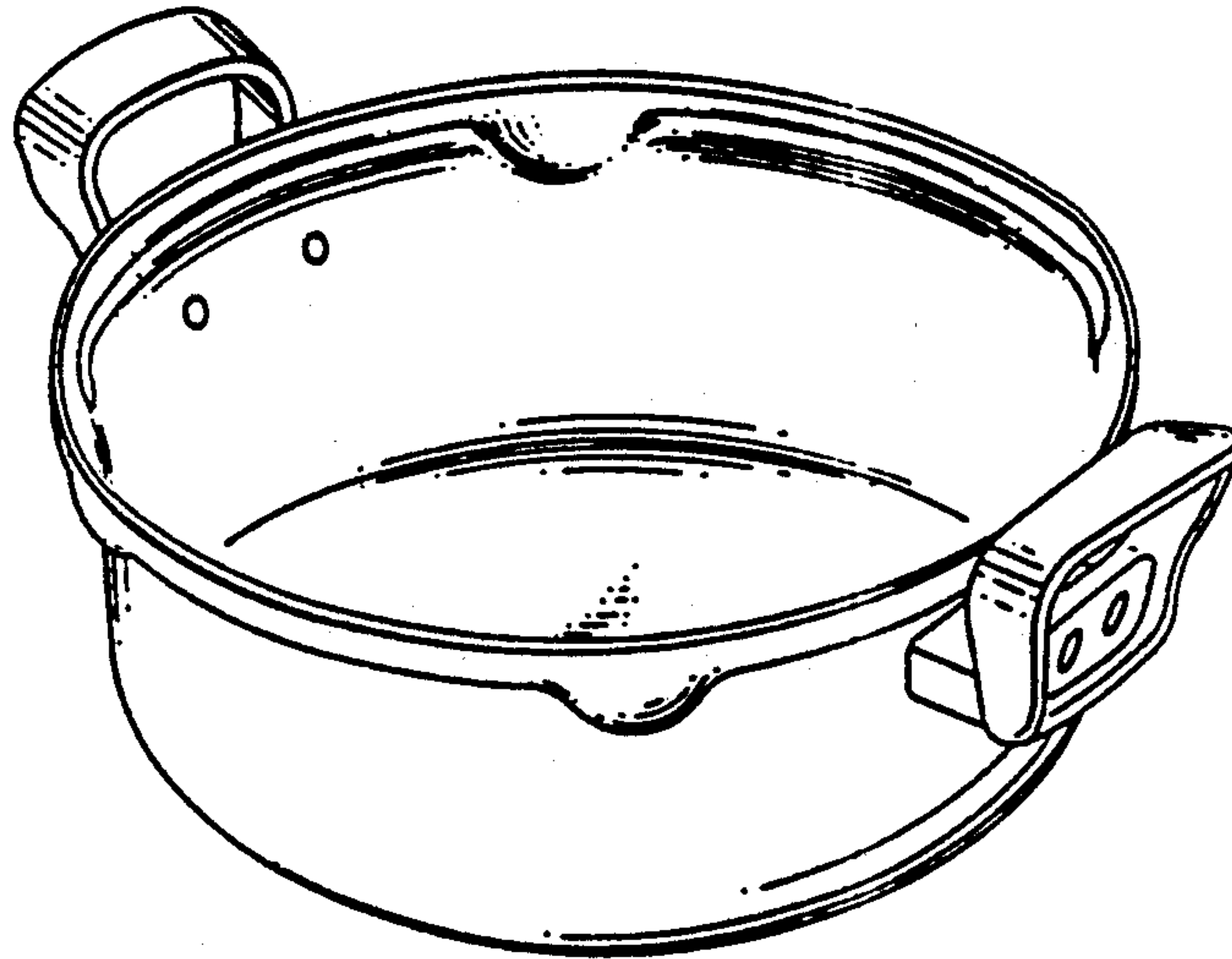


FIG. 11

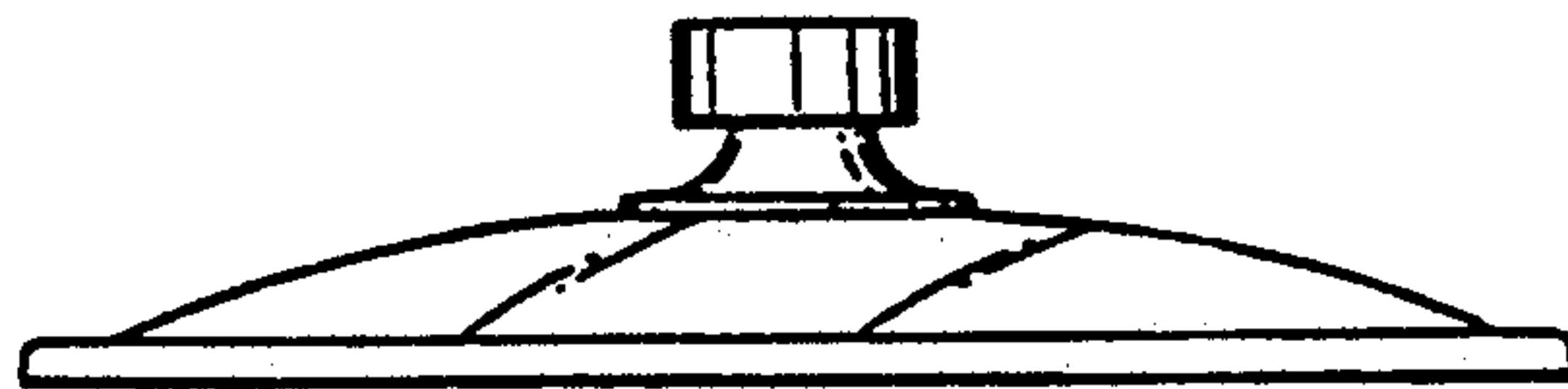


FIG. 12

