



US00D338369S

United States Patent [19]

[11] Patent Number: **Des. 338,369**

Brefka

[45] Date of Patent: **** Aug. 17, 1993**

[54] **GRILLING APPARATUS**

[75] Inventor: **Paul Brefka, Southborough, Mass.**

[73] Assignee: **Creative Technologies Corp.,
Brooklyn, N.Y.**

[**] Term: **14 Years**

[21] Appl. No.: **809,075**

[22] Filed: **Dec. 16, 1991**

[52] U.S. Cl. **D7/352; D7/323;
D7/354**

[58] Field of Search **D7/323, 328-330,
D7/352, 353; 99/372, 374, 376, 377, 379;
219/524, 525**

[56] **References Cited**

U.S. PATENT DOCUMENTS

- D. 78,839 6/1929 Reichold D7/352
- D. 79,157 8/1929 Meehan D7/352
- D. 207,567 5/1967 Helgeson D7/323

- D. 213,931 4/1969 Bardeau D7/352
- D. 232,012 7/1974 Bardeau D7/352
- D. 266,306 9/1982 Ansel D7/352
- D. 274,113 6/1984 Steinkamp D7/352

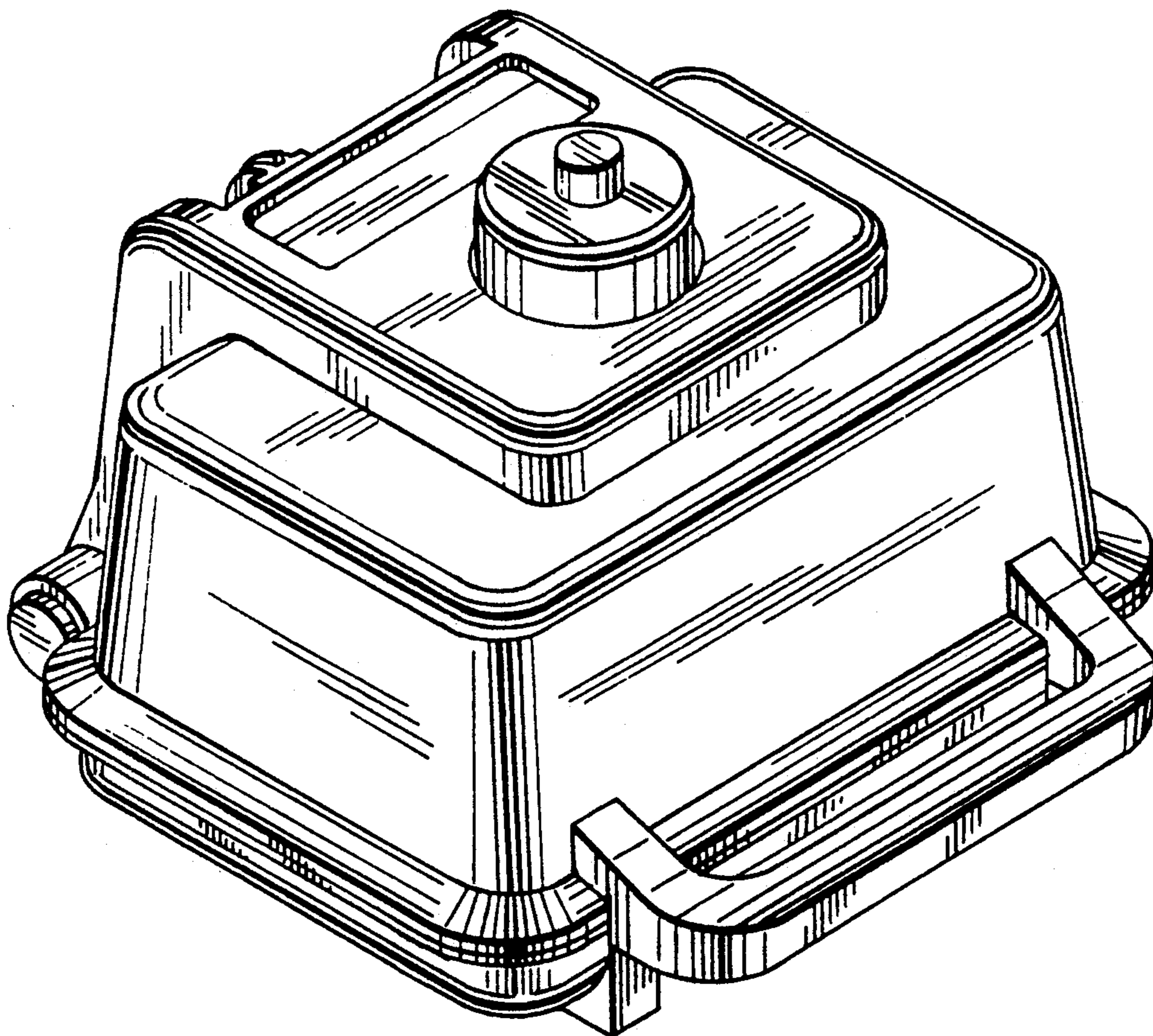
Primary Examiner—Alan P. Douglas
Assistant Examiner—Caron D. Veynar
Attorney, Agent, or Firm—Helfgott & Karas

[57] **CLAIM**

The ornamental design for a grilling apparatus, as shown.

DESCRIPTION

FIG. 1 is a front and left side prospective view of the grilling apparatus showing my new design;
FIG. 2 is a top view thereof;
FIG. 3 is a front view thereof;
FIG. 4 is a right side view thereof, the left side view being identical thereto;
FIG. 5 is a rear view thereof; and,
FIG. 6 is a bottom view thereof.



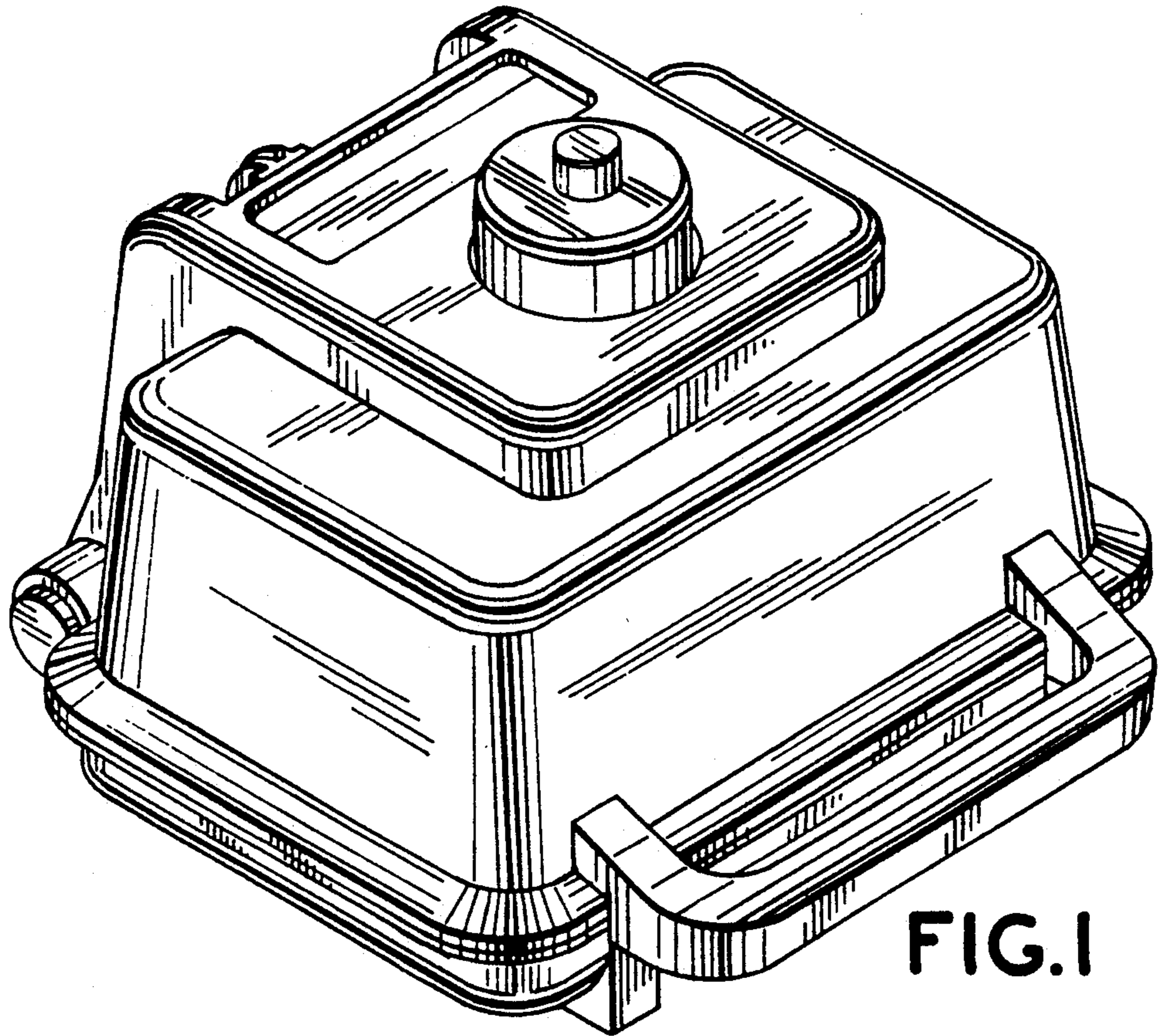


FIG. 1

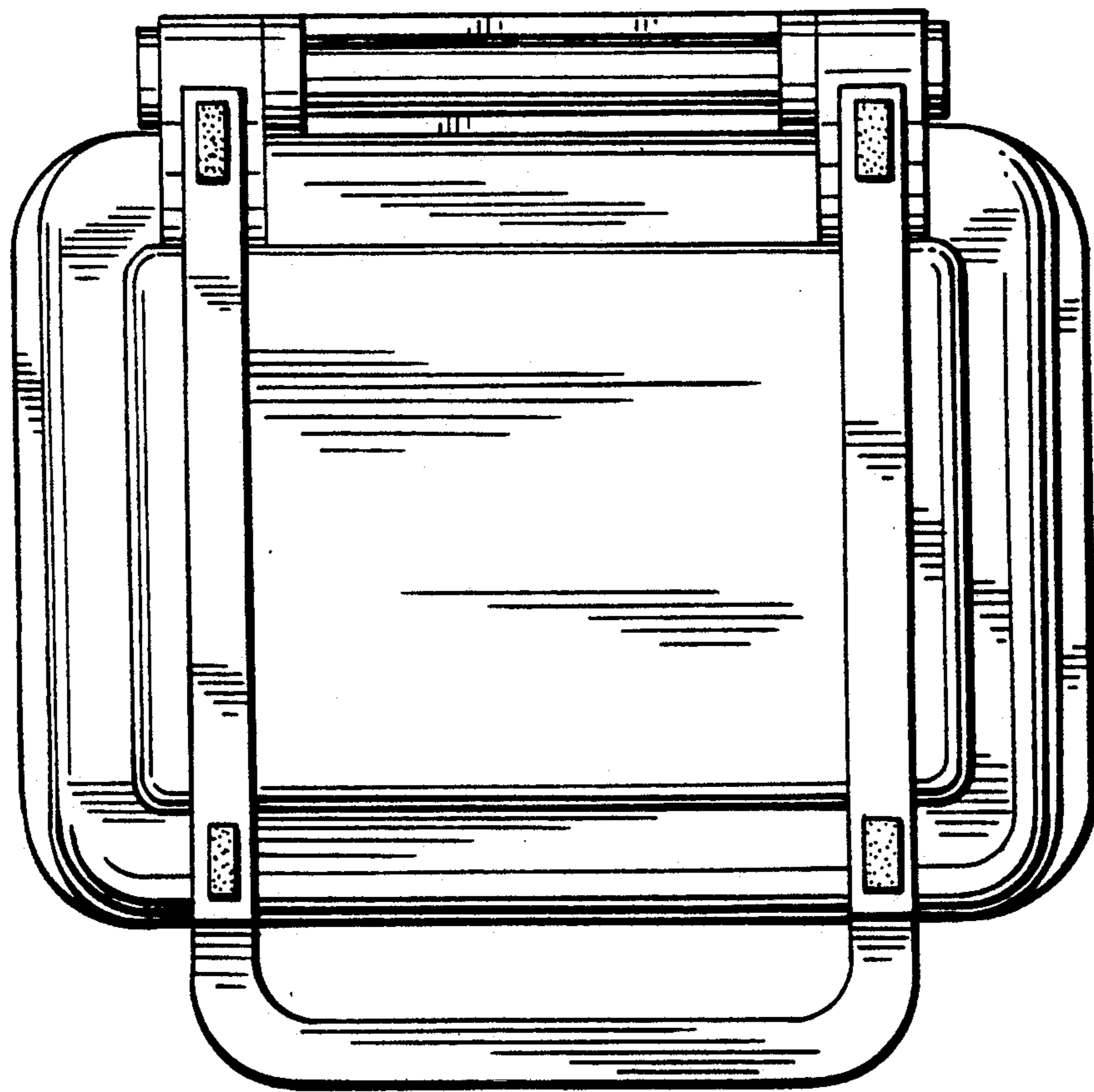


FIG. 6

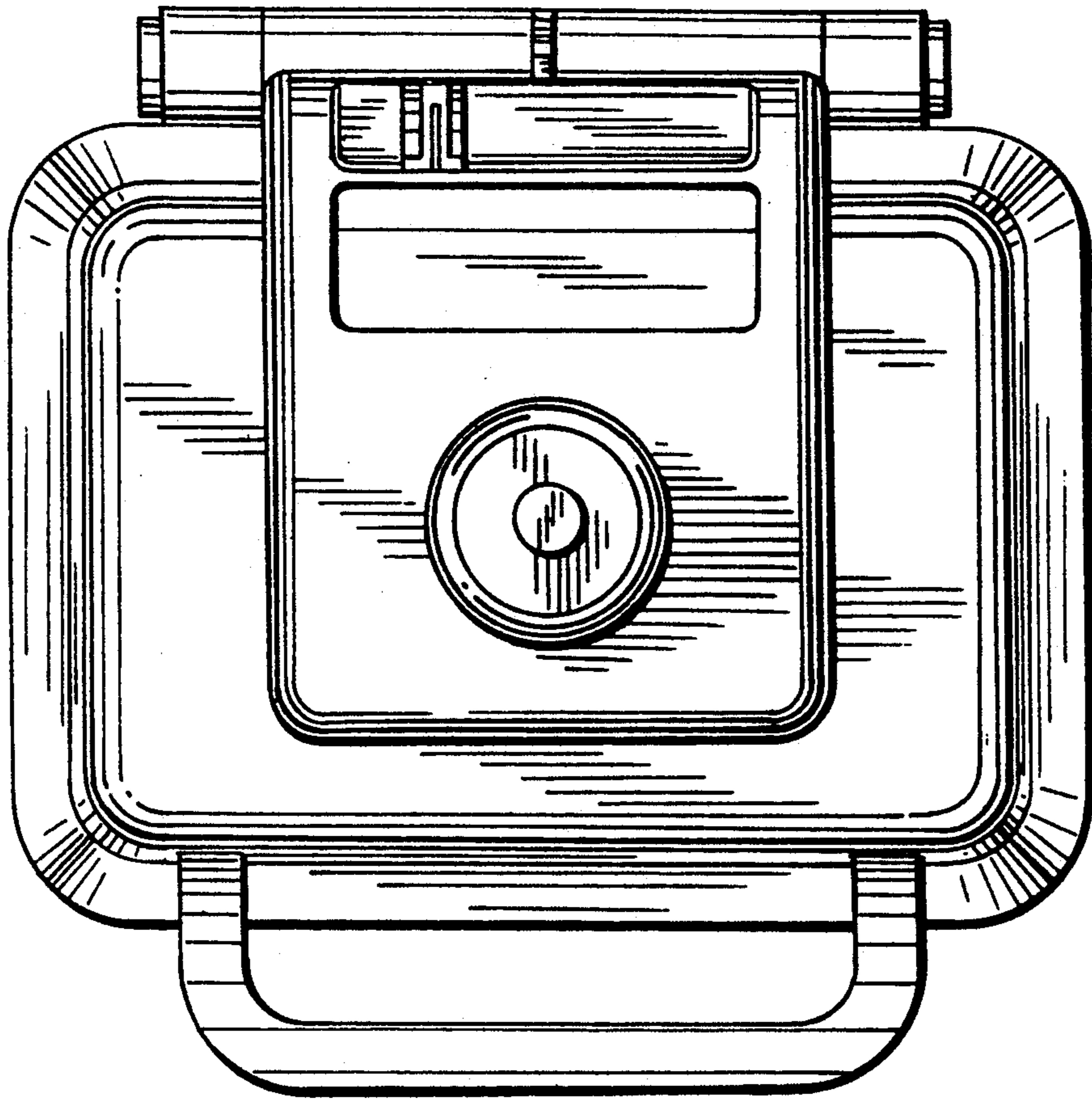


FIG. 2

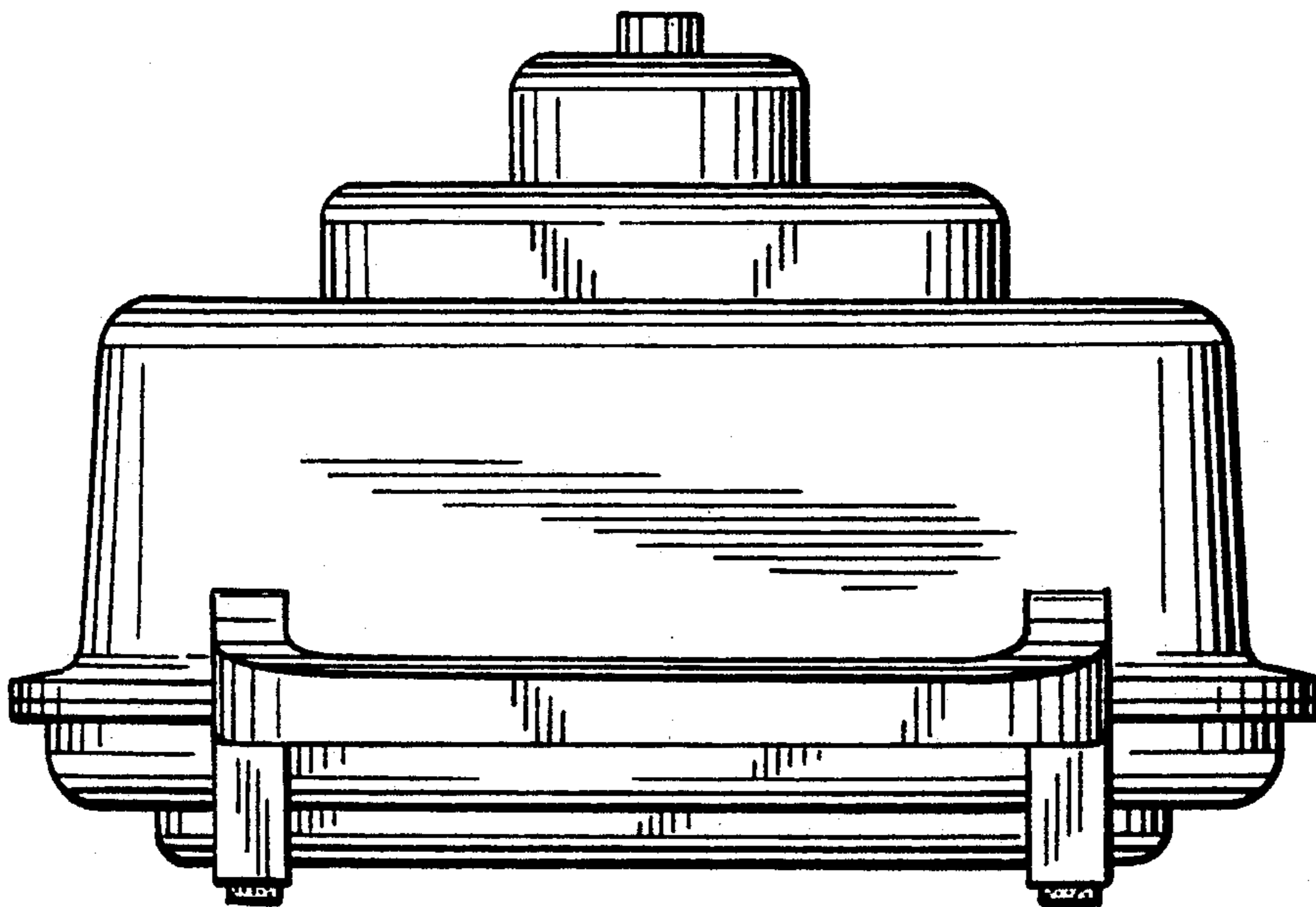


FIG. 3

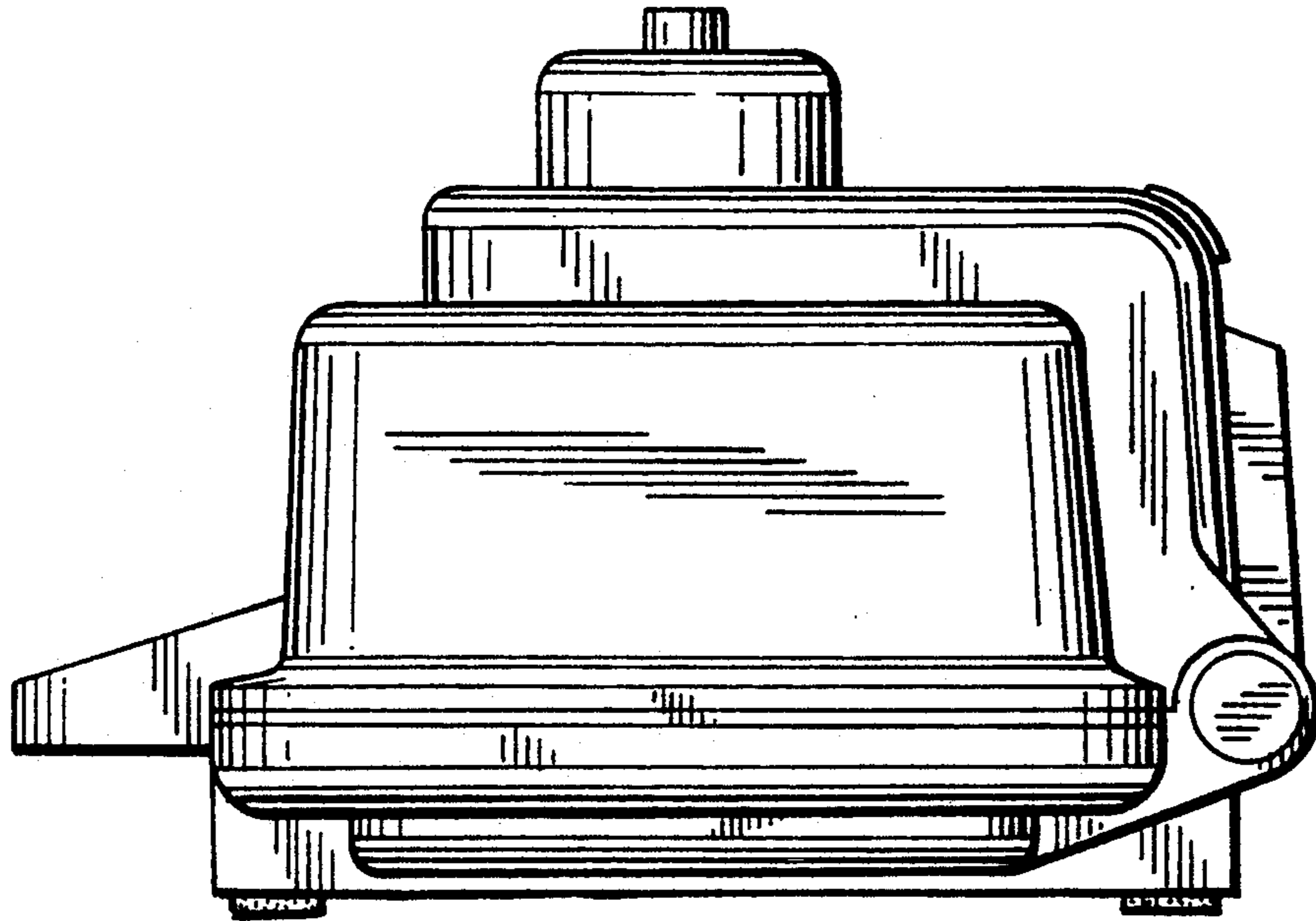


FIG. 4

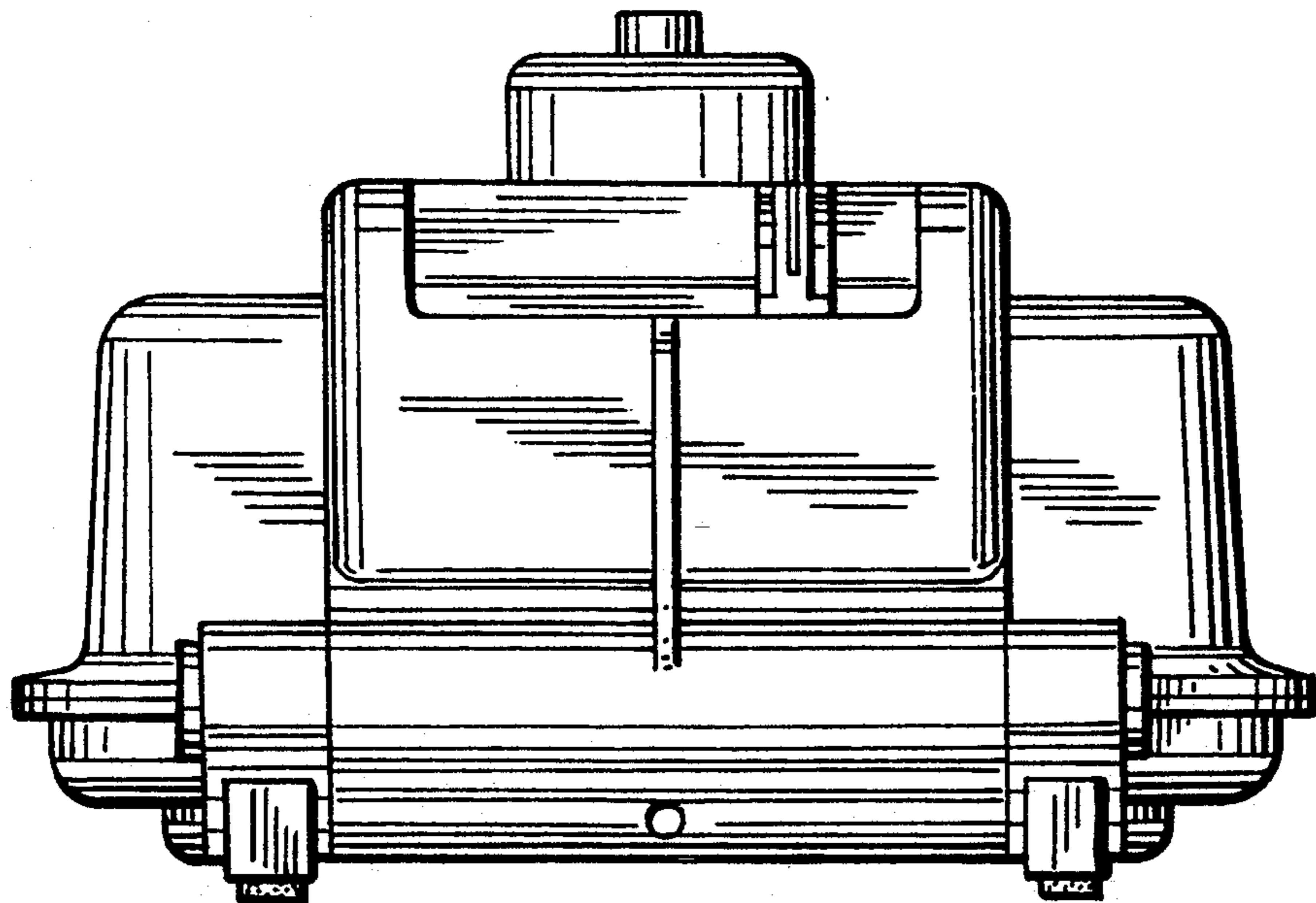


FIG. 5