



US00D338367S

United States Patent [19]

[11] Patent Number: **Des. 338,367**

Fonville

[45] Date of Patent: **** Aug. 17, 1993**

[54] INSULATED PITCHER

[75] Inventor: **Fred S. Fonville, Stephens City, Va.**

[73] Assignee: **Rubbermaid Commercial Products Inc., Winchester, Va.**

[**] Term: **14 Years**

[21] Appl. No.: **357,307**

[22] Filed: **May 26, 1989**

[52] U.S. Cl. **D7/317; D7/316; D7/318**

[58] Field of Search **D7/317, 319, 312, 316, D7/300, 318, 510, 511, 608, 605, 622, 321, 322; 222/465.1**

[56] References Cited

U.S. PATENT DOCUMENTS

D. 44,026	5/1913	Sanford	D7/317
D. 189,714	2/1961	Ebstein	D7/317 X
D. 203,852	2/1966	Douglas	D7/317
D. 232,411	8/1974	Douglas et al.	D7/608 X
D. 254,240	2/1980	Morin	D7/321
4,655,373	4/1987	Essen	D7/317 X

FOREIGN PATENT DOCUMENTS

1047931	11/1966	United Kingdom	D7/317 X
---------	---------	----------------	-------	----------

OTHER PUBLICATIONS

Abitare 204, May 1982, Page-Rear Cover "Alessi", Beverage Pot/Cover Shown.

Pp. 18, 19 & 32, *The Vollrath Company*, PO Box 611, Sheboygan, Wis. 53082-0611. Publication Date Unknown.

Sell Sheet, *Service Ideas, Inc.*, 24 South 6th Street, Minneapolis, Minn. 55402. Publication Date Unknown.

P. 27, *Cambro Manufacturing Co.*, 7601 Clay Avenue, PO Box 2000, Huntington Beach, Calif. 92647-2000. Publication Date Unknown.

P. 16, *Rubbermaid Commercial Products Inc.*, 3124 Valley Avenue, Winchester, Va. 22601. Publication Date 1987.

Primary Examiner—Nelson C. Holtje

Assistant Examiner—Caron D. Veynar

Attorney, Agent, or Firm—Richard B. O'Planick

[57] CLAIM

The ornamental design for an insulated pitcher, as shown and described.

DESCRIPTION

FIG. 1 is a left, front and top perspective view of an insulated pitcher showing my new design;

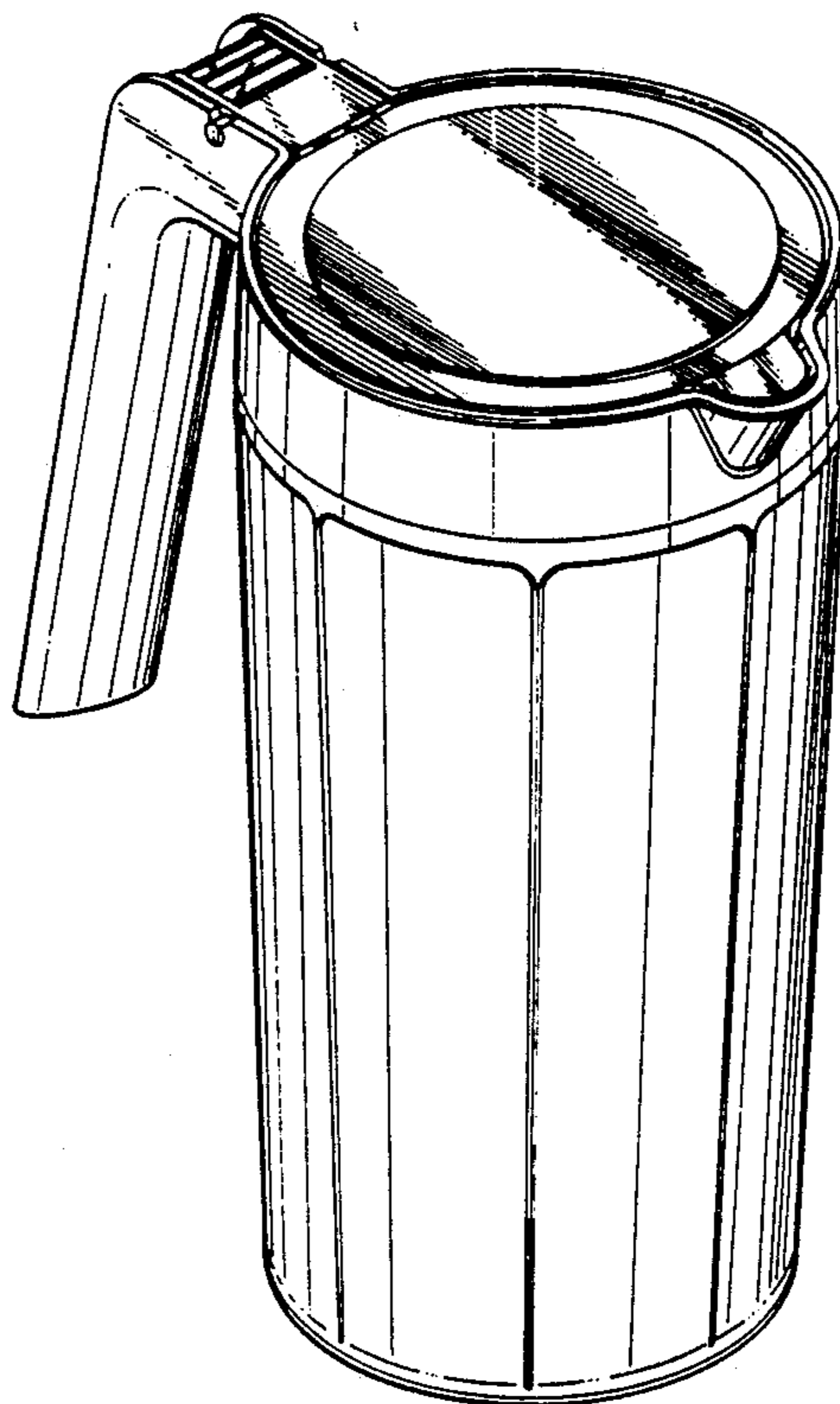
FIG. 2 is a bottom plan view thereof;

FIG. 3 is a top plan view thereof;

FIG. 4 is a front elevational view thereof;

FIG. 5 is a rear elevational view thereof; and,

FIG. 6 is a left side elevational view thereof, the right side elevational view being a mirror image thereof.



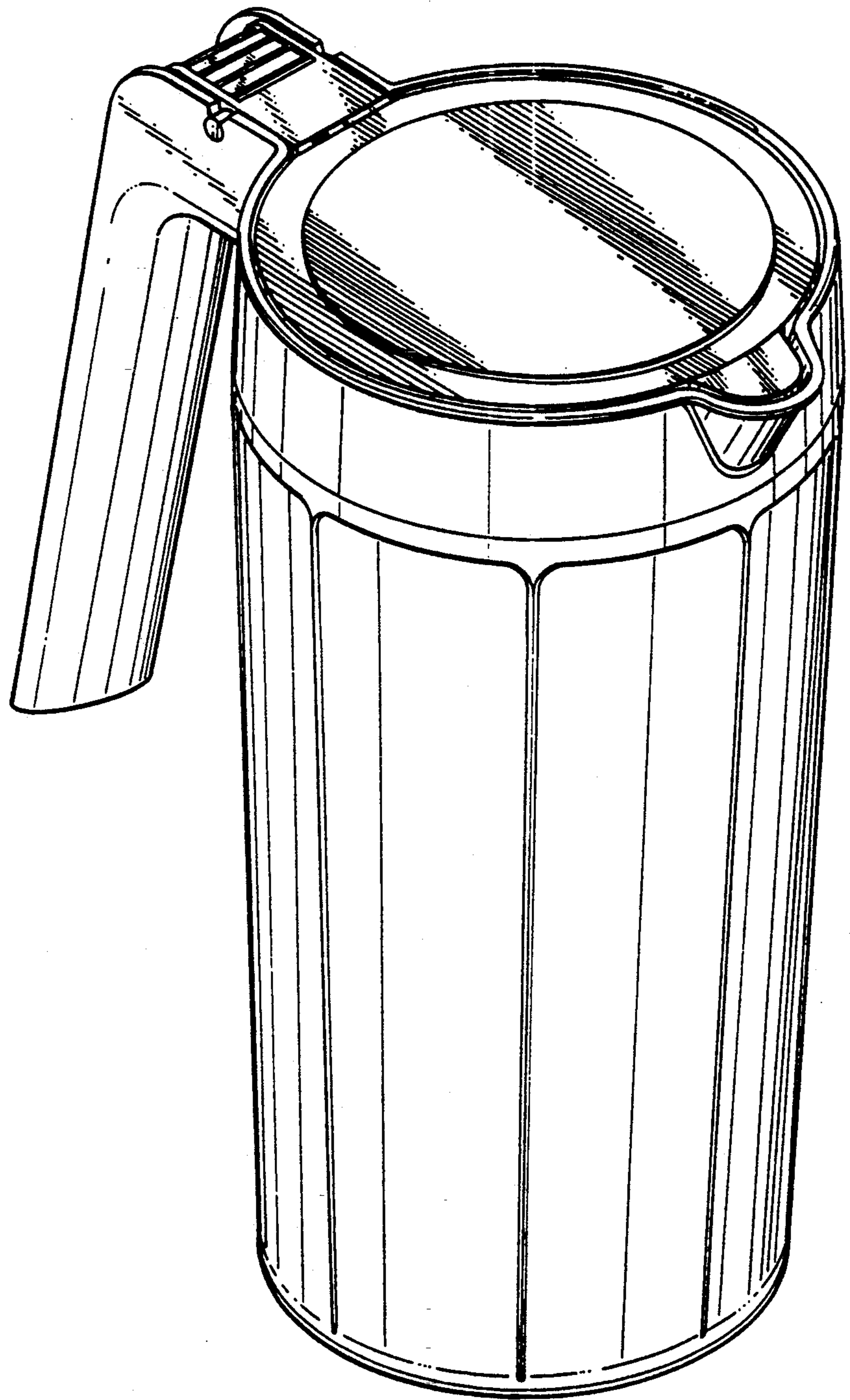


FIG. 1

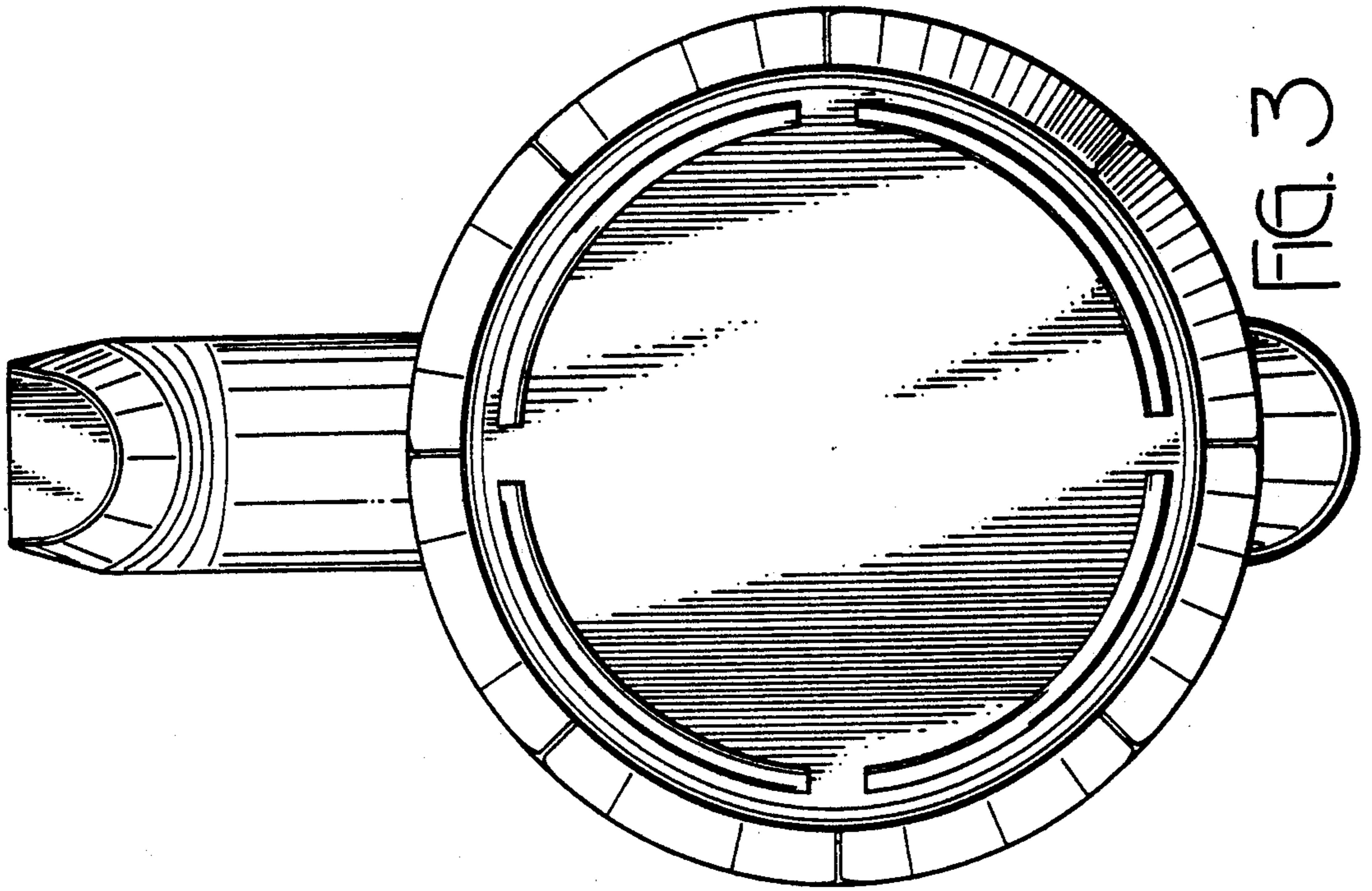


FIG. 3

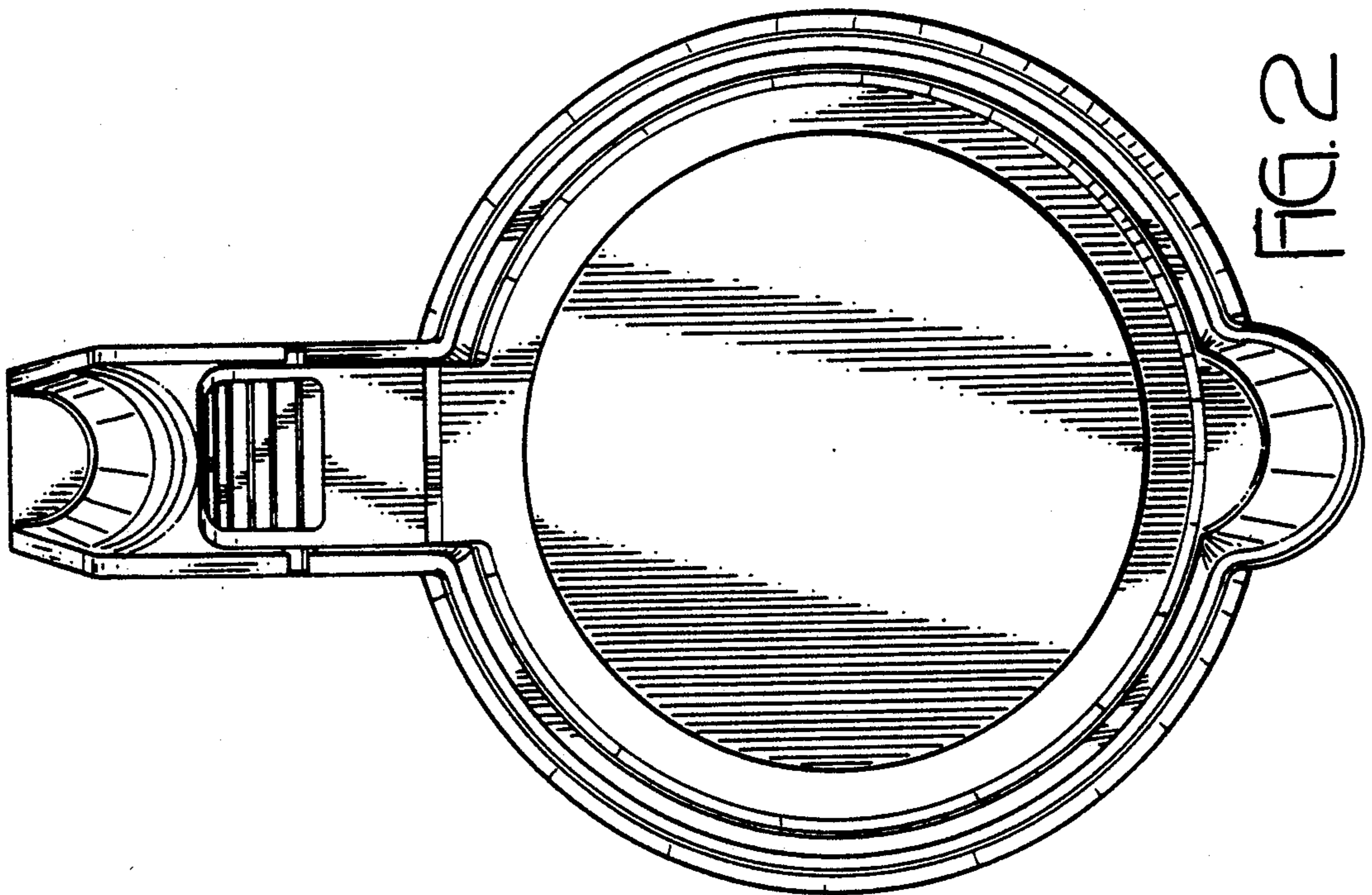


FIG. 2

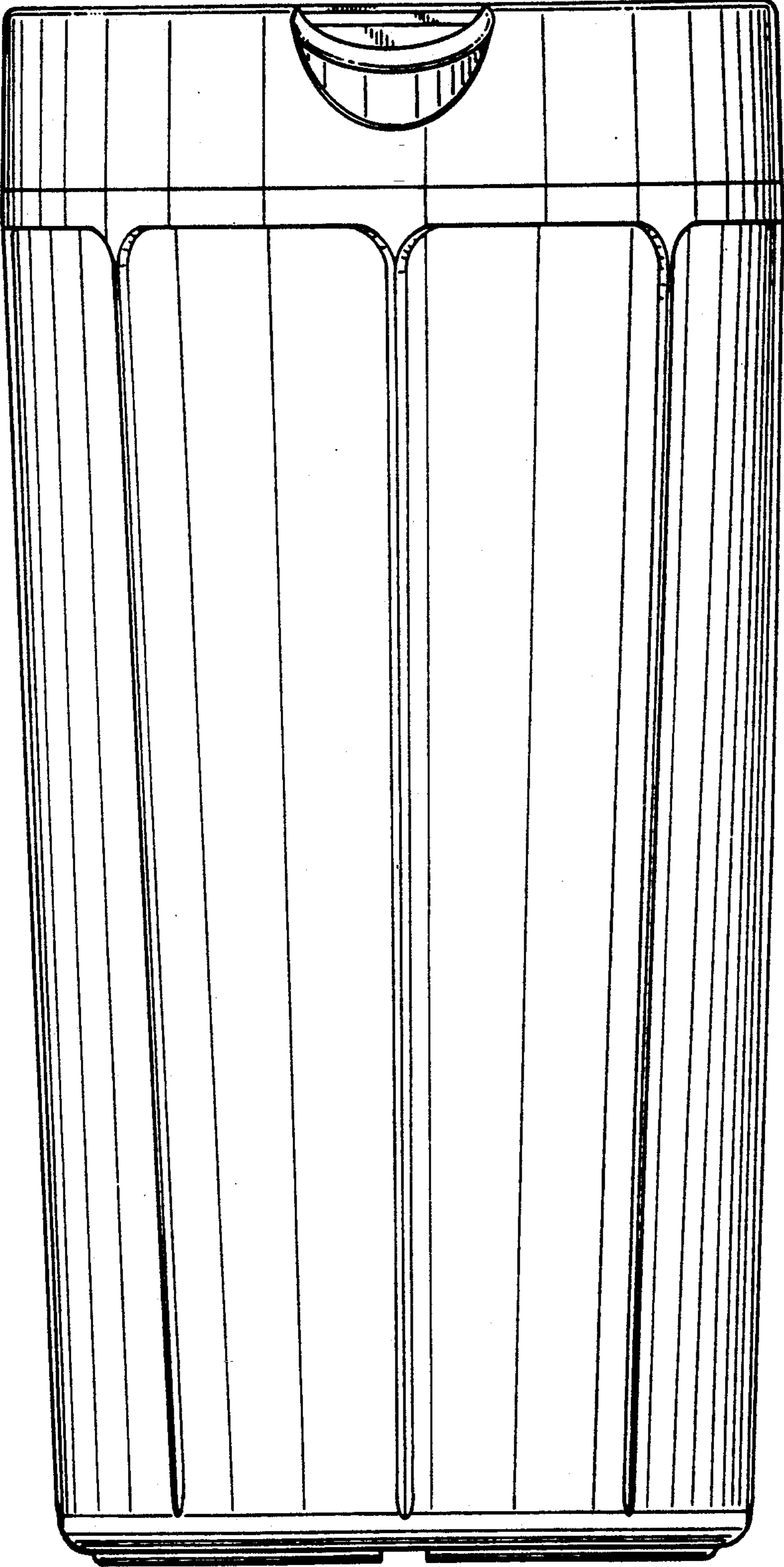


FIG. 4

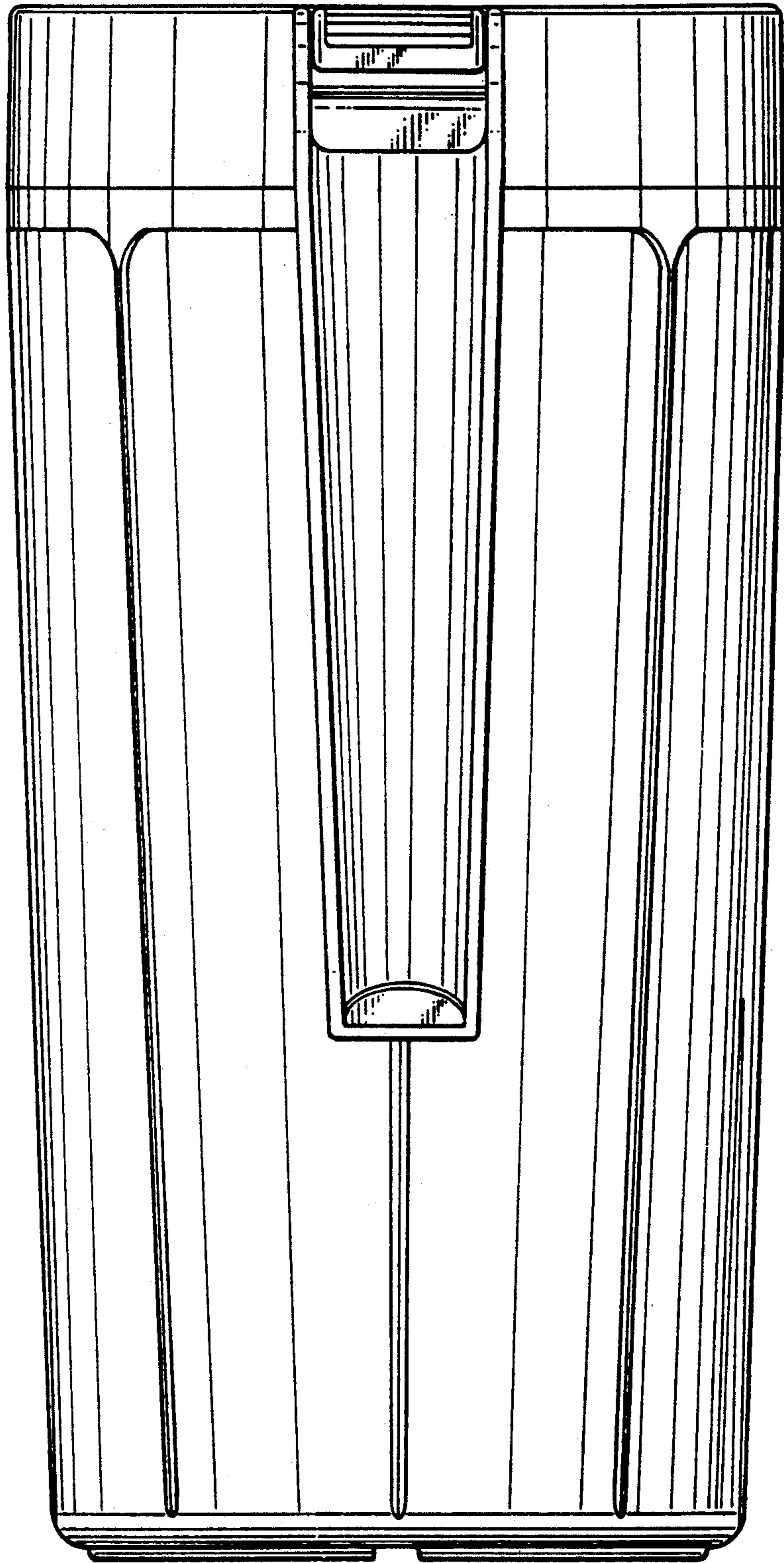


FIG. 5

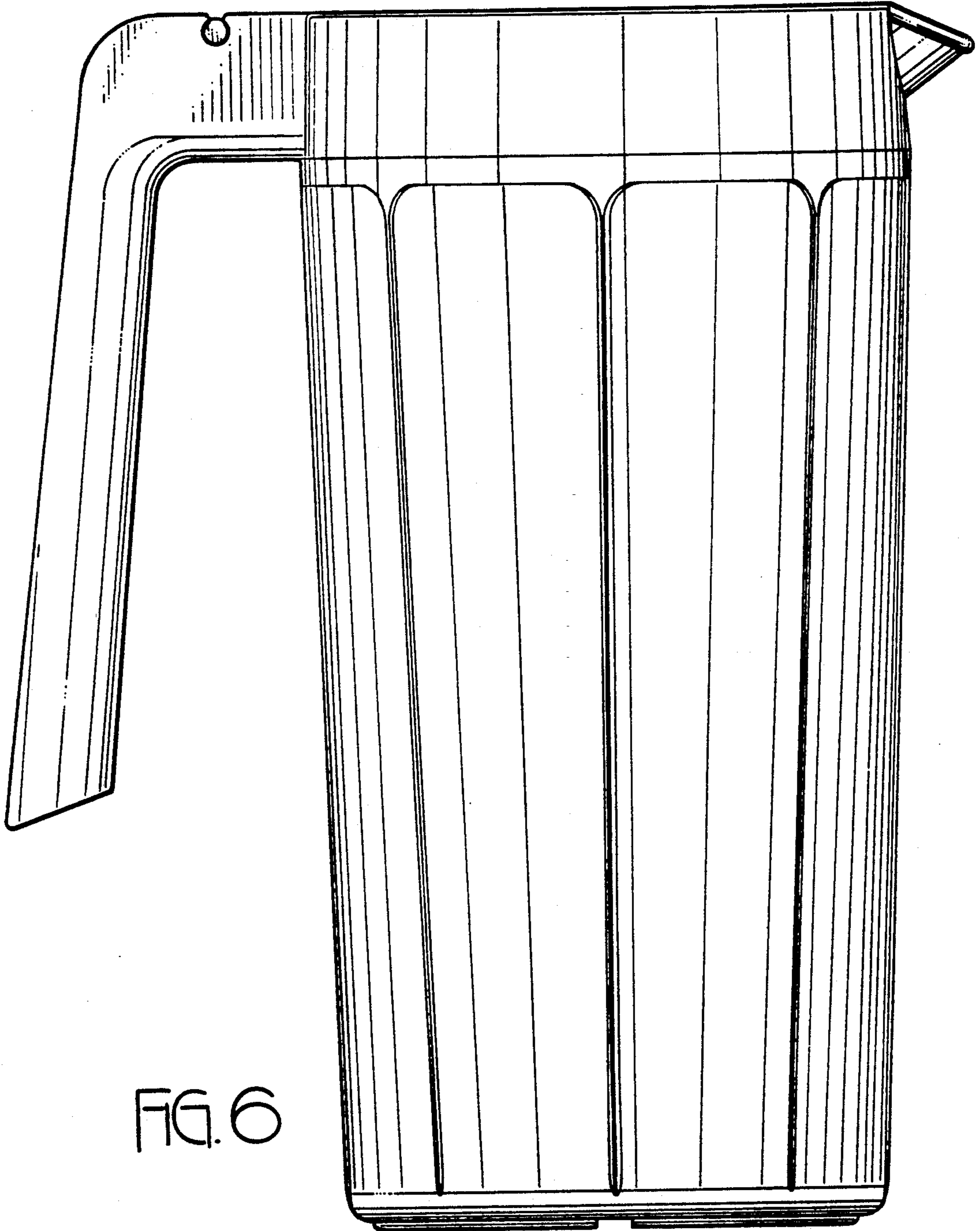


FIG. 6